



# InnoTech Atira

Double-walled drawer system

  
**Hettich**

# InnoTech Atira double walled drawer system



## Every day, every place

The InnoTech Atira drawer system is a globally popular double-walled drawer that is the cost-efficient and practical choice for any project.

The classic, square, side-and-rail drawer sides can be paired with a comprehensive range of interior organisation and is suitable for both indoor and outdoor applications.



## Perfected movement

Built to move on the Quadro runner with both full and partial extension options, the smooth sliding has been refined to perfection over 30 years.



## Effortlessly handleless

The convenient Push to open Silent function opens the drawer in response to a light press while closing it again in a gently controlled action.



## Indoor and outdoor

The Atira platform is compatible with two different drawer runners with equivalently smooth movement - one for indoor cabinetry and one for outside.



# InnoTech Atira double walled drawer system

► Range summary

► Powder coated steel, silver / white / anthracite



Drawer, height 54 mm

6



Drawer, height 70 mm

8



Pot-and-pan drawer with railing, height 144 mm

12



Pot-and-pan drawer with railing, height 176 mm

18



Internal drawer accessories

24



Quadro drawer runners  
Range summary

27



Push to open Silent

40



Other accessories

42



Interior organisation system  
Range summary

46



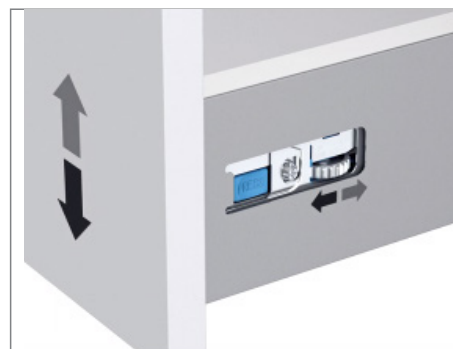
Waste systems behind front panels  
Range summary

56



Assembly aids / jigs

68



Installation / adjustment

73



### InnoTech Atira system components

#### Basic components

- 1 Drawer side profile, left and right
- 2 Drawer front connector for drawer side profile
- 3 Rear panel connector
- 4 Cover caps
- 5 Lengthwise railing
- 6 Drawer front connector for lengthwise railing
- 7 TopSide adapter
- 8 TopSide in glass
- 9 TopSide in metal
- 10 Adapter for lengthwise railing

#### Front panel options

- 15 Front panel for internal drawer / internal pot-and-pan drawer
- 16 Aluminium front
- 17 Railing for aluminium front panel
- 18 Connector for aluminium front panel
- 19 Follower for internal front panel
- 20 Front stabiliser

#### Drawer runners

- 23 Quadro drawer runners

#### Wooden elements cut to size

- A Front panel
- B Bottom panel
- C Wooden rear panel
- D TopSide - for use in any chosen material

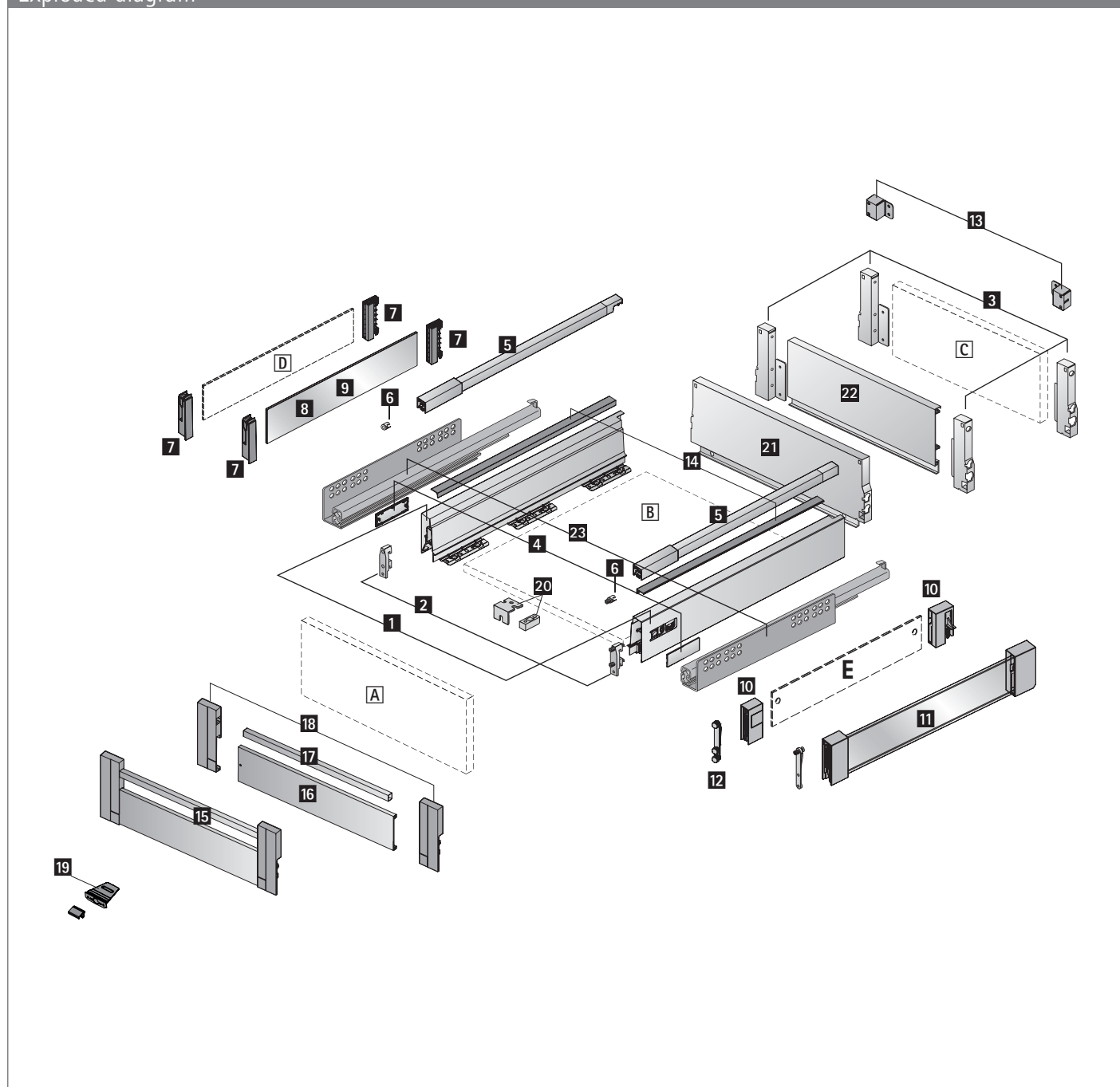


# InnoTech Atira double walled drawer system

## ► Exploded drawing / overview of components



Exploded diagram



# InnoTech Aтира double walled drawer system

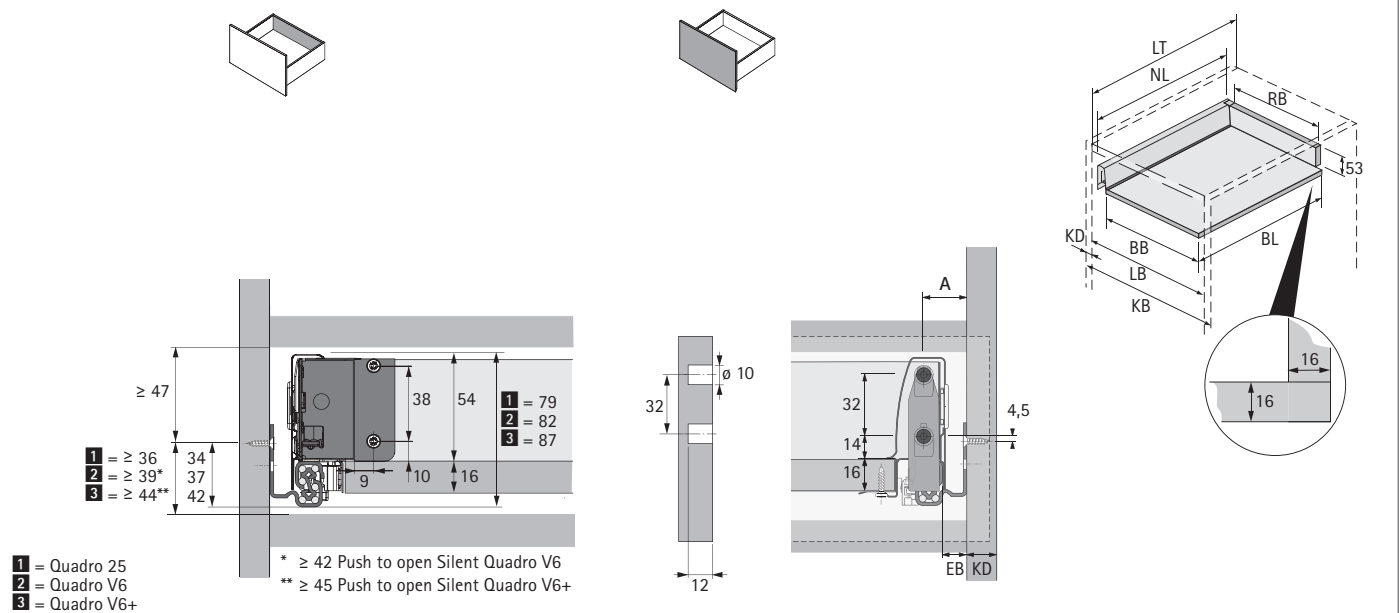
- ▶ Drawer height 54 mm
- ▶ Powder coated steel, silver / white



## Useful Information:

- ▶ 54mm drawers do not come in sets. Quadro runners will need to be ordered separately.
- ▶ Only available in silver and white colours.

## Planning / installation dimensions



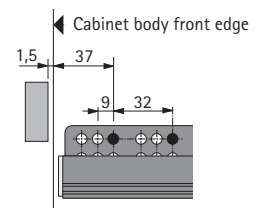
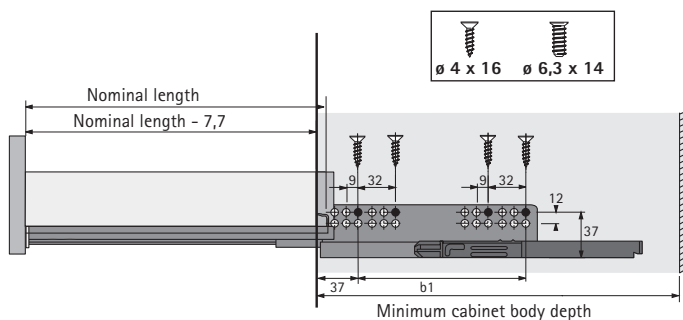
BB Bottom panel width	RB Rear panel width	LB Clear inside width
BL Bottom panel length	NL Nominal length	LT Clear inside depth
KB Cabinet body width	KD Cabinet body side thicknesses	EB Installation width

KD	16
EB	12,5
A	23

Dimension	mm
BL	NL + 10
BB	LB - 2 x EB - 51,5
RB	LB - 2 x EB - 63

## Positions for attaching Quadro V6 drawer runner

Nominal length mm	Hole spacing b1 mm
260	160
300	160
350	160
420	224
470	256
520	256



**Note:**  
For further information, please refer to the chapter on drawer runners.



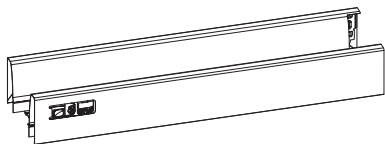
# InnoTech Atira double walled drawer system

- ▶ Drawer height 54 mm
- ▶ Powder coated steel, silver / white

## Individual components

Note: The colour anthracite is not available in 54mm height.

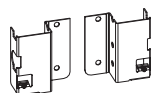
### Drawer side profile, height 54 mm



- ▶ Integrated vertical and lateral adjustment
- ▶ Steel, powder coated

Nominal length mm	Order no. / surface finish / cabinet side				PU
	silver		white		
	left	right	left	right	
470	1 063 801	1 063 802	9 194 432	9 194 433	1/18 ea.

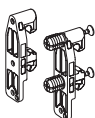
### Rear panel connectors



- ▶ Powder coated steel

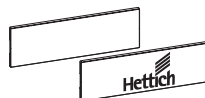
Nominal height mm	Order no. / surface finish / cabinet side				PU
	silver		white		
	left	right	left	right	
54	9 003 473	9 003 474	9 194 623	9 194 624	1/40 ea.

### Drawer front connector for drawer side profile



- ▶ Plastic, white

### Cover caps



- ▶ Plastic

Mounting option	Order no.	PU
for screwing on	1 065 191	1/400 ea.
with expanding socket	1 061 450	1/400 ea.

System colour	Finish	Order no.	PU
silver	grey with Hettich logo	9 194 646	1/300 ea.
silver	grey	9 194 643	1/300 ea.
silver	chrome look with Hettich logo	9 194 652	1/300 ea.
silver	chrome look	9 194 649	1/300 ea.
white	white with Hettich logo	9 194 647	1/300 ea.
white	white	9 194 644	1/300 ea.
white	chrome look with Hettich logo	9 194 653	1/300 ea.
white	chrome look	9 194 650	1/300 ea.

### Useful Information

- |                                      |         |                              |         |
|--------------------------------------|---------|------------------------------|---------|
| ▶ Quadro drawer runners              | 27 - 41 | ▶ Installation / Adjustments | 73 - 82 |
| ▶ Push to open Silent opening system | 40 - 41 | ▶ Quality criteria           | 83      |
| ▶ Other accessories                  | 42 - 45 |                              |         |



[hettich.com/short/6077da](https://hettich.com/short/6077da)

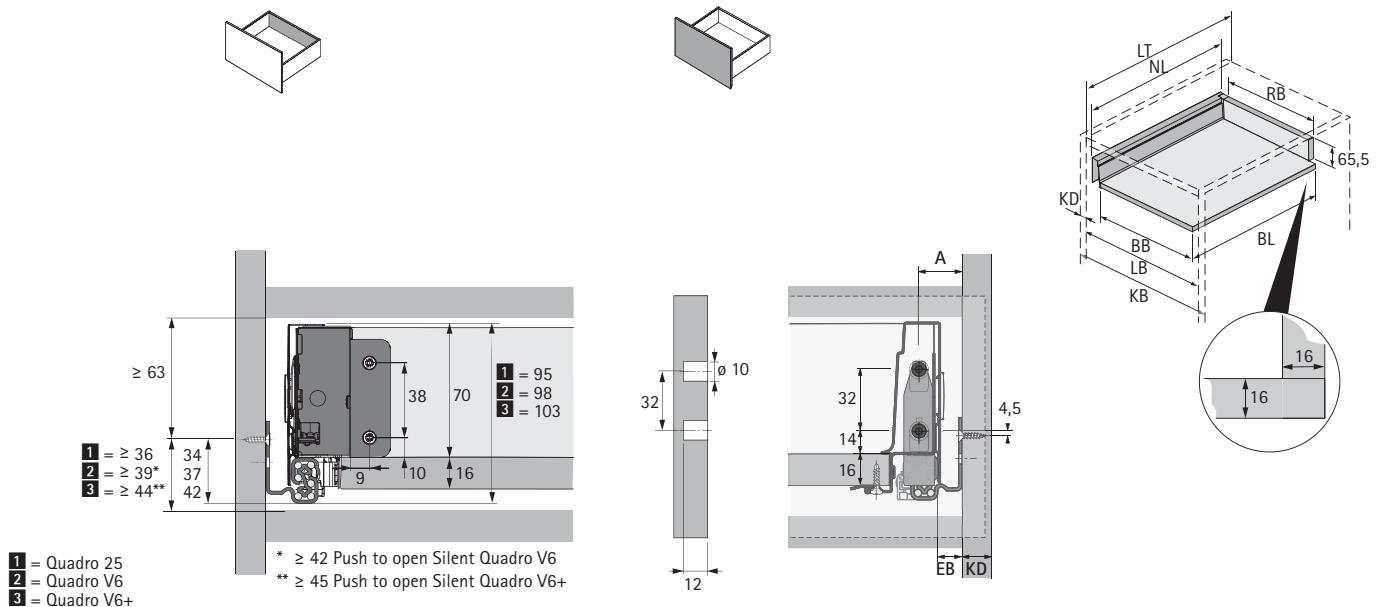


# InnoTech Aтира double walled drawer system

- ▶ Drawer height 70 mm
- ▶ Powder coated steel, silver / white / anthracite

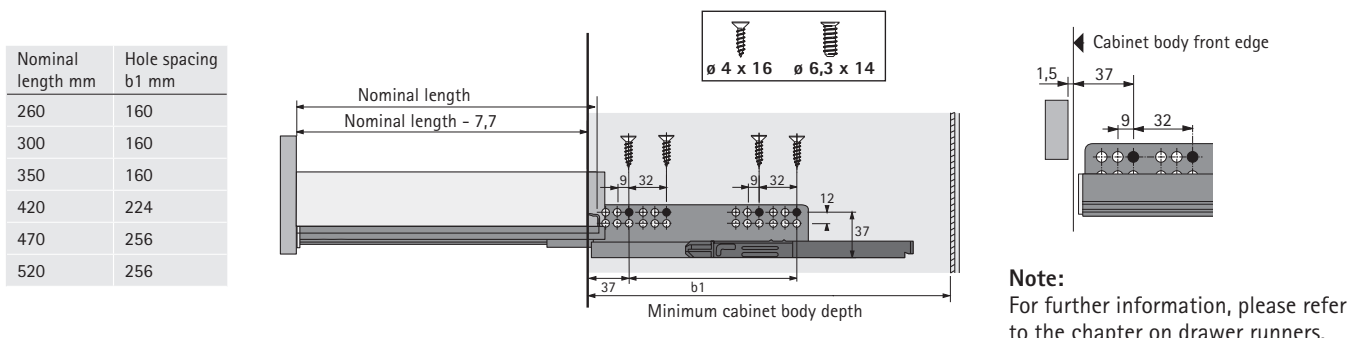


## Planning / installation dimensions



Dimension		mm
BB Bottom panel width	RB Rear panel width	LB Clear inside width
BL Bottom panel length	NL Nominal length	LT Clear inside depth
KB Cabinet body width	KD Cabinet body side thicknesses	EB Installation width
	A	
	KD	16
	EB	12,5
	A	23
	BL	NL + 10
	BB	LB - 2 x EB - 51,5
	RB	LB - 2 x EB - 63

## Positions for attaching Quadro V6 drawer runner



# InnoTech Atira double walled drawer system

- ▶ **Drawer height 70 mm**
- ▶ **Powder coated steel, silver / white / anthracite**

## Single drawer sets excluding runners, individual packaging

All components below come packaged in a single / kit box.

Set comprises:

- ▶ **1** 1 Drawer side profile, left and right
- ▶ **2** 2 Drawer front connectors for drawer side profile with expanding dowel
- ▶ **3** 2 Cover caps, grey plastic with Hettich logo
- ▶ **6** 1 Lengthwise railing, left and right
- ▶ **5** 2 Drawer front connectors for lengthwise railing with expanding dowel
- ▶ **9** 1 Rear panel connector, left and right

Note: Drawer runners are not included in single drawer sets and will need to be purchased separately. The corresponding sets are highlighted on pages 30 - 32. The colour silver is not available in single drawer sets.

Nominal length mm	Order no.		PU	
	Drawer without Quadro	White		Anthracite
260		9 319 122	9 319 114	1 set
300		9 319 123	9 319 115	1 set
350		9 319 124	9 319 116	1 set
420		9 319 125	9 319 118	1 set
470		9 319 126	9 319 119	1 set
520		9 319 127	9 319 120	1 set

## All inclusive sets, bulk packaging

The product codes below act as an ordering shortcut, allowing you to use one code to purchase all the components required as a 'virtual set'. The components will come packaged in separate boxes in 'bulk' order quantities (the quantity is defined in the minimum order quantity column of the table below).

Set comprises:

- ▶ **1** 1 Drawer side profile, left and right
- ▶ **2** 2 Drawer front connectors with expanding dowel
- ▶ **3** 2 Cover caps, grey plastic with Hettich logo
- ▶ **7** 1 Rear panel connector, left and right
- ▶ **Optional: 4** 1 Drawer runner Quadro V6 with Silent System, left and right **or** for sets without Quadro.

Note: The colour anthracite is not available in virtual sets. Anthracite should be purchased as a single drawer set.

Nominal length mm	Order no.				Minimum order quantity
	Drawer with Quadro - Silver	Drawer with-out Quadro - Silver	Drawer with Quadro - White	Drawer with-out Quadro - White	
260	9 364 717	9 364 760	9 364 719	9 364	18 sets
300	9 364 718	9 364 761	9 364 720	9 364	18 sets
350	9 360 255	9 364 762	9 360 240	9 364	18 sets
420	9 360 256	9 364 763	9 360 242	9 364	18 sets
470	9 360 257	9 364 764	9 360 243	9 364	18 sets
520	9 360 259	9 364 765	9 360 244	9 364	18 sets
620		9 364 766		9 364	18 sets





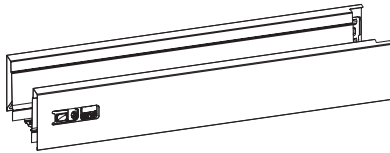
# InnoTech Atira double walled drawer system

- ▶ Drawer height 70 mm
- ▶ Powder coated steel, silver / white

## Individual components

Note: The colour anthracite is not available in individual components. Anthracite should be purchased as a single drawer set.

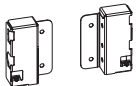
### Drawer side profile, height 70 mm



- ▶ Integrated vertical and lateral adjustment
- ▶ Steel, powder coated

Nominal length mm	Order no. / surface finish / cabinet side				PU
	silver		white		
	left	right	left	right	
260	9 194 390	9 194 391	9 194 404	9 194 405	1/18 ea.
300	9 194 392	9 194 393	9 194 406	9 194 407	1/18 ea.
350	9 194 394	9 194 395	9 194 408	9 194 409	1/18 ea.
420	9 194 396	9 194 397	9 194 410	9 194 411	1/18 ea.
470	9 194 398	9 194 399	9 194 412	9 194 413	1/18 ea.
520	9 194 400	9 194 401	9 194 414	9 194 415	1/18 ea.
620	9 194 402	9 194 403	9 194 416	9 194 417	1/18 ea.

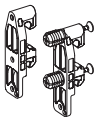
### Rear panel connectors



- ▶ Powder coated steel

Nominal height mm	Order no. / surface finish / cabinet side				PU
	silver		white		
	left	right	left	right	
70	1 062 501	1 062 502	9 194 627	9 194 628	1/40 ea.

### Drawer front connector for drawer side profile



- ▶ Plastic, white

Mounting option	Order no.	PU
for screwing on	1 065 191	1/400 ea.
with expanding socket	1 061 450	1/400 ea.

### Useful Information

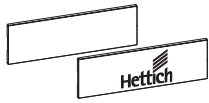
- |                                      |         |                              |         |
|--------------------------------------|---------|------------------------------|---------|
| ▶ Quadro drawer runners              | 27 - 41 | ▶ Installation / Adjustments | 73 - 82 |
| ▶ Push to open Silent opening system | 40 - 41 | ▶ Quality criteria           | 83      |
| ▶ Other accessories                  | 42 - 45 |                              |         |



# InnoTech Atira double walled drawer system

- ▶ Drawer height 70 mm
- ▶ Powder coated steel, silver / white

## Cover caps



▶ Plastic

System colour	Finish	Order no.	PU
silver	grey with Hettich logo	<b>9 194 646</b>	1/300 ea.
silver	grey	<b>9 194 643</b>	1/300 ea.
silver	chrome look with Hettich logo	<b>9 194 652</b>	1/300 ea.
silver	chrome look	<b>9 194 649</b>	1/300 ea.
white	white with Hettich logo	<b>9 194 647</b>	1/300 ea.
white	white	<b>9 194 644</b>	1/300 ea.
white	chrome look with Hettich logo	<b>9 194 653</b>	1/300 ea.
white	chrome look	<b>9 194 650</b>	1/300 ea.

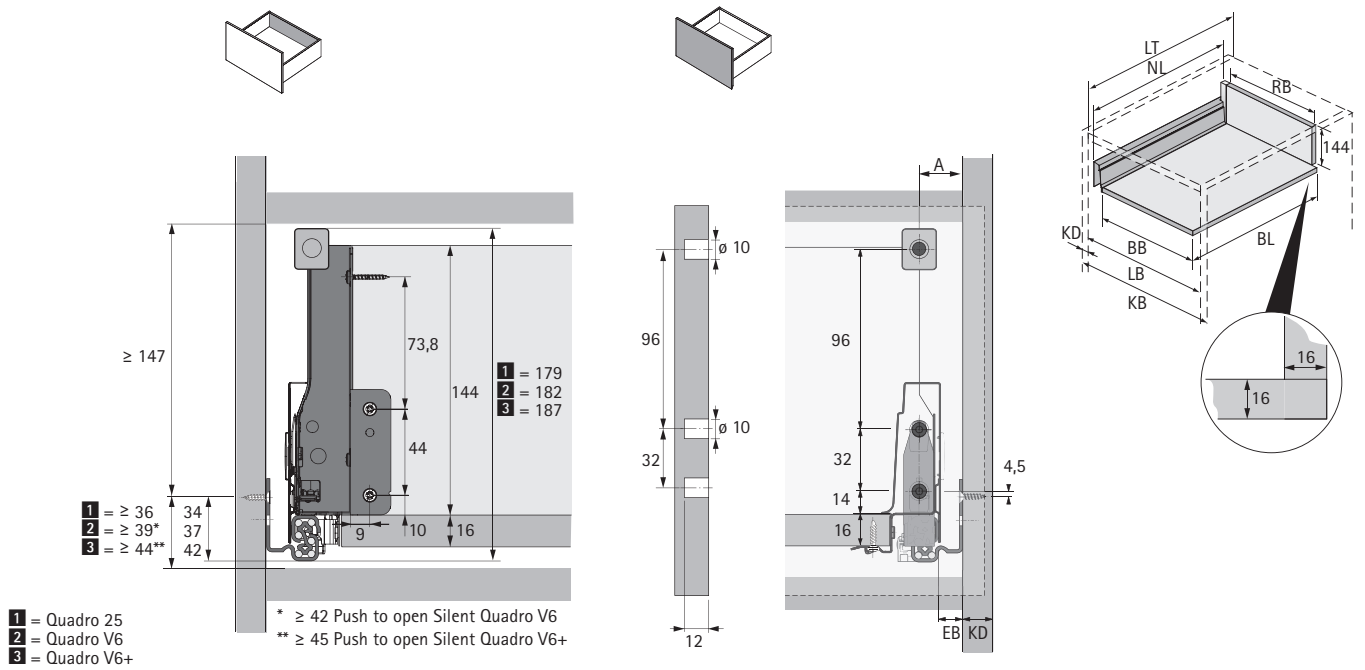


# InnoTech Atira double walled drawer system

- ▶ Pot-and-pan drawer with railing, height 144 mm
- ▶ Powder coated steel, silver / white / anthracite



## Planning / installation dimensions



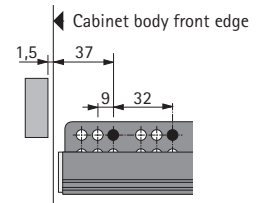
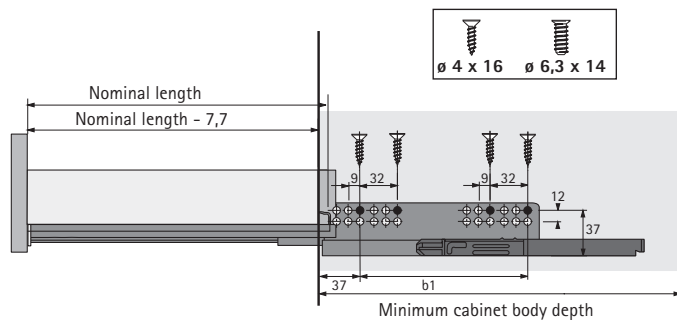
BB Bottom panel width	RB Rear panel width	LB Clear inside width
BL Bottom panel length	NL Nominal length	LT Clear inside depth
KB Cabinet body width	KD Cabinet body side thicknesses	EB Installation width

KD	16
EB	12,5
A	23

Dimension	mm
BL	NL + 10
BB	LB - 2 x EB - 51,5
RB	LB - 2 x EB - 63

## Positions for attaching Quadro V6 drawer runner

Nominal length mm	Hole spacing b1 mm
260	160
300	160
350	160
420	224
470	256
520	256



**Note:**  
For further information, please refer to the chapter on drawer runners.



# InnoTech Atira double walled drawer system

- ▶ Pot-and-pan drawer with railing, height 144 mm
- ▶ Powder coated steel, silver / white / anthracite

## Single drawer sets excluding runners, individual packaging

All components below come packaged in a single / kit box.

Set comprises:

- ▶ **1** 1 Drawer side profile, left and right
- ▶ **2** 2 Drawer front connectors for drawer side profile with expanding dowel
- ▶ **3** 2 Cover caps, colour matched to drawer colour
- ▶ **6** 1 Lengthwise railing, left and right
- ▶ **5** 2 Drawer front connectors for lengthwise railing with expanding dowel
- ▶ **9** 1 Rear panel connector, left and right

Note: Drawer runners are not included in single drawer sets and will need to be purchased separately. The corresponding sets are highlighted on pages 30 - 32. The colour silver is not available in single drawer sets.

Nominal length mm	Order no.		PU
	Pot-and-pan drawer without Quadro White	Anthracite	
260	9 319 148	9 319 141	1 set
300	9 319 149	9 319 142	1 set
350	9 319 150	9 319 143	1 set
420	9 319 151	9 319 144	1 set
470	9 319 152	9 319 145	1 set
520	9 319 153	9 319 146	1 set

## All inclusive sets, bulk packaging

The product codes below act as an ordering shortcut, allowing you to use one code to purchase all the components required as a 'virtual set'. The components will come packaged in separate boxes in 'bulk' order quantities (the quantity is defined in the minimum order quantity column of the table below).

Set comprises:

- ▶ **1** 1 Drawer side profile, left and right
- ▶ **2** 2 Drawer front connectors for drawer side profile with expanding dowel
- ▶ **3** 2 Cover caps, colour matched to drawer colour
- ▶ **6** 1 Lengthwise railing, left and right
- ▶ **5** 2 Drawer front connectors for lengthwise railing with expanding dowel
- ▶ **9** 1 Rear panel connector, left and right
- ▶ **Optional:** **4** 1 Drawer runner Quadro V6 with Silent System, left and right or for sets without Quadro

Note: The colour anthracite is not available in virtual sets. Anthracite should be purchased as a single drawer set.

Nominal length mm	Order no.				Minimum order quantity
	Pot-and-pan drawer with Quadro - Silver	Pot-and-pan drawer with-out Quadro - Silver	Pot-and-pan drawer with Quadro - White	Pot-and-pan drawer with-out Quadro - White	
260	9 364 721	9 364 774	9 364 723	9 364 781	18 sets
300	9 364 722	9 364 775	9 364 755	9 364 782	18 sets
350	9 360 260	9 364 776	9 360 245	9 364 783	18 sets
420	9 360 261	9 364 777	9 360 246	9 364 784	18 sets
470	9 360 262	9 364 778	9 360 247	9 364 785	18 sets
520	9 360 263	9 364 779	9 360 249	9 364 786	18 sets
620		9 364 780		9 364 787	18 sets



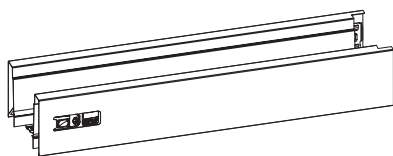
# InnoTech Atira double walled drawer system

- ▶ Pot-and-pan drawer with railing, height 144 mm
- ▶ Powder coated steel, silver / white

## Individual components

Note: The colour anthracite is not available in individual components. Anthracite should be purchased as a single drawer set.

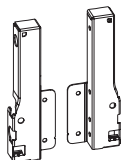
### Drawer side profile, height 70 mm



- ▶ Integrated vertical and lateral adjustment
- ▶ Steel, powder coated

Nominal length mm	Order no. / surface finish / cabinet side				PU
	silver		white		
	left	right	left	right	
260	9 194 390	9 194 391	9 194 404	9 194 405	1/18 ea.
300	9 194 392	9 194 393	9 194 406	9 194 407	1/18 ea.
350	9 194 394	9 194 395	9 194 408	9 194 409	1/18 ea.
420	9 194 396	9 194 397	9 194 410	9 194 411	1/18 ea.
470	9 194 398	9 194 399	9 194 412	9 194 413	1/18 ea.
520	9 194 400	9 194 401	9 194 414	9 194 415	1/18 ea.
620	9 194 402	9 194 403	9 194 416	9 194 417	1/18 ea.

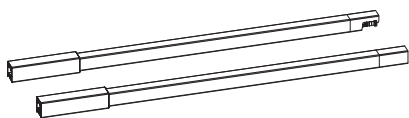
### Rear panel connectors



- ▶ Powder coated steel

Nominal height mm	Order no. / surface finish / cabinet side				PU
	silver		white		
	left	right	left	right	
144	9 007 355	9 007 356	9 194 635	9 194 636	1/40 ea.

### Lengthwise railing



- ▶ Powder coated steel

Nominal length mm	Order no. / surface finish / cabinet side				PU
	silver		white		
	left	right	left	right	
260	9 194 522	9 194 523	9 194 536	9 194 537	1/80 ea.
300	9 194 524	9 194 525	9 194 538	9 194 539	1/80 ea.
350	9 194 526	9 194 527	9 194 540	9 194 541	1/80 ea.
420	9 194 528	9 194 529	9 194 542	9 194 543	1/80 ea.
470	9 194 530	9 194 531	9 194 544	9 194 545	1/80 ea.
520	9 194 532	9 194 533	9 194 546	9 194 547	1/80 ea.
620	9 194 534	9 194 535	9 194 548	9 194 549	1/80 ea.

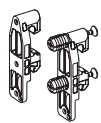




# InnoTech Atira double walled drawer system

- ▶ Pot-and-pan drawer with railing, height 144 mm
- ▶ Powder coated steel, silver / white

## Drawer front connector for drawer side profile



▶ Plastic, white

Mounting option	Order no.	PU
for screwing on	<b>1 065 191</b>	1/400 ea.
with expanding socket	<b>1 061 450</b>	1/400 ea.

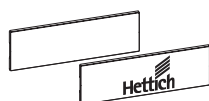
## Drawer front connector for lengthwise railing



▶ Plastic, white

Mounting option	Order no.	PU
for screwing on	<b>9 002 503</b>	1/400 ea.
with expanding socket	<b>1 061 965</b>	1/400 ea.

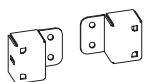
## Cover caps



▶ Plastic

System colour	Finish	Order no.	PU
silver	grey with Hettich logo	<b>9 194 646</b>	1/300 ea.
silver	grey	<b>9 194 643</b>	1/300 ea.
silver	chrome look with Hettich logo	<b>9 194 652</b>	1/300 ea.
silver	chrome look	<b>9 194 649</b>	1/300 ea.
white	white with Hettich logo	<b>9 194 647</b>	1/300 ea.
white	white	<b>9 194 644</b>	1/300 ea.
white	chrome look with Hettich logo	<b>9 194 653</b>	1/300 ea.
white	chrome look	<b>9 194 650</b>	1/300 ea.

## Adapter for lengthwise railing



- ▶ For using a freely positionable lengthwise railing
- ▶ Suitable for use on left or right
- ▶ For drilling dimensions refer to page 74

Order no. / colour		PU
grey	white	
<b>9 206 256</b>	<b>9 206 257</b>	1/80 ea.

## Useful Information

▶ Quadro drawer runners	27 - 41	▶ Installation / Adjustments	73 - 82
▶ Push to open Silent opening system	40 - 41	▶ Quality criteria	83
▶ Other accessories	42 - 45		



# InnoTech Atira double walled drawer system

- ▶ Topside for Pot-and-pan drawer with railing, height 144 mm
- ▶ Powder coated steel, silver / white

## TopSide in metal



- ▶ **7** TopSide adapters must be ordered separately

Set comprises:

- ▶ 2 TopSides

Nominal length mm	Order no. / surface finish		PU
	silver	white	
260	9 194 677	9 194 684	1 set
300	9 194 678	9 194 685	1 set
350	9 194 679	9 194 686	1 set
420	9 194 680	9 194 687	1 set
470	9 194 681	9 194 688	1 set
520	9 194 682	9 194 689	1 set
620	9 194 683	9 194 690	1 set

## TopSide in glass



- ▶ **7** TopSide adapters must be ordered separately
- ▶ Float glass, clear

Set comprises:

- ▶ 2 TopSides

Nominal length mm	Order no.	PU
260	9 194 663	1 set
300	9 194 664	1 set
350	9 194 665	1 set
420	9 194 666	1 set
470	9 194 667	1 set
520	9 194 668	1 set
620	9 194 669	1 set

## TopSide Adaptor



- ▶ For using the **8** TopSide in glass, **9** TopSide in metal or TopSide in any chosen materials
- ▶ Plastic

Set comprises:

- ▶ 1 adaptor, front, left and right
- ▶ 1 adaptor, rear, left and right

Order no. / colour		PU
grey	white	
9 194 657	9 194 658	1 set



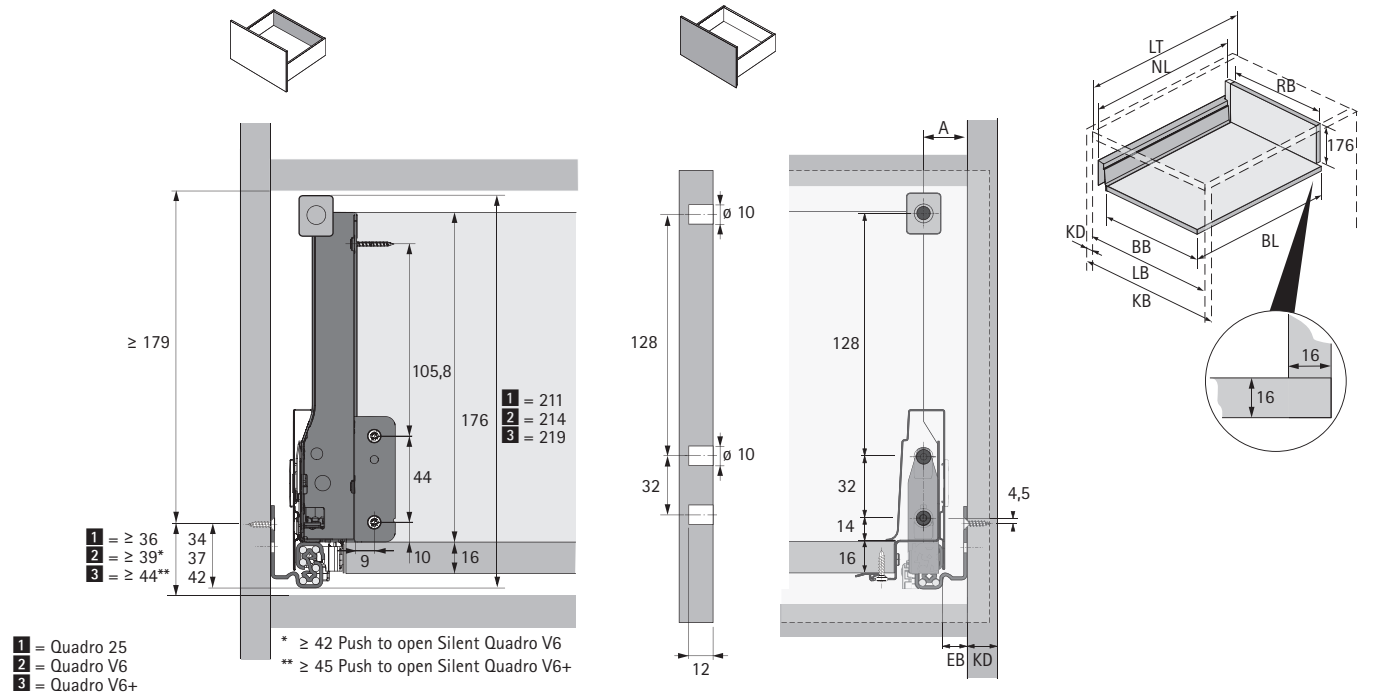


# InnoTech Atira double walled drawer system

- ▶ Pot-and-pan drawer with railing, height 176 mm
- ▶ Powder coated steel, silver / white / anthracite



## Planning / installation dimensions



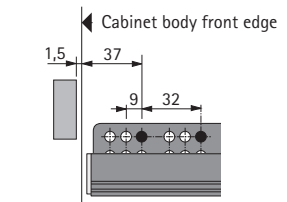
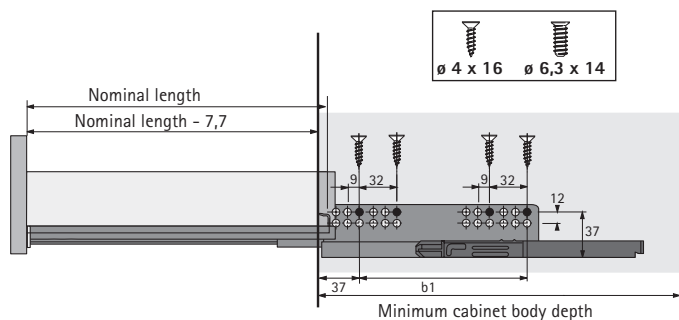
BB Bottom panel width	RB Rear panel width	LB Clear inside width
BL Bottom panel length	NL Nominal length	LT Clear inside depth
KB Cabinet body width	KD Cabinet body side thicknesses	EB Installation width

KD	16
EB	12,5
A	23

Dimension	mm
BL	NL + 10
BB	LB - 2 x EB - 51,5
RB	LB - 2 x EB - 63

## Positions for attaching Quadro V6 drawer runner

Nominal length mm	Hole spacing b1 mm
260	160
300	160
350	160
420	224
470	256
520	256



**Note:**  
For further information, please refer to the chapter on drawer runners.



# InnoTech Atira double walled drawer system

- ▶ Pot-and-pan drawer with railing, height 176 mm
- ▶ Powder coated steel, silver / white / anthracite

## Single drawer sets excluding runners, individual packaging

All components below come packaged in a single / kit box.

Set comprises:

- ▶ **1** 1 Drawer side profile, left and right
- ▶ **2** 2 Drawer front connectors for drawer side profile with expanding dowel
- ▶ **3** 2 Cover caps, colour matched to drawer colour
- ▶ **6** 1 Lengthwise railing, left and right
- ▶ **5** 2 Drawer front connectors for lengthwise railing with expanding dowel
- ▶ **9** 1 Rear panel connector, left and right

Note: Drawer runners are not included in single drawer sets and will need to be purchased separately. The corresponding sets are highlighted on pages 30 - 32. The colour silver is not available in single drawer sets.

Nominal length mm	Order no.		PU
	Pot-and-pan drawer without Quadro White	Anthracite	
260	9 319 169	9 319 162	1 set
300	9 319 170	9 319 163	1 set
350	9 319 171	9 319 164	1 set
420	9 319 172	9 319 165	1 set
470	9 319 173	9 319 166	1 set
520	9 319 174	9 319 167	1 set

## All inclusive sets, bulk packaging

The product codes below act as an ordering shortcut, allowing you to use one code to purchase all the components required as a 'virtual set'. The components will come packaged in separate boxes in 'bulk' order quantities (the quantity is defined in the minimum order quantity column of the table below).

Set comprises:

- ▶ **1** 1 Drawer side profile, left and right
- ▶ **2** 2 Drawer front connectors for drawer side profile with expanding dowel
- ▶ **3** 2 Cover caps, colour matched to drawer colour
- ▶ **6** 1 Lengthwise railing, left and right
- ▶ **5** 2 Drawer front connectors for lengthwise railing with expanding dowel
- ▶ **9** 1 Rear panel connector, left and right
- ▶ **Optional: 4** 1 Drawer runner Quadro V6 with Silent System, left and right **or** for sets without Quadro

Note: The colour anthracite is not available in virtual sets. Anthracite should be purchased as a single drawer set.

Nominal length mm	Order no.				Minimum order quantity
	Pot-and-pan drawer with Quadro - Silver	Pot-and-pan drawer with-out Quadro - Silver	Pot-and-pan drawer with Quadro - White	Pot-and-pan drawer with-out Quadro - White	
260	9 364 756	9 364 788	9 364 758	9 364 795	18 sets
300	9 364 757	9 364 789	9 364 759	9 364 796	18 sets
350	9 360 264	9 364 790	9 360 250	9 364 797	18 sets
420	9 360 265	9 364 791	9 360 251	9 364 798	18 sets
470	9 360 266	9 364 792	9 360 252	9 364 799	18 sets
520	9 360 267	9 364 793	9 360 253	9 364 800	18 sets
620		9 364 794		9 364 801	18 sets





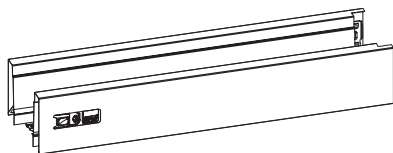
# InnoTech Atira double walled drawer system

- ▶ Pot-and-pan drawer with railing, height 176 mm
- ▶ Powder coated steel, silver / white

## Individual components

Note: The colour anthracite is not available in individual components. Anthracite should be purchased as a single drawer set.

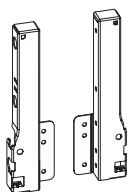
### Drawer side profile, height 70 mm



- ▶ Integrated vertical and lateral adjustment
- ▶ Steel, powder coated

Nominal length mm	Order no. / surface finish / cabinet side				PU
	silver		white		
	left	right	left	right	
260	9 194 390	9 194 391	9 194 404	9 194 405	1/18 ea.
300	9 194 392	9 194 393	9 194 406	9 194 407	1/18 ea.
350	9 194 394	9 194 395	9 194 408	9 194 409	1/18 ea.
420	9 194 396	9 194 397	9 194 410	9 194 411	1/18 ea.
470	9 194 398	9 194 399	9 194 412	9 194 413	1/18 ea.
520	9 194 400	9 194 401	9 194 414	9 194 415	1/18 ea.
620	9 194 402	9 194 403	9 194 416	9 194 417	1/18 ea.

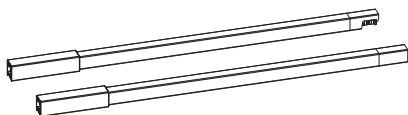
### Rear panel connectors



- ▶ Powder coated steel

Nominal height mm	Order no. / surface finish / cabinet side				PU
	silver		white		
	left	right	left	right	
176	9 027 831	9 027 832	9 194 639	9 194 640	1/40 ea.

### Lengthwise railing



- ▶ Powder coated steel

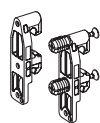
Nominal length mm	Order no. / surface finish / cabinet side				PU
	silver		white		
	left	right	left	right	
260	9 194 522	9 194 523	9 194 536	9 194 537	1/80 ea.
300	9 194 524	9 194 525	9 194 538	9 194 539	1/80 ea.
350	9 194 526	9 194 527	9 194 540	9 194 541	1/80 ea.
420	9 194 528	9 194 529	9 194 542	9 194 543	1/80 ea.
470	9 194 530	9 194 531	9 194 544	9 194 545	1/80 ea.
520	9 194 532	9 194 533	9 194 546	9 194 547	1/80 ea.
620	9 194 534	9 194 535	9 194 548	9 194 549	1/80 ea.



# InnoTech Atira double walled drawer system

- ▶ Pot-and-pan drawer with railing, height 176 mm
- ▶ Powder coated steel, silver / white

## Drawer front connector for drawer side profile



▶ Plastic, white

## Drawer front connector for lengthwise railing



▶ Plastic, white

Mounting option	Order no.	PU
for screwing on	<b>1 065 191</b>	1/400 ea.
with expanding socket	<b>1 061 450</b>	1/400 ea.

Mounting option	Order no.	PU
for screwing on	<b>9 002 503</b>	1/400 ea.
with expanding socket	<b>1 061 965</b>	1/400 ea.

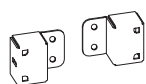
## Cover caps



▶ Plastic

System colour	Finish	Order no.	PU
silver	grey with Hettich logo	<b>9 194 646</b>	1/300 ea.
silver	grey	<b>9 194 643</b>	1/300 ea.
silver	chrome look with Hettich logo	<b>9 194 652</b>	1/300 ea.
silver	chrome look	<b>9 194 649</b>	1/300 ea.
white	white with Hettich logo	<b>9 194 647</b>	1/300 ea.
white	white	<b>9 194 644</b>	1/300 ea.
white	chrome look with Hettich logo	<b>9 194 653</b>	1/300 ea.
white	chrome look	<b>9 194 650</b>	1/300 ea.

## Adapter for lengthwise railing



- ▶ For using a freely positionable lengthwise railing
- ▶ Suitable for use on left or right
- ▶ For drilling dimensions refer to page 74

Order no. / colour		PU
grey	white	
<b>9 206 256</b>	<b>9 206 257</b>	1/80 ea.

## Useful Information

▶ Quadro drawer runners	27 - 41	▶ Installation / Adjustments	73 - 82
▶ Push to open Silent opening system	40 - 41	▶ Quality criteria	83
▶ Other accessories	42 - 45		



## InnoTech Atira double walled drawer system

- ▶ Topside for Pot-and-pan drawer with railing, height 176 mm
- ▶ Powder coated steel, silver / white

### TopSide in metal



- ▶ **7** TopSide adapters must be ordered separately

Set comprises:

- ▶ 2 TopSides

Nominal length mm	Order no. / surface finish		PU
	silver	white	
260	9 194 698	9 194 705	1 set
300	9 194 699	9 194 706	1 set
350	9 194 700	9 194 707	1 set
420	9 194 701	9 194 708	1 set
470	9 194 702	9 194 709	1 set
520	9 194 703	9 194 710	1 set
620	9 194 704	9 194 711	1 set

### TopSide in glass



- ▶ **7** TopSide adapters must be ordered separately
- ▶ Float glass, clear

Set comprises:

- ▶ 2 TopSides

Nominal length mm	Order no.	PU
260	9 194 670	1 set
300	9 194 671	1 set
350	9 194 672	1 set
420	9 194 673	1 set
470	9 194 674	1 set
520	9 194 675	1 set
620	9 194 676	1 set

### TopSide Adaptor



- ▶ For using the **8** TopSide in glass, **9** TopSide in metal or TopSide in any chosen materials
- ▶ Plastic

Set comprises:

- ▶ 1 adaptor, front, left and right
- ▶ 1 adaptor, rear, left and right

Order no. / colour		PU
grey	white	
9 194 660	9 194 661	1 set





# InnoTech Atira double walled drawer system

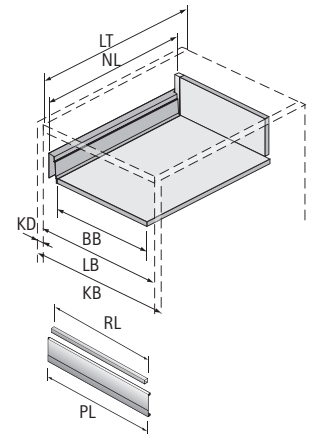
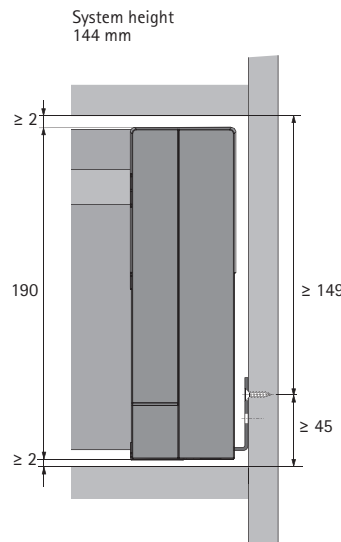
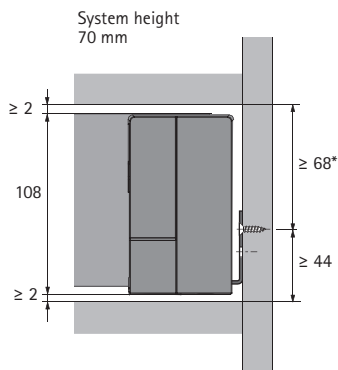
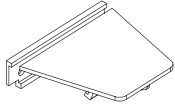
- ▶ Internal drawers/pot-and-pan drawers
- ▶ Powder coated steel, silver / white / anthracite



- ▶ For nominal height of 70, 144 mm
- ▶ For optional use with catch for front panel
- ▶ Cannot be combined with TopSide

## Planning / installation dimensions

\*\*When using the driver for internal front panel  $\geq 93$



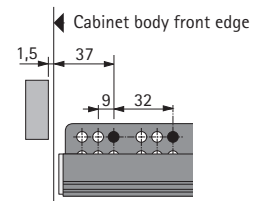
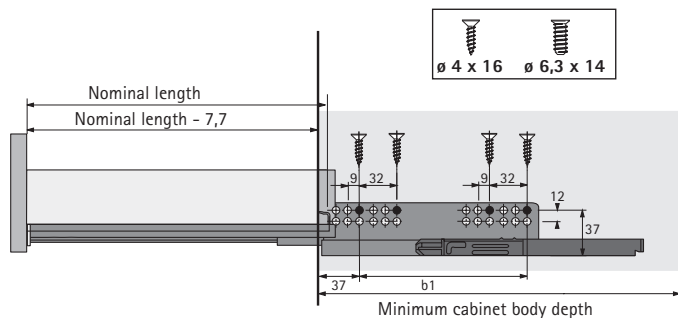
KB Cabinet body width	PL Profile length / Front panel width
RL Railing length	LB Clear inside width
NL Nominal length	LT Clear inside depth
KD Cabinet body side thicknesses	EB Installation width

KD	16
EB	12,5
A	23

Dimension	mm
PL	LB - 2 x EB - 57,6
RL	LB - 2 x EB - 90,5
LT Internal drawer NL 260	NL + 28
LT Internal drawer > NL 260	NL + 24

## Positions for attaching Quadro V6 drawer runner

Nominal length mm	Hole spacing b1 mm
260	160
300	160
350	160
420	224
470	256
520	256



**Note:**  
For further information, please refer to the chapter on drawer runners.

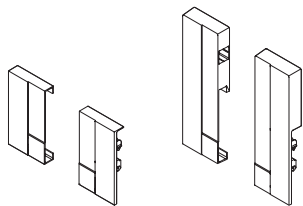




# InnoTech Atira double walled drawer system

- ▶ Internal drawers/pot-and-pan drawers
- ▶ Powder coated steel, silver / white / anthracite

## Connector for front panel



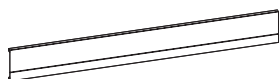
- ▶ For combining with profile for front panel
- ▶ Plastic

Set comprises:

- ▶ 1 connector for front panel, left and right

Colour	Order no. / Nominal height mm		PU
	70	144	
silver	9 104 107	9 293 516	1 set
white	9 196 348	9 293 517	1 set
anthracite	9 196 349	9 293 518	1 set

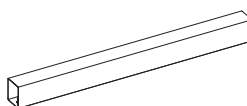
## Aluminium front panel



- ▶ For cutting to length
- ▶ Length 2000 mm
- ▶ Powder coated aluminium

Colour	Order no.	PU
silver	9 194 764	1 ea.
white	9 194 765	1 ea.
anthracite	9 194 766	1 ea.

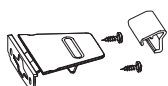
## Railing for front panel



- ▶ For cutting to length
- ▶ Length 2000 mm
- ▶ Powder coated steel

Colour	Order no.	PU
silver	9 194 614	1/30 ea.
white	9 194 615	1/30 ea.
anthracite	9 194 616	1/30 ea.

## Catch



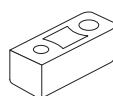
- ▶ For screwing on
- ▶ Plastic

Set comprises:

- ▶ 1 follower
- ▶ 1 profile height increaser
- ▶ Fixing material

System colour	Colour	Order no.	PU
silver / white	grey	9 235 838	1 set

## Front stabiliser



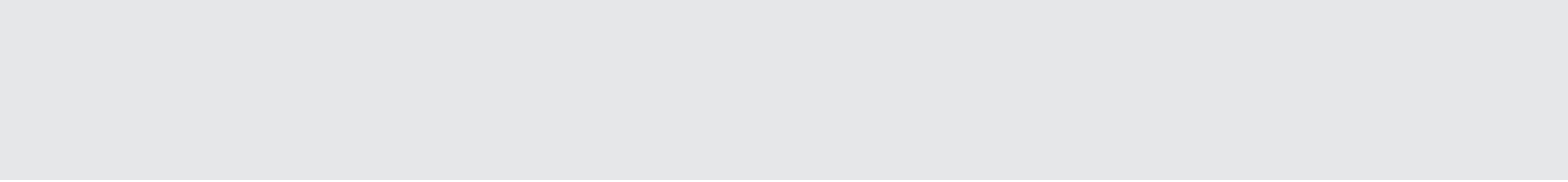
- ▶ For stabilising wide front panels
- ▶ Recommended for use with cabinet bodies in a width of 600 mm and over
- ▶ Plastic, white

Order no.	PU
9 117 782	1/100 ea.



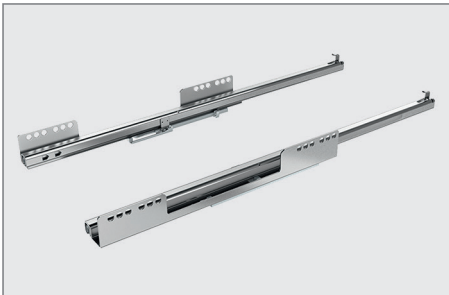
[hettich.com/short/4a58b5](https://hettich.com/short/4a58b5)





# InnoTech Aтира double walled drawer system

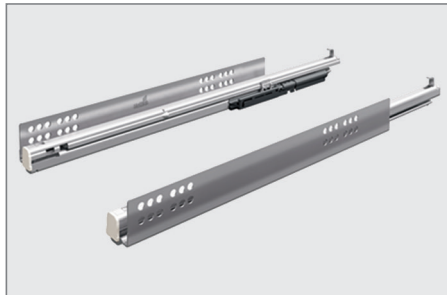
- ▶ Range summary
- ▶ Quadro drawer runners



**Quadro 25 partial extension runner**  
Load capacity up to 25 kg

- ▶ with Silent System

28



**Quadro V6 full extension runner**  
load capacity up to 30 kg

- ▶ with Silent System or Push to open

30



**Quadro V6+ full extension runner**  
load capacity up to 50 kg

- ▶ with Silent System or Push to open

32



**Quadro Compact full extension runner for outdoor cabinetry**

- ▶ with Silent System or Push to open

34



**Synchronisation / multi synchronisation for Push to open**

36



**Drawer runners for Push to open Silent**

38



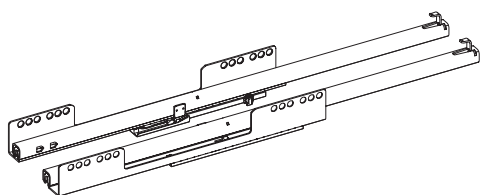
**Push to open Silent opening system**

40



## InnoTech Atira double walled drawer system

- ▶ Quadro 25 drawer runner
- ▶ Partial extension runner, load capacity up to 25 kg



- ▶ Partial extension runner
- ▶ Slide on installation
- ▶ Load capacity to EN 15338 Level 3
- ▶ Galvanised steel

### Drawer Runner (installed width EB 12.5)

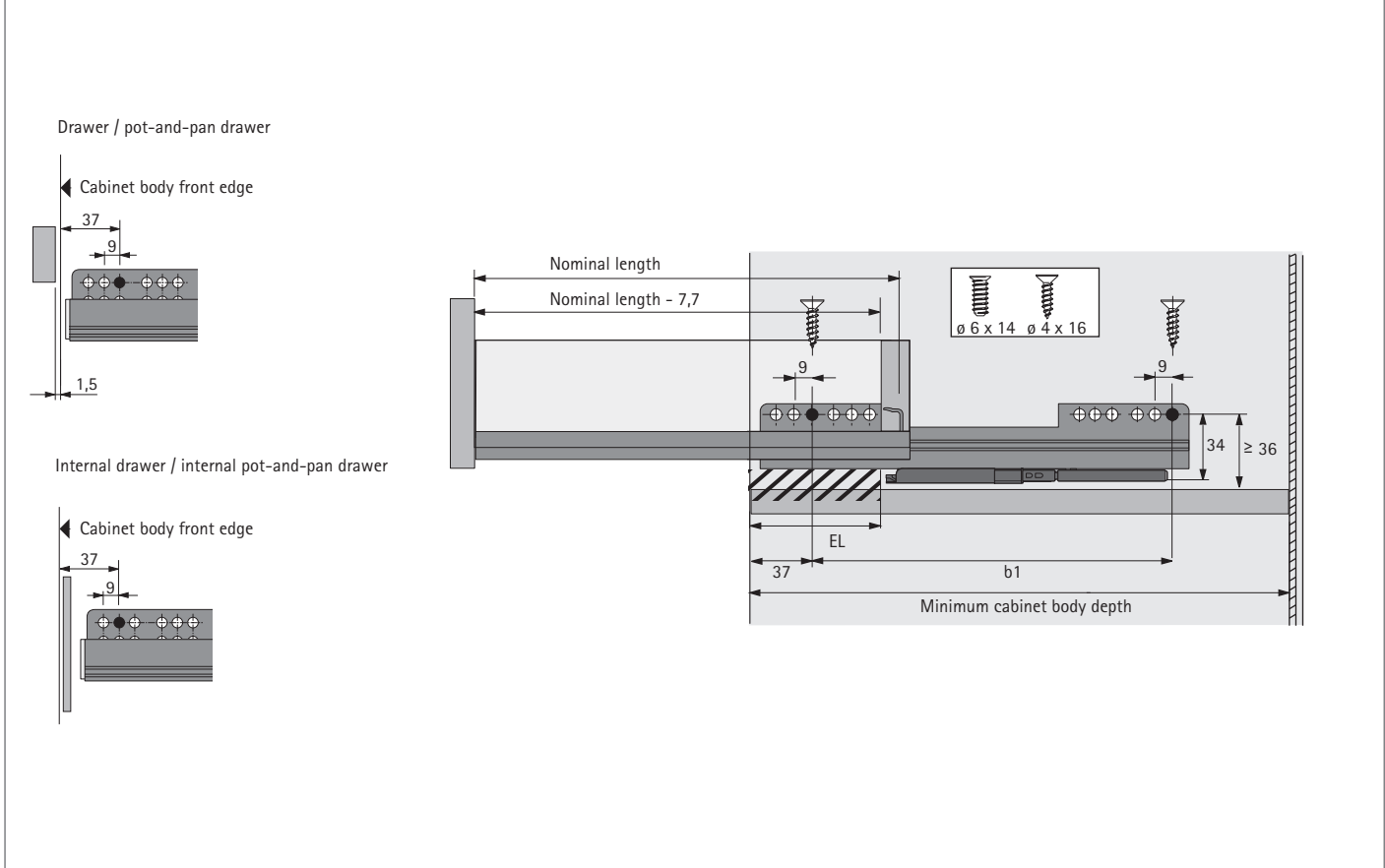
Nominal length mm	Order No.		PU
	Silent system		
	left	right	
350	9 159 023	9 159 024	1/30 ea.
420	9 159 025	9 159 026	1/30 ea.
470	9 159 027	9 159 028	1/30 ea.
520	9 159 029	9 159 030	1/30 ea.



# InnoTech Aтира double walled drawer system

- ▶ Quadro 25 drawer runner
- ▶ Partial extension runner, load capacity up to 25 kg

## Lengthwise cross-section



## Installation dimensions

Nominal length mm	Hole spacing b1 mm	Extension loss EL mm	Drawer / pot-and-pan drawer Minimum cabinet body depth mm	Internal drawer / internal pot-and-pan drawer Minimum cabinet body depth mm
260	160	50	279	288
300	160	70	315	324
350	160	70	365	374
420	256	82	435	444
470	256	94	485	494
520	256	106	535	544

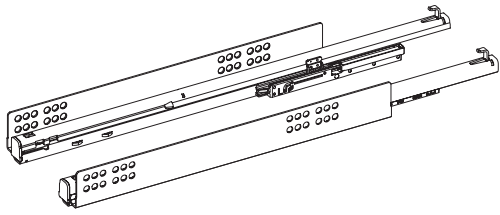


[hettich.com/short/956b9b](https://hettich.com/short/956b9b)



# InnoTech Atira double walled drawer system

- ▶ Quadro V6 drawer runner
- ▶ Full extension runner, load capacity up to 30 kg



- ▶ Full extension runner
- ▶ Slide on installation
- ▶ Load capacity to EN 15338 Level 3
- ▶ Galvanised steel

## Drawer Runner (installed width EB 12.5)

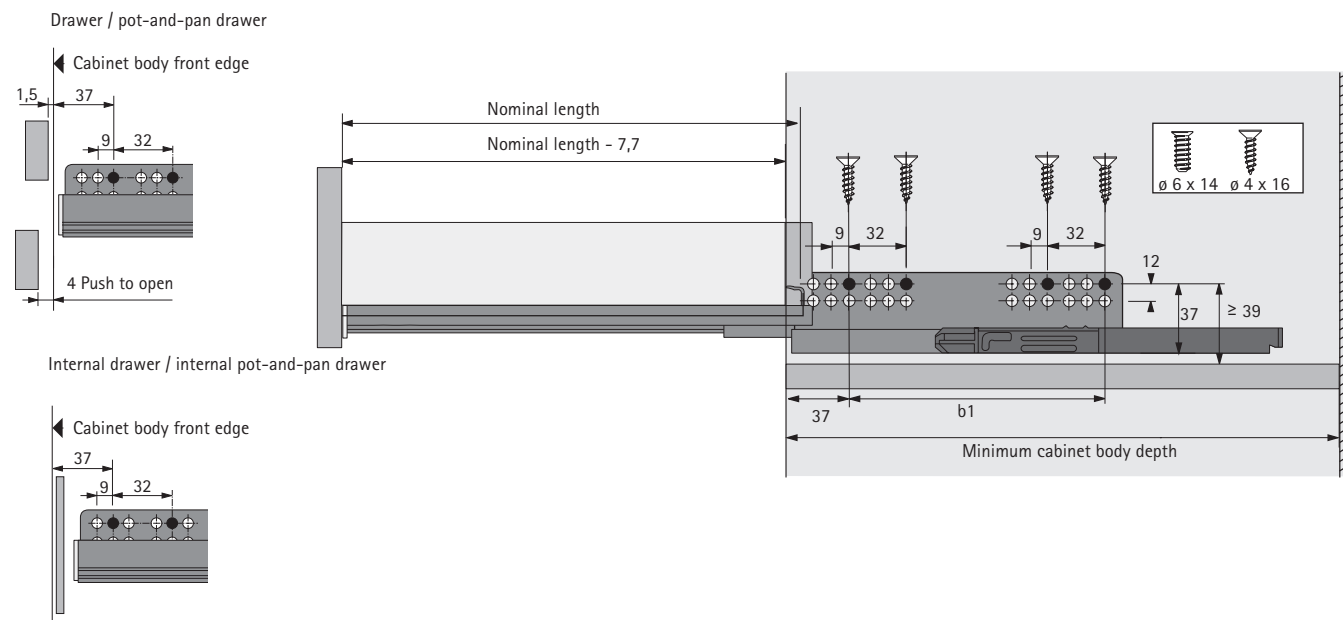
Nominal length mm	Order no.					PU
	Silent system			Push to open		
	left	right	sets (left & right)	left	right	
260	9 118 019	9 118 020	9 318 952	9 125 585	9 125 586	1/20 ea.
300	9 117 988	9 117 991	9 318 953	9 125 589	9 125 590	1/20 ea.
350	9 118 013	9 118 014	9 318 954	9 125 601	9 125 602	1/20 ea.
420	9 101 300	9 101 301	9 318 955	9 125 603	9 125 604	1/20 ea.
470	9 118 054	9 118 055	9 318 956	9 125 605	9 125 606	1/20 ea.
520	9 118 016	9 118 018	9 318 957	9 125 607	9 125 608	1/20 ea.



# InnoTech Aтира double walled drawer system

- ▶ Quadro V6 drawer runner
- ▶ Full extension runner, load capacity up to 30 kg

## Lengthwise cross-section



## Installation dimensions

Nominal length mm	Hole spacing b1 mm	Drawer / pot-and-pan drawer Minimum cabinet body depth mm	Internal drawer / internal pot-and-pan drawer Minimum cabinet body depth mm
260	160	279 [304mm required for push to open]	288 [314mm required for push to open]
300	160	315	324
350	160	365	374
420	224	435	444
470	256	485	494
520	256	535	544

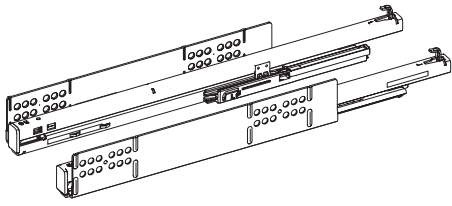


[hettich.com/short/8c2567](https://hettich.com/short/8c2567)



# InnoTech Atira double walled drawer system

- ▶ Quadro V6+ drawer runner
- ▶ Full extension runner, load capacity up to 50 kg



- ▶ Full extension runner
- ▶ Slide on installation
- ▶ Load capacity to EN 15338 Level 3
- ▶ Galvanised steel

## Drawer Runner (installed width EB 12.5)

Nominal length mm	Order no. / user friendly function / cabinet side			Push to open sets	PU
	Silent system				
	left	right	sets (left & right)		
420	9 126 345	9 126 346	-	9 319 010	1/16 ea.
470	9 117 993	9 117 994	9 318 975	9 319 011	1/16 ea.
520	9 117 995	9 117 997	9 318 976	9 319 012	1/16 ea.
620	9 126 347	9 126 348	-	9 319 013	1/8 ea.

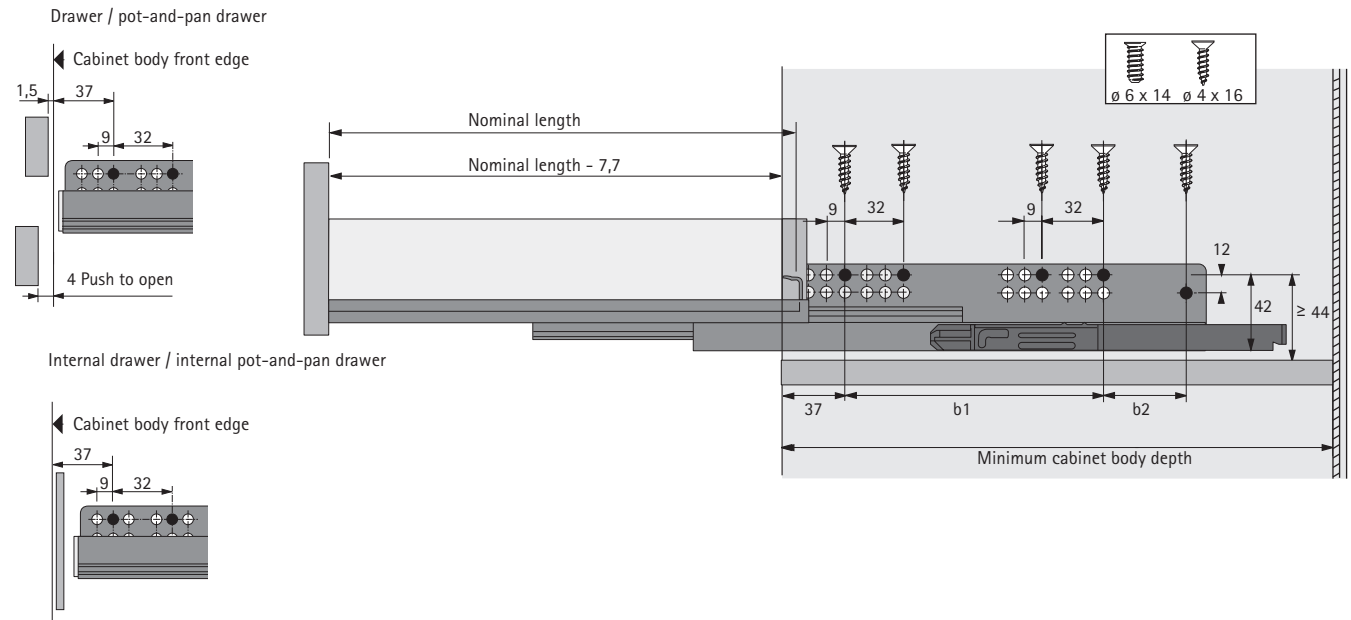




# InnoTech Aтира double walled drawer system

- ▶ Quadro V6+ drawer runner
- ▶ Full extension runner, load capacity up to 50 kg

## Lengthwise cross-section



## Installation dimensions

Nominal length mm	Hole spacing b1 mm	Hole spacing b2 mm	Drawer / pot-and-pan drawer Minimum cabinet body depth mm	Internal drawer / internal pot-and-pan drawer Minimum cabinet body depth mm
420	224		435	444
470	256		485	494
520	256		535	544
620	352	64	635	644



[hettich.com/short/85ec6b](https://hettich.com/short/85ec6b)



# InnoTech Aтира double walled drawer system

- ▶ **Quadro Compact drawer runner for outdoor use**
- ▶ **Full extension runner, loading capacity 40 kg**



Treated and tested for durability in outdoor and high exposure applications, the Quadro compact drawer runner is uniquely suited to outdoor cabinetry.

- ▶ With integrated **Silent System** or **Push to open**
- ▶ Slide on installation
- ▶ Installed width (EB) 12.5 mm
- ▶ Optional: synchronisation / multi synchronisation (upgradable when combined with Push to open user friendly function)
- ▶ Corrosion resistant, 96H NSS to DIN EN ISO 1670, level 3
- ▶ Load capacity to EN 15338, Level 3
- ▶ Custom finish

## Bulk packaging

Nominal length / drawer length NL mm	Order no. / User friendly features / Mounting side				PU
	Silent system		Push to open		
	left	right	left	right	
470	9 311 544	9 311 545	9 311 546	9 311 547	16 ea.

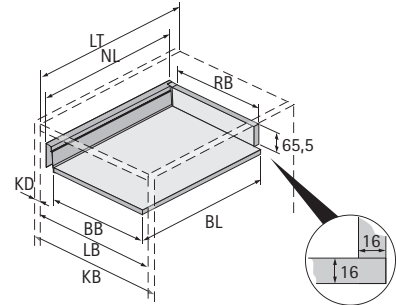
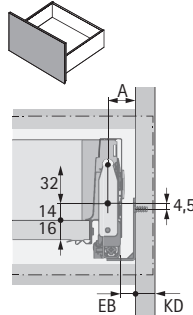
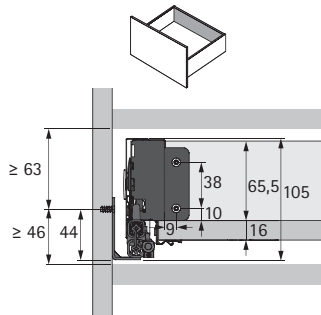


# InnoTech Atira double walled drawer system

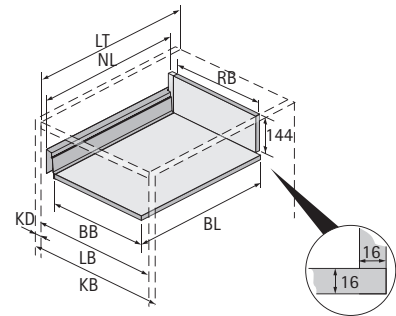
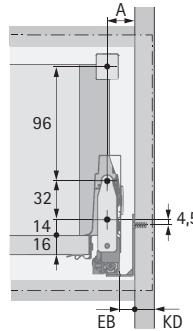
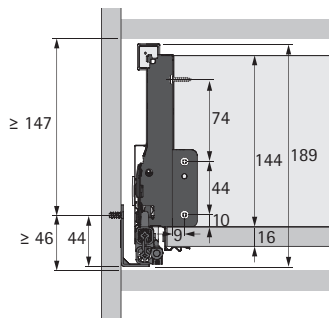
- ▶ Quadro Compact drawer runner for outdoor use
- ▶ Full extension runner, loading capacity 40 kg

## Planning / installation dimensions

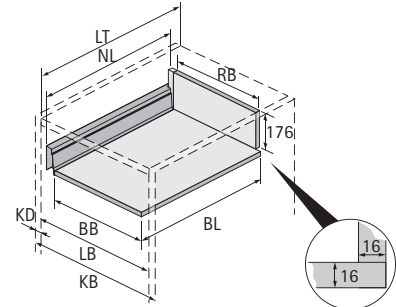
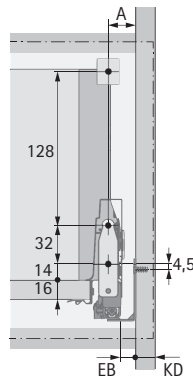
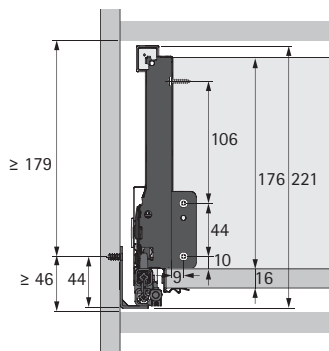
H70



H144



H176



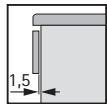
BB Bottom panel width	RB Rear panel width	LB Clear inside width
BL Bottom panel length	NL Nominal length	LT Clear inside depth
KB Cabinet body width	KD Cabinet body side thicknesses	EB Installation width

KD	16	18	19
EB	12,5	10,5	9,5
A	23	21	20

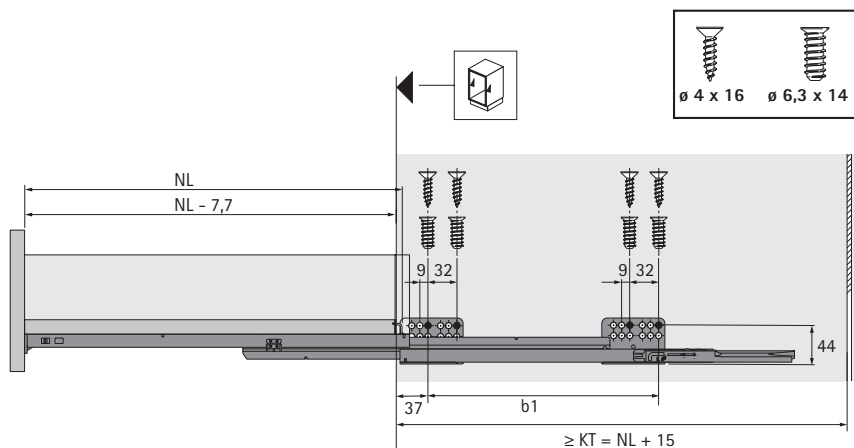
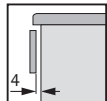
Dimension	mm
BL	NL + 10
BB	LB - 2 x EB - 51,5
RB	LB - 2 x EB - 63

## Side cross section

Silent System



Push to open



NL	KT	b1
470	485	256

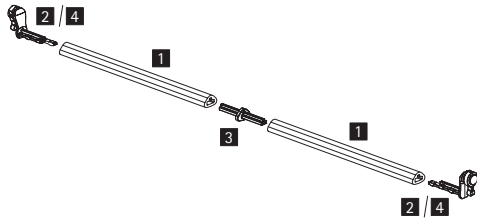
NL Nominal length  
KT Cabinet body depth



# InnoTech Atira double walled drawer system

- ▶ Quadro V6 and Quadro V6+ drawer runners
- ▶ Synchronisation for Push to open

## Synchronisation for Quadro Push to open



- ▶ Highly recommended for cabinet widths of 600mm and over
- ▶ For nominal lengths of 260 - 620 mm
- ▶ Synchronisation bar for cutting to length, up to max. cabinet body width of 2000 mm, can be extended with connector
- ▶ Cannot be used with Quadro partial extension runners

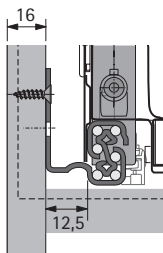
The following items are required for use:

- ▶ 1 synchronisation bar
- ▶ 2 adapters
- ▶ Waste can be minimised using the connector

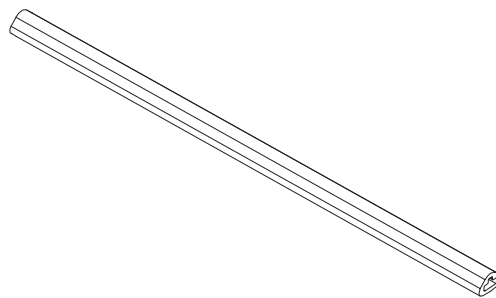
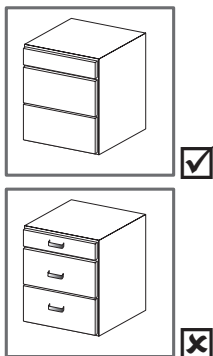
Article	Order no.	PU
1 synchronisation bar	9 236 718	1/100 ea.
2 adapters, type A	9 219 966	1/200 ea.
3 connectors	9 221 295	1/20 ea.
4 adapters, type B	9 219 965	1/200 ea.

## Quadro installed width

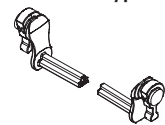
KD mm	16
EB mm	12,5



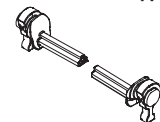
## Push to open with optional synchronisation



Quadro V6 type B



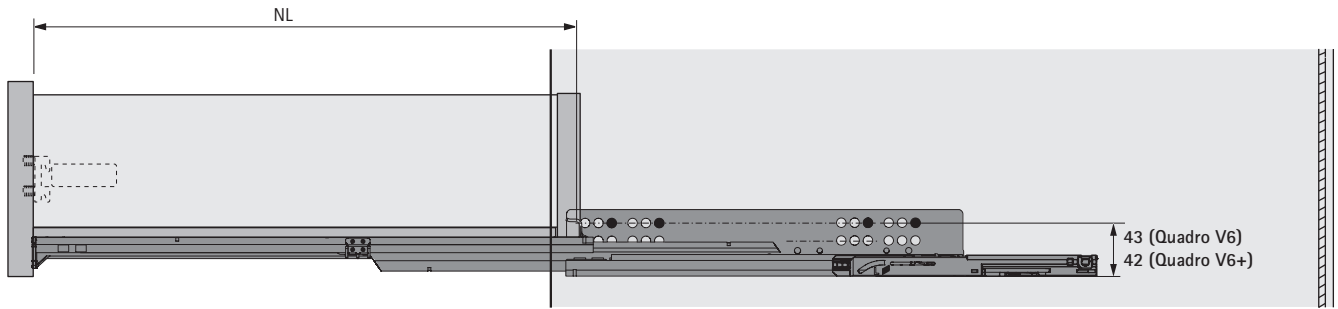
Quadro V6+ type A



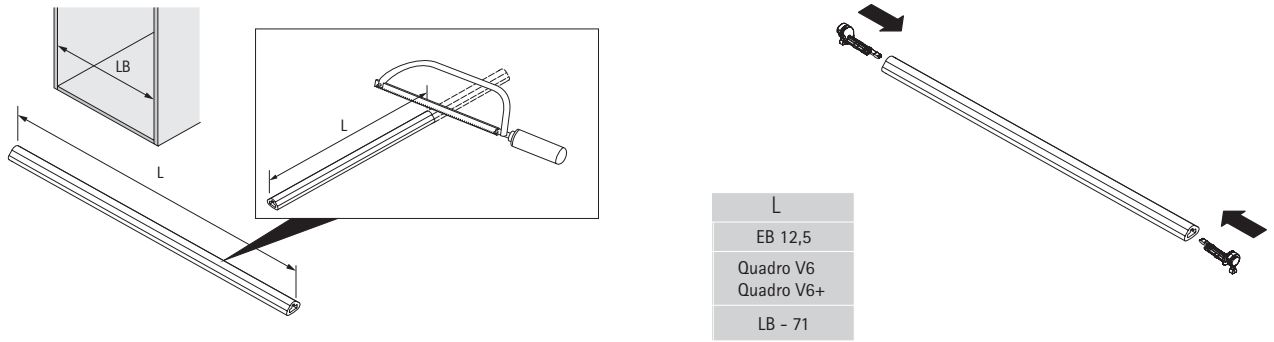
# InnoTech Aтира double walled drawer system

- ▶ Quadro V6 and Quadro V6+ drawer runners
- ▶ Synchronisation for Push to open

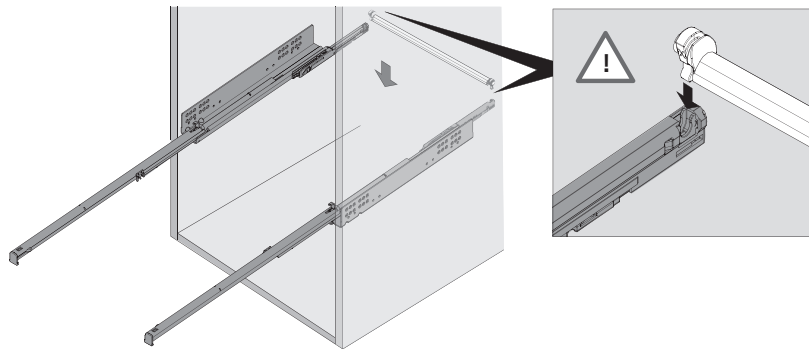
## Lengthwise cross-section



## Dimensions for cutting to size



## Installation

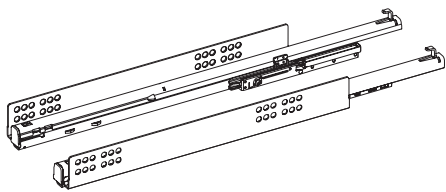


[hettich.com/short/690699](https://hettich.com/short/690699)



# InnoTech Atira double walled drawer system

- ▶ Quadro drawer runners for Push to open Silent
- ▶ Full extension runner



- ▶ Only used with the Push to open Silent opening system (see next page)
- ▶ Full extension runner
- ▶ Slide on installation
- ▶ Load capacity to EN 15338 Level 3
- ▶ Galvanised steel

## Drawer Runner (installed width EB 12.5)

Nominal length mm	Order no.			PU
	Quadro V6 Push to open Silent 10 kg sets	30kg sets	Quadro V6+ 50 kg sets	
260	9 319 041	9 319 044		1 set
300	9 319 042	9 319 046		1 set
350	9 319 043	9 319 048		1 set
420		9 319 051	9 319 079	1 set
470		9 319 052	9 319 080	1 set
520		9 319 053	9 319 081	1 set
620			9 319 082	1 set



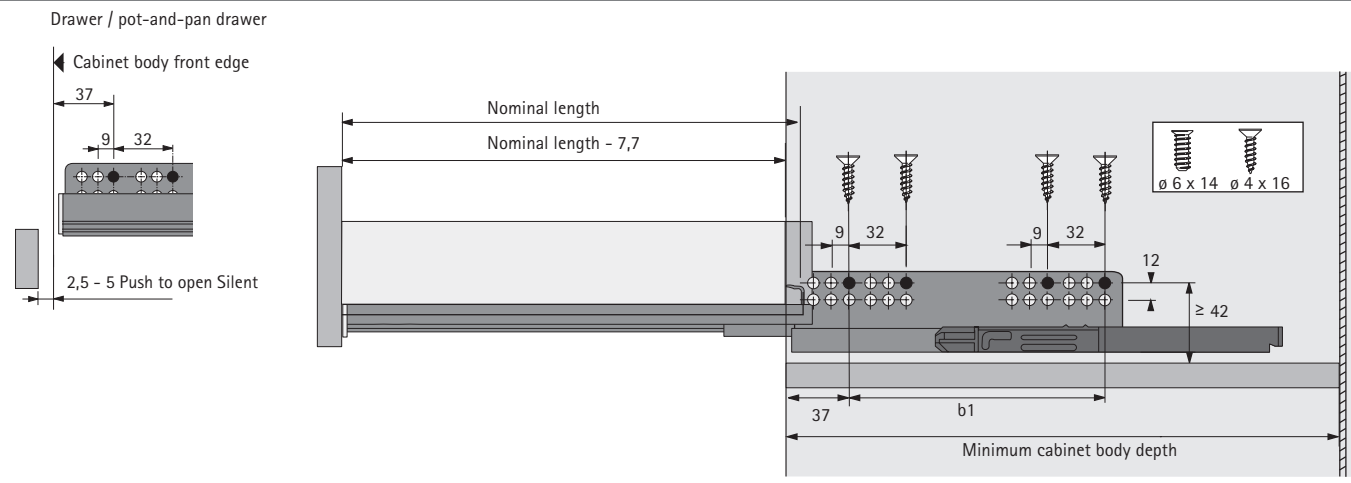
[hettich.com/short/6625fd](https://hettich.com/short/6625fd)



# InnoTech Aтира double walled drawer system

- ▶ Quadro drawer runners for Push to open Silent
- ▶ Full extension runner

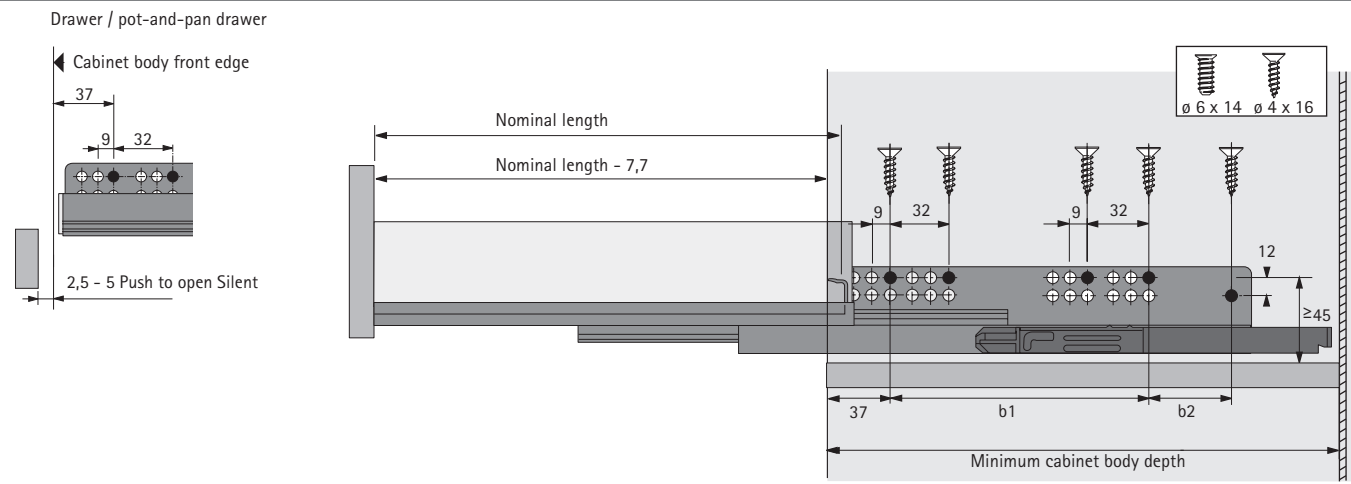
## Lengthwise cross-section Quadro V6 Push to open Silent



## Installation dimensions

Nominal length mm	Hole spacing b1 mm	Drawer / pot-and-pan drawer Minimum cabinet body depth mm	Internal drawer / internal pot-and-pan drawer Minimum cabinet body depth mm
260	160	279	288
300	160	315	324
350	160	365	374
420	224	435	444
470	256	485	494
520	256	535	544

## Lengthwise cross-section Quadro V6+ Push to open Silent



## Installation dimensions

Nominal length mm	Hole spacing b1 mm	Hole spacing b2 mm	Drawer / pot-and-pan drawer Minimum cabinet body depth mm	Internal drawer / internal pot-and-pan drawer Minimum cabinet body depth mm
420	224		435	444
470	256		485	494
520	256		535	544
620	352	64	635	644



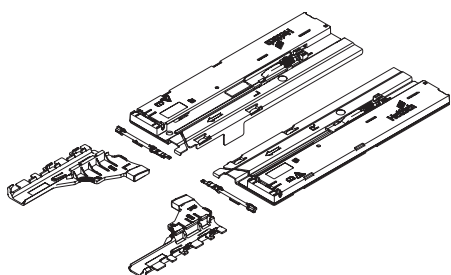
# InnoTech Atira double walled drawer system

## ► Push to open Silent opening system



- Opening system combined with Silent System
- System permits minimum drawer front gap of 2.5 mm
- For optimum performance and activation, we recommend fitting an optional synchronisation function
- With the flexible adapter, synchronisation is also possible on curved or angled front panels
- 3-dimensional front panel adjustment for the drawer, 4-dimensional for the pot-and-pan drawer
- A system that stores pushing energy helps to slow down closing action
- Drawers can still be pulled open / guided closed
- Tool-less assembly
- Suitable for all nominal drawer lengths and cabinet body widths of 275 mm and over

## Push to open Silent opening system for InnoTech Atira



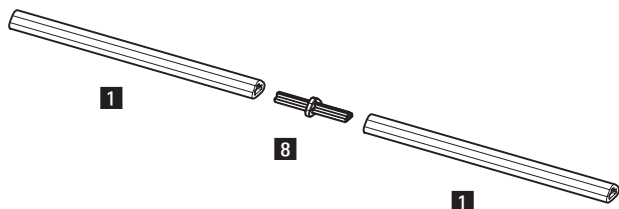
- For optimum performance and activation, we recommend fitting an optional synchronisation function

Set comprises:

- 1 Push to open Silent unit, left and right
- 1 activator, left and right
- 2 adapters for synchronisation

Total weight kg	Quadro kg	Nominal length mm	Order no.	PU
<10	10 (V6)	260 - 350	<b>9 240 161</b>	1 set
8 - 20	30 (V6)	260 - 520	<b>9 240 162</b>	1 set
10 - 30	30 (V6)	260 - 520	<b>9 240 163</b>	1 set
20 - 50	50 (V6+)	300 - 520	<b>9 240 164</b>	1 set

## Synchronisation bar and connector



L = LB - 224

Synchronisation bar:

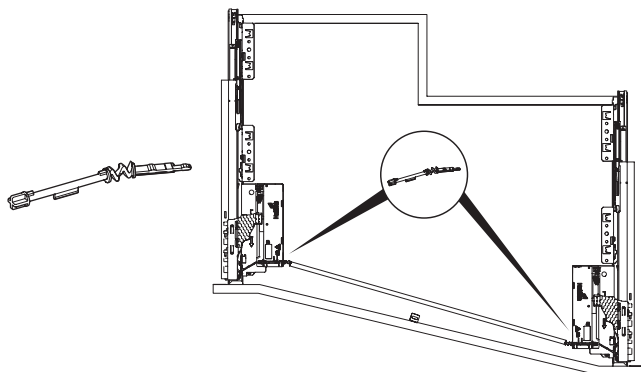
- For cutting to size
- Length 2000 mm
- Aluminium anodised

Connector:

- For extending synchronisation bar / optimising synchronisation bar offcut waste
- Plastic, grey

Article	Order no.	PU
<b>1</b> synchronisation bar	<b>9 236 718</b>	1/100 ea.
<b>8</b> connectors	<b>9 221 295</b>	1/20 ea.

## Flexible adapter



- For use in conjunction with lowered drawer runners with angled or curved fronts
- Replaces the adapter for synchronisation in the Push to open Silent set

Order no.	PU
<b>9 262 213</b>	1/20 ea.





# InnoTech Atira double walled drawer system

## ► Push to open Silent opening system

### Recommendation for drawer (front panel height up to approx. 150 mm)\*

Nominal length mm	Nominal width mm											
	275	300	350	400	500	600	700	800	900	1000	1100	1200
260												
300												
350												
420												
470												
520												
620												

### Recommendation for pot-and-pan drawer (front panel height up to approx. 300 mm, light to medium duty loading)\*

Nominal length mm	Nominal width mm											
	275	300	350	400	500	600	700	800	900	1000	1100	1200
260												
300												
350												
420												
470												
520												
620												

### Recommendation for pot-and-pan drawer, heavy duty (front panel height up to approx. 300 mm, heavy duty loading, e.g. with stacks of plates)\*

Nominal length mm	Nominal width mm											
	275	300	350	400	500	600	700	800	900	1000	1100	1200
260												
300												
350												
420												
470												
520												
620												

Order no. Push to open Silent:

9 240 161

9 240 162

9 240 163

9 240 164

\* Recommendations for applications (front panel 19 mm chipboard, normal household loading), please refer to our online configurator to get more exact recommendations for customer chosen front panel dimensions and materials.



For further information:  
<http://www.hettich.com/short/3e1c7c>



[hettich.com/short/577293](http://hettich.com/short/577293)



# InnoTech Atira double walled drawer system

- ▶ Optional accessories
- ▶ Front / side stabiliser

## Side stabiliser



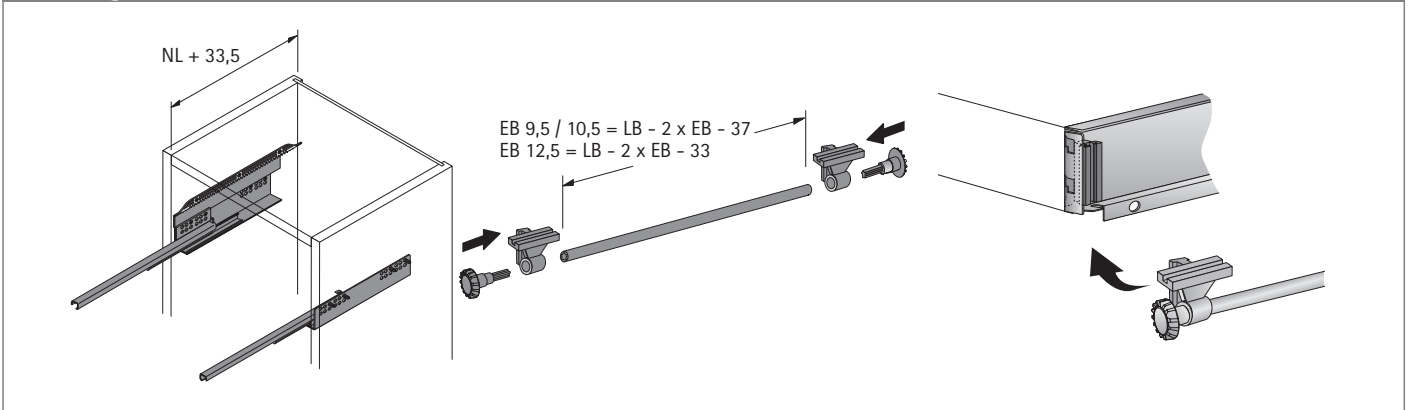
- ▶ Use recommended on cabinet bodies in a width of 800 mm and over
- ▶ For nominal lengths of 260 - 620 mm
- ▶ Cannot be used with Quadro drawer runner with Push to open

Set comprises:

- ▶ 2 gear racks, plastic
- ▶ 1 shaft for cutting to length, for max. cabinet body width of 1200 mm, aluminium
- ▶ 2 cogwheels, plastic
- ▶ 2 retainers, plastic
- ▶ 2 bearings for shaft, plastic

Order no.	PU
9 079 333	1 set

## Planning dimensions / installation



## EB drilling jig for InnoTech side stabiliser



- ▶ Jig for drilling positions for attaching InnoTech / InnoTech Atira side stabiliser (order no. 9 079 333)
- ▶ Plastic, white

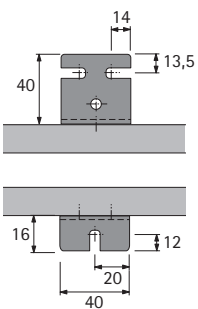
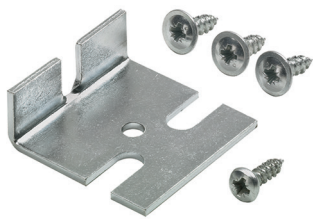
Installed width mm	Order no.	PU
12.5	9 080 311	1 ea.



# InnoTech Aтира double walled drawer system

- ▶ Optional accessories
- ▶ Front / side stabiliser

## Front bracket



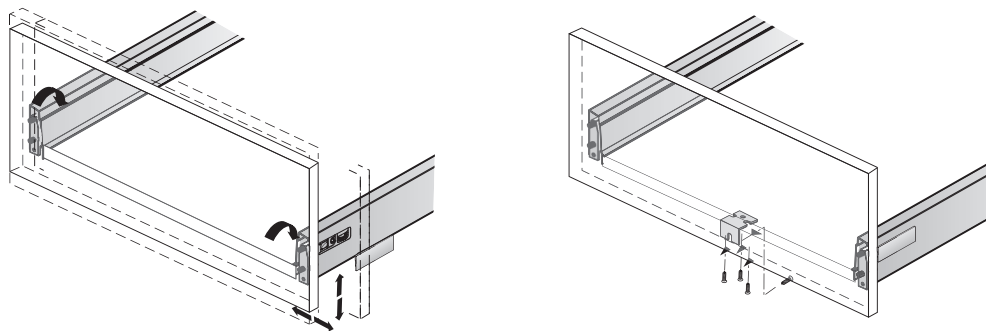
- ▶ For stabilising wide and / or high fronts
- ▶ Recommended for use with cabinet bodies over 600 mm wide and / or front heights over 450 mm
- ▶ For mounting under the drawer / pot-and-pan drawer after adjusting the drawer front

### Set comprises:

- ▶ 1 front bracket, chromated steel
- ▶ 3 special screws,  $\varnothing 5 \times 14$  mm
- ▶ 1 panhead screw,  $\varnothing 4.0 \times 12$  mm

Order no.	PU
9 079 232	1 set

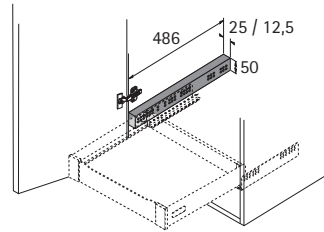
## Installation



# InnoTech Atira double walled drawer system

## ► Other accessories

### Spacer profile



- For bridging the hinge protrusion when using internal pot-and-pan drawers
- To span greater spaces, several profiles can be clipped on top of one another
- The spacer profiles can also be used for tolerance compensation
- Plastic, white

Width x depth x height mm	Order no.	PU
25 x 486 x 50	<b>0 013 952</b>	1 ea.

### Direct fixing screw



- For attaching the Quadro drawer runner
- $\varnothing$  6.3 x 14 mm
- Shallow countersunk head
- Pozidrive screw
- Steel, galvanised

Order no.	PU
<b>0 051 265</b>	200 ea.

### Chipboard screw, countersunk head



- For attaching Quadro runners
- $\varnothing$  4 x 16 mm
- Pozidrive screw
- Steel, nickel plated

Order no.	PU
<b>0 010 085</b>	200 ea.

### Chipboard screw, pan head

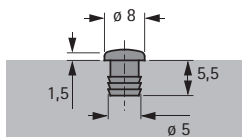


- For installing the drawer base as well as the wooden or aluminium rear panel
- Pozidrive screw
- Galvanised steel

Dimensions mm	Order no.	PU
$\varnothing$ 3.5 x 12	<b>0 045 167</b>	200 ea.
$\varnothing$ 3.5 x 20	<b>0 045 168</b>	200 ea.



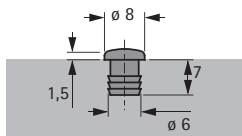
### Door damper for pressing in



- For drilling  $\varnothing 5 \times 5.5$  mm
- Plastic, transparent

<b>Order no.</b>	PU
<b>9 079 298</b>	1/1000 ea.

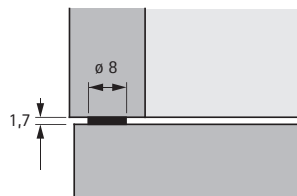
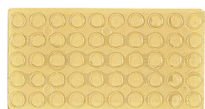
### Door damper for pressing in



- For drilling  $\varnothing 6 \times 7$  mm
- Plastic

<b>Colour</b>	<b>Order no.</b>	PU
white	<b>0 025 048</b>	1/1000 ea.

### Door damper for sticking on



- Self adhesive
- Plastic, transparent

<b>Order no.</b>	PU
<b>0 072 120</b>	50 ea.

# InnoTech Atira double walled drawer system

- ▶ Range summary, interior organisation
- ▶ Powder coated steel, white



**OrgaTray 440**  
for drawers / internal drawers

47



**OrgaTray 490**  
for drawers / internal drawers

48



**OrgaTray 590**  
for drawers / internal drawers

49



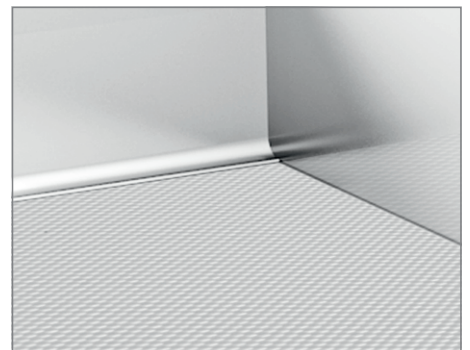
**OrgaStore 410** for pot-and-pan drawers /  
internal pot-and-pan drawers

50



**OrgaStore 820** for pot-and-pan drawers /  
internal pot-and-pan drawers

51



**Accessories**

53



# InnoTech Aтира double walled drawer system

- ▶ Internal organisation system for drawers and internal drawers
- ▶ Plastic, silver / white / anthracite



- ▶ For general-purpose use
- ▶ Knife and spice rack can be incorporated, see page 53
- ▶ Plastic.

## OrgaTray 440

Tray width mm	Nominal width mm	white		silver		anthracite		PU
		Order no. / Depth mm		Order no. / Depth mm		Order no. / Depth mm		
		380 - 440	441 - 520	380 - 440	441 - 520	380 - 440	441 - 520	
201 - 250	300	9 194 949	9 194 962	9 194 918	9 194 931	9 194 980	-	1 ea.
251 - 300	350	9 194 950	9 194 963	9 194 919	9 194 932	9 194 981	-	1 ea.
301 - 350	400	9 194 951	9 194 964	9 194 920	9 194 933	9 194 982	9 194 995	1 ea.
351 - 400	450	9 194 952	9 194 965	9 194 921	9 194 934	9 194 983	9 194 996	1 ea.
401 - 450	500	9 194 953	9 194 966	9 194 922	9 194 935	9 194 984	9 194 997	1 ea.
451 - 500	550	9 194 954	9 194 967	9 194 923	9 194 936	9 194 985	9 194 998	1 ea.
501 - 600	600	9 194 955	9 194 968	9 194 924	9 194 937	9 194 986	9 194 999	1 ea.
601 - 700	700	9 194 956	9 194 969	9 194 925	9 194 938	9 194 987	9 195 000	1 ea.
701 - 800	800	9 194 957	9 194 970	9 194 926	9 194 939	9 194 988	9 195 001	1 ea.
801 - 900	900	9 194 958	9 194 971	9 194 927	9 194 940	9 194 989	9 195 002	1 ea.
1091 - 1150	1200	9 194 960	9 194 973	9 194 929	9 194 942	9 194 991	9 195 004	1 ea.

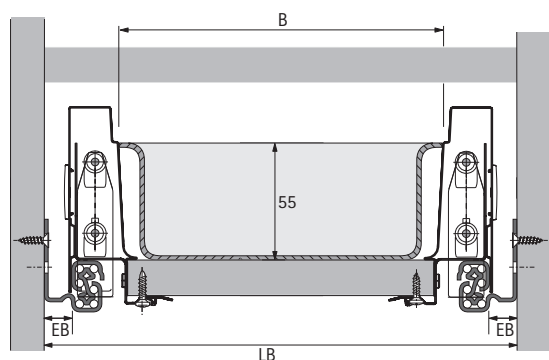
## Partitioning

D 370 - 440											
D 441 - 520											
W	201-250	251-300	301-350	351-400	401-450	451-500	501-600	601-700	701-800	801-900	1091-1150
NW	300	350	400	450	500	550	600	700	800	900	1200

\* = knife and spice rack can be incorporated

D = Depth W = Width NW = Nominal width

## Dimensional drawing



- ▶ Trimmed width (B) = LB - 62
- ▶ Trimmed depth = nominal length - 7.7



# InnoTech Atira double walled drawer system

- ▶ Internal organisation system for drawers and internal drawers
- ▶ Plastic, silver / white





- ▶ Variable in width, suitable for cabinet width starting from 450 mm
- ▶ Two trays can be fitted in a cabinet width starting from 800 mm
- ▶ Plastic.

## OrgaTray 490

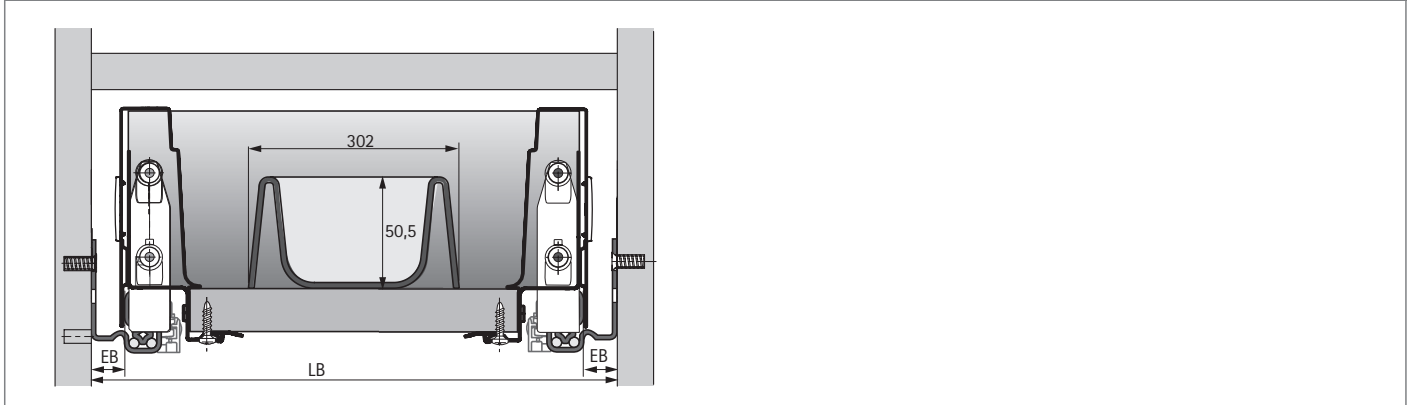
Order no. / nominal length mm				PU
<b>Silver</b>		<b>White</b>		
470	520	470	520	
9 207 241	9 207 242	9 207 243	9 207 245	1 ea.

## Partitioning

NL	D	
470	462	
520	512	
W	326	
CW	≥ 450	

NL = Nominal length    D = Depth    W = Width    CW = Cabinet body width

## Dimensional drawing





# InnoTech Atira double walled drawer system

- ▶ Internal organisation system for drawers and internal drawers
- ▶ Plastic, silver / white



- ▶ For nominal length 470 mm
- ▶ Suitable for standard cabinet width
- ▶ Plastic, white

- Set comprises:
- ▶ 1 plastic cutlery tray
  - ▶ Dividing elements for partitioning drawer to suit needs (quantity differs depending on width, see illustration of partitioning)

## OrgaTray, 590

Cabinet width mm	Order no.	Order no.	PU
	Silver	White	
300	9 194 886	9 194 897	1 set
400	9 194 887	9 194 898	1 set
450	9 194 888	9 194 899	1 set
500	9 194 889	9 194 900	1 set
600	9 194 891	9 194 902	1 set
800	9 194 892	9 194 903	1 set
900	9 194 893	9 194 904	1 set
1000	9 194 894	9 194 905	1 set

## Partitioning

NL	D	Partitioning diagrams								
470	462									
<b>W</b>		207	307	357	407	457	507	707	807	907
<b>CW</b>		300	400	450	500	550	600	800	900	1000

NL = Nominal length    D = Depth    W = Width    CW = Cabinet body width

## Dividing elements



- ▶ For OrgaTray 590

Nominal length mm	Order no.	Order no.	PU
	Silver	White	
68	9 204 229	9 204 230	1/50 ea.
128	9 005 931	9 204 201	1/50 ea.



## InnoTech Atira double walled drawer system

- ▶ Internal organisation system for pot-and-pan drawers and internal pot-and-pan drawers
- ▶ Plastic, silver / white / anthracite



- ▶ For pot-and-pan drawer or internal pot-and-pan drawer with railing
- ▶ Crosswise railings and lengthwise dividers must be ordered separately
- ▶ It is recommended to fit an anti-slip mat

### OrgaStore 410 cut to size



- ▶ Suitable for customised carcass widths
- ▶ Crosswise railing, adapter and lengthwise divider must be ordered separately
- ▶ B = LB - 65.5
- ▶ Adapter, plastic

Article	Length mm	Silver	White	Anthracite	PU
Crosswise railing	2000	9 194 614	9 194 615	9 194 616	1/30 ea.
Adapter		9 194 617	9 194 619	9 194 621	1/20 ea.

### OrgaStore 410 lengthwise divider



- ▶ Plastic

Silver	White	Dark grey	PU
9 194 618	9 194 620	9 194 622	1/10 ea.



# InnoTech Aтира double walled drawer system

- ▶ Internal organisation system for pot-and-pan drawers and internal pot-and-pan drawers
- ▶ Plastic, silver / white / anthracite



- ▶ Suitable for standard cabinet width
- ▶ Aluminium profile can be trimmed to suit variable widths
- ▶ Available for cabinet width starting from 300 mm
- ▶ Plastic elements, white

Set comprises:

- ▶ 1 aluminium profile with plastic adapters
- ▶ Plastic dividing elements

## OrgaStore 820 divider



- ▶ Height 125 mm
- ▶ Also available for adding to set

Silver	White	Anthracite	PU
9 194 867	9 182 230	9 182 231	1/15 ea.

## Adapter



- ▶ Height 125 mm
- ▶ Plugs onto aluminium profile without the need for tools
- ▶ 2 adapters are required for a set

Silver	White	Anthracite	PU
9 194 866	9 182 233	9 182 234	1/30 ea.

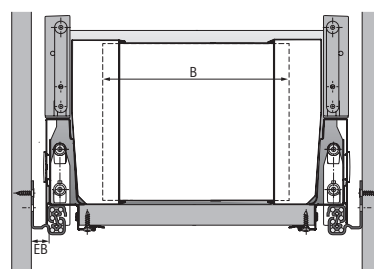
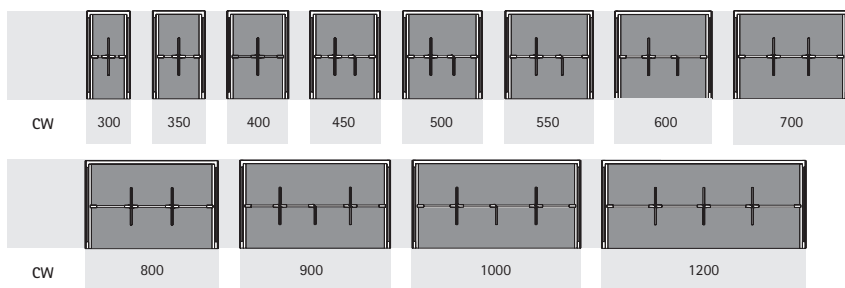
## OrgaStore 820 aluminium profile



- ▶ Height 120 mm
- ▶ Length 2000 mm
- ▶ Cut to size

Silver	White	Anthracite	PU
9 194 868	9 182 249	9 182 250	1 ea.

## Partitioning



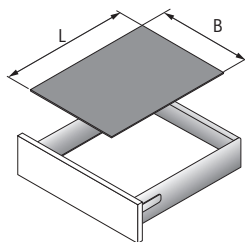
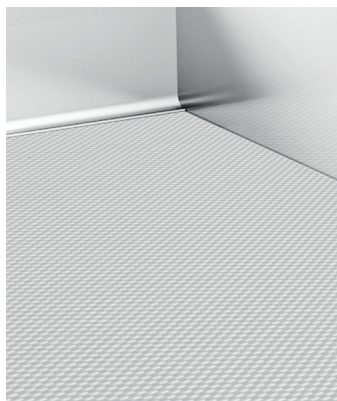
▶ B = LB - 97



# InnoTech Atira double walled drawer system

## ► Accessories for interior organisation

### Anti-slip mat



- For inserting into the drawer or pot-and-pan drawer
- 5 m roll
- Plastic, white

Advice:

- Trimmed width (B) = LB - 84
- Cut length (L) = nominal length - 7.7

Nominal length mm	Silver	White	Anthracite	PU
470	9 209 533	9 209 572	-	1 ea.
520	9 209 536	9 209 574	-	1 ea.
650	9 209 568	9 209 575	9 209 582	1 ea.

### Knife holder and spice rack



- For OrgaTray 440
- Beech, lacquered

Article	Order no.	PU
<b>1</b> Knife holder	0 074 430	1 ea.
<b>2</b> Spice rack, standing, ø 53 mm	0 044 934	1 ea.
<b>3</b> Spice rack, lying flat	9 079 207	1 ea.



## InnoTech Atira double walled drawer system

- ▶ Range summary - solutions with bottom cutout
- ▶ Powder coated steel, white



**Banio  
for drawers / pot-and-pan drawers**

54



**Metal surround for under sink solutions  
for drawers / pot-and-pan drawers**

55

# InnoTech Atira double walled drawer system

- ▶ Solutions with bottom cutout
- ▶ Plastic, Silver/White



- ▶ For drawer or pot-and-pan drawer
- ▶ Can be used for nominal lengths up to 470 mm
- ▶ Suitable for cabinet width starting from 600 mm
- ▶ Total frame height 87 mm
- ▶ Frame set and container set must be ordered separately

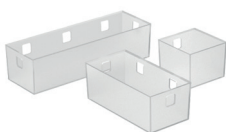
## Banio frame set



- ▶ Plastic

Grey	White	Dark grey	PU
9 153 387	9 153 385	9 207 259	1 set

## Banio container set



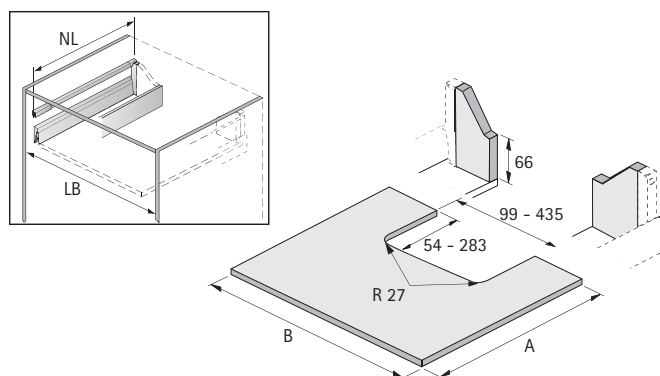
- ▶ The set comprises 3 trays
- ▶ 84 mm x 84 mm / 84 mm x 168 mm / 84 mm x 252 mm
- ▶ Plastic, translucent white

Set comprises:

- ▶ 3 trays, translucent plastic

translucent, white	translucent, dark grey	PU
9 153 388	9 207 260	1 set

## Dimensions for cutting to size



- ▶ Dimension A = NL + 10
- ▶ Dimension B = LB - 76.5



# InnoTech Aтира double walled drawer system

- ▶ Solutions with bottom cutout
- ▶ Powder coated steel, silver/white

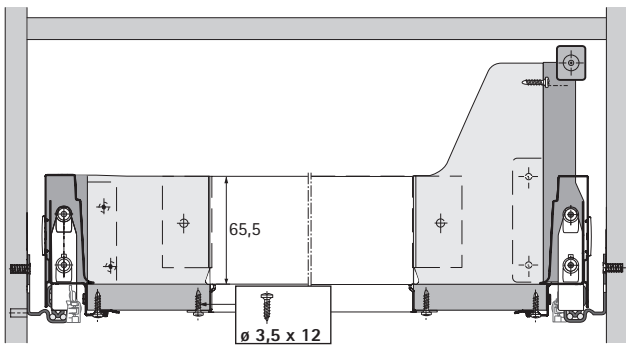


- ▶ For utilising the space below the sink
- ▶ For drawers and pot-and-pan drawers

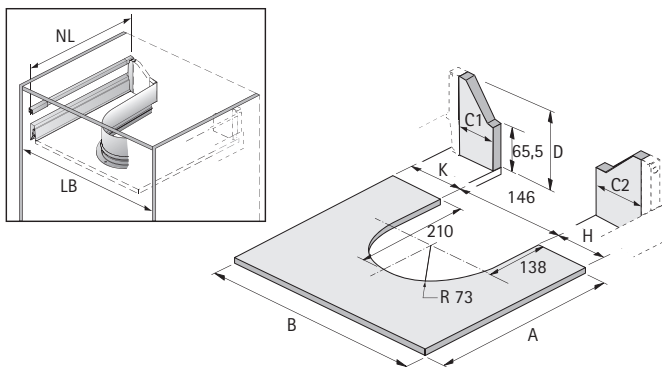
## Metal surround

Silver	White	Anthracite	PU
9 204 282	9 204 283	9 204 284	1 ea.

## Dimensional drawing



## Dimensions for cutting to size



- ▶ Dimension A = NL + 10
- ▶ Dimension B = LB - 76.5
- ▶ Dimension C1 = K - 20
- ▶ Dimension C2 = H - 20





# InnoTech Atira double walled drawer system

- ▶ Waste collecting systems
- ▶ Summary



**InnoTech Pull**

**58**



**Bin.it Vario**

**61**



**Bin.it Flex**

**62**



**Laundry basket pull-out InnoTech Pull Laundry**




**63**





# InnoTech Atira double walled drawer system

- ▶ Waste collecting systems
- ▶ Range summary / technical comparison

	InnoTech Pull	Bin.it Vario	Bin.it Flex
			
Page	58	61	62
Description	<ul style="list-style-type: none"> <li>▶ Top running for                             <ul style="list-style-type: none"> <li>- InnoTech Atira drawers</li> <li>- Quadro full extension runner</li> </ul> </li> <li>▶ Silent System</li> </ul>	<ul style="list-style-type: none"> <li>▶ Bottom running for pot-and-pan drawers</li> <li>▶ Bin system can be installed later as long as enough space is available inside the cabinet</li> </ul>	<ul style="list-style-type: none"> <li>▶ Bottom running for pot-and-pan drawers</li> <li>▶ Bin system can be installed later as long as enough space is available inside the cabinet</li> </ul>
For cabinet width mm	<ul style="list-style-type: none"> <li>▶ 300, 400, 450, 500 or 600 mm</li> </ul>	<ul style="list-style-type: none"> <li>▶ 300 mm</li> <li>▶ 450 - 600 mm</li> <li>▶ 600 - 1200 mm</li> </ul>	<ul style="list-style-type: none"> <li>▶ 600 mm</li> </ul>
Capacity l	Various bin combinations can be used ensuring the flexibility of this system	<ul style="list-style-type: none"> <li>▶ 17L + 8L</li> <li>▶ 17L + 2x 8L</li> <li>▶ 17L + 11L + 8L + 5L</li> </ul>	<ul style="list-style-type: none"> <li>▶ 2x 12L</li> </ul>
Optional opening systems	<ul style="list-style-type: none"> <li>▶ Easys electromechanical opening system</li> <li>▶ Push to open</li> <li>▶ Foot pedal</li> </ul>	<ul style="list-style-type: none"> <li>▶ Easys electromechanical opening system</li> <li>▶ Push to open</li> </ul>	<ul style="list-style-type: none"> <li>▶ Easys electromechanical opening system</li> <li>▶ Push to open</li> </ul>



# InnoTech Atira double walled drawer system

- ▶ Waste collecting systems behind front panels
- ▶ InnoTech Pull



- ▶ Top running waste collector for InnoTech Atira drawer, height 70 mm
- ▶ The InnoTech Pull frame is fitted instead of the drawer base
- ▶ Frame can be equipped as required with various bins and accessories
- ▶ Please order bin separately
- ▶ InnoTech Atira drawer components must be ordered separately
- ▶ Bin system can be used with Quadro V6 full extension Silent System and Push to open
- ▶ Powder coated steel, anthracite

Set comprises:

- ▶ 1 fitted frame including front stay and lid
- ▶ Fixing material

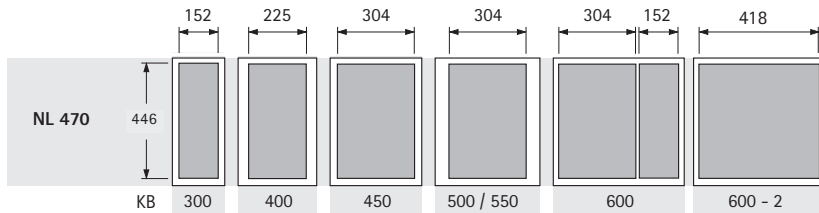
Page reference:

- ▶ For bins, see page 59
- ▶ For InnoTech Atira drawer components, see pages 10 - 12

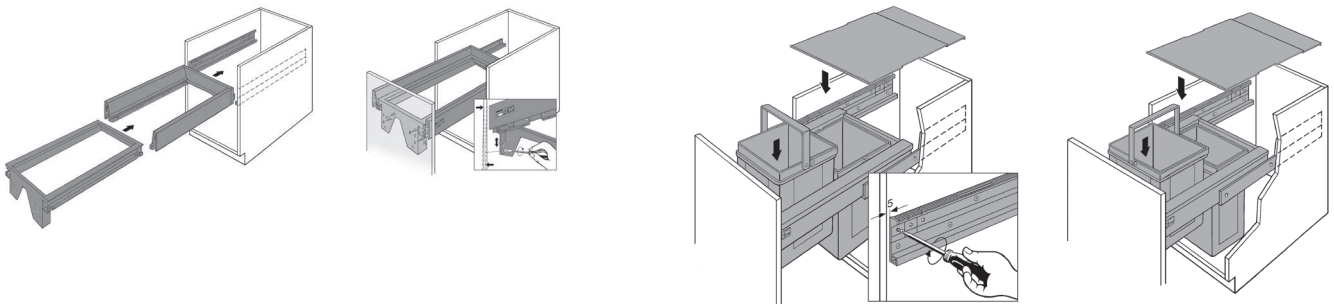
## InnoTech Pull frame

For carcase width mm	Type	Order no. / nominal length	PU
		470	
300		9 279 409	1 set
400		9 279 410	1 set
450		9 279 411	1 set
500		9 279 412	1 set
600		9 279 413	1 set
600	600 - 2 (for 2 x 40 l)	9 279 414	1 set

## Partitioning



## Installation



# InnoTech Atira double walled drawer system

- ▶ Waste collecting systems behind front panels
- ▶ InnoTech Pull



- ▶ For fitting any chosen component in the InnoTech Pull frame
- ▶ Plastic bin with sturdy double handle
- ▶ As standard, all bins are supplied without lid
- ▶ Lids must be ordered separately, see below
- ▶ The lid heights specified below are total dimensions, the overlay height for all lids is 2 mm

Page reference:

- ▶ For InnoTech Pull frame, see page 58

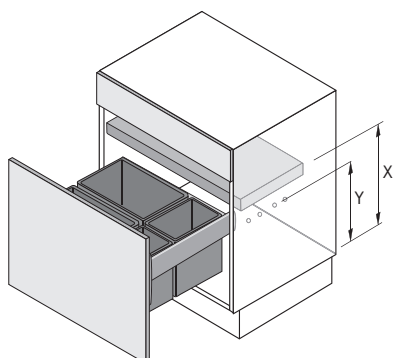
## Bin

Article	Material / finish	Width mm	Depth mm	Height mm	Order no.	PU
Bin 8 l	Plastic, anthracite	152	225	295	<b>9 279 390</b>	1 ea.
Bin 11 l	Plastic, anthracite	152	304	295	<b>9 279 391</b>	1 ea.
Bin 17 l	Plastic, anthracite	225	304	295	<b>9 279 392</b>	1 ea.
Bin 29 l	Plastic, anthracite	225	304	460	<b>9 279 393</b>	1 ea.
Bin 40 l	Plastic, anthracite	223	418	505	<b>9 279 394</b>	1 ea.

## Lid

Article	Material / finish	Width mm	Depth mm	Height mm	Order no.	PU
Lid 8 l	Plastic, anthracite	152	225	21	<b>9 279 396</b>	1 ea.
Lid 11 l	Plastic, anthracite	152	304	21	<b>9 279 397</b>	1 ea.
Lid 17 / 29 l	Plastic, anthracite	225	304	21	<b>9 279 398</b>	1 ea.
Lid 40 l	Plastic, anthracite	223	418	21	<b>9 279 399</b>	1 ea.

## Planning dimensions



Bin height mm	X mm	Y mm
295	395	295
460	560	460
505	605	505



# InnoTech Atira double walled drawer system

- ▶ Waste collecting systems behind front panels
- ▶ InnoTech Pull, all-inclusive sets



- ▶ Top running waste collector for InnoTech Atira drawer, height 70 mm
- ▶ The InnoTech Pull frame is fitted instead of the drawer base
- ▶ Frame can be equipped as required with various bins and accessories
- ▶ Please order bin separately
- ▶ InnoTech Atira drawer components must be ordered separately
- ▶ Bin system can be used with Quadro V6 full extension Silent System and Push to open
- ▶ Powder coated steel, anthracite

Set comprises:

- ▶ 1 fitted frame including front stay and lid
- ▶ Bins
- ▶ Fixing material

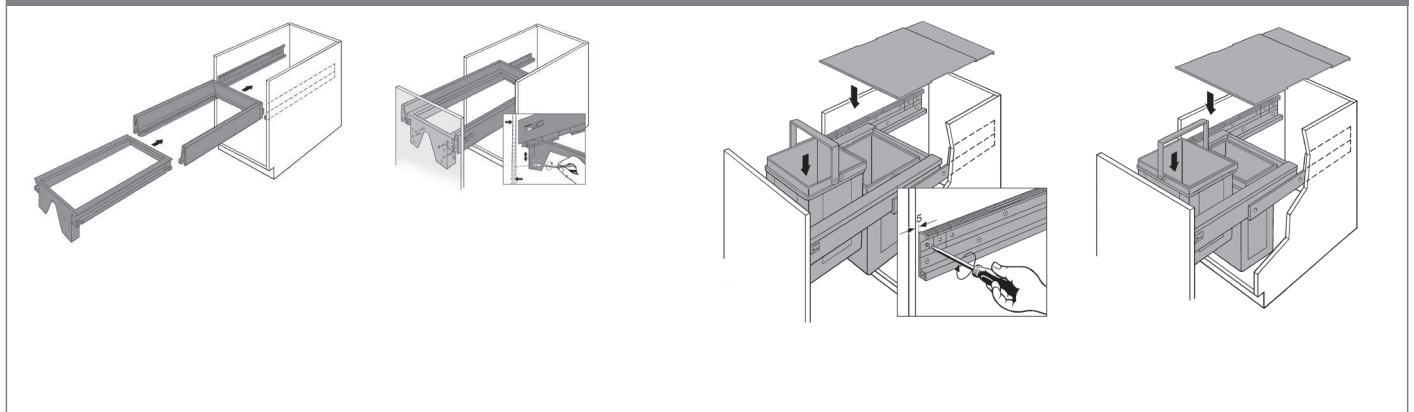
Page reference:

- ▶ For InnoTech Atira drawer components, see pages 10 - 12

## InnoTech Pull, all-inclusive sets

For carcase width mm	Capacity bins	Order no.	PU
400	29 l + 8 l	<b>9 304 683</b>	1 set
450	17 l + 17 l	<b>9 304 684</b>	1 set
450	29 l + 29 l	<b>9 304 685</b>	1 set
500	17 l + 17 l	<b>9 304 686</b>	1 set
500	29 l + 29 l	<b>9 304 687</b>	1 set
600	29 l + 29 l + 8 l + 8 l	<b>9 304 688</b>	1 set
600	40 l + 40 l	<b>9 304 689</b>	1 set

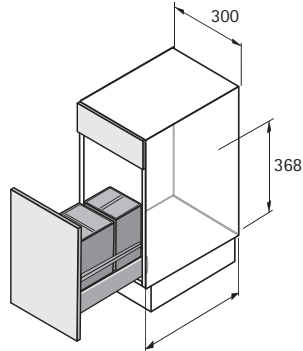
## Installation



# InnoTech Atira double walled drawer system

- ▶ Waste collecting systems behind front panels
- ▶ Bin.it Vario

## Bin.it Vario 300



AvanTech YOU / ArciTech = NL 500  
InnoTech Atira = NL 470 / 520

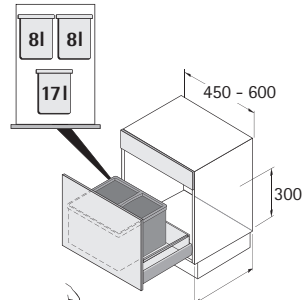
- ▶ For use in pot-and-pan drawer, e.g. InnoTech Atira, nominal length (NL) 470 / 520 mm or for ArciTech, nominal length (NL) 500 mm
- ▶ For cabinet width 300 mm
- ▶ Capacity 25 litres
- ▶ Installed height 312 mm
- ▶ Cut dimensions of insert tray: max. width 220 mm, max. depth 565 mm min. width 205 mm, min. depth 400 mm
- ▶ Insert tray, bin and lid, grey plastic

Set comprises:

- ▶ 2 bins with lid 17L + 8L
- ▶ 1 insert tray

Order no.	PU
9 207 645	1 set

## Bin.it Vario 450 - 600



AvanTech YOU / ArciTech = NL 500 / 550  
InnoTech Atira = NL 470 / 520

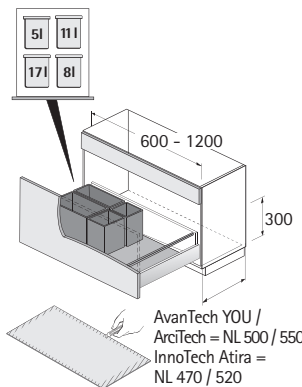
- ▶ For use in pot-and-pan drawer, e.g. InnoTech Atira, nominal length (NL) 470 / 520 mm or for ArciTech, nominal length (NL) 500 mm
- ▶ For cabinet width 450 - 600 mm by cutting the anti-slip insert mat to size
- ▶ Capacity 33 litres
- ▶ Installed height 297 mm
- ▶ Cut dimensions of the insert mat: max. width 565 mm, max. depth 565 mm min. width 311 mm, min. depth 456 mm
- ▶ Insert mat, bin and lid, grey plastic

Set comprises:

- ▶ 3 bins with lid 17L + 8L + 8L
- ▶ 1 insert mat

Order no.	PU
9 105 101	1 set

## Bin.it Vario 600 - 1200



AvanTech YOU / ArciTech = NL 500 / 550  
InnoTech Atira = NL 470 / 520

- ▶ For use in pot-and-pan drawer, e.g. InnoTech Atira, nominal length (NL) 470 / 520 mm or for ArciTech, nominal length (NL) 500 mm
- ▶ For cabinet width 600 - 1200 mm by cutting the anti-slip insert mat to size
- ▶ Capacity 41 litres
- ▶ Installed height 297 mm
- ▶ Cut dimensions of the insert mat: max. width 1125 mm, max. depth 565 mm min. width 468 mm, min. depth 456 mm
- ▶ Insert mat, bin and lid, grey plastic

Set comprises:

- ▶ 4 bins with lid 17L + 11L + 8L + 5L
- ▶ 1 insert mat

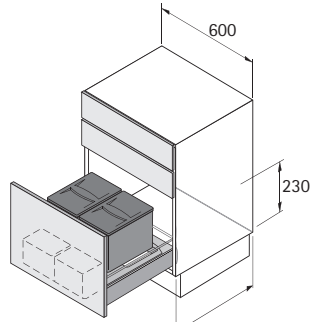
Order no.	PU
9 079 921	1 set



# InnoTech Atira double walled drawer system

- ▶ Waste collecting systems behind front panels
- ▶ Bin.it Flex

## Bin.it Flex 600



AvanTech YOU /  
ArciTech = NL 450 / 500  
InnoTech Atira = NL 470

- ▶ For use in pot-and-pan drawer, e.g. ArciTech, nominal length (NL) 450 / 500 mm or for InnoTech Atira, nominal length (NL) 470 mm
- ▶ For cabinet width 600 mm
- ▶ Capacity 24 litres
- ▶ Installed height 230 mm from upper edge of drawer base
- ▶ Insert tray can be cut to size, dimensions for cutting to size: max. width 540 mm, max. depth 490 mm min. width 503 mm, min. depth 422 mm
- ▶ Insert tray, bin and lid, grey plastic
- ▶ Storage trays, translucent plastic

Set comprises:

- ▶ 2 bins with lid 12L + 12L
- ▶ 2 storage trays
- ▶ 1 insert tray

Order no.	PU
9 132 349	1 set

## Replacement bin / lid

Replacement bin / lid	W x D x H mm	Order no.	PU
12 l, grey plastic	310 x 223 x 230	9 136 187	1 ea.

**Note:** All replacement bins are supplied without lid.





# InnoTech Atira double walled drawer system

## ▶ Laundry basket pull-out InnoTech Pull Laundry



- ▶ Laundry basket pull-out for InnoTech Atira drawers, height 70 mm
- ▶ For nominal length (NL) 470 mm
- ▶ For carcase width 600 mm
- ▶ The InnoTech Pull Laundry frame is fitted instead of a drawer bottom panel
- ▶ Including two removable laundry baskets with handles
- ▶ InnoTech Atira drawer components must be ordered separately
- ▶ Frame, powder coated, silver
- ▶ Laundry baskets, white plastic

### InnoTech Pull Laundry



#### Set comprises:

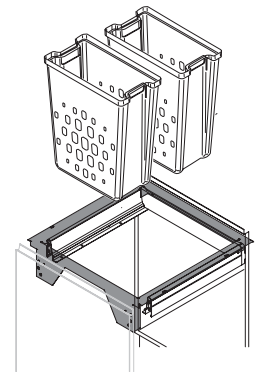
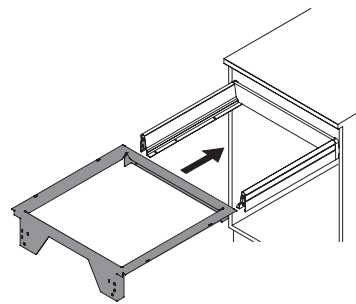
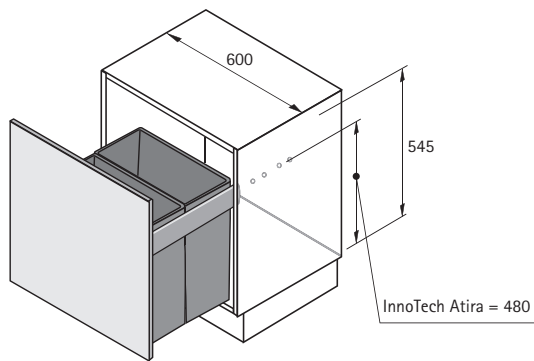
- ▶ 1 fitted frame including front stay
- ▶ 2 laundry baskets, 40L each
- ▶ Fixing material

#### Page reference:

- ▶ For InnoTech Atira drawer components, see pages 14 - 16

Order no.	PU
9 207 636	1 set

### Planning dimensions



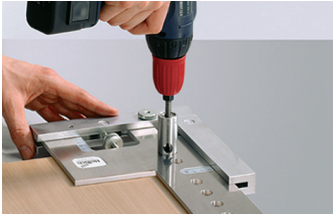
# InnoTech Atira double walled drawer system

- ▶ Assembly aids and drilling jigs
- ▶ Summary



Assembly aids for drawers

69



Drilling jigs and hole marking jigs

70





# InnoTech Atira double walled drawer system

- ▶ Assembly aids for drawers
- ▶ InnoFit / InnoFit Atira

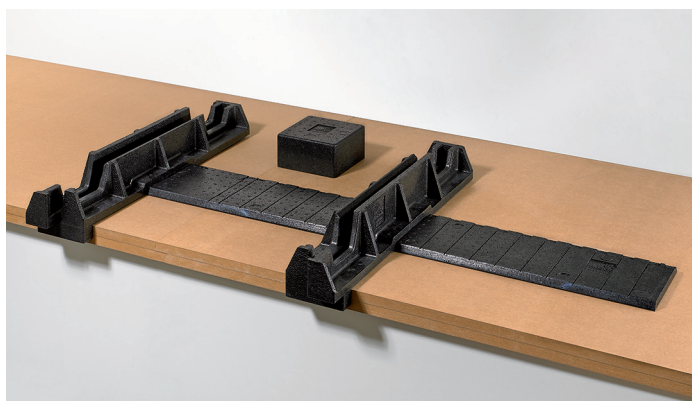
## InnoFit 300



- ▶ For assembling InnoTech / Innotech Atira drawers and pot-and-pan drawers
- ▶ Manual component positioning, pneumatic pressing
- ▶ All settings can be made without the need for tools
- ▶ Air pressure 6 - 8 bar / 100 psi
- ▶ Capacity: up to 65 drawers an hour
- ▶ Metal frame

Order no.	PU
9 019 743	1 ea.

## InnoFit 100



- ▶ For assembling InnoTech / Innotech Atira drawers and pot-and-pan drawers
- ▶ Manual component positioning and assembling
- ▶ All settings can be made without the need for tools
- ▶ Capacity: up to 15 drawers an hour

Order no.	PU
0 045 555	1 ea.

## Assembly jig InnoTech Atira wooden rear panel



- ▶ For installing ArciTech / InnoTech / InnoTech Atira wooden and aluminium rear panels
- ▶ Manual component positioning and assembling
- ▶ All settings can be made without the need for tools

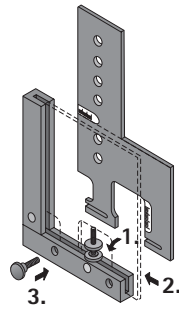
Order no.	PU
9 184 693	1 ea.



# InnoTech Atira double walled drawer system

- ▶ Drilling jigs and hole marking jigs
- ▶ Face angle application, Practica and sleeve drills

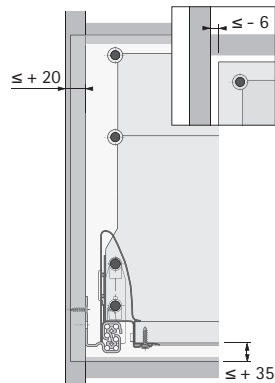
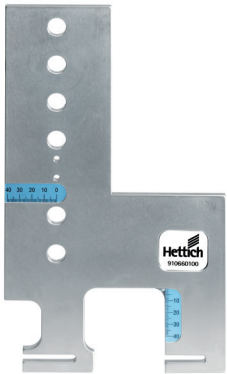
## Face angle application



- ▶ Face angle application for combination with Practica drilling jig for InnoTech Atira
- ▶ Aluminium

Order no.	PU
0 078 093	1 ea.

## Practica for InnoTech



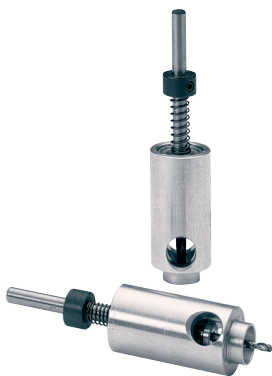
- ▶ For fitting the front panel connector for
  - InnoTech Atira drawer / pot-and-pan drawer
- ▶ Adjustment range
  - Side front panel overlay: up to - 6 mm, up to + 20 mm
  - Front panel height: up to + 35 mm from bottom edge of base
- ▶ Aluminium
- ▶ Please order sleeve drill accessories separately

Page reference:

- ▶ For accessory sleeve drill, see below

Order no.	PU
0 013 392	1 ea.

## Sleeve drill



- ▶ Minimal drill wear as the drill bit does not come into contact with the jig
- ▶ Precision drill bit guidance through sleeve
- ▶ Adjustable drill depth stop
- ▶ Can be used with Accura, Practica, Lift Advanced drilling jigs

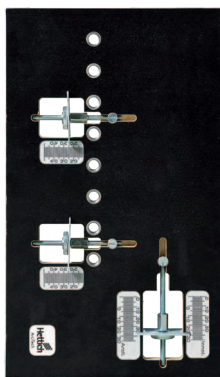
Diameter mm	Order no.	PU
3	0 078 095	1 ea.
10	0 078 096	1 ea.



# InnoTech Atira double walled drawer system

- ▶ Drilling jigs and hole marking jigs
- ▶ Practica 200

## Practica 200 fo InnoTech Atira



- ▶ For fitting the front panel connector
- ▶ Plywood
- ▶ Hardened steel drilling bushes for 10 mm drill bits with depth setting ring
- ▶ Adjustment range
  - Side front panel overlay: up to -6 mm, up to +20 mm
  - Front panel height: up to +35 mm from bottom edge of base

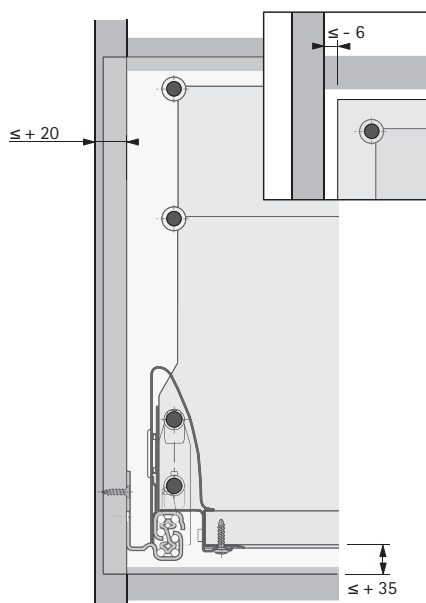
Order no.	PU
9 162 018	1 ea.

## Planning Dimension

<http://www.hettich.com/short/5b9550>



### InnoTech Atira



# InnoTech Atira double walled drawer system

- ▶ Drilling jigs and hole marking jigs
- ▶ BlueJig IT and EB drilling jig

## BlueJig IT

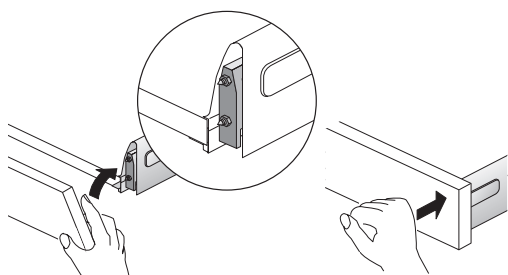


- ▶ For marking the holes for fitting InnoTech / InnoTech Atira drawer front connector
- ▶ Plastic / steel

Set comprises:

- ▶ 2 BlueJig IT

Order no.	PU
0 078 097	1 set



Insert hole marking jig  
in drawer profile

Align front panel  
and mark drilling  
pattern

## EB drilling jig



- ▶ Drilling jig for drilling positions for attaching InnoTech side stabiliser (order no. 9 079 333)
- ▶ Plastic, white

Installed width mm	Order no.	PU
12,5	9 080 311	1 ea.



# Installation, Adjustments and Technical Information

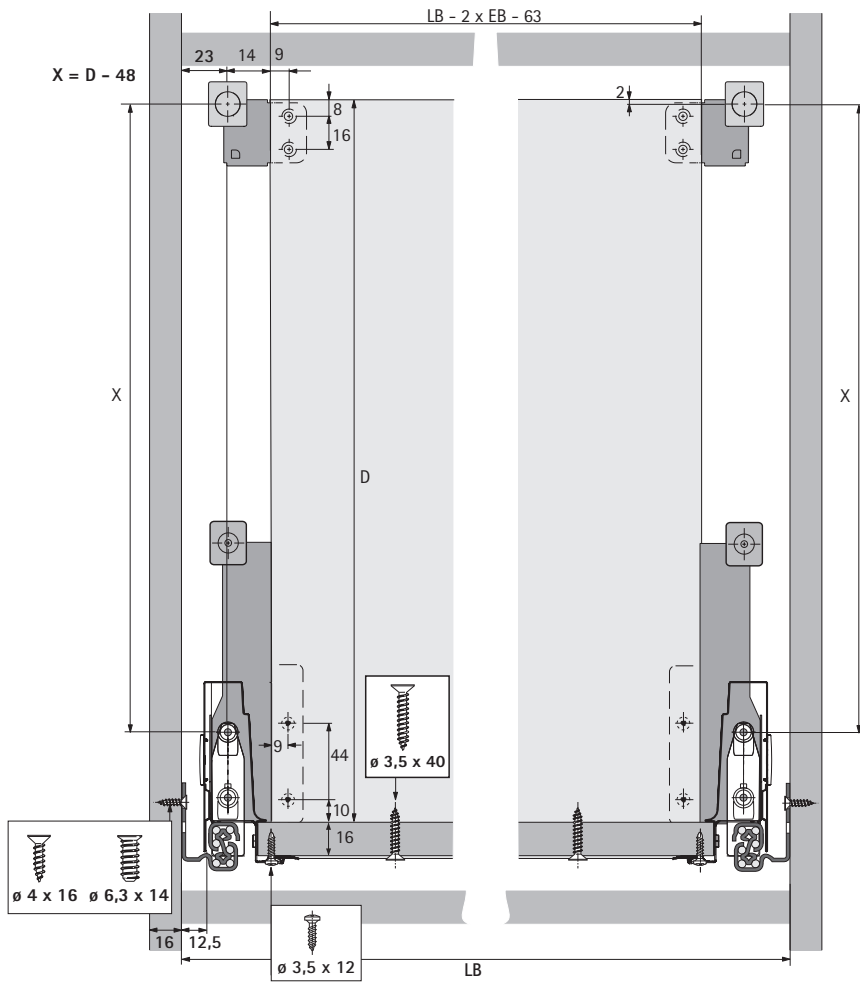
---



# InnoTech Atira double walled drawer system

- ▶ Pot-and-pan drawer with railing, customised rear panel height
- ▶ Technical information

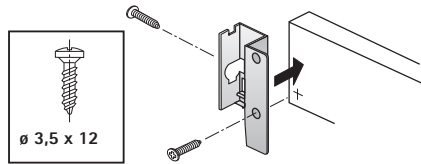
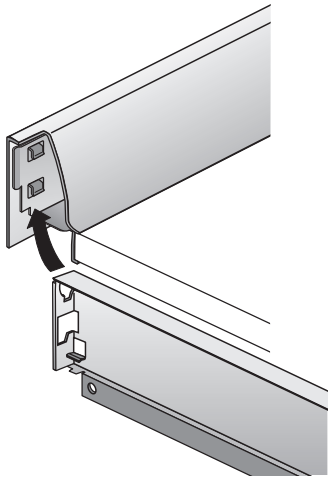
## Planning dimensions



# InnoTech Atira double walled drawer system

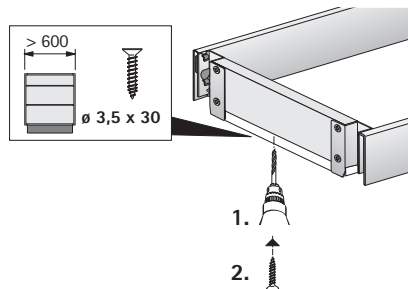
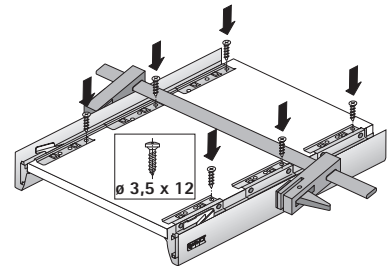
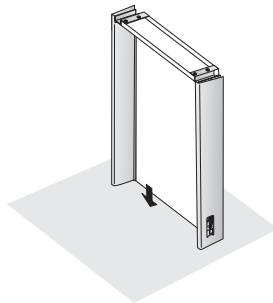
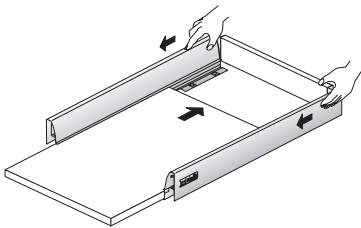
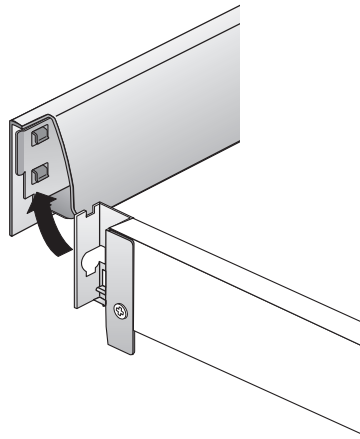
## ► Installation, adjustment, removal

### Assembling drawer, height 54 mm



InnoFit 300

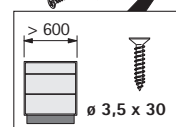
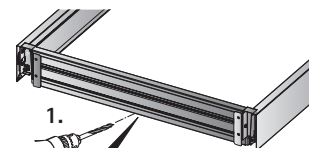
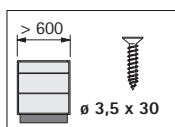
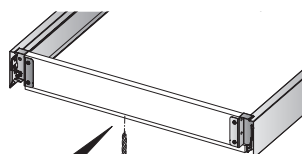
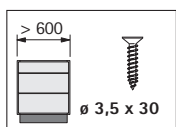
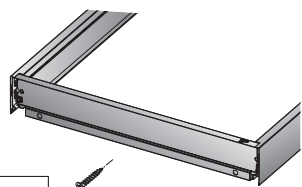
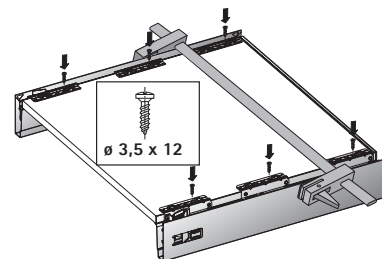
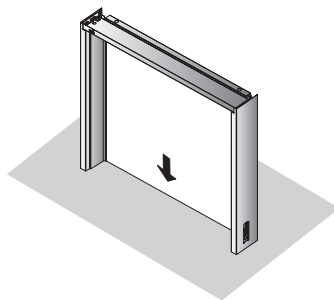
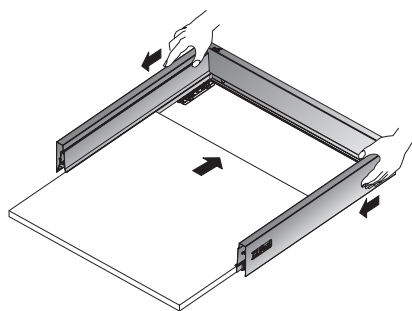
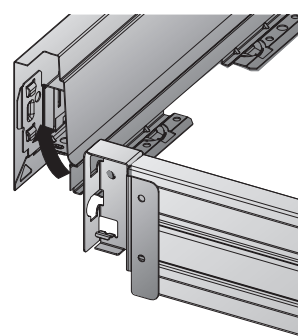
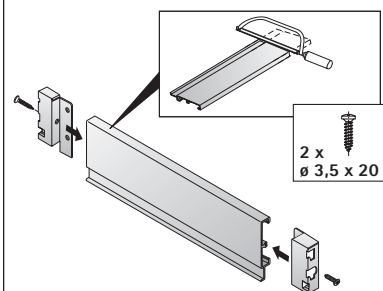
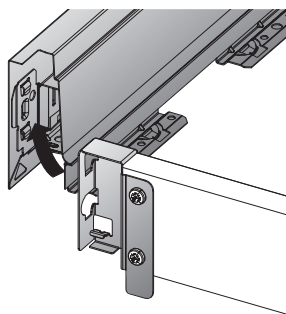
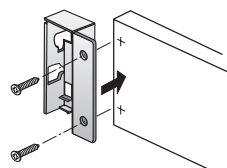
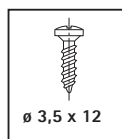
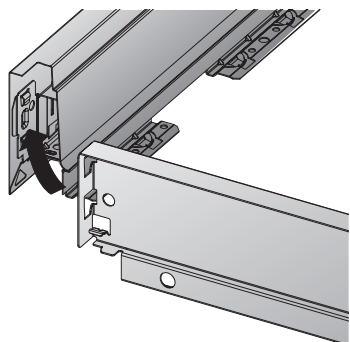
<http://www.hettich.com/short/7d9219>



# InnoTech Atira double walled drawer system

## ► Installation, adjustment, removal

### Assembling drawer, height 70 mm

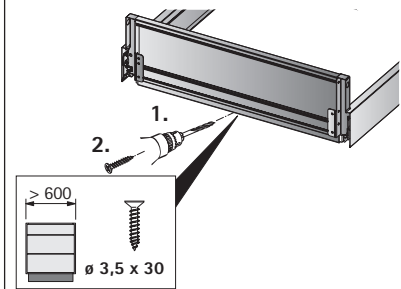
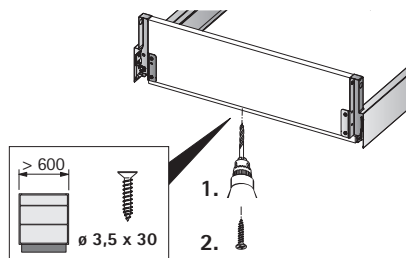
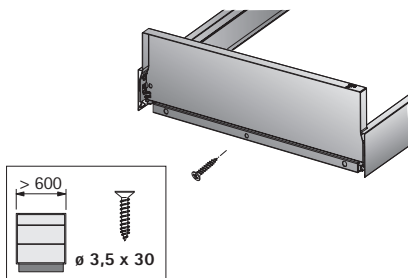
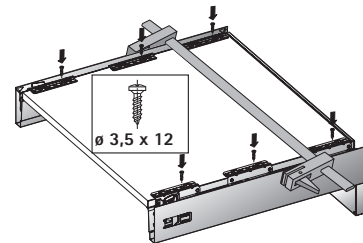
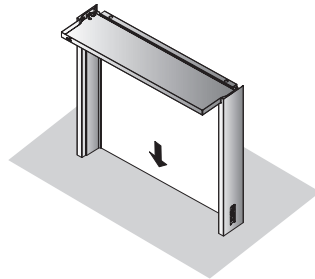
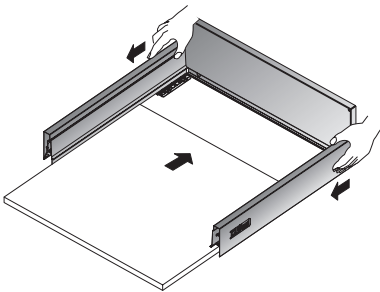
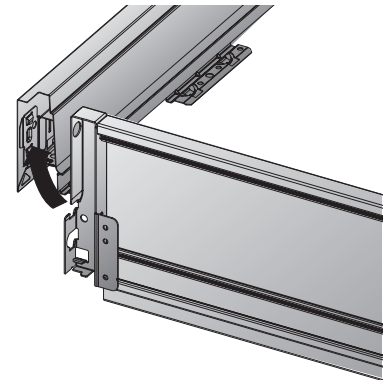
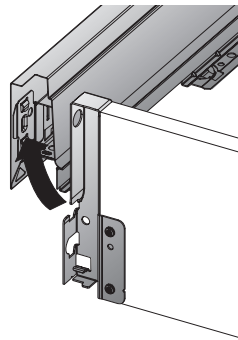
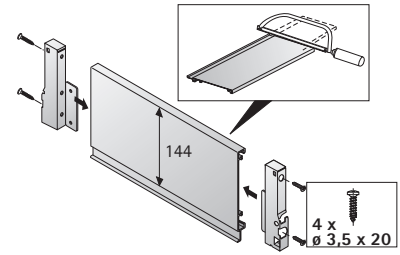
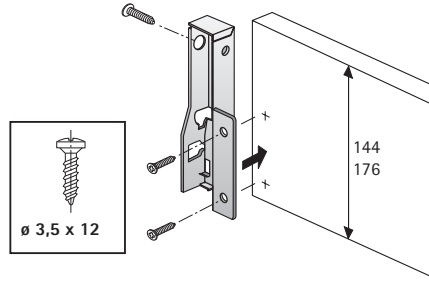
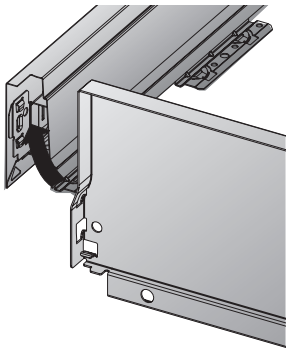




# InnoTech Atira double walled drawer system

## ► Installation, adjustment, removal

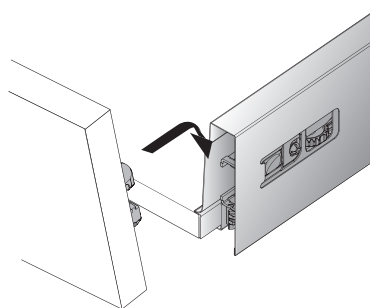
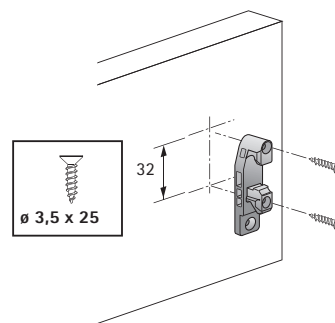
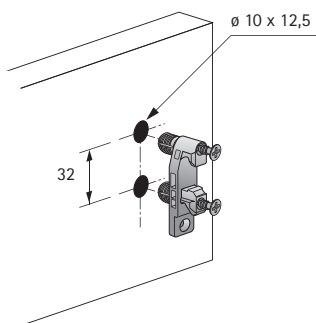
### Assembling pot-and-pan drawer, height 144 mm / 176 mm



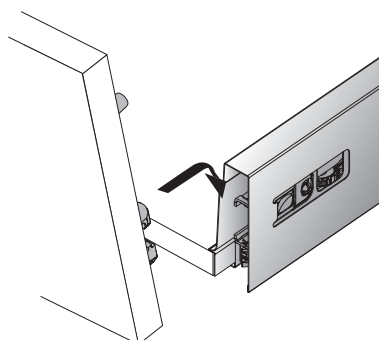
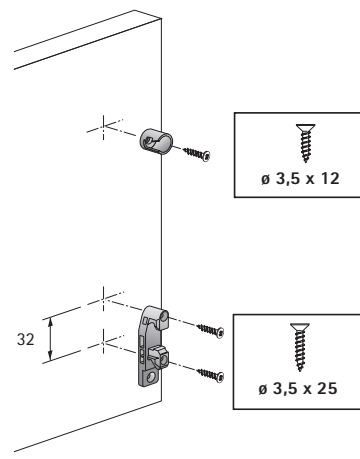
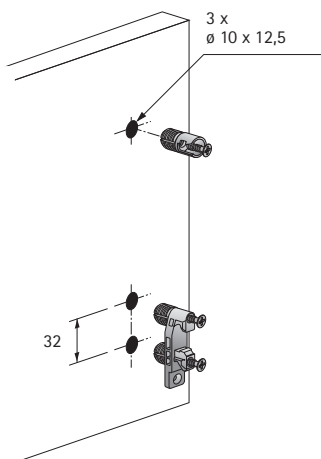
# InnoTech Atira double walled drawer system

## ► Installation, adjustment, removal

### Installing front panel, drawer, height 54 mm / 70 mm



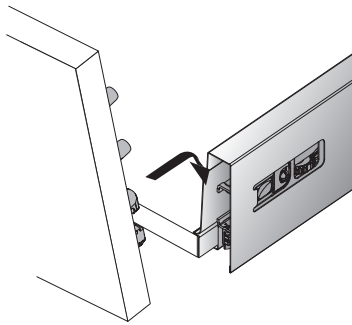
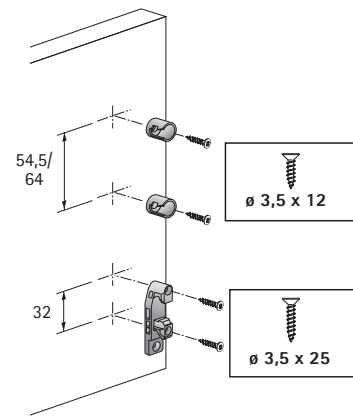
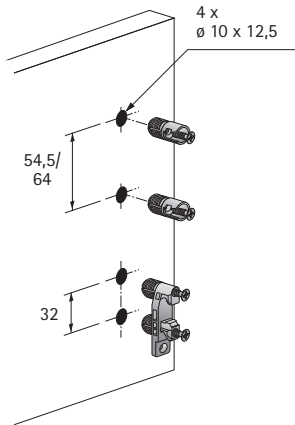
### Installing front panel, pot-and-pan drawer with railing, height 144 mm / 176 mm



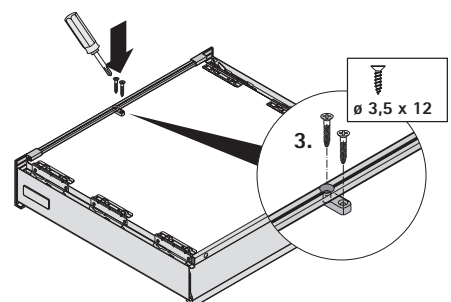
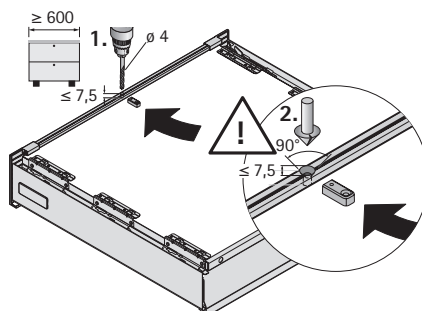
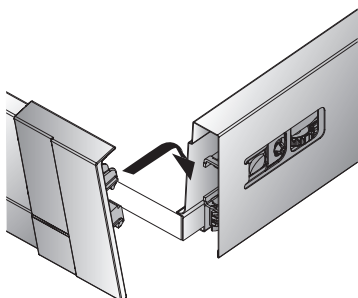
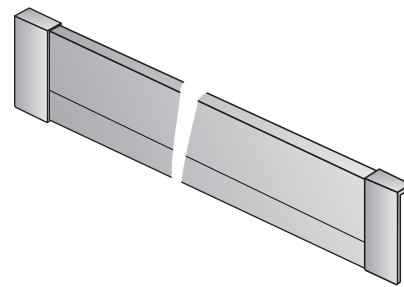
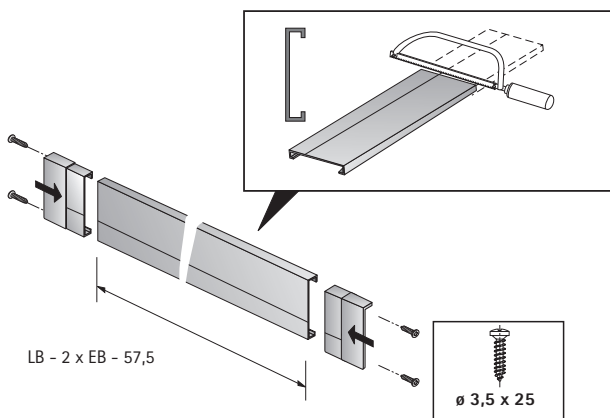
# InnoTech Atira double walled drawer system

## ► Installation, adjustment, removal

### Installing front panel, pot-and-pan drawer with double railing, height 176 mm



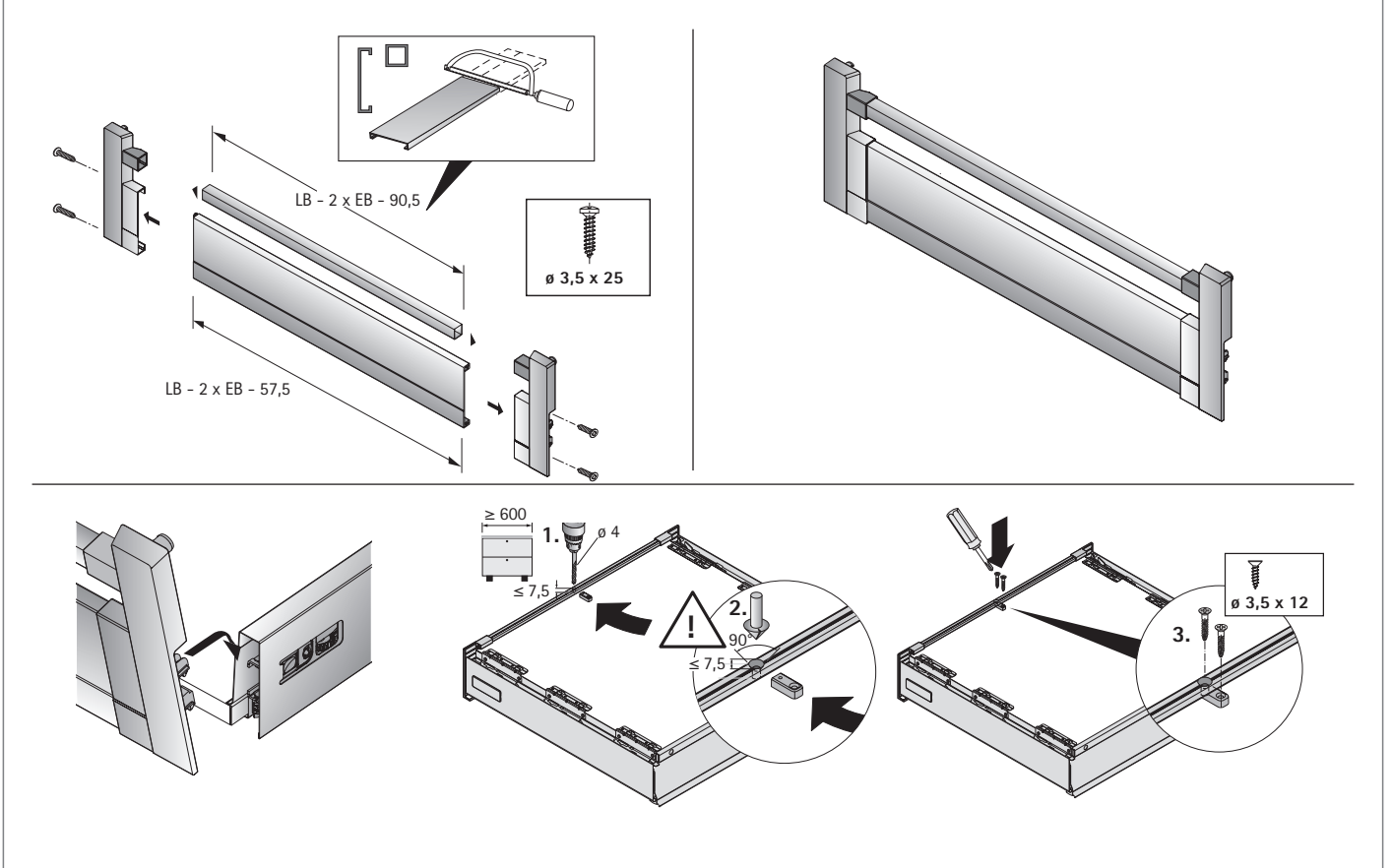
### Installing front panel, internal drawer 100, height 70 mm



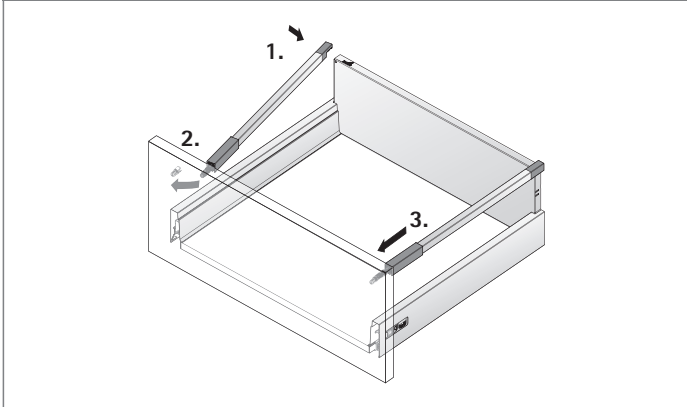
# InnoTech Atira double walled drawer system

## ► Installation, adjustment, removal

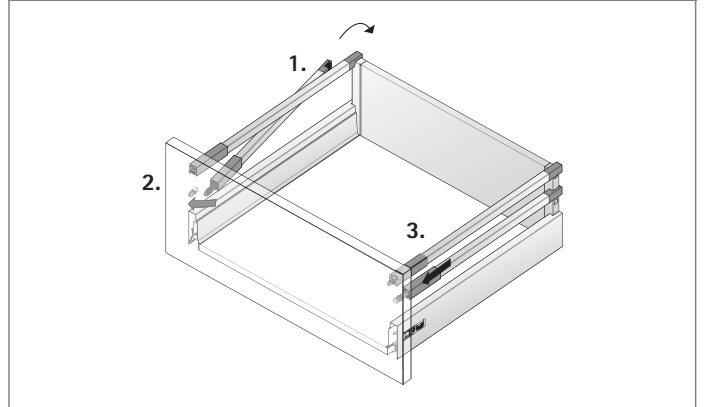
### Installing front panel, internal pot-and-pan drawer 100 with railing, height 144 mm



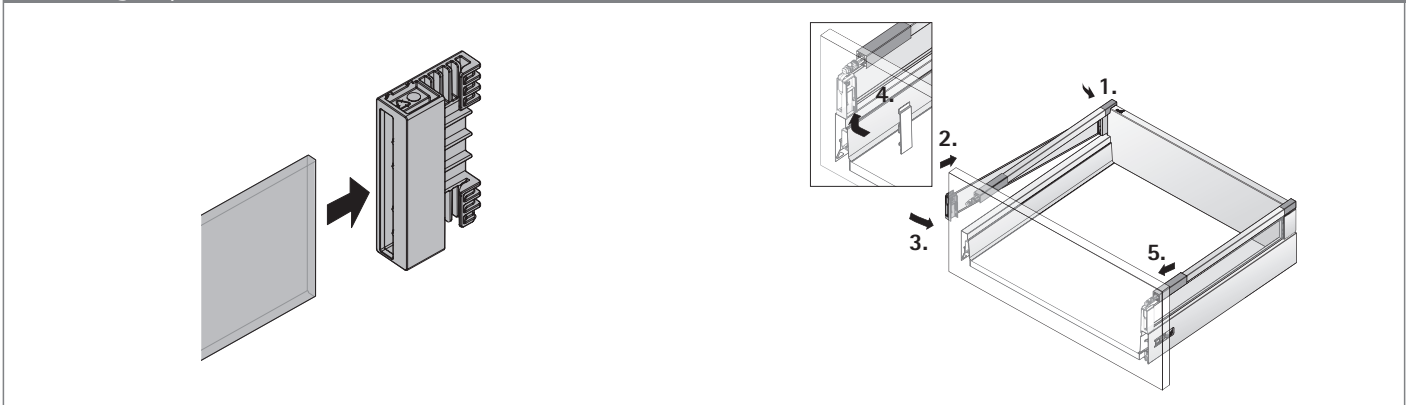
### Installing lengthwise railing



### Installing double railing, height 176 mm



### Installing TopSide

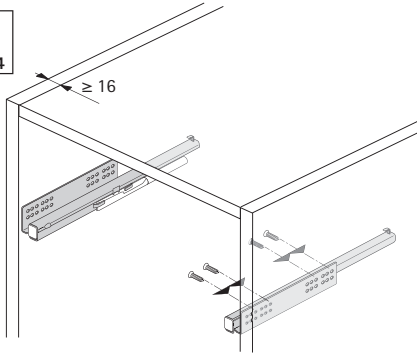


# InnoTech Atira double walled drawer system

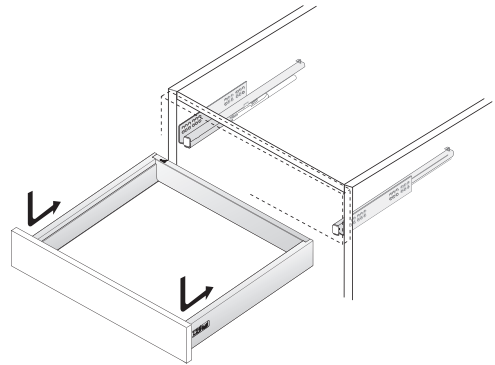
## ► Installation, adjustment, removal

### Installing Quadro drawer runner

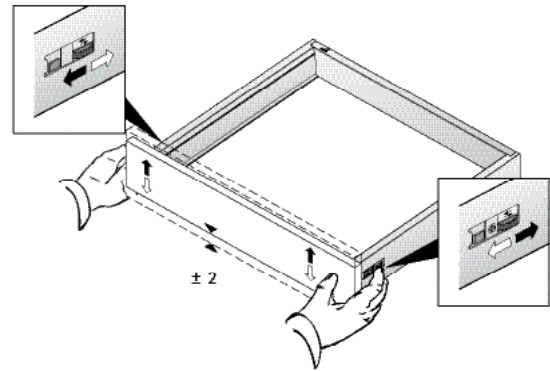
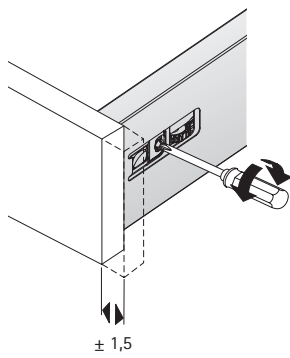
$\varnothing 4 \times 16$   $\varnothing 6,3 \times 14$



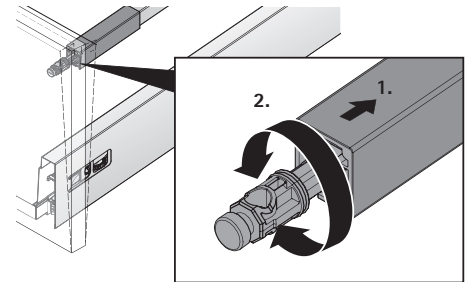
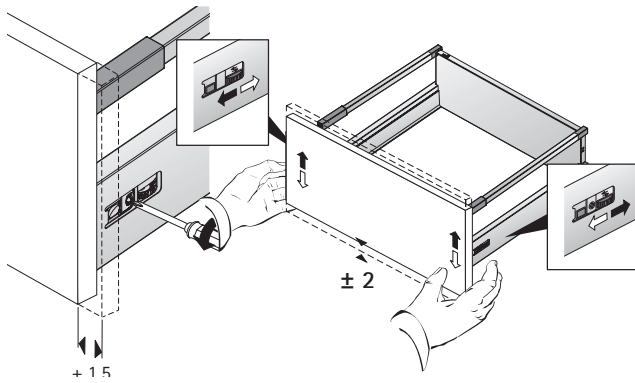
### Installing drawer



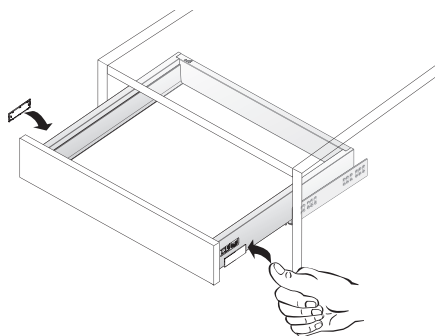
### Adjusting front panel, drawer



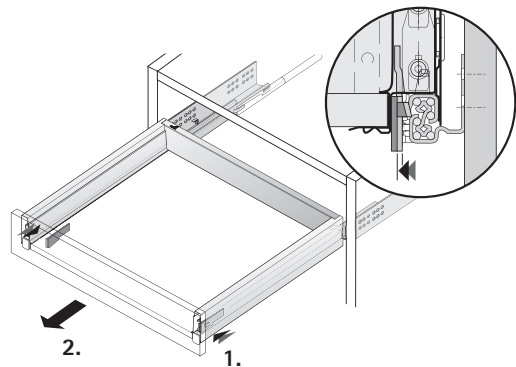
### Adjusting front panel, pot-and-pan drawer with railing



### Installing cover cap



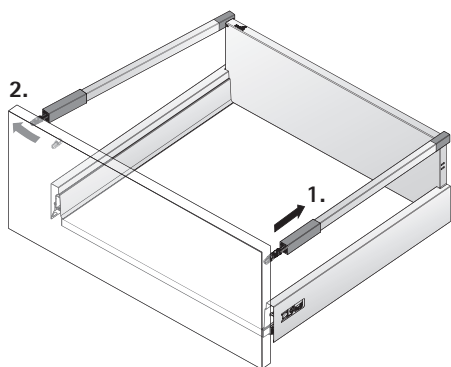
### Removing drawer



# InnoTech Atira double walled drawer system

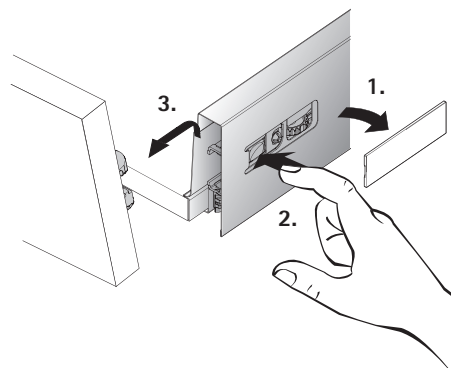
## ► Installation, adjustment, removal

### Removing railing

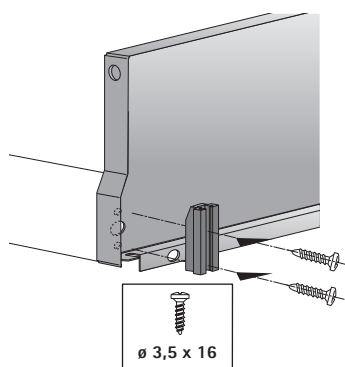
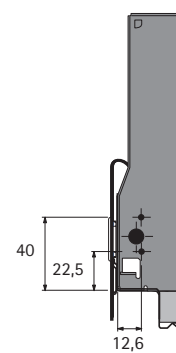
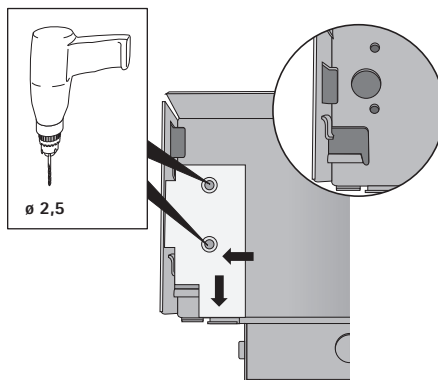
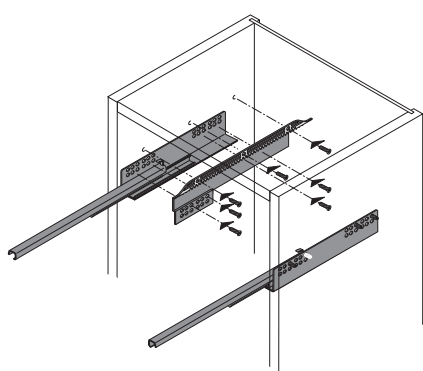


### Removing front panel

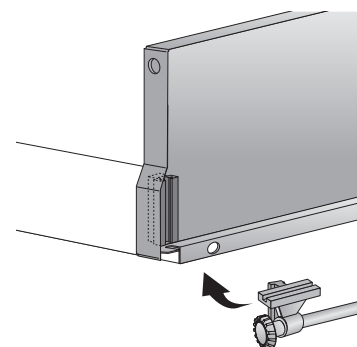
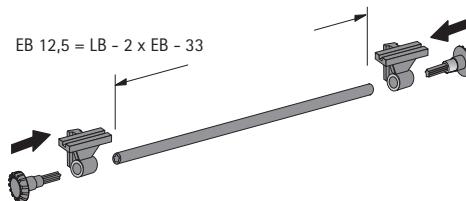
Drawer  
Pot-and-pan drawer  
Internal drawer 100  
Internal pot-and-pan drawer 100



### Installing side stabiliser



EB 12,5 = LB - 2 x EB - 33



# Drawer systems

## ► Quality criteria

### Quality that meets all the demands

The quality of the drawer systems is monitored continuously. Hettich fittings comply with the national and international quality standards of the markets our customers operate in. The diagrams below show some of the tests Hettich fittings are required to pass.

#### Application

Hettich drawer systems are suitable for use in living room, kitchen, bathroom and office furniture both in the home and business environment.

#### Load capacity and pull-out guard

The load capacity (to DIN EN 15338) stated in the catalogue is understood to mean the weight of the drawer itself including front panel and contents in kg. The applicable level is shown on the product. Load capacity relates to a reference length of 500 mm. The load capacity may vary for other nominal lengths. All Hettich drawer

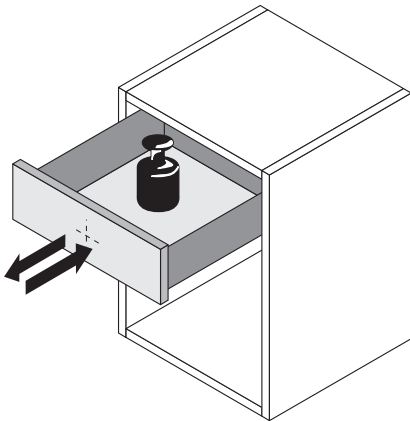
systems feature guards to prevent the drawer from rolling out and being removed unintentionally and meet the requirements of the impact test in a test frame to EN 15338. Fitted in the proper manner, the drawer systems are suitable for furniture defined in EN 14749. The maximum front panel height is governed in particular by material, drawer size and drawer runner. Testing is conducted on drawers with a 130 mm front panel height and pot-and-pan drawers with a 300 mm front panel height. We will be pleased to provide any further information you may require.

#### Corrosion test

Hettich runner systems satisfy the requirements on corrosion defined in EN 15338, 72-hour condensation water test to EN 6270.

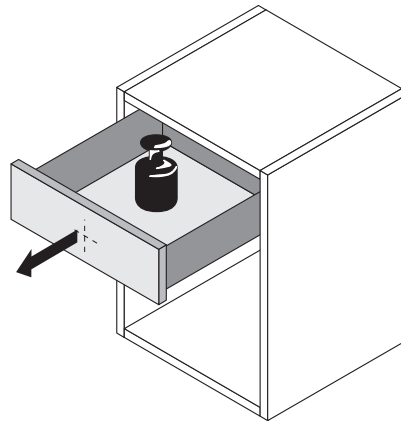
### Wear test

The fully laden drawer must remain in proper working order after a defined number of opening and closing operations at a defined test velocity.



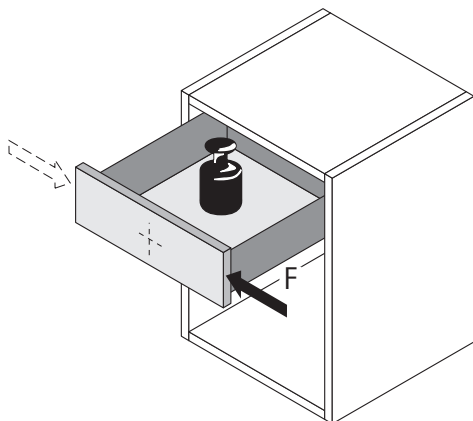
### Retention-on-opening test

The fully laden drawer is abruptly opened all the way several times at a defined test velocity.



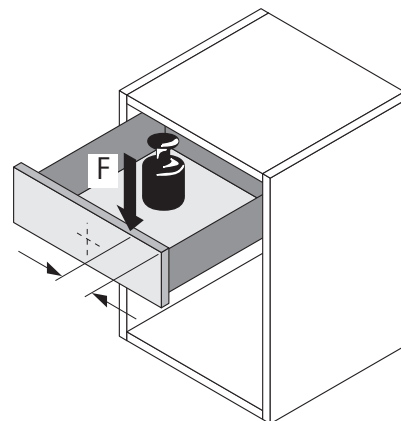
### Horizontal load test

Opened all the way, the fully laden drawer is additionally exposed to horizontal strain with a defined lateral force.



### Vertical strain test

Opened all the way, the drawer is additionally exposed to vertical strain with a defined eccentric force.



# Order number index

Order no.	Page
0 010 085	44
0 013 392	66
0 013 952	44
0 025 048	45
0 044 934	52
0 045 167	65
0 045 168	44
0 045 555	69
0 051 265	44
0 072 120	45
0 074 430	52
0 078 093	66
0 078 095	66
0 078 096	66
0 078 097	68
1 061 450	7, 10, 15
1 061 965	15, 21
1 062 501	10
1 062 502	10
1 063 801	7
1 063 802	7
1 064 450	21
1 065 191	7, 10, 15, 21
9 002 506	15
9 003 473	7
9 003 474	7
9 005 503	21
9 005 931	49
9 007 355	14
9 007 356	14
9 019 743	65
9 027 831	20
9 027 832	20
9 079 207	52
9 079 232	43
9 079 298	45
9 079 333	42
9 079 921	61
9 080 311	42, 68
9 101 300	30
9 101 301	30
9 104 107	25
9 105 101	61
9 117 782	25
9 117 988	30
9 117 991	30
9 117 993	32
9 117 994	32
9 117 995	32
9 117 997	32
9 118 013	30
9 118 014	30
9 118 016	30
9 118 018	30
9 118 019	30
9 118 020	30
9 118 054	30

Order no.	Page
9 125 589	30
9 125 590	30
9 125 601	30
9 125 602	30
9 125 603	30
9 125 604	30
9 125 605	30
9 125 606	30
9 125 608	30
9 126 346	32
9 126 347	32
9 126 348	32
9 126 645	32
9 132 349	62
9 136 187	62
9 153 385	54
9 153 387	54
9 153 388	54
9 159 023	28
9 159 024	28
9 159 025	28
9 159 026	28
9 159 027	28
9 159 028	28
9 159 029	28
9 159 030	28
9 162 018	67
9 165 607	30
9 182 230	51
9 182 231	51
9 182 233	51
9 182 234	51
9 182 249	51
9 182 250	51
9 184 693	65
9 194 390	10, 14, 20
9 194 391	10, 14, 20
9 194 392	10, 14, 20
9 194 393	10, 14, 20
9 194 394	10, 14, 20
9 194 395	10, 14, 20
9 194 396	10, 14, 20
9 194 397	10, 14, 20
9 194 398	10, 14, 20
9 194 399	10, 14, 20
9 194 400	10, 14, 20
9 194 401	10, 14, 20
9 194 402	10, 14, 20
9 194 403	10, 14, 20
9 194 404	10, 14, 20
9 194 405	10, 14, 20
9 194 406	10, 14, 20
9 194 407	10, 14, 20
9 194 408	10, 14, 20
9 194 409	10, 14, 20
9 194 410	10, 14, 20
9 194 411	10, 14, 20

Order no.	Page
9 194 415	10, 14, 20
9 194 416	10, 14, 20
9 194 417	10, 14, 20
9 194 432	7
9 194 433	7
9 194 522	14, 20
9 194 523	14, 20
9 194 524	14, 20
9 194 525	14, 20
9 194 526	14, 20
9 194 527	14, 20
9 194 528	14, 20
9 194 529	14, 20
9 194 530	14, 20
9 194 531	14, 20
9 194 532	14, 20
9 194 533	14, 20
9 194 534	14, 20
9 194 535	14, 20
9 194 536	14, 20
9 194 537	14, 20
9 194 538	14, 20
9 194 539	14, 20
9 194 540	14, 20
9 194 541	14, 20
9 194 542	14, 20
9 194 543	14, 20
9 194 544	14, 20
9 194 545	14, 20
9 194 546	14, 20
9 194 547	14, 20
9 194 548	14, 20
9 194 549	14, 20
9 194 614	14, 20
9 194 615	14, 20
9 194 616	25, 50
9 194 617	50
9 194 618	50
9 194 619	50
9 194 620	50
9 194 621	50
9 194 622	50
9 194 623	7
9 194 624	7
9 194 627	10
9 194 628	10
9 194 635	14
9 194 636	14
9 194 639	20
9 194 640	20
9 194 643	7, 11, 15, 21
9 194 644	7, 11, 15, 21
9 194 646	7, 11, 15, 21
9 194 647	7, 11, 15, 21
9 194 649	11, 15, 21
9 194 650	7, 11, 15, 21
9 194 652	7, 11, 15, 21

Order no.	Page
9 194 660	22
9 194 661	22
9 194 663	16
9 194 664	16
9 194 665	16
9 194 666	16
9 194 667	16
9 194 668	16
9 194 669	16
9 194 670	22
9 194 671	22
9 194 672	22
9 194 673	22
9 194 674	22
9 194 675	22
9 194 676	22
9 194 677	16
9 194 678	16
9 194 679	7, 16
9 194 680	16
9 194 681	16
9 194 682	16
9 194 683	16
9 194 684	16
9 194 685	16
9 194 686	16
9 194 687	16
9 194 688	16
9 194 689	16
9 194 690	16
9 194 698	22
9 194 699	22
9 194 700	22
9 194 701	22
9 194 702	22
9 194 703	22
9 194 704	22
9 194 705	22
9 194 706	22
9 194 707	22
9 194 708	22
9 194 709	22
9 194 710	22
9 194 711	22
9 194 764	25
9 194 765	25
9 194 766	25
9 194 866	51
9 194 867	51
9 194 868	51
9 194 886	49
9 194 887	49
9 194 888	49
9 194 889	49
9 194 891	49
9 194 892	49
9 194 893	49





# Order number index

Order no.	Page
9 194 899	49
9 194 900	49
9 194 902	49
9 194 903	49
9 194 904	49
9 194 905	49
9 194 918	47
9 194 919	47
9 194 920	47
9 194 921	47
9 194 922	47
9 194 923	47
9 194 924	47
9 194 925	47
9 194 926	47
9 194 927	47
9 194 929	47
9 194 931	47
9 194 932	47
9 194 933	47
9 194 934	47
9 194 935	47
9 194 936	47
9 194 937	47
9 194 938	47
9 194 939	47
9 194 940	47
9 194 942	47
9 194 949	47
9 194 950	47
9 194 951	47
9 194 952	47
9 194 953	47
9 194 954	47
9 194 955	47
9 194 956	47
9 194 957	47
9 194 958	47
9 194 960	47
9 194 962	47
9 194 963	47
9 194 964	47
9 194 965	47
9 194 966	47
9 194 967	47
9 194 968	47
9 194 969	47
9 194 970	47
9 194 971	47
9 194 973	47
9 194 980	47
9 194 981	47
9 194 982	47
9 194 983	47
9 194 984	47
9 194 985	47
9 194 985	47

Order no.	Page
9 194 989	47
9 194 991	47
9 194 995	47
9 194 996	47
9 194 997	47
9 194 998	47
9 194 999	47
9 195 000	47
9 195 001	47
9 195 002	47
9 195 004	47
9 196 348	25
9 196 349	25
9 204 201	49
9 204 229	49
9 204 230	49
9 204 282	55
9 204 283	55
9 204 284	55
9 206 256	15
9 206 256	21
9 206 257	15
9 206 257	21
9 207 241	48
9 207 242	48
9 207 243	48
9 207 245	48
9 207 259	54
9 207 260	54
9 207 545	52
9 207 574	52
9 207 636	63
9 207 645	61
9 209 533	52
9 209 536	52
9 209 568	52
9 209 572	52
9 209 582	52
9 219 965	36
9 219 966	36
9 221 295	36
9 221 295	40
9 235 838	25
9 236 718	36
9 236 718	40
9 240 161	40
9 240 162	40
9 240 163	40
9 240 164	40
9 262 213	40
9 279 390	59
9 279 391	59
9 279 392	59
9 279 393	59
9 279 394	59
9 279 396	59
9 279 397	59

Order no.	Page
9 279 410	58
9 279 411	58
9 279 412	58
9 279 413	58
9 279 414	58
9 293 516	25
9 293 517	25
9 293 518	25
9 304 683	60
9 304 684	60
9 304 685	60
9 304 686	60
9 304 687	60
9 304 688	60
9 304 689	60
9 306 263	13
9 306 265	19
9 311 544	34
9 311 545	34
9 311 546	34
9 311 547	34
9 318 952	30
9 318 953	30
9 318 954	30
9 318 955	30
9 318 956	30
9 318 957	30
9 318 975	32
9 318 976	32
9 319 010	32
9 319 011	32
9 319 012	32
9 319 013	32
9 319 041	38
9 319 042	38
9 319 043	38
9 319 044	38
9 319 046	38
9 319 048	38
9 319 051	38
9 319 052	38
9 319 053	38
9 319 079	38
9 319 080	38
9 319 081	38
9 319 082	38
9 319 114	9
9 319 115	9
9 319 116	9
9 319 118	9
9 319 119	9
9 319 120	9
9 319 122	9
9 319 123	9
9 319 124	9
9 319 125	9
9 319 126	9

Order no.	Page
9 319 143	13
9 319 144	13
9 319 145	13
9 319 146	13
9 319 148	13
9 319 149	13
9 319 150	13
9 319 151	13
9 319 152	13
9 319 153	13
9 319 162	19
9 319 163	19
9 319 164	19
9 319 165	19
9 319 166	19
9 319 167	19
9 319 169	19
9 319 170	19
9 319 171	19
9 319 172	19
9 319 173	19
9 319 174	19
9 360 240	9
9 360 242	9
9 360 243	9
9 360 244	9
9 360 245	13
9 360 247	13
9 360 249	13
9 360 250	19
9 360 251	19
9 360 252	19
9 360 253	19
9 360 255	9
9 360 256	9, 13
9 360 257	9
9 360 259	9
9 360 260	13
9 360 261	13
9 360 262	13
9 360 264	19
9 360 266	19
9 360 267	19
9 364 717	9
9 364 718	9
9 364 719	9
9 364 720	9
9 364 721	13
9 364 722	13
9 364 723	13
9 364 755	13
9 364 756	19
9 364 757	19
9 364 758	19
9 364 759	19
9 364 760	9
9 364 761	9





### **General technical conditions**

The fitting information, screw fixing points and load capacity information contained in this document assume proper attachment using screws specified by Hettich to a chipboard panel providing a screw pull out resistance of at least 1,000 N in accordance with EN 320.

Hettich accepts no responsibility for the load capacity of furniture and its components if materials or fastening methods are used other than those stated; the furniture manufacturer must verify load capacity.

The fitting situations show in this catalogue are only intended to illustrate the possible options. The furniture manufacturer is responsible for ensuring that furniture is designed in compliance with standards, in particular with regard to meeting the requirements on safety.

We will be pleased to provide any further information you may require.

### **General Terms of Sale and Delivery**

All products and services will be provided exclusively on the basis of our General Terms of Sale and Delivery published on our website at [www.hettich-agb.com](http://www.hettich-agb.com).

### **Legal notice**

© Hettich Marketing- und Vertriebs GmbH & Co. KG  
32602 Vlotho, Germany

October 2024

We reserve all rights to this catalogue under copyright law. It shall not be permissible to duplicate this catalogue in any form either in whole or in part without our written consent. Subject to technical alterations. Errors and omissions excepted. Subject to colour variations.

[www.hettich.com](http://www.hettich.com)

**Hettich New Zealand**  
18 Barmac Place  
East Tamaki, Auckland

Free Phone: 0800 438 842  
[sales-nz@hettich.com](mailto:sales-nz@hettich.com)  
[shop.hettich.com](http://shop.hettich.com)  
[designwithhettich.co.nz](http://designwithhettich.co.nz)

DOI August 2024