



General Fittings and Applications

Technik für Möbel


Hettich

Flap fittings 3 - 23

Easys electromechanical opening system 24 - 41

Drawer runners for wooden drawers 42 - 77

Locking systems 79 - 83

Connecting technology 84 - 105

Interior fitting systems 106 - 151

Order number index 152 - 153

Your contact:

Hettich New Zealand

18 Barmac Place

East Tamaki, Auckland

Phone: (64)9274 47036

Free Phone: 0800 438 8424

Fax: (64) 9274 8177

Free Fax: 0800 737 847

sales_nz@hettich.co.nz

Order online: shop.hettich.com

Web: hettich.com

Megatrends! How will we be living in the future?

An interesting and exciting question which is now our focus of attention in the Ideas Book. It's a fact that megatrends are changing the world and influencing us in all walks of life. They are set to have a lasting effect on the way we live, on how we do things and on the way we furnish our homes. Four megatrends in particular will influence our lives and the homes we live in: urbanisation, customisation, silver society and work evolution.



Feel style



Enjoy comfort




Win storage

Fascinated by solutions.
We call it

Fascin[action]

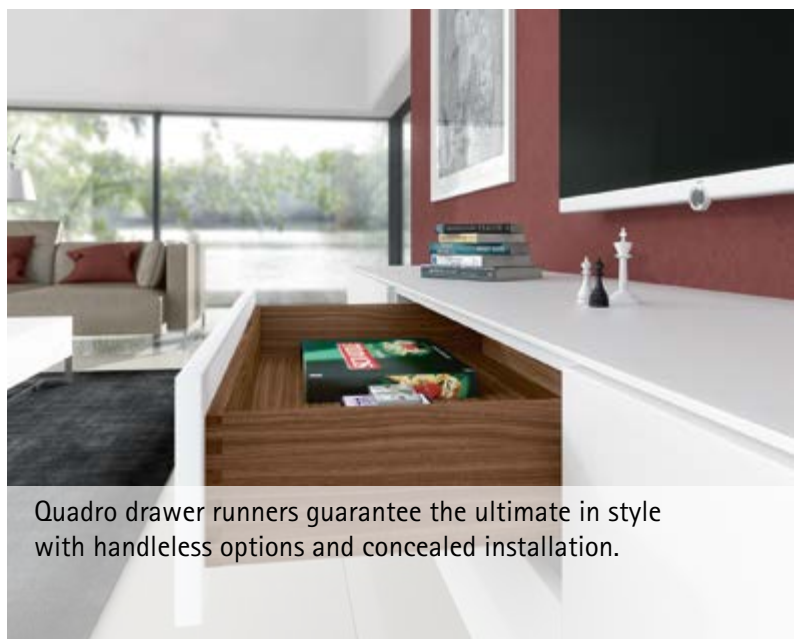
Highlights for an exclusive furniture experience



Individuality will replace uniformity. A new buyer individual will look specifically for furniture that can be designed to suit personal needs.

In all walks of life, user friendly functions that help us to cope with everyday routine will become increasingly significant.

The trend towards small living spaces will place exacting demands on space economy. This calls for new ideas on the use of storage space.



Quadro drawer runners guarantee the ultimate in style with handleless options and concealed installation.



Refrigerators fitted with Easys open when they are supposed to and can be closed by hand - good news for your fingers!



Whether in the office or at home the reliable storage system with integrated lock provides space for valuables and personal belongings.



Flap fittings

► Summary of ranges

Lift Advanced

4 - 15



Other Flap fittings

16 - 21





Top level convenience.

Selling point for modern kitchens: ergonomic, convenient functions and efficient use of storage space. Lift Advanced, the perfected flap fitting system from Hettich, meets these expectations in no fewer than four ways. Because you can

choose from four practicable options. A particular advantage with Lift Advanced: the carcass drilling pattern is identical for all four options.



Multi talent:

Lift Advanced is suitable for various carcass widths and heights, for wooden front panels and for front panels with wood or aluminium frames.



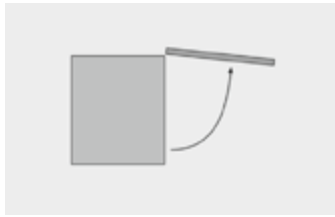
Perfect reveal alignment:

so easy and always spot on with the three dimensional front panel adjustment capability.



Opening and closing convenience:

Lift Advanced is moved by powerful gas springs.



Lift Advanced
Range summary / technical comparison

6 - 7



Lift Advanced HF
Folding flap fitting

8 - 9



Lift Advanced HK
Upward opening flap fitting

10 - 11



Lift Advanced HL
Flap lift fitting

12 - 13






Lift Advanced HS
Lift up flap fitting


14 - 15



Technical information
► Calculating flap weights

22

	Lift Advanced HF	Lift Advanced HK	Lift Advanced HL
			
Page	8 - 9	10 - 11	12 - 13
Flap movement	Folding flap fitting	Upward opening flap fitting	Flap lift fitting
Flap weight	max. 15.4 kg (including handle)	max. 17.9 kg (including handle)	max. 17.6 kg (including handle)
Adjustable opening force	Yes	Yes	Yes
Silent System	Soft closing action	Soft closing action	Soft closing action
Door / door frame material	Wood / wooden frame / 19 mm wide aluminium profile frame	Wood / wooden frame / 19 mm wide aluminium profile frame	Wood / wooden frame / 19 mm wide aluminium profile frame
Inside carcase dimensions			
Depth	min. 182 mm	min. 182 mm	min. 182 mm
Width	min. 300 mm	min. 300 mm	min. 360 mm
Front panel adjustment			
Height	± 2 mm	+1 / -2.5mm*	± 2 mm
Side	± 2 mm	± 2 mm*	± 2 mm
Depth	± 2 mm	± 2 mm*	± 2 mm
Material			
Housing	Plastic, grey	Plastic, grey	Plastic, grey
Hinge mechanism	Powder coated aluminium, silver	Powder coated aluminium, silver *With recommended Sensys / Intermat hinge	Powder coated aluminium, silver

Lift Advanced HS	
	
14 - 15	
Lift up flap fitting	
max. 15.3 kg (including handle)	
Yes	
Soft closing action	
Wood / wooden frame / 19 mm wide aluminium profile frame	
min. 182 mm min. 360 mm	
± 2 mm ± 2 mm ± 2 mm	
Plastic, grey Powder coated aluminium, silver	

- ▶ Folding flap fitting
- ▶ Lift Advanced HF



- ▶ For wooden front panels or framed wooden front panels or front panels with 19 mm wide aluminium profile
- ▶ Adjustable opening force
- ▶ Unequal flap heights possible for internal carcass heights of 490 mm or more
- ▶ Silent System integrated – soft closing action
- ▶ Flap weight including handle 3.8 – 15.4 kg
- ▶ Combination with Sensys 8645 or Intermat 9943 hinge (opening angle 110°) recommended
- ▶ Three-dimensional front panel adjustment (with recommended Sensys / Intermat hinge): vertical ± 2 mm, horizontal ± 2 mm, depth ± 2 mm
- ▶ Cross member or centre hinge not required
- ▶ Powder coated aluminium, silver / grey plastic
- ▶ Inside carcass dimensions:
Height: 440 - 925 mm
Depth: min. 182 mm
Width: min. 300 mm
- ▶ Please order gas springs separately

Lift Advanced HF



- Set comprises:
- ▶ 1 pair of flap fittings, right and left
 - ▶ 1 pair of cover caps, right and left
 - ▶ Fixing material

Internal carcass height mm	Order no.	PU
440 - 550	9 079 605	1 set
551 - 610	9 079 607	1 set
611 - 700	9 079 610	1 set
701 - 770	9 079 614	1 set
771 - 925	9 079 615	1 set

Gas spring for adapting to different flap weights



- ▶ Simple installation and removal
- ▶ Note: If selection table shows a choice of two springs, select the stronger spring.

- Set comprises:
- ▶ 2 gas springs

Inside carcass height mm	Inside carcass height mm	Inside carcass height mm	Inside carcass height mm	Inside carcass height mm	Spring force N	Order no.	PU
450 - 550	551 - 610	611 - 700	701 - 770	771 - 925			
4.4 - 5.8 kg	4.0 - 6.0 kg	-	-	-	300	9 079 624	1 set
5.1 - 6.6 kg	4.5 - 6.7 kg	3.8 - 5.8 kg	4.0 - 5.2 kg	-	350	9 079 626	1 set
6.0 - 8.0 kg	5.3 - 7.6 kg	4.6 - 7.0 kg	4.6 - 5.9 kg	4.0 - 5.5 kg	400	9 079 628	1 set
6.8 - 9.2 kg	6.2 - 8.6 kg	5.9 - 8.0 kg	5.3 - 6.7 kg	4.9 - 6.5 kg	450	9 079 630	1 set
7.8 - 10.2 kg	7.0 - 9.3 kg	6.9 - 8.9 kg	5.9 - 7.4 kg	5.5 - 7.0 kg	500	9 079 632	1 set
8.9 - 11.2 kg	8.0 - 10.3 kg	8.0 - 9.9 kg	6.7 - 8.3 kg	6.0 - 7.7 kg	550	9 079 635	1 set
10.5 - 12.6 kg	9.1 - 11.4 kg	8.8 - 10.8 kg	7.8 - 9.3 kg	6.9 - 8.7 kg	600	9 079 637	1 set
12.2 - 14.2 kg	10.5 - 12.6 kg	10.1 - 12.0 kg	8.5 - 10.4 kg	7.9 - 9.8 kg	650	9 079 644	1 set
13.2 - 15.0 kg	11.7 - 13.6 kg	11.1 - 12.9 kg	9.4 - 11.2 kg	8.7 - 10.5 kg	700	9 079 645	1 set
13.8 - 15.4 kg	12.3 - 14.1 kg	11.6 - 13.5 kg	10.0 - 11.8 kg	9.3 - 11.0 kg	750	9 079 647	1 set
-	13.3 - 14.6 kg	12.6 - 14.4 kg	10.8 - 12.7 kg	10.1 - 11.7 kg	800	9 079 650	1 set
-	-	13.4 - 15.2 kg	11.8 - 13.6 kg	10.7 - 12.6 kg	850	9 079 651	1 set

- ▶ Folding flap fitting
- ▶ Lift Advanced HF

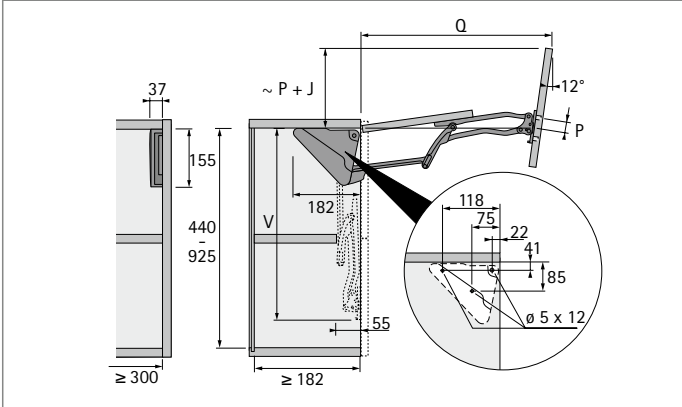
Adapter for connection to 19 mm wide aluminium profiles



- ▶ Plastic, grey
- ▶ Can only be used for inside carcase heights up to 905 mm

Order no.	PU
9 079 601	1 set

Flap and opening dimensions / carcase drilling pattern



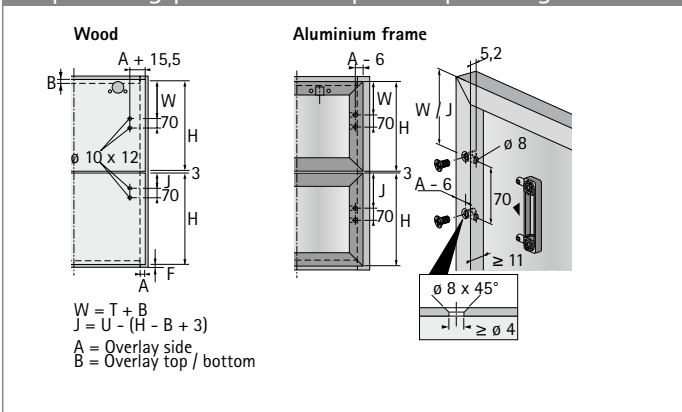
Fitting information

Inside carcase height mm	P mm	Q mm	V mm	T mm	U mm
440 - 550	61	440	440	120	351
551 - 610	69	474	475	155	386
611 - 700	76	494	505	185	416
701 - 770	84	522	535	215	446
771 - 925	92	547	565	245	476

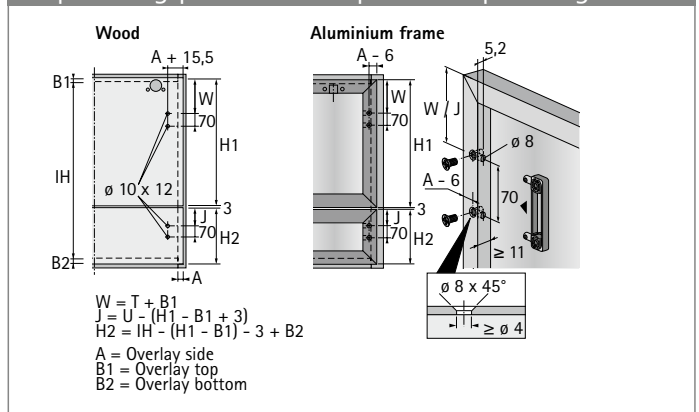
Selecting fittings for flaps of unequal height

Inside carcase height mm	H1 min. mm	H1 max. mm	T mm	U mm	Order no.
490 - 610	B1 + 262	B1 + 346	155	386	9 079 607
520 - 700	B1 + 292	B1 + 376	185	416	9 079 610
550 - 770	B1 + 322	B1 + 406	215	446	9 079 614
580 - 870	B1 + 352	B1 + 436	245	476	9 079 615

Flap drilling pattern for flaps of equal height



Flap drilling pattern for flaps of unequal height



- ▶ Upward opening flap fitting
- ▶ Lift Advanced HK



- ▶ For wooden front panels or framed wooden front panels or front panels with 19 mm wide aluminium profile
- ▶ Adjustable opening force
- ▶ Silent System integrated – soft closing action
- ▶ Flap weight including handle 2.0 – 17.9 kg
- ▶ Three-dimensional front adjustment at concealed hinge
- ▶ Powder coated aluminium, silver / grey plastic
- ▶ Combination with Sensys 8645 or Intermat 9943 hinge (opening angle 110°) recommended
- ▶ Inside carcass dimensions:
Height: 276 – 720 mm
Depth: min. 182 mm
Width: min. 300 mm
- ▶ Please order gas springs separately

Lift Advanced HK



- Set comprises:
- ▶ 1 pair of flap fittings, right and left
 - ▶ 1 pair of cover caps, right and left
 - ▶ Fixing material

Inside carcass height mm	Order no.	PU
276 – 720	9 079 603	1 set

Gas spring for adapting to different flap weights



- ▶ Simple installation and removal
- ▶ Note: If selection table shows a choice of two springs, select the stronger spring.
- ▶ It is recommended to use a hinge without Silent System for the situations marked * in the table.

- Set comprises:
- ▶ 2 gas springs

Inside carcass height mm 276 – 360	Inside carcass height mm 361 – 480	Inside carcass height mm 481 – 540	Inside carcass height mm 541 – 600	Inside carcass height mm 601 – 720	Spring force N	Order no.	PU
2.1 – 4.7 kg *	2.0 – 3.8 kg	-	-	-	150	9 079 618	1 set
4.1 – 7.0 kg *	3.3 – 5.4 kg	2.4 – 4.9 kg	-	-	200	9 079 619	1 set
6.1 – 8.9 kg *	4.5 – 6.3 kg	3.8 – 6.2 kg	3.8 – 5.6 kg	3.8 – 5.0 kg	250	9 079 622	1 set
7.8 – 10.7 kg *	5.7 – 7.9 kg	5.2 – 7.6 kg	4.9 – 6.7 kg	4.4 – 5.9 kg	300	9 079 624	1 set
9.7 – 12.4 kg *	7.1 – 9.3 kg	6.6 – 9.0 kg	6.1 – 7.7 kg	5.4 – 6.8 kg	350	9 079 626	1 set
11.5 – 14.3 kg	8.6 – 10.7 kg	8.1 – 10.3 kg	7.2 – 8.8 kg	6.3 – 7.8 kg	400	9 079 628	1 set
13.3 – 16.0 kg	10.2 – 12.1 kg	9.7 – 11.6 kg	8.4 – 10.0 kg	7.3 – 8.7 kg	450	9 079 630	1 set
15.2 – 17.9 kg	11.7 – 13.4 kg	11.0 – 12.8 kg	9.6 – 11.0 kg	8.2 – 9.6 kg	500	9 079 632	1 set
-	12.9 – 14.3 kg	12.4 – 14.1 kg	10.7 – 12.2 kg	9.1 – 10.4 kg	550	9 079 635	1 set
-	14.2 – 15.5 kg	13.7 – 15.4 kg	12.0 – 13.2 kg	10.1 – 11.4 kg	600	9 079 637	1 set
-	15.4 – 16.8 kg	15.0 – 16.7 kg	13.1 – 14.3 kg	11.1 – 12.4 kg	650	9 079 644	1 set

- ▶ Upward opening flap fitting
- ▶ Lift Advanced HK



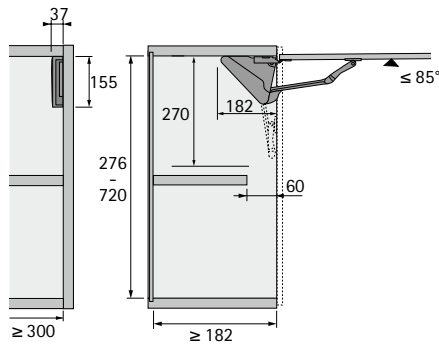
Adapter for connection to 19 mm wide aluminium profiles



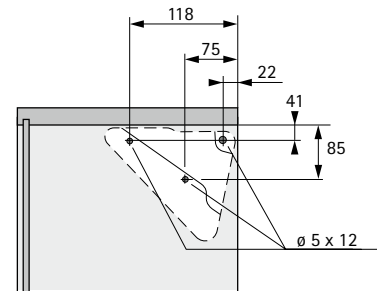
▶ Zinc die-cast nickel plated

Order no.	PU
9 079 709	1 set

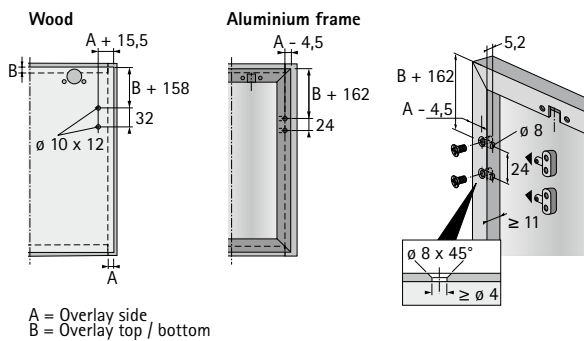
Flap and opening dimensions



Carcase drilling pattern



Flap drilling pattern



- ▶ Flap lift fitting
- ▶ Lift Advanced HL



- ▶ For wooden front panels or framed wooden front panels or front panels with 19 mm wide aluminium profile
- ▶ Adjustable opening force
- ▶ Silent System integrated – soft closing action
- ▶ Flap weight including handle 1.7 – 17.6 kg
- ▶ Three-dimensional front adjustment: vertical ± 2 mm, horizontal ± 2 mm, tilt / depth ± 2 mm
- ▶ Powder coated aluminium, silver / plastic grey
- ▶ Inside carcass dimensions:
Height: 277 – 462 mm
Depth: min. 182 mm
Width: min. 300 mm
- ▶ Gas springs must be ordered separately

Lift Advanced HL



- Set comprises:
- ▶ 1 pair of flap fittings, right and left
 - ▶ 1 pair of cover caps, right and left
 - ▶ Fixing material

Inside carcass height mm	Order no.	PU
277 – 312	9 079 595	1 set
313 – 342	9 079 597	1 set
343 – 372	9 079 598	1 set
373 – 402	9 079 599	1 set
403 – 462	9 079 600	1 set

Gas spring for adapting to different flap weights



- ▶ Simple installation and removal
- ▶ Note: If selection table shows a choice of two springs, select the stronger spring.

- Set comprises:
- ▶ 2 gas springs

Inside carcass height mm 277 – 312	Inside carcass height mm 313 – 342	Inside carcass height mm 343 – 372	Inside carcass height mm 373 – 402	Inside carcass height mm 403 – 462	Spring force N	Order no.	PU
2.1 – 3.8 kg	2.3 – 3.8 kg	-	-	-	150	9 079 618	1 set
3.8 – 5.4 kg	3.6 – 5.3 kg	2.1 – 4.8 kg	1.7 – 3.8 kg	-	200	9 079 619	1 set
5.6 – 7.1 kg	5.2 – 7.1 kg	3.3 – 6.0 kg	2.6 – 5.0 kg	3.2 – 4.9 kg	250	9 079 622	1 set
7.3 – 8.8 kg	6.5 – 8.7 kg	4.3 – 7.2 kg	3.8 – 6.3 kg	4.4 – 5.9 kg	300	9 079 624	1 set
8.9 – 10.5 kg	7.9 – 10.2 kg	5.5 – 8.6 kg	4.9 – 7.5 kg	5.4 – 6.8 kg	350	9 079 626	1 set
10.6 – 12.1 kg	9.1 – 11.7 kg	6.6 – 9.7 kg	6.0 – 8.7 kg	6.3 – 7.8 kg	400	9 079 628	1 set
-	10.5 – 13.2 kg	7.8 – 10.9 kg	7.1 – 9.9 kg	7.3 – 8.7 kg	450	9 079 630	1 set
-	11.6 – 14.7 kg	8.9 – 12.2 kg	8.2 – 11.1 kg	8.2 – 9.6 kg	500	9 079 632	1 set
-	12.8 – 16.2 kg	10.0 – 13.4 kg	9.3 – 12.4 kg	9.1 – 10.4 kg	550	9 079 635	1 set
-	14.2 – 17.6 kg	11.2 – 14.6 kg	10.5 – 13.6 kg	10.1 – 11.4 kg	600	9 079 637	1 set
-	-	12.5 – 15.9 kg	11.7 – 14.9 kg	11.1 – 12.4 kg	650	9 079 644	1 set

Cut-to-size cross member for Lift Advanced



- ▶ Cross member can be shortened, with premounted mounts at the sides
- ▶ Aluminium silver look / grey plastic

Carcase width mm	Order no.	PU
600	9 079 653	1 set
1200	9 079 658	1 set
1800	9 079 664	1 set

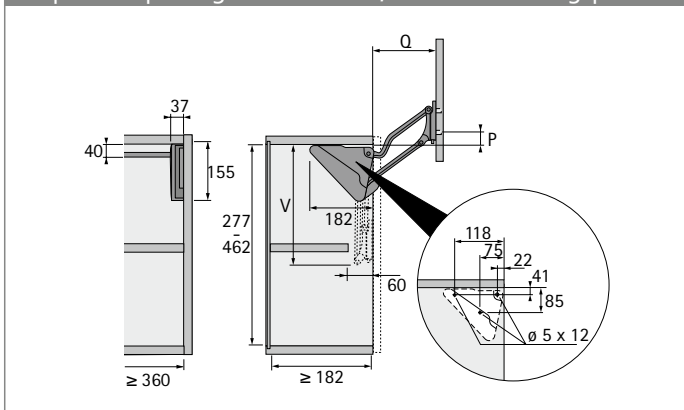
Adapter for connection to 19 mm wide aluminium profiles



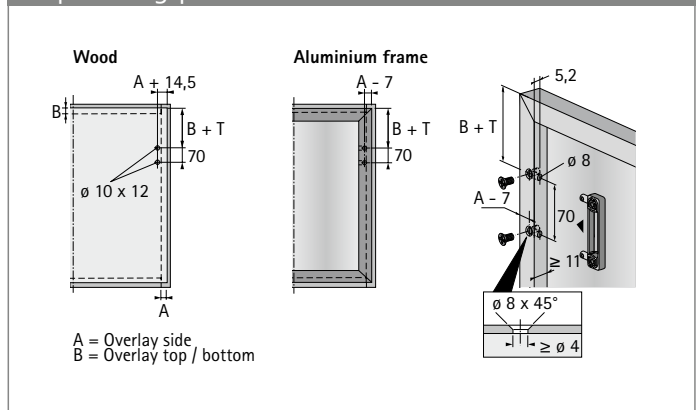
- ▶ Plastic, grey

Order no.	PU
9 079 601	1 set

Flap and opening dimensions / carcase drilling pattern



Flap drilling pattern



Fitting information

Inside carcase height mm	P mm	Q mm	V mm	T mm
277 - 312	22	126	277	160
313 - 342	44	155	312	195
343 - 372	63	179	342	225
373 - 402	82	203	372	255
403 - 462	100	227	402	285

- ▶ Lift up flap fitting
- ▶ Lift Advanced HS



- ▶ For wooden front panels or framed wooden front panels or front panels with 19 mm wide aluminium profile
- ▶ Adjustable opening force
- ▶ Silent System integrated – soft closing action
- ▶ Flap weight including handle 2.5 – 15.3 kg
- ▶ Three-dimensional front adjustment: vertical ± 2 mm, horizontal ± 2 mm, tilt / depth ± 2 mm
- ▶ Powder coated aluminium, silver / grey plastic
- ▶ Inside carcass dimensions:
Height: 372 – 688 mm
Depth: min. 182 mm
Width: min. 300 mm
- ▶ Please order gas springs separately

Lift Advanced HS



- Set comprises:
- ▶ 1 pair of flap fittings, right and left
 - ▶ 1 pair of cover caps, right and left
 - ▶ Fixing material

Inside carcass height mm	Order no.	PU
372 – 688	9 079 617	1 set

Gas spring for adapting to different flap weights



- ▶ Simple installation and removal
- ▶ Note: If selection table shows a choice of two springs, select the stronger spring.

- Set comprises:
- ▶ 2 gas springs

Inside carcass height mm 372 – 408	Inside carcass height mm 409 – 508	Inside carcass height mm 509 – 568	Inside carcass height mm 569 – 688	Spring force N	Order no.	PU
3.0 – 4.4 kg	3.2 – 4.3 kg	2.5 – 3.9 kg	-	200	9 079 619	1 set
4.0 – 5.4 kg	4.2 – 5.4 kg	3.4 – 5.2 kg	3.2 – 4.8 kg	250	9 079 622	1 set
5.3 – 6.7 kg	5.2 – 6.5 kg	4.4 – 6.4 kg	4.0 – 6.1 kg	300	9 079 624	1 set
6.3 – 7.9 kg	6.3 – 7.4 kg	5.4 – 7.4 kg	4.9 – 7.1 kg	350	9 079 626	1 set
7.7 – 9.1 kg	7.3 – 8.6 kg	6.5 – 8.4 kg	5.8 – 8.2 kg	400	9 079 628	1 set
8.8 – 10.3 kg	8.4 – 9.9 kg	7.5 – 9.5 kg	6.8 – 9.1 kg	450	9 079 630	1 set
10.0 – 11.5 kg	9.4 – 10.9 kg	8.6 – 10.5 kg	7.7 – 10.0 kg	500	9 079 632	1 set
11.0 – 12.6 kg	10.5 – 12.1 kg	9.6 – 11.6 kg	8.6 – 11.6 kg	550	9 079 635	1 set
12.1 – 13.8 kg	11.6 – 13.2 kg	10.7 – 12.6 kg	9.6 – 12.6 kg	600	9 079 637	1 set
13.3 – 14.9 kg	12.6 – 14.2 kg	11.7 – 13.7 kg	10.5 – 13.5 kg	650	9 079 644	1 set
-	13.6 – 15.3 kg	12.8 – 14.7 kg	11.4 – 14.3 kg	700	9 079 645	1 set

Cut-to-size cross member for Lift Advanced



- ▶ Cross member can be shortened, with premounted mounts at the sides
- ▶ Aluminium silver look / grey plastic

Carcase width mm	Order no.	PU
600	9 079 653	1 set
1200	9 079 658	1 set
1800	9 079 664	1 set

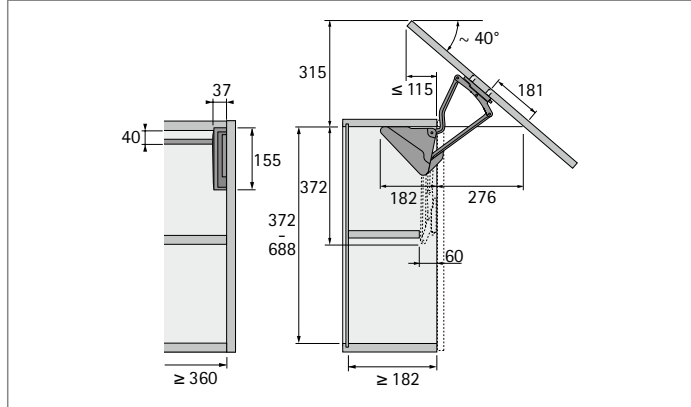
Adapter for connection to 19 mm wide aluminium profiles



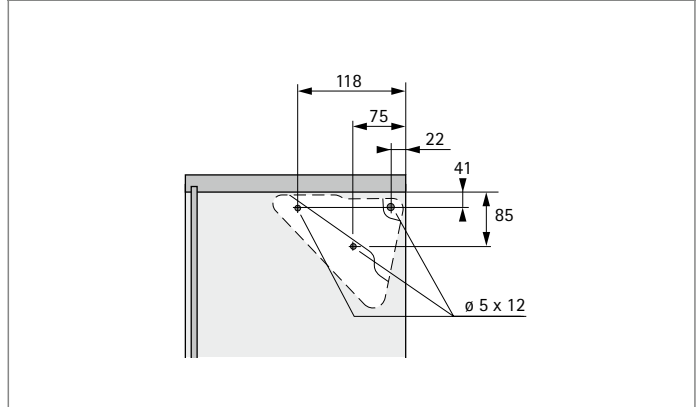
- ▶ Plastic, grey

Order no.	PU
9 079 601	1 set

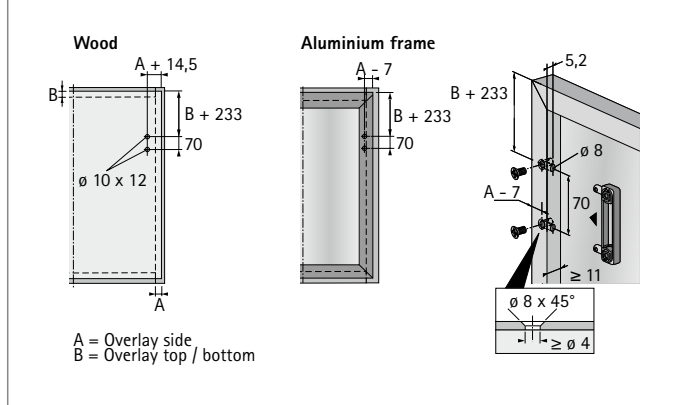
Flap and opening dimensions



Carcase drilling pattern



Flap drilling pattern





The flap makes a comeback.

Win your customers over with good selling points! Flap front panels, for instance: in many cases, they are the most practical solution. They are now undergoing a renaissance after being out of fashion for a while. Hettich flap fittings create modern

highlights in terms of quality and convenience. In kitchens, bathrooms, living rooms and corridors, the Hettich range includes flap fittings for all requirements. High quality, robust and durable.



Saves space in the cabinet:
the Ewiva flap fitting – for front panels made of wood or framed in wood or aluminium.



Our range – your flexibility:
a variety of front panel materials, flap weights and opening angles for perfect solutions.

Other flap fittings

► Summary



HLB
Vertical lift-up flap fitting

18



Lift
Upward opening flap fittings for different flap weights and opening angles

19



Flap supports

20 - 21



Technical information
► Calculating flap weights

22

Other flap fittings



- ▶ Flap lift fitting
- ▶ HLB

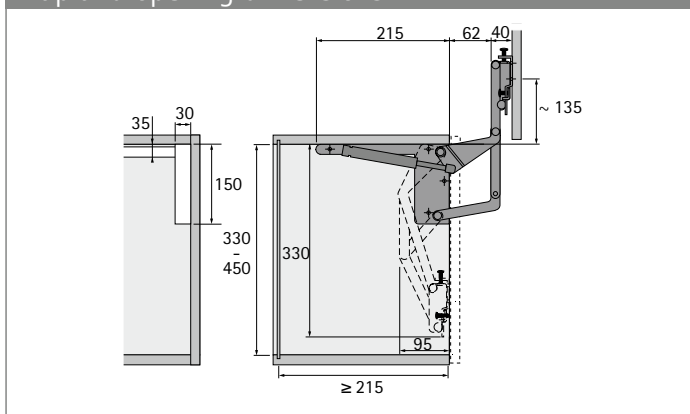
HLB



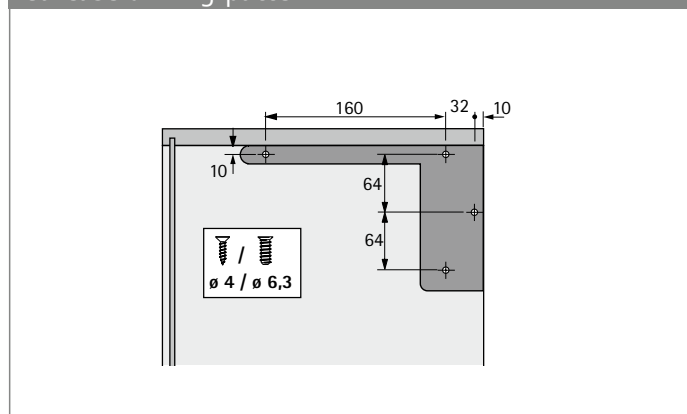
- ▶ For wooden front panels or framed wooden front panels
- ▶ Fitted with 1 or 2 gas springs
- ▶ Items with 2 gas springs: adjustable cross member permits adjustment of the width
- ▶ Two-dimensional front panel adjustment: vertical ± 3 mm, horizontal ± 3 mm
- ▶ Powder coated steel

For carcase side mm	Inside carcase width mm	Number of gas springs	Max. flap weight kg	Order no. / Colour		PU
				silver	white	
16	567	1	3.5	0 045 027	0 079 392	1 ea.

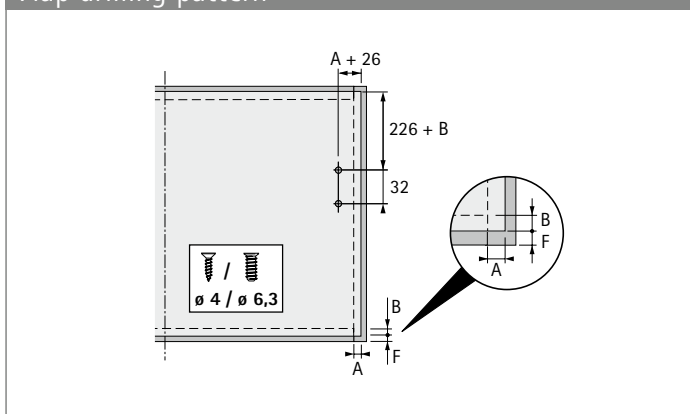
Flap and opening dimensions



Carcase drilling pattern



Flap drilling pattern



Other flap fittings

- ▶ Upward opening flap fitting
- ▶ Lift

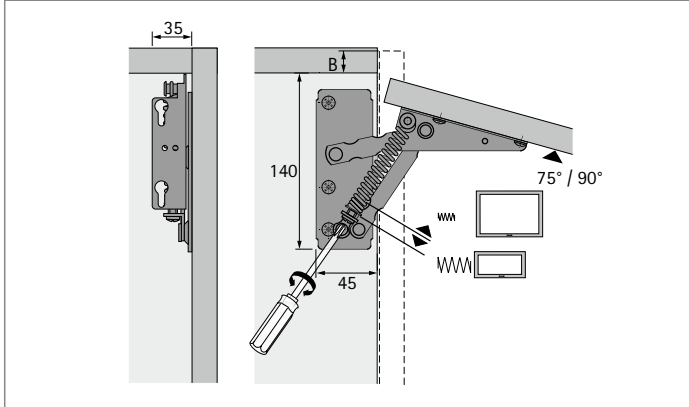
Lift



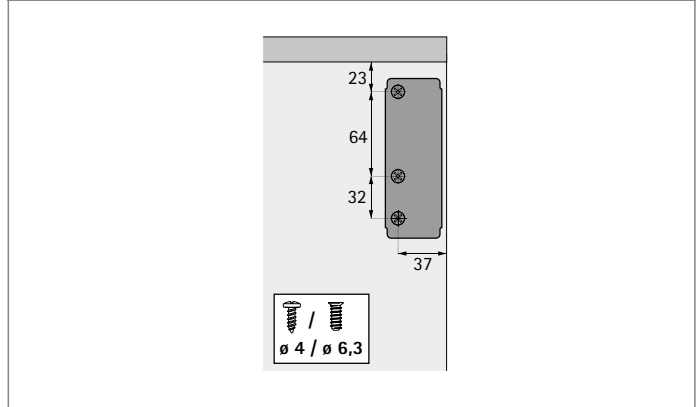
- ▶ For wooden front panels or framed wooden front panels
- ▶ Hole line application for fast, easy installation in system 32
- ▶ Flap dimensions: height 200 - 500 mm / width 300 - 1000 mm
- ▶ Steel, nickel plated

Opening angle °	Spring force N	Max. flap weight kg	Order no.	PU
75	80 - 220	4.6	0 040 721	1/10 pair
90	80 - 220	4.6	0 010 921	1/10 pair
90	180	3.3	0 079 389	1/10 pair

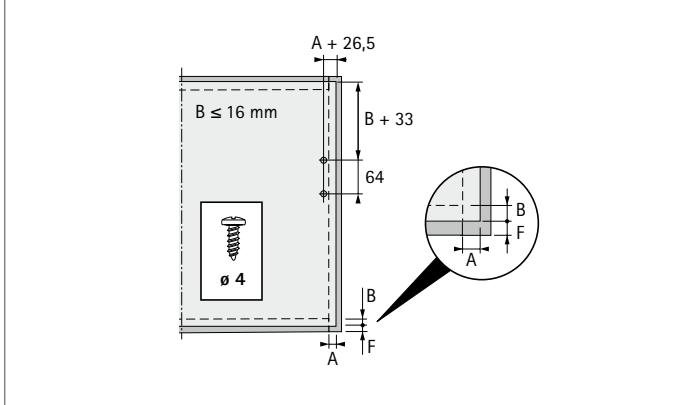
Flap and opening dimensions



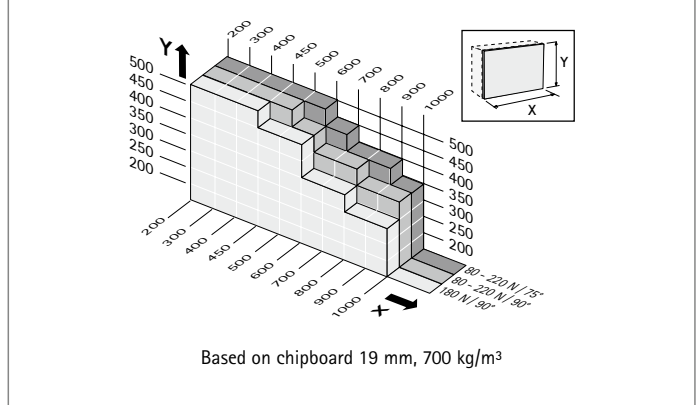
Carcase drilling pattern



Flap drilling pattern



Application



Other flap fittings



- ▶ Flap stay
- ▶ Lift Basic

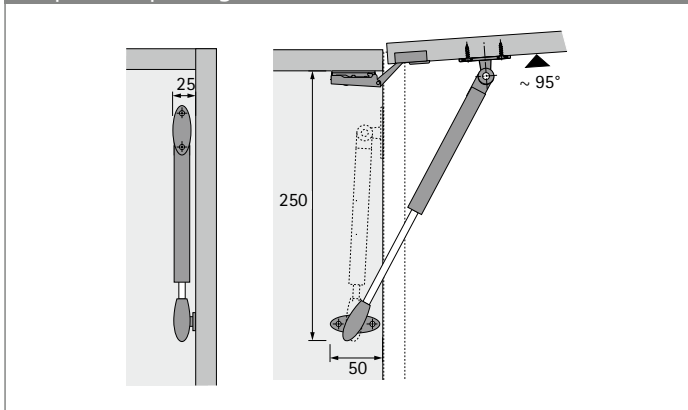
Lift Basic



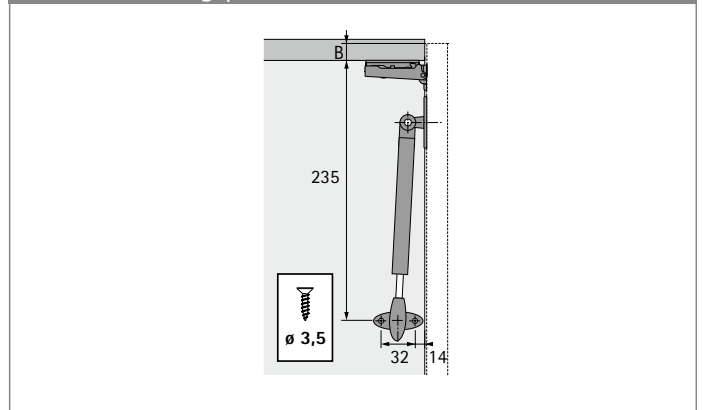
- ▶ For wooden front panels or framed wooden front panels
- ▶ Flap weight including handle 3.2 kg max. (when using 2 fittings)
- ▶ Flap dimensions: height 400 mm max. / width max. 600 mm
- ▶ Can be used on one or both sides
- ▶ Can be used on right or left
- ▶ Concealed hinges must be fitted at the top of the flap, please order separately
- ▶ Steel silver look / grey plastic

Order no.	PU
9 079 593	1 ea.

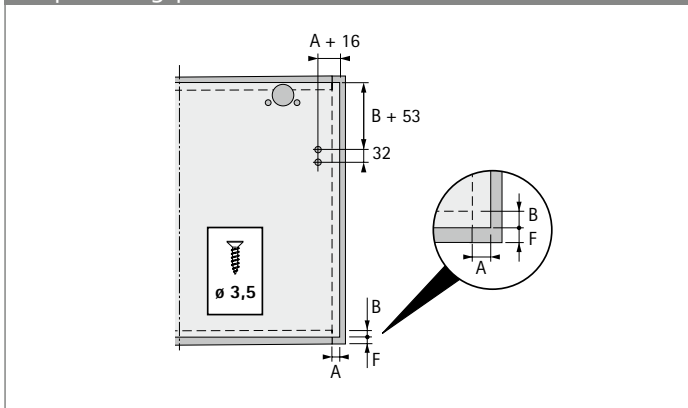
Flap and opening dimensions



Carcase drilling pattern



Flap drilling pattern



Application

max. height mm	max. width mm	Quantity
300	400	1
400	600	2

Number of fittings to use depends on flap dimensions based on 19 mm chipboard, 700 kg / m³

Other flap fittings

- ▶ Flap stay
- ▶ Centra S 250

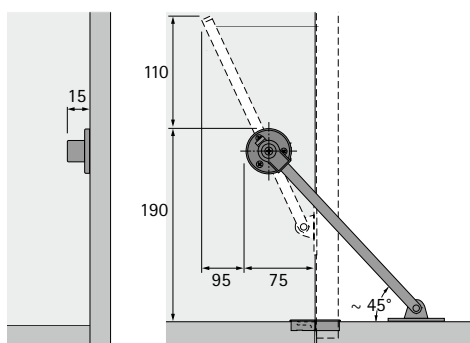
Centra S 250



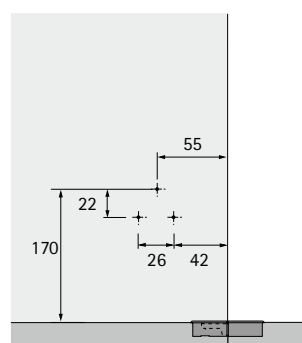
- ▶ For wooden front panels or framed wooden front panels
- ▶ Braking effect adjustable via clamping screw
- ▶ For right side
- ▶ Support bar and base: nickel-plated steel
- ▶ Support: white plastic

Order no.	PU
0 013 223	1/10 ea.

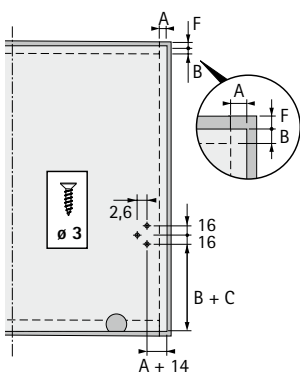
Flap and opening dimensions



Carcase drilling pattern



Flap drilling pattern



Installation dimensions

Dimension C depends on hinge used.
Please carry out trial installation.

Flap fittings

- ▶ Technical information
- ▶ Calculating flap weights

Weight table for chipboard

Chipboard	Flap width mm												
Flap height mm	300	400	500	600	700	800	900	1000	1100	1200	1300	1400	1500
300	1.2	1.6	2.0	2.4	2.8	3.2	3.6	4.0	4.4	4.8	5.2	5.6	6.0
350	1.4	1.9	2.3	2.8	3.3	3.7	4.2	4.7	5.1	5.6	6.1	6.5	7.0
400	1.6	2.2	2.7	3.2	3.7	4.3	4.8	5.3	5.9	6.4	6.9	7.5	8.0
450	1.8	2.4	3.0	3.6	4.2	4.8	5.4	6.0	6.6	7.2	7.8	8.4	9.0
500	2.0	2.7	3.3	4.0	4.7	5.3	6.0	6.7	7.3	8.0	8.7	9.3	10.0
550	2.2	3.0	3.7	4.4	5.1	5.9	6.6	7.3	8.1	8.8	9.5	10.2	11.0
600	2.4	3.2	4.0	4.8	5.6	6.4	7.2	8.0	8.8	9.6	10.4	11.2	12.0
650	2.6	3.5	4.3	5.2	6.1	6.9	7.8	8.7	9.5	10.4	11.2	12.1	13.0
700	2.8	3.7	4.7	5.6	6.5	7.5	8.4	9.3	10.2	11.2	12.1	13.0	14.0
750	3.0	4.0	5.0	6.0	7.0	8.0	9.0	10.0	11.0	12.0	13.0	14.0	15.0
800	3.2	4.3	5.3	6.4	7.5	8.5	9.6	10.6	11.7	12.8	13.8	14.9	16.0
850	3.4	4.5	5.7	6.8	7.9	9.0	10.2	11.3	12.4	13.6	14.7	15.8	17.0
900	3.6	4.8	6.0	7.2	8.4	9.6	10.8	12.0	13.2	14.4	15.6	16.8	18.0
950	3.8	5.0	6.3	7.6	8.8	10.1	11.4	12.6	13.9	15.2	16.4	17.7	19.0

Flap weight in kg (chipboard: 19 mm thick, density = 700 kg/m³)

Weight table for MDF board

MDF	Flap width mm												
Flap height mm	300	400	500	600	700	800	900	1000	1100	1200	1300	1400	1500
300	1.5	2.1	2.6	3.1	3.6	4.1	4.6	5.1	5.6	6.2	6.7	7.2	7.7
350	1.8	2.4	3.0	3.6	4.2	4.8	5.4	6.0	6.6	7.2	7.8	8.4	9.0
400	2.0	2.7	3.4	4.1	4.8	5.5	6.2	6.8	7.5	8.2	8.9	9.6	10.3
450	2.3	3.1	3.9	4.6	5.4	6.2	6.9	7.7	8.5	9.2	10.0	10.8	11.5
500	2.6	3.4	4.3	5.1	6.0	6.8	7.7	8.6	9.4	10.3	11.1	11.9	12.8
550	2.8	3.8	4.7	5.6	6.6	7.5	8.5	9.4	10.4	11.3	12.2	13.2	14.1
600	3.1	4.1	5.1	6.2	7.2	8.2	9.2	10.3	11.3	12.3	13.3	14.4	15.4
650	3.3	4.5	5.6	6.7	7.8	8.9	10.0	11.1	12.2	13.3	14.5	15.6	16.7
700	3.6	4.8	6.0	7.2	8.4	9.6	10.8	12.0	13.2	14.4	15.6	16.8	18.0
750	3.9	5.1	6.4	7.7	9.0	10.3	11.5	12.8	14.1	15.4	16.7	18.0	19.2
800	4.1	5.5	6.8	8.2	9.6	10.9	12.3	13.7	15.1	16.4	17.8	19.2	20.5
850	4.4	5.8	7.3	8.7	10.2	11.6	13.1	14.5	16.0	17.4	18.9	20.4	21.8
900	4.6	6.2	7.7	9.2	10.8	12.3	13.9	15.4	16.9	18.5	20.1	21.6	23.1
950	4.9	6.5	8.1	9.8	11.4	13.0	14.7	16.3	17.9	19.5	21.1	22.7	24.4

Flap weight in kg (MDF: 19 mm thick, density = 900 kg/m³)

Adjustment to different material thicknesses

The values in the tables above refer to 19 mm thick material. The table value must be multiplied by a factor in order to adjust to material of a different thickness.

Formula for conversion

Flap weight = weight of 19 mm thick flap according to table above x factor

Conversion factors

Material thickness mm	Factor
15	0.79
16	0.84
18	0.95
19	1.00
20	1.05
22	1.16
23	1.21
26	1.37
29	1.53

Easys electromechanical opening system for drawers



Gently opened and extremely convenient: with the Easys electromechanical opening system, drawers open all by themselves in response to a light press on the front panel. And thanks to Silent System, they can be closed again at any time just as smoothly.



Ideal for purist, handleless design - e.g. for large, heavy pull-outs.



Unobtrusive and space saving, Easys is located behind the drawer rear panel to make full use of storage space.



A cable can optionally be fitted to avoid collisions in face angle applications.



The Easys electromechanical opening system can be used in a variety of applications: ArciTech, InnoTech, InnoTech Atira, wooden drawers and pull-outs for sink units.



**Electromechanical opening system Easys for
ArciTech, InnoTech Atira and wooden drawers**

26 - 37



Electromechanical opening system Easys for refrigerators

38 - 40

Easys electromechanical opening system for drawers

► Planning and use

Little effort, great effect

Easys is a compact electronic drawer opening system for style, comfort, ergonomics and handle-free design. The Easys system is small, slim and compact and can

be easily integrated into any kitchen. Suitable for all drawer widths and depths it ensures that drawers open with gentle ease even if fully laden.



Easys system components:

- 1** Drive unit for standard and pot and pan drawers
- 2** Profile set
- 3** Distributor
- 4** Power supply with mains power cord
- 5** Power supply bracket
- 6** Buffer for drawer fronts

Available accessories:

- Mounting bracket for special applications
- Cable for corner situation and sensor to prevent collisions
- Rear-panel bracket for internal pullouts and pullouts with side stabiliser
- Sensor for large drawer fronts
- Drilling and marking jig

- ▶ For ArciTech, InnoTech Atira and Quadro with wooden drawers
- ▶ System components

Set of profile mounts

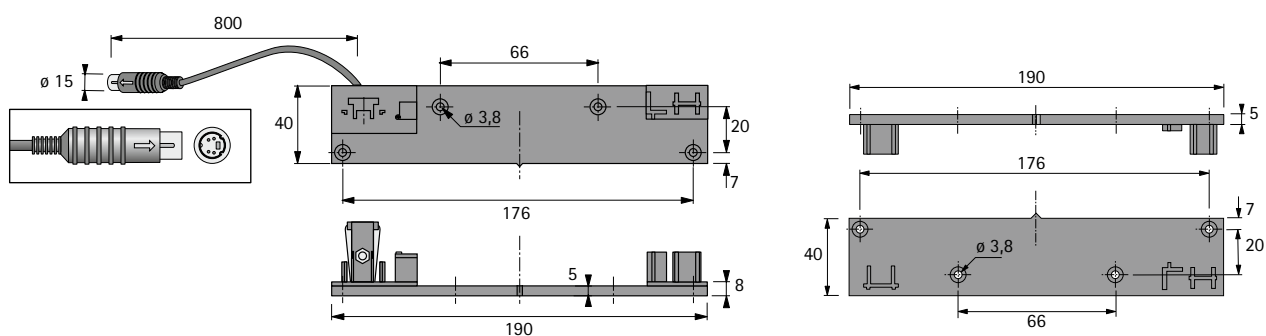


- ▶ For attaching the profiles to top and bottom panel

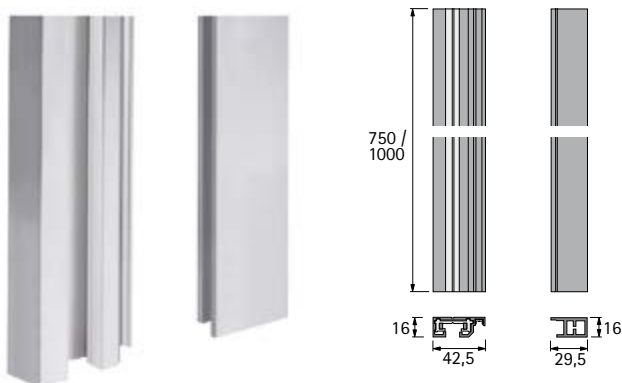
Set comprises:

- ▶ 1 bottom profile mount, including 800 mm connection cable
- ▶ 1 top profile mount

Order no.	PU
9 082 357	1 set



Set of profiles



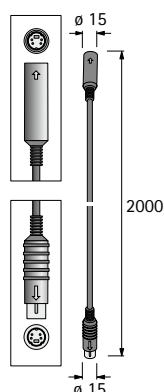
- ▶ For up to 6 drive units
- ▶ Can be shortened as required
- ▶ Aluminium

Set comprises:

- ▶ 1 mounting profile with integrated power and data cables (left)
- ▶ 1 mounting profile without cables (right)

Length mm	Order no.	PU
750	9 082 353	1 set
1000	9 082 356	1 set

Extension lead



- ▶ For extending the connection cable on the profile mount set or mounting bracket – only one extension lead may be used per connection cable
- ▶ Length 2000 mm

Advice:

- ▶ **Please note:** observe max. cable length for each power supply unit, see page 30

Order no.	PU
9 100 852	1 ea.

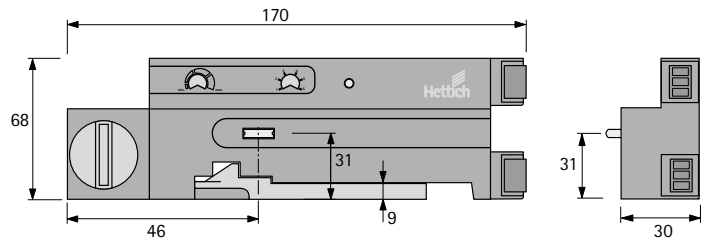
- ▶ For ArciTech, InnoTech Atira and Quadro with wooden drawers
- ▶ System components

Drive unit



- ▶ For opening the drawer / pot-and-pan drawer
- ▶ Tool-less assembly on profiles with automatic power supply
- ▶ Driving force adjustable

Order no.	PU
9 078 139	1 ea.

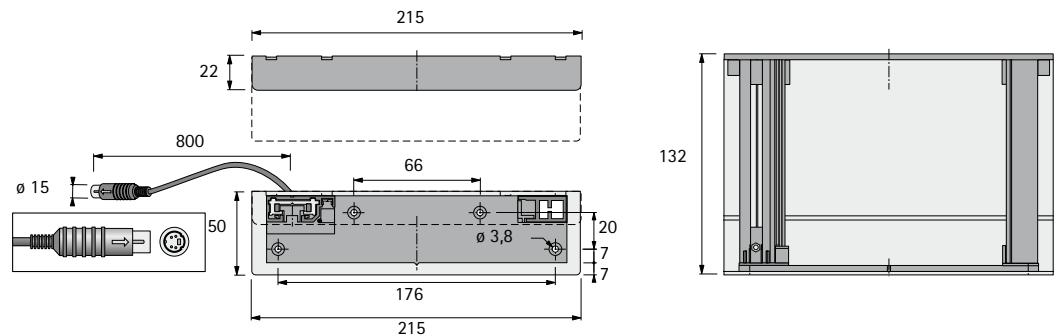


Mounting bracket



- ▶ Used for special fitting situations, instead of the set of profiles and profile mounts
- ▶ For one drive unit
- ▶ With 800 mm connection cable

Order no.	PU
9 082 358	1 ea.



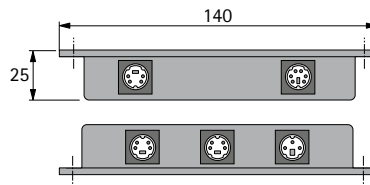
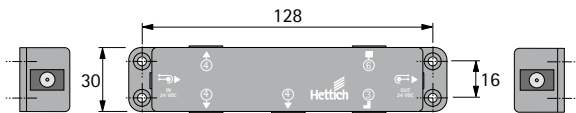
- ▶ For ArciTech, InnoTech Atira and Quadro with wooden drawers
- ▶ System components

Distribution block

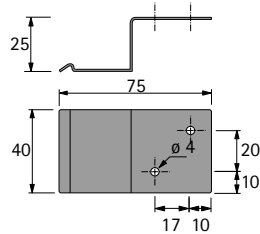


- ▶ One distribution block is required per carcass

Order no.	PU
9 082 360	1 ea.



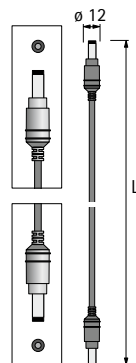
Distribution block bracket



- ▶ For mounting on the wall or bottom of the carcass
- ▶ For simplifying distribution block installation / removal

Order no.	PU
9 097 923	1 ea.

Distribution block extension



- ▶ For connecting distribution block to distribution block

Advice:

- ▶ **Please note:** observe max. cable length for each power supply unit, see page 30

Length mm	Order no.	PU
1500	9 082 362	1 ea.
2500	9 106 449	1 ea.

- ▶ For ArciTech, InnoTech Atira and Quadro with wooden drawers
- ▶ System components

Power supply unit

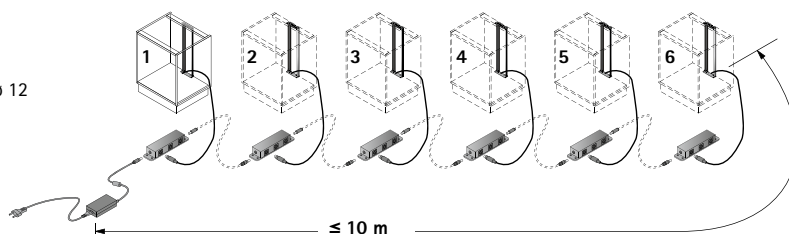
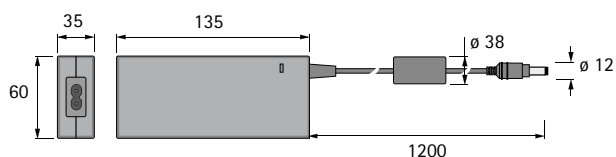


- ▶ 100 - 240 V, 50 - 60 Hz
- ▶ For connecting up to 6 distribution blocks
- ▶ Protection Class II
- ▶ 1200 mm secondary cable to the first distribution block
- ▶ Mains power cable must be ordered separately
- ▶ Including front panel drilling jig

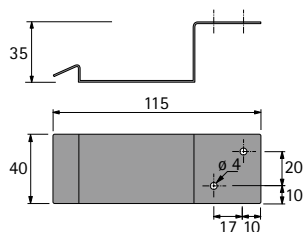
Page reference:

- ▶ Mains power cable must be ordered separately, see below

Order no.	PU
9 082 363	1 ea.



Power supply unit bracket



- ▶ For mounting on the wall or bottom of the carcass

Order no.	PU
9 082 364	1 ea.

Mains power cable



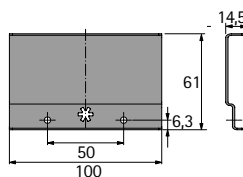
- ▶ Length 1800 mm

Order no.	PU
1 161 457	1 ea.

Easys electromechanical opening system for drawers

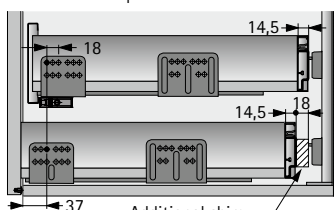
- ▶ For ArciTech, InnoTech Atira and Quadro with wooden drawers
- ▶ System components

ArciTech rear panel bracket



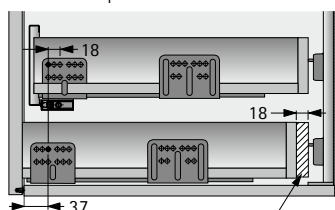
Order no.	PU
9 134 769	1 ea.

Aluminium rear panel



Additional shim must be made to measure

Wooden rear panel

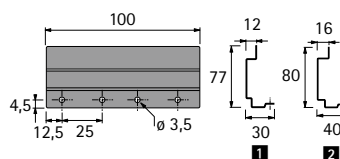


Additional shim must be made to measure

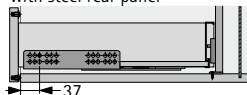
InnoTech / InnoTech Atira rear panel bracket



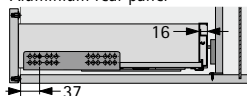
Article type	Order no.	PU
1 12 mm	9 086 714	1 ea.
2 16 mm	9 097 922	1 ea.



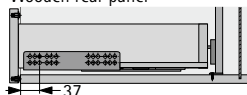
Drawer / pot-and-pan drawer with steel rear panel



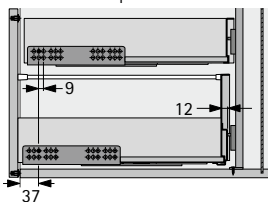
Aluminium rear panel



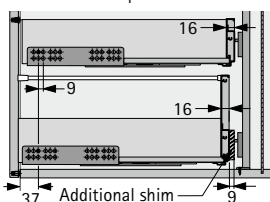
Wooden rear panel



Internal drawer / internal pot-and-pan drawer with steel rear panel

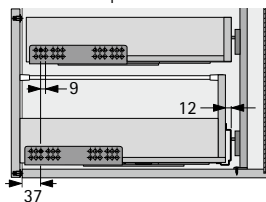


Aluminium rear panel

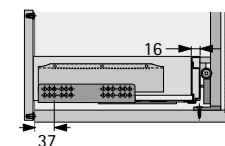


Additional shim must be made to measure

Wooden rear panel

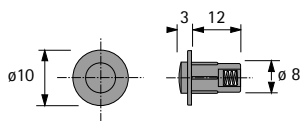


Drawer / pot-and-pan drawer with steel or aluminium rear panel and side stabiliser



- ▶ For ArciTech, InnoTech Atira and Quadro with wooden drawers
- ▶ System components

Buffer for drilling into the front panel



- ▶ For fitting into the front panel
- ▶ 4 each must be mounted per front panel for front panel heights of more than 300 mm

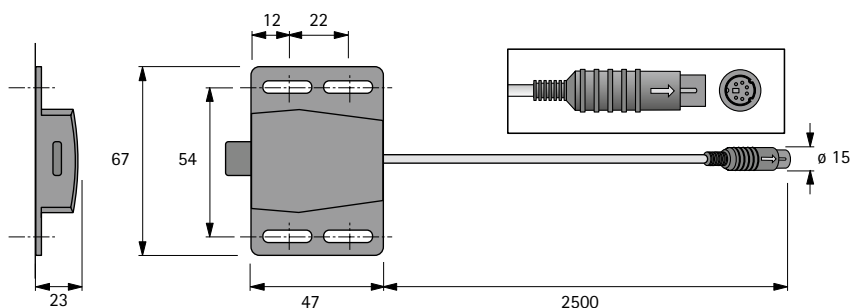
Order no.	PU
9 082 365	2 ea.

Sensor



- ▶ For reliable activation with very high front panels
- ▶ Can be retrofitted
- ▶ Always activates the drive unit addressed to 1

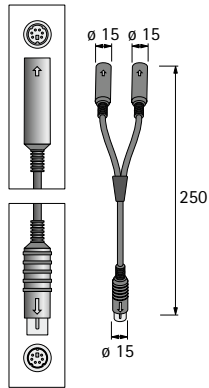
Order no.	PU
9 079 944	1 ea.



Easys electromechanical opening system for drawers

- ▶ For ArciTech, InnoTech Atira and Quadro with wooden drawers
- ▶ System components

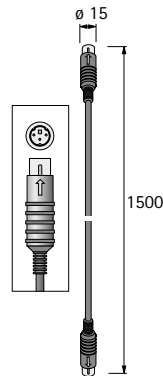
Y-cable for sensor



- ▶ Required when using two sensors

Order no.	PU
9 084 794	1 ea.

Cable for corner solution



- ▶ Prevents drawers or pot-and-pan drawers from being opened at the same time in diagonally opposite units

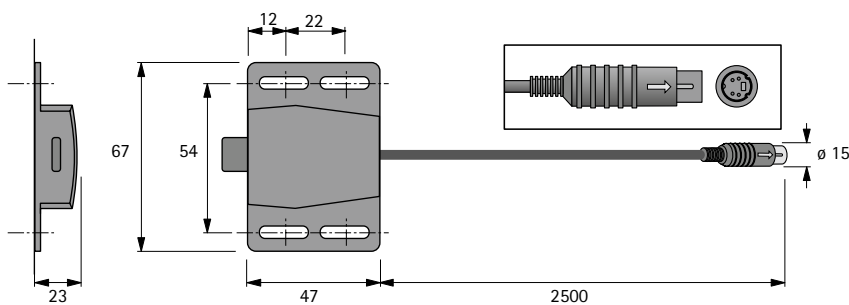
Order no.	PU
9 084 790	1 ea.

Button for collision guard



- ▶ Collision guard: prevents drawers or pot-and-pan drawers from opening when positioned next to or diagonally opposite units with hinged doors, larger units or similar cabinets

Order no.	PU
9 105 850	1 ea.



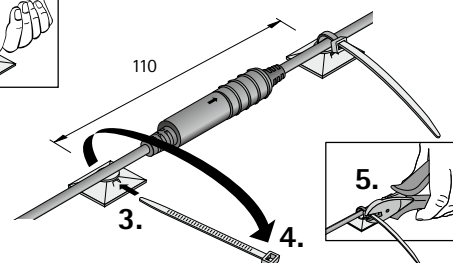
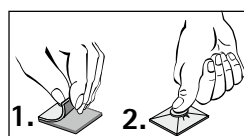
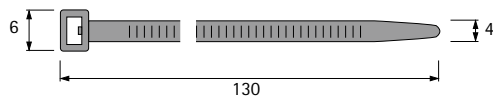
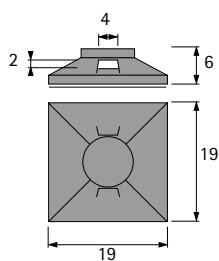
- ▶ For ArciTech, InnoTech Atira and Quadro with wooden drawers
- ▶ System components

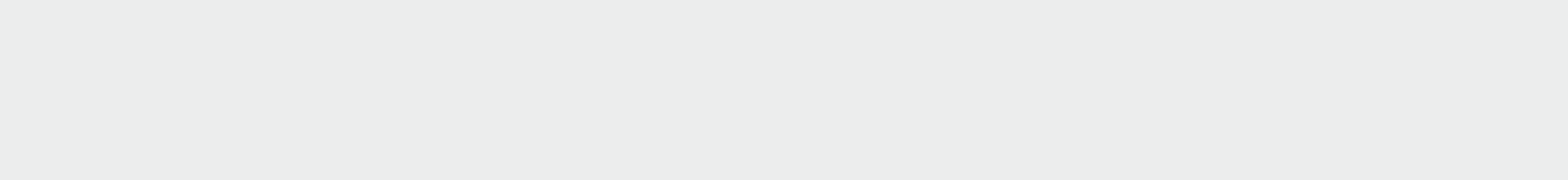
Set of cable ties



- Set comprises:
- ▶ 50 self adhesive base plates
 - ▶ 50 cable ties

Order no.	PU
9 109 834	1 set





- ▶ For ArciTech, InnoTech Atira and Quadro with wooden drawers
- ▶ Single unit application

Example application



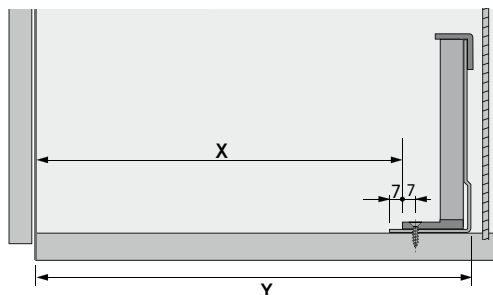
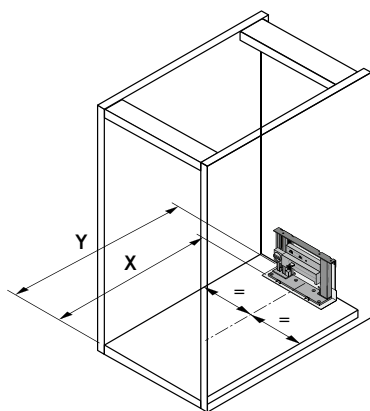
- ▶ Ideal for use with waste bins
- ▶ Can be added at any time
- ▶ Easy installation as few components:
Connection directly to power supply unit (no more than one drive unit per power supply unit)
- ▶ No addressing necessary
- ▶ No synchronisation possible
- ▶ Not compatible with electrical system components 27 - 34

Set comprises:

- ▶ 1 drive unit
- ▶ 1 mounting bracket
- ▶ 1 power supply unit
- ▶ 1 power supply unit holder
- ▶ 4 drill in buffers for fitting into the drawer front
- ▶ 1 drilling jig for drawer front
- ▶ 1 drilling depth limiter
- ▶ 1 hole marking template
- ▶ Fixing material
- ▶ 1 rear panel bracket 11 mm (only for ArciTech with steel rear panel)

Article	Order no.	PU
Easys-Set without power cord	9 125 365	1 set
Power Cord	1 161 457	1 ea.

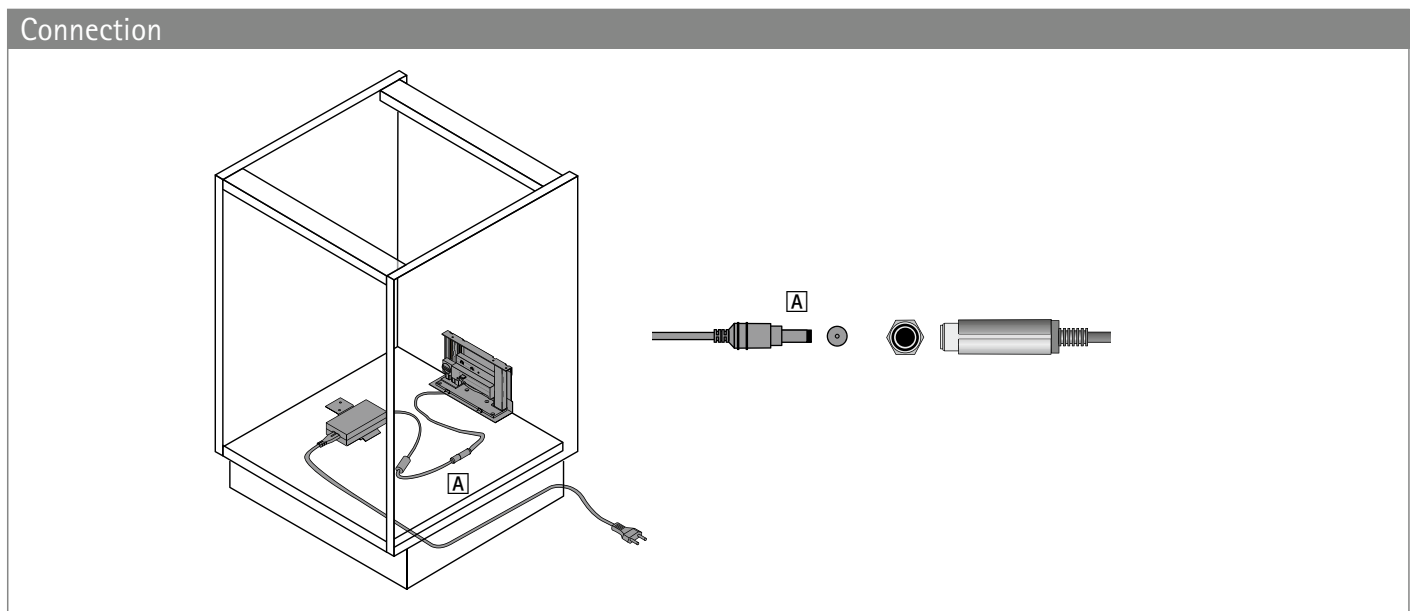
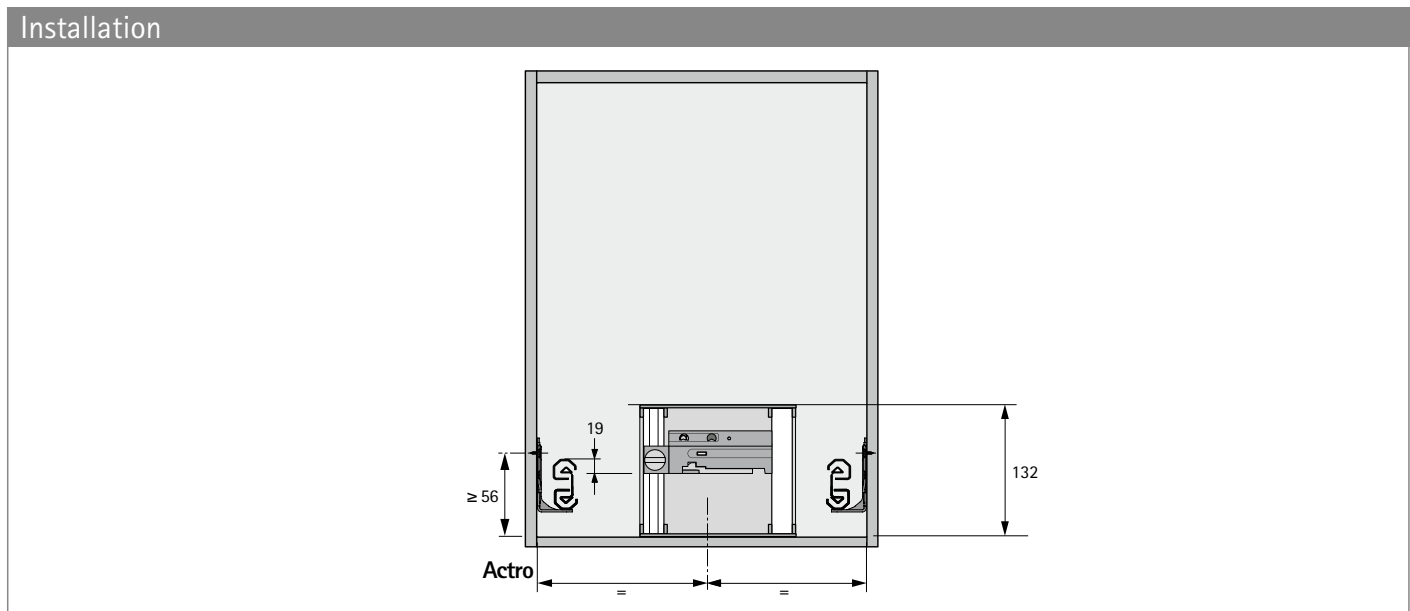
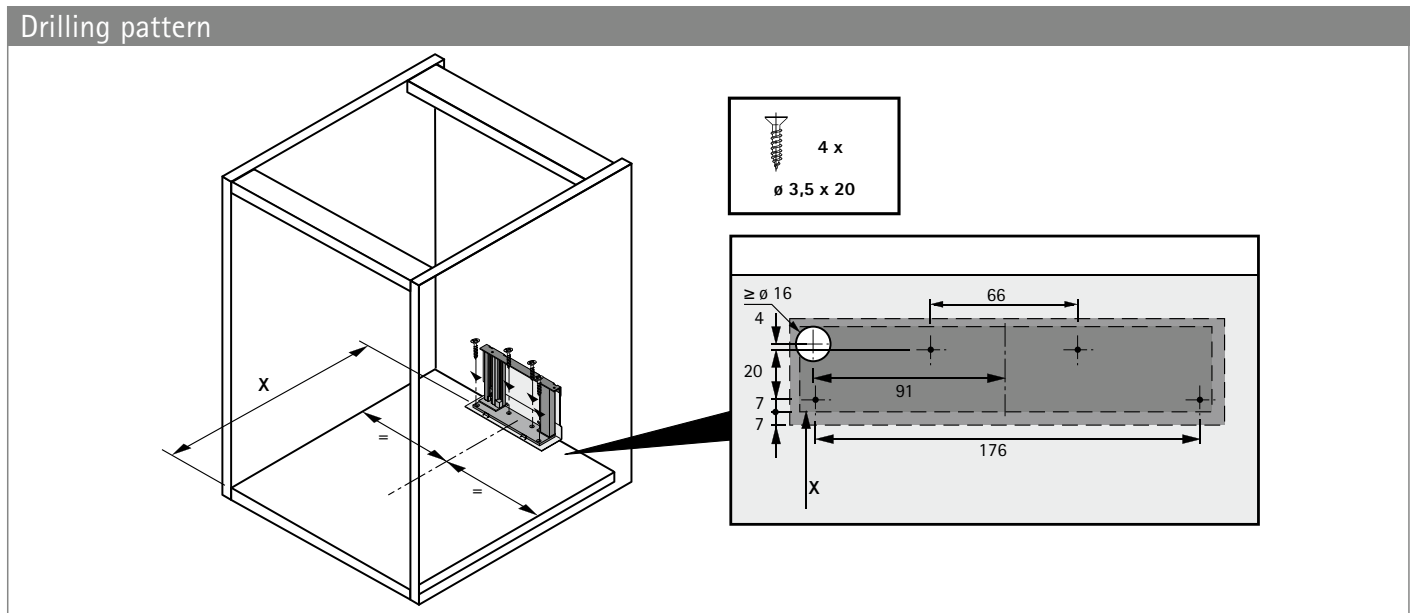
Planning dimensions



Minimum space required	X mm	Y mm
ArciTech with wooden / aluminium rear panel*	Nominal length - 13	Nominal length + 32
InnoTech Atira with wooden / aluminium rear panel*	Nominal length + 5	Nominal length + 50
Quadro with wooden drawers	Drawer length - 4	Drawer length + 42

* Rear panel bracket must be fitted, see page 31

- ▶ For ArciTech, InnoTech Atira and Quadro with wooden drawers
- ▶ Single unit application



Electromechanical opening system Easys for refrigerators

- ▶ For refrigerators
- ▶ For screwing on

Easys for refrigerators



- ▶ Electromechanical opening system for refrigerator
- ▶ Quality grades in line with EN 15570, Level 3
- ▶ For installing in refrigerator surround (500 - 600 mm width)
- ▶ For attachment with chipboard screws

Set comprises:

- ▶ 1 Easys function unit
- ▶ 3 spacers
- ▶ 1 power supply unit
- ▶ 1 power cable
- ▶ 1 drilling template
- ▶ 1 designer profile
- ▶ 2 designer sockets
- ▶ 1 counterplate
- ▶ 4 spring buffers
- ▶ 7 chipboard screws 3.5 mm dia. x 30 mm

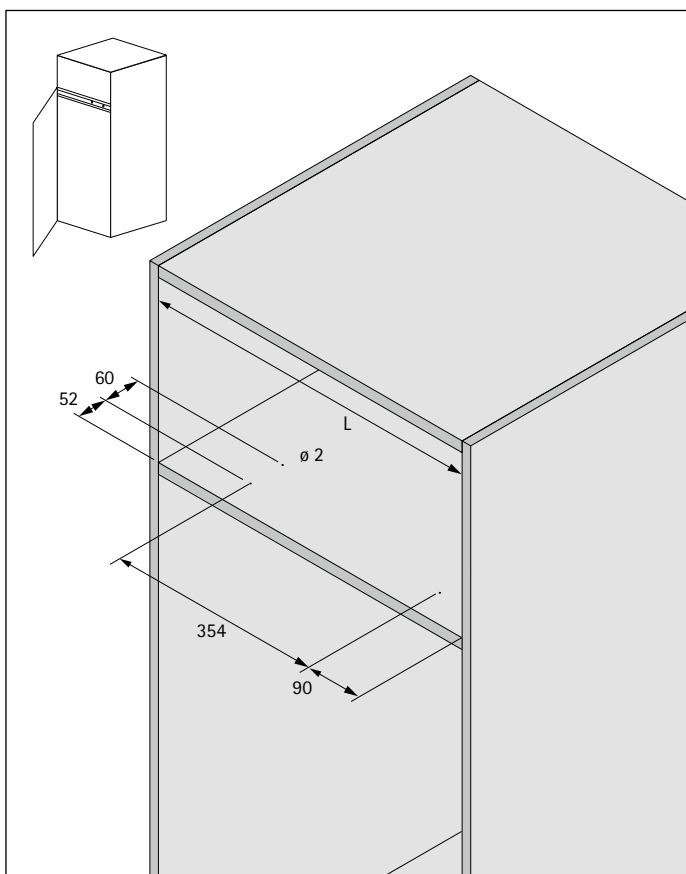


Type	Order no.	PU
Easys set	9 211 910	1 set
Power cord 180 0mm	1 161 457	1 set

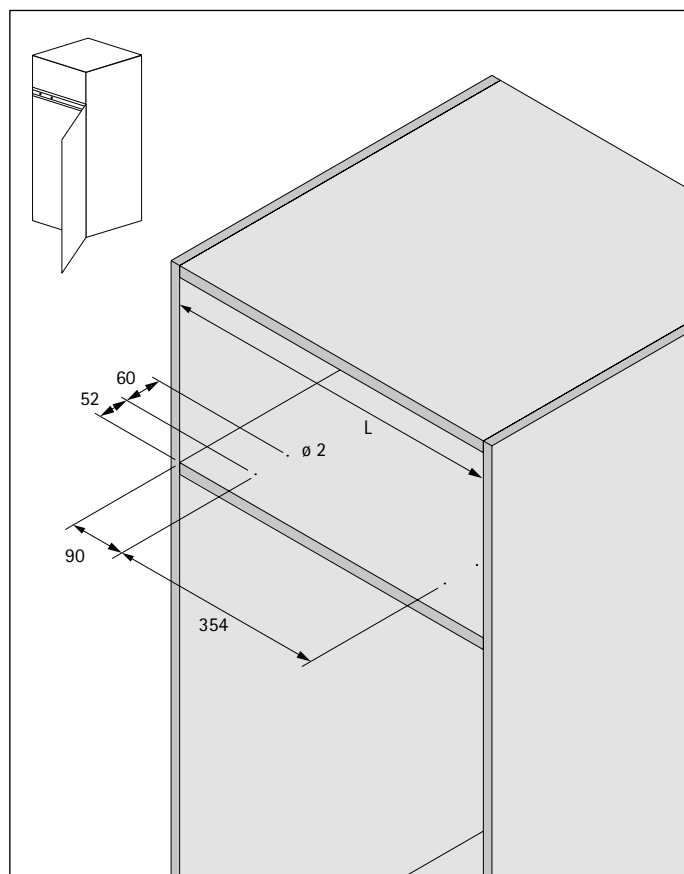
Installation video:
<https://www.hettich.com/short/13d76d>



Drilling pattern for refrigerator door mounted on left



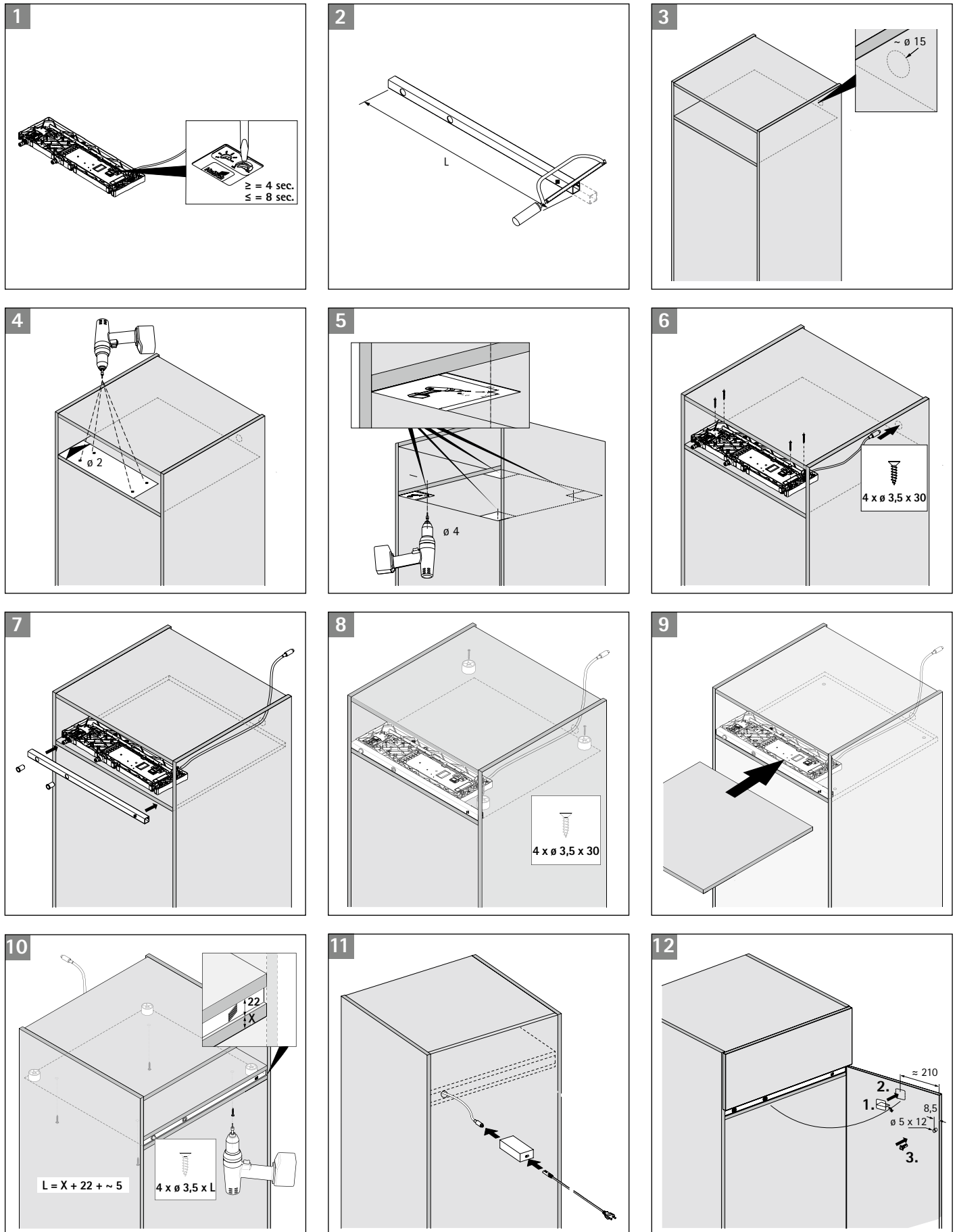
Drilling pattern for refrigerator door mounted on right



Electromechanical opening system Easys for refrigerators

- ▶ For refrigerators
- ▶ Installation

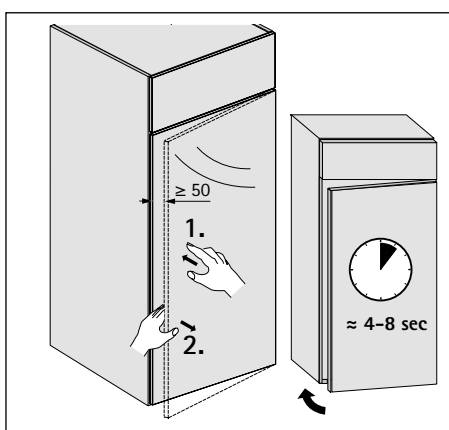
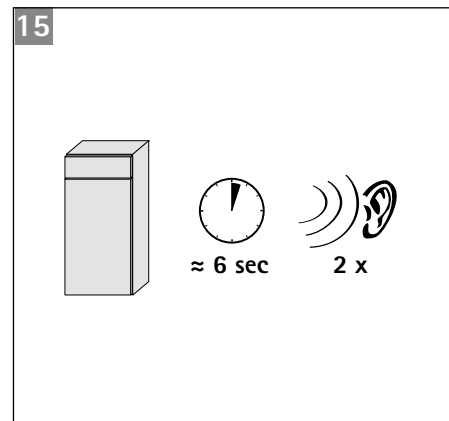
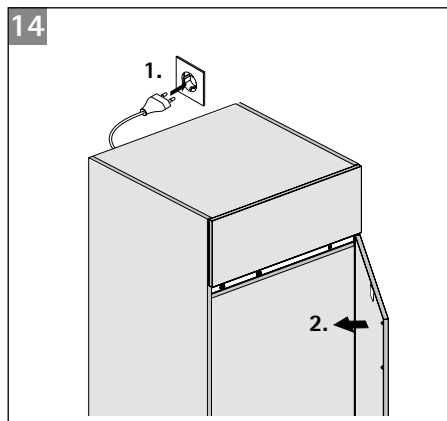
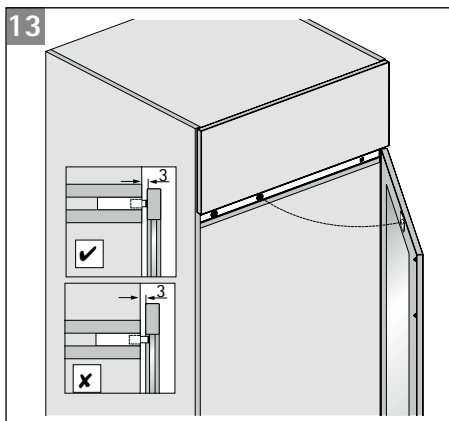
Installation



Electromechanical opening system Easys for refrigerators

- ▶ For refrigerators
- ▶ Installation

Installation





Drawer runners for wooden drawers

► Quadro drawer runners



Quadro drawer runners guarantee the ultimate in drawer convenience. With attractive design from concealed installation. With long life and constant top performance. The robust, resilient runners provide the steel balls with optimum control - for perfect vertical and lateral stability. The

optional Silent System gently shuts drawers in complete silence. The Push to open function automatically opens the pull-out in response to a light press on the front panel - for handleless fronts.



Quadro:
Precision engineered for strength and excellent running quality.



For all demands:
Partial and full extension runners in many lengths and loading categories.



For the most exacting of demands:
Even heavy drawers close quietly and gently - thanks to the integrated Silent System.



Push to open:
The perfect solution for opening handleless drawers.



Wooden drawers very easy to install:
Simple slide on principle.

Drawer runners for wooden drawers

- ▶ Quadro drawer runners
- ▶ Summary



Quadro runners for wooden drawers
Range summary / technical comparison

44



Quadro V6 full extension runners with silent system
Slide on installation

46 - 47



Quadro 25 partial extension runners with silent system
Slide on installation




48 - 49



Quadro V6 / full extension with push to open
Slide on installation

50 - 53

- ▶ Quadro drawer runners
- ▶ Range summary / technical comparison

	Quadro V6 with Silent System 	Quadro 25 with Silent System 	Quadro V6 with Push to open 
Page	46 - 47	48 - 49	50 - 53
Description	Full extension runner with integrated Silent System	Partial extension runner with integrated Silent System	Full extension runner with integrated opening system
Load capacity	30 kg	25 kg	30 kg
Drawer lengths	280 - 600 mm	300 - 550 mm	300 - 600 mm
Installation	<ul style="list-style-type: none"> ▶ On cabinet body side ▶ Slide on installation 	<ul style="list-style-type: none"> ▶ On cabinet body side ▶ Slide on installation 	<ul style="list-style-type: none"> ▶ On cabinet body side ▶ Slide on installation
Installed width	▶ EB 20 (up to 16 mm side profile thickness)	▶ EB 20 (up to 16 mm side profile thickness)	▶ EB 20 (up to 16 mm side profile thickness)

Drawer runners for wooden drawers



- ▶ **Quadro V6 full extension runner with Silent System**
- ▶ **Load capacity 30 kg**



- ▶ **Slide on installation** with catches and tool-less height adjustment
- ▶ Integrated **Silent System**
- ▶ Suitable for drawers with a side profile thickness of up to 16 mm
- ▶ Platform concept: identical cabinet body, drawer and front panel dimension for Quadro partial and full extension runners for slide on installation
- ▶ Load capacity to EN 15338, Level 3
- ▶ Galvanised steel

Quadro V6 with Silent System

Nominal length / drawer length NL mm	Minimum cabinet body depth KT mm	Hole spacing b1 mm	Hole spacing b2 mm	Order no.		PU
				left	right	
280	293	160		9 118 026	9 118 027	20 ea.
300	313	192		9 118 030	9 118 031	20 ea.
350	363	192		9 113 013	9 113 014	20 ea.
380	393	224		9 118 052	9 118 053	20 ea.
400	413	224		9 099 108	9 099 110	20 ea.
420	433	224		9 118 000	9 118 011	20 ea.
450	463	256		9 099 124	9 099 125	20 ea.
480	493	256		9 118 037	9 118 039	20 ea.
500	513	288	224	9 118 058	9 118 059	20 ea.
520	533	288	224	9 117 998	9 117 999	20 ea.
550	563	288	224	9 118 043	9 118 044	20 ea.
580	593	352		9 118 064	9 118 065	20 ea.
600	613	352		9 118 028	9 118 029	20 ea.

Catch for wooden drawers (Quadro 25 and Quadro V6)

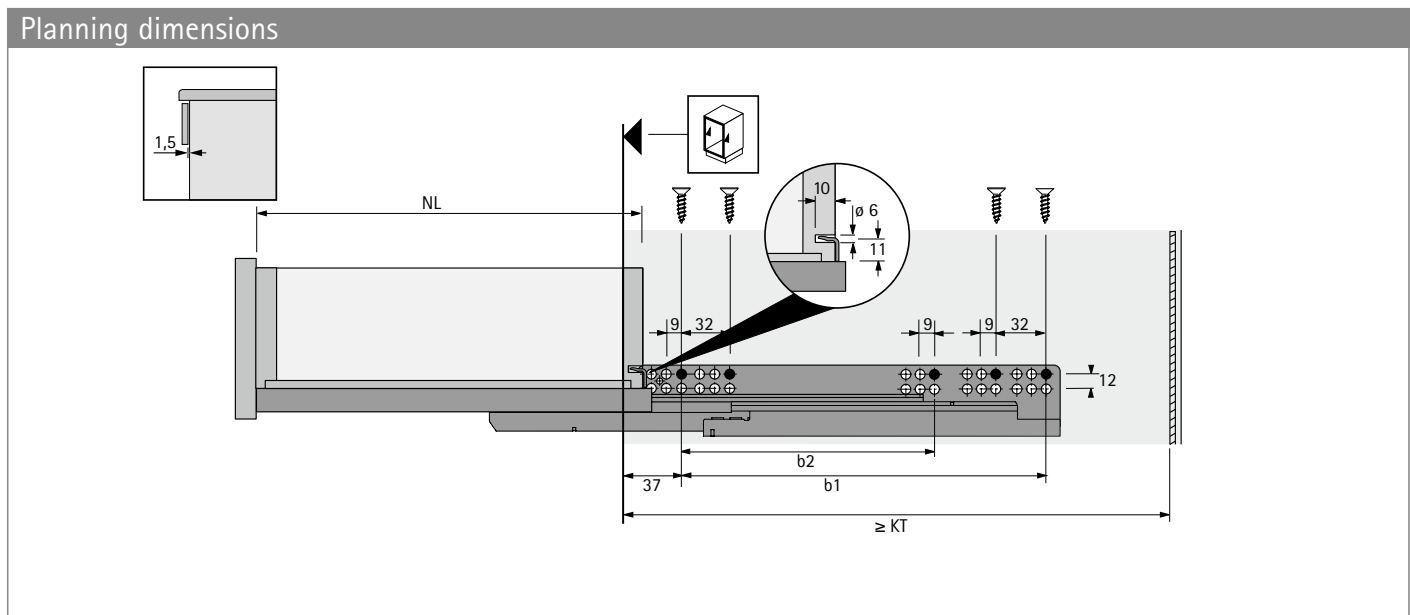
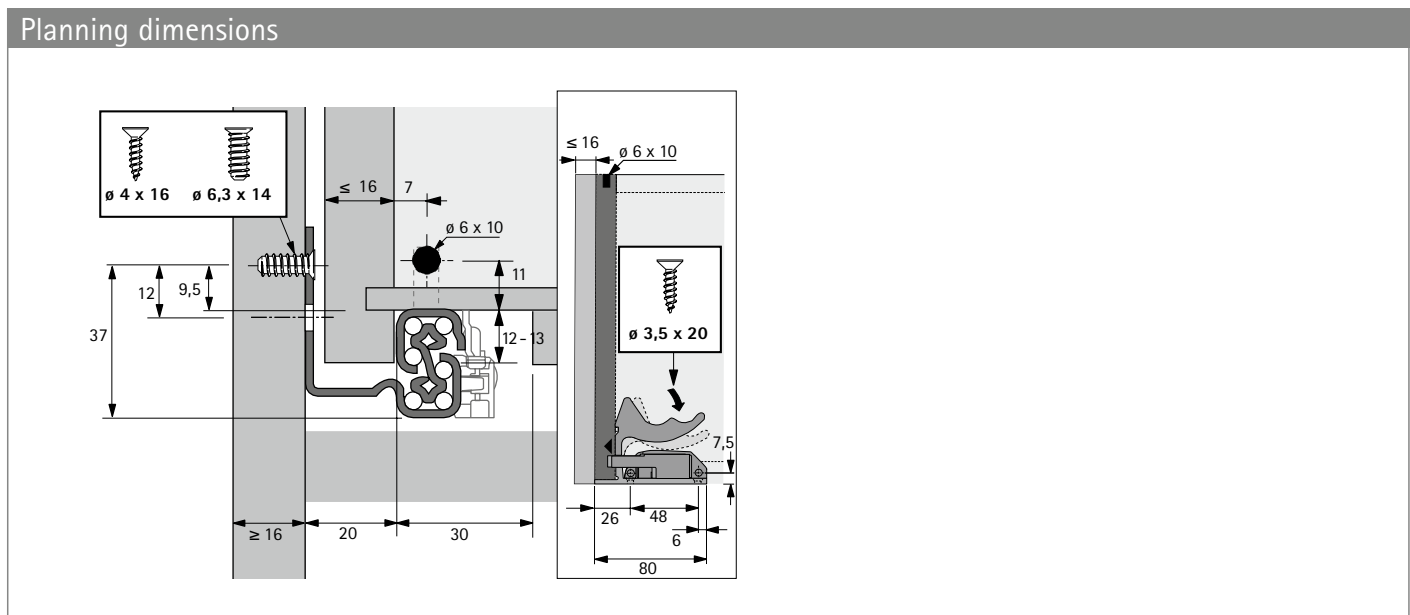
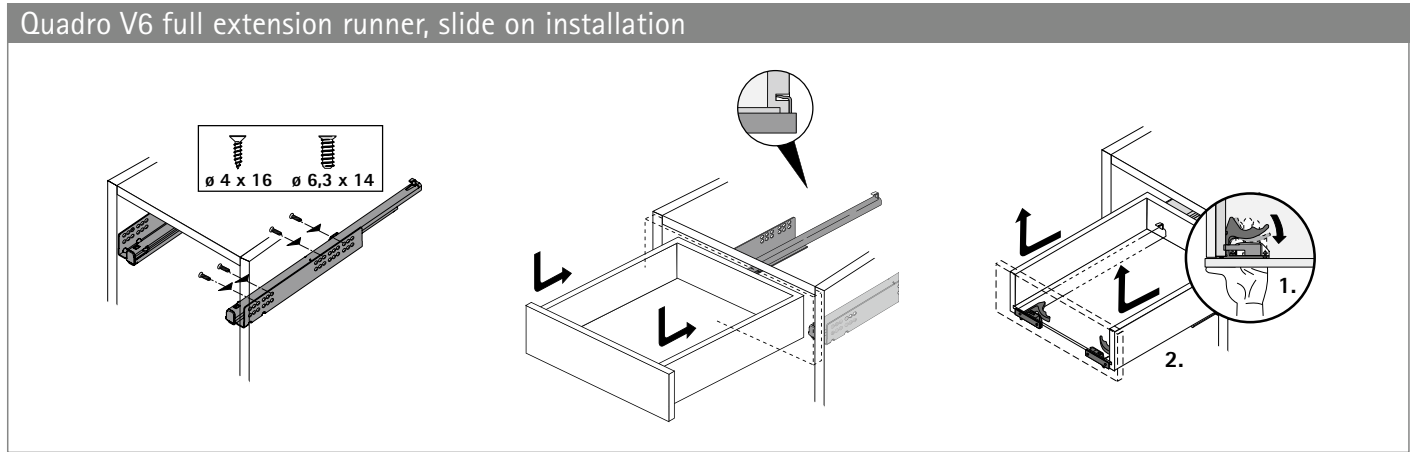


- ▶ For secure, tool-less connection of Quadro runners and wooden drawers
- ▶ Infinite height adjustment up to + 2 mm via a knurled wheel
- ▶ Plastic, black

Cabinet side	Order no.	PU
left	9 144 830	100 ea.
right	9 144 841	100 ea.

Drawer runners for wooden drawers

- ▶ Quadro V6 full extension runner with Silent System
- ▶ Load capacity 30 kg



Drawer runners for wooden drawers

- ▶ **Quadro 25 partial extension runner with Silent System**
- ▶ **Load capacity 25 kg**



- ▶ **Slide on installation** with catches and tool-less height adjustment
- ▶ Integrated **Silent System**
- ▶ Suitable for drawers with a side profile thickness of up to 16 mm
- ▶ Platform concept: identical cabinet body, drawer and front panel dimension for Quadro partial and full extension runners for slide on installation
- ▶ Load capacity to EN 15338, Level 3
- ▶ Galvanised steel

Quadro 25 with Silent System

Nominal length / drawer length NL mm	Minimum cabinet body depth KT mm	Extension loss EL mm	Hole spacing b1 mm	Order no.	PU
300	313	50	160	9 135 946	15 sets
350	363	62	192	9 135 948	15 sets
380	393	62	224	9 135 949	15 sets
400	413	74	224	9 135 950	15 sets
450	463	86	256	9 135 952	15 sets
500	513	98	288	9 135 954	15 sets
520	533	98	288	9 135 955	15 sets
550	563	98	320	9 135 956	15 sets

Catch for wooden drawers (Quadro 25 and Quadro V6)



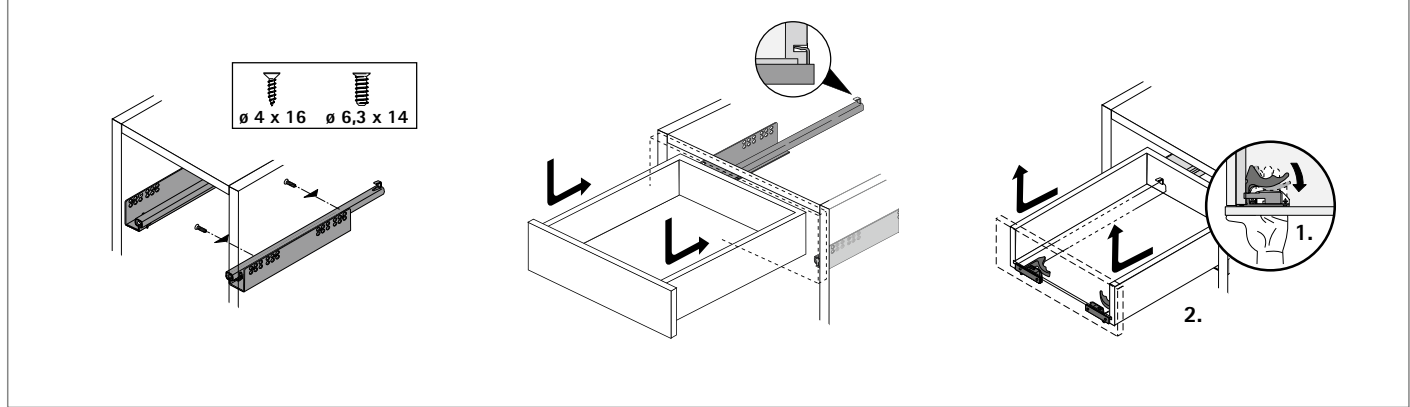
- ▶ For secure, tool-less connection of Quadro runners and wooden drawers
- ▶ Infinite height adjustment up to + 2 mm via a knurled wheel
- ▶ Plastic, black

Cabinet side	Order no.	PU
left	9 144 830	100 ea.
right	9 144 841	100 ea.

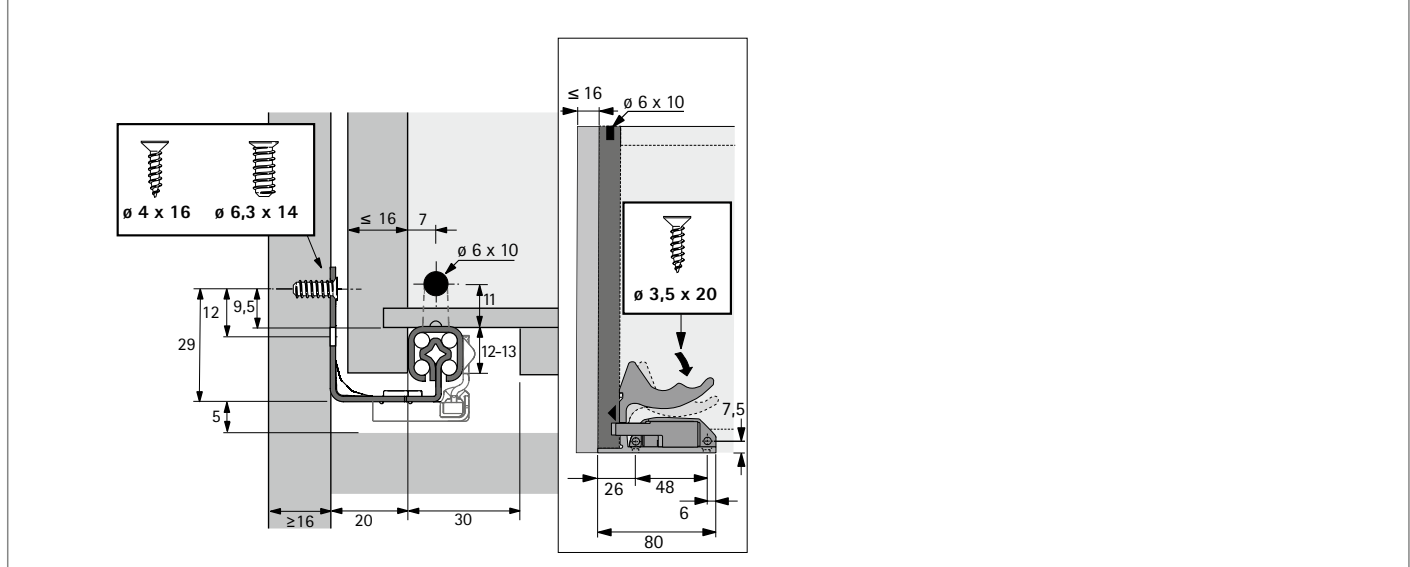
Drawer runners for wooden drawers

- ▶ Quadro 25 partial extension runner with Silent System
- ▶ Load capacity 25 kg

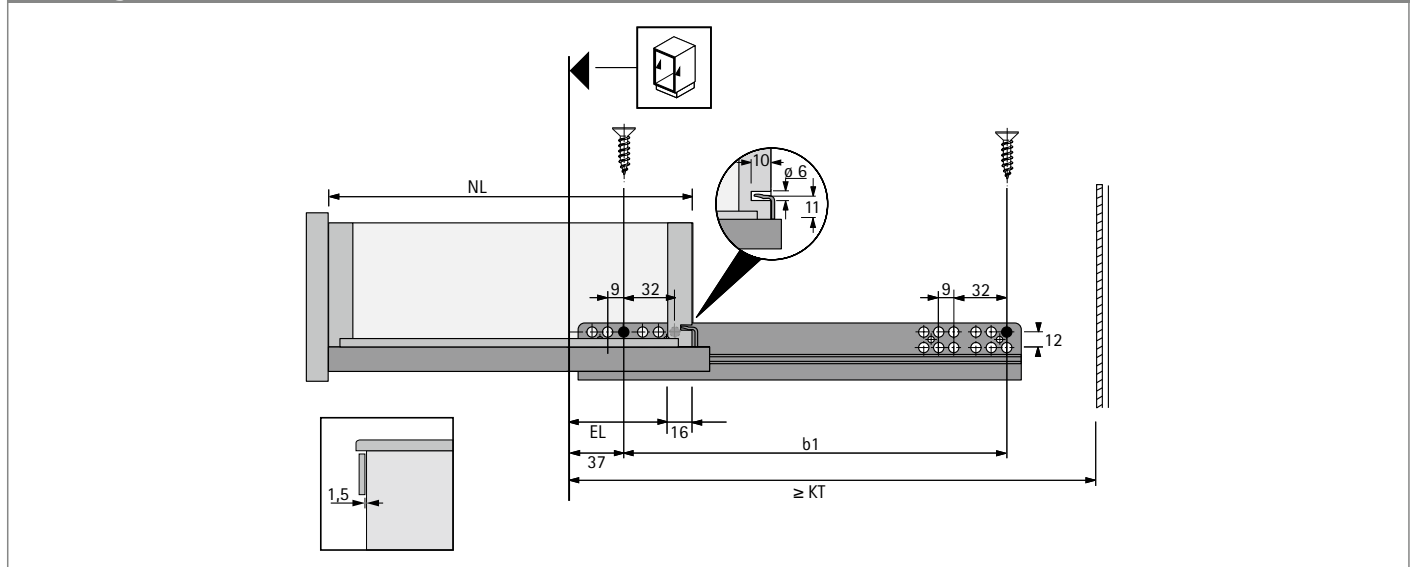
Quadro 25 partial extension runner, slide on installation



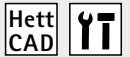
Planning dimensions



Planning dimensions



Drawer runners for wooden drawers



- ▶ **Quadro V6 full extension runner with Push to open**
- ▶ **Load capacity 30 kg**



- ▶ **Slide on installation** with catches and tool-less height adjustment
- ▶ Integrated opening mechanism **Push to open**
- ▶ Optional synchronisation
- ▶ Suitable for drawers with a side profile thickness of up to 16 mm
- ▶ Platform concept: identical cabinet body, drawer and front panel dimension for Quadro partial and full extension runners for slide on installation
- ▶ Load capacity to EN 15338, Level 3
- ▶ Galvanised steel

Quadro V6 with Push to open

Nominal length / drawer length NL mm	Minimum cabinet body depth KT mm	Hole spacing b1 mm	Hole spacing b2 mm	Order no.	PU
300	313	192		9 111 236	10 sets
350	363	192		9 111 238	10 sets
380	393	224		9 111 239	10 sets
400	413	224		9 111 240	10 sets
450	463	256		9 111 241	10 sets
500	513	288	224	9 111 242	10 sets
520	533	288	224	9 111 243	10 sets
550	563	288	224	9 111 244	10 sets

Catch for wooden drawers (Quadro 25 and Quadro V6)



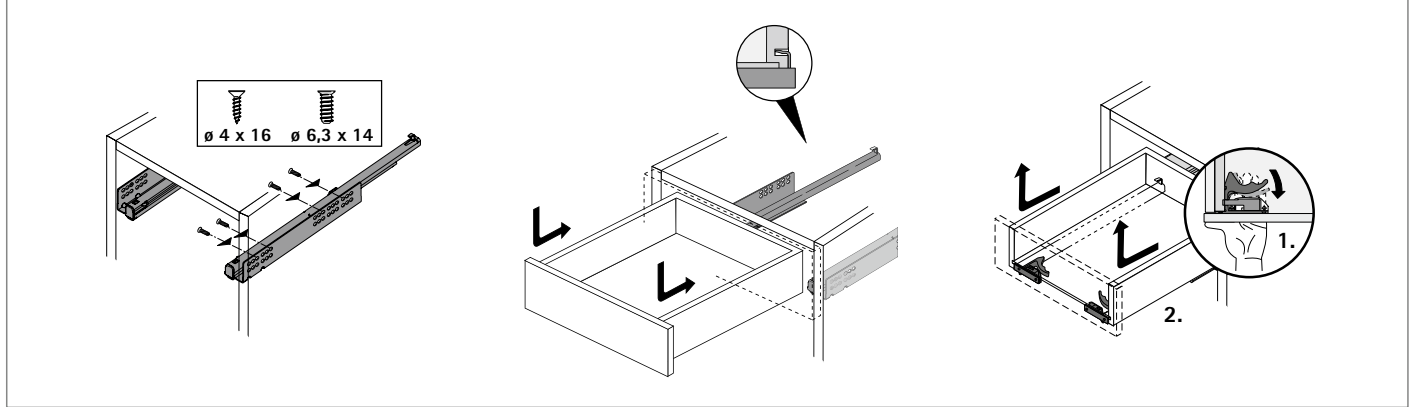
- ▶ For secure, tool-less connection of Quadro runners and wooden drawers
- ▶ Infinite height adjustment up to + 2 mm via a knurled wheel
- ▶ Plastic, black

Cabinet side	Order no.	PU
left	9 144 830	100 ea.
right	9 144 841	100 ea.

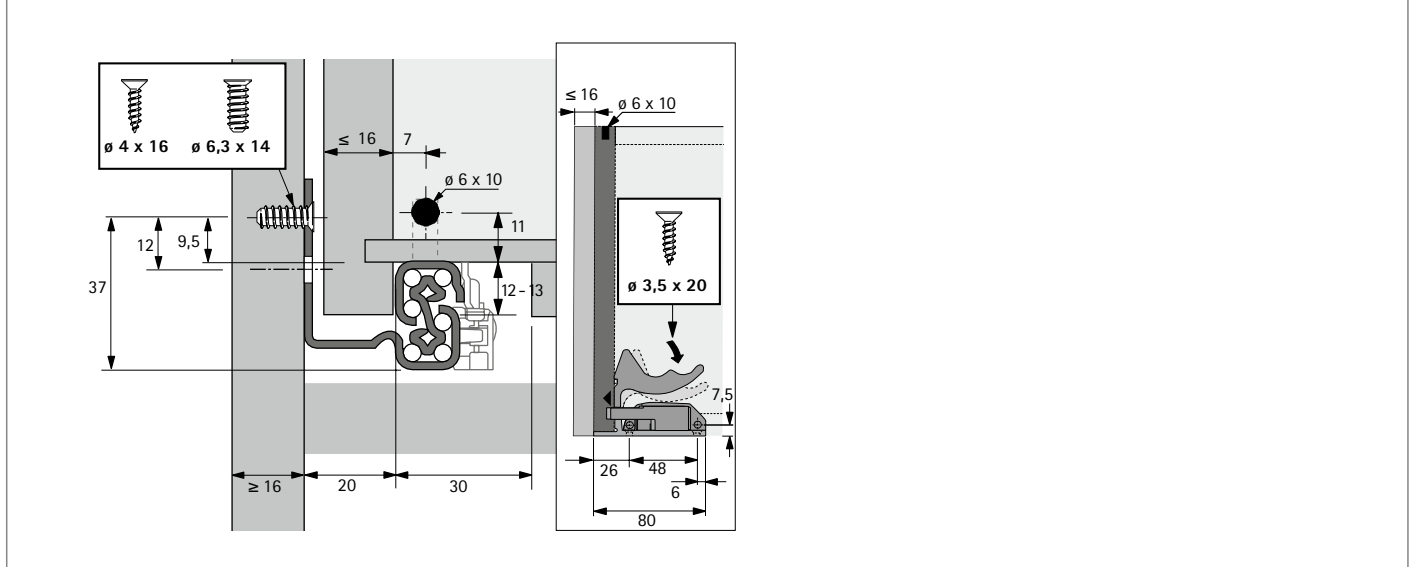
Drawer runners for wooden drawers

- ▶ Quadro V6 full extension runner with Push to open, EB 20 (up to 16 mm side profile thickness)
- ▶ Load capacity 30 kg

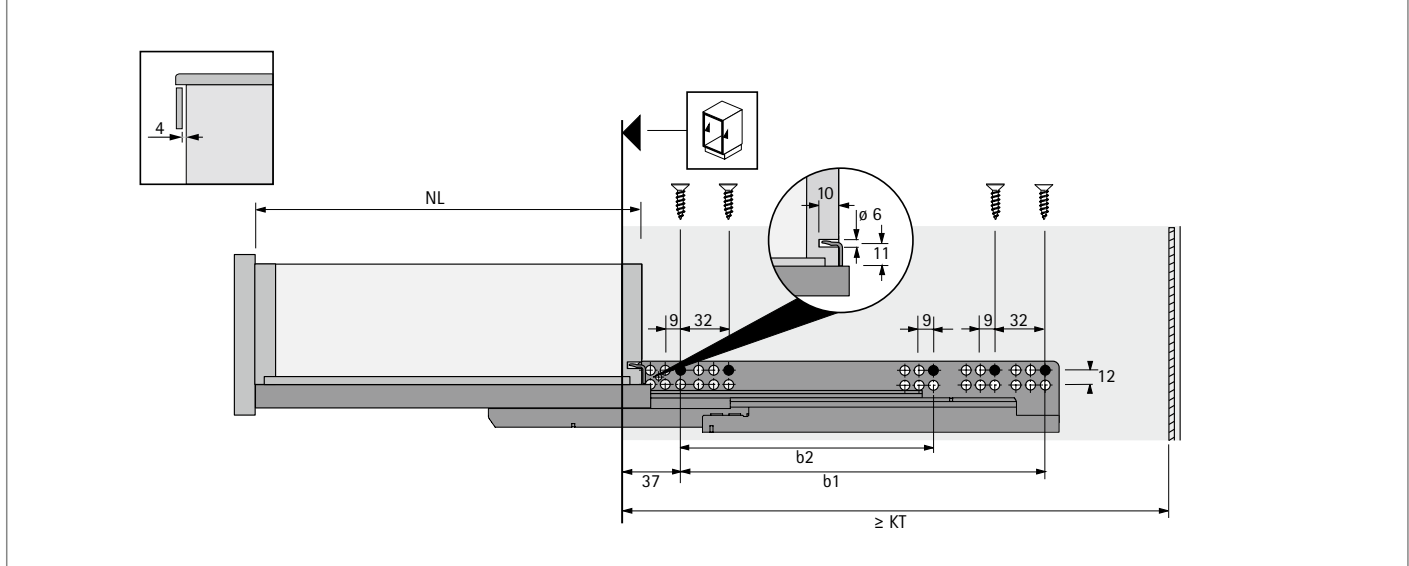
Quadro V6 full extension runner, slide on installation



Planning dimensions



Planning dimensions



Drawer runners for wooden drawers

- ▶ Accessories
- ▶ Synchronisation for Quadro V6 Push to Open

Synchronisation for Quadro Push to open



- ▶ Use recommended on cabinet bodies in a width of 600 mm and over
- ▶ For nominal lengths of 300 - 550 mm
- ▶ Synchronisation bar for cutting to length, up to max. cabinet body width of 2000 mm, can be extended with connector

The following items are required for use:

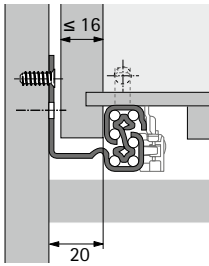
- ▶ 1 synchronisation bar
- ▶ 2 adapters
- ▶ Waste can be minimised using the connector

Article	Order no.	PU
1 Synchronisation bar	9 236 718	1/100 ea.
2 Adapter	9 219 966	1/200 ea.
3 Connector	9 221 295	1/20 ea.

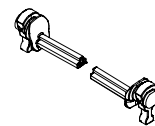
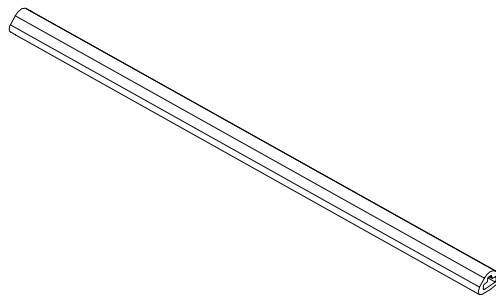
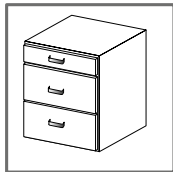
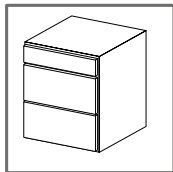
Quadro installed width

The following dimensions apply:

SD mm	≤ 16
EB mm	20



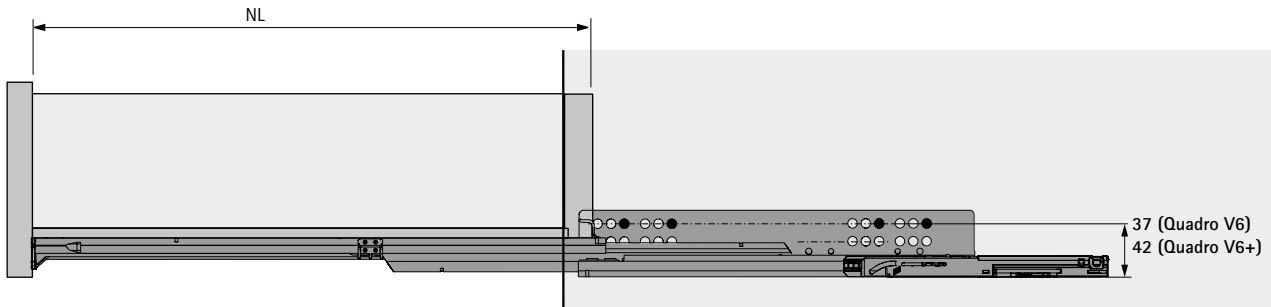
Push to open with optional synchronisation



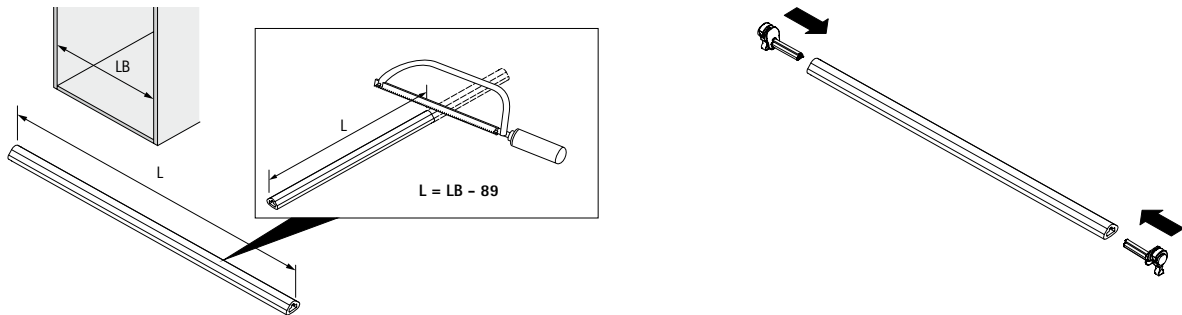
Drawer runners for wooden drawers

- ▶ Accessories
- ▶ Synchronisation for Quadro V6 Push to open

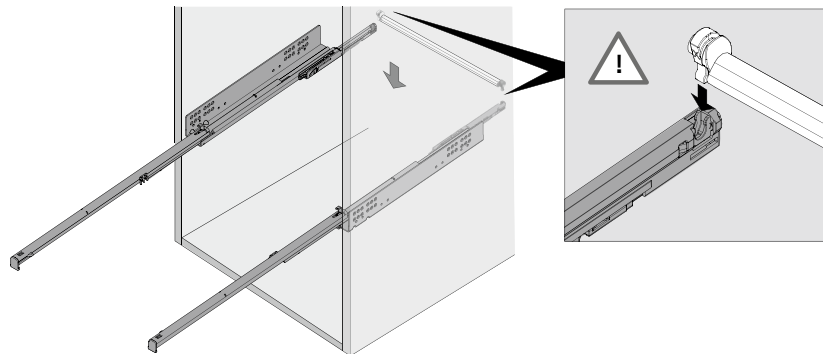
Lengthwise cross-section



Dimensions for cutting to size



Installation



Drawer runners for wooden drawers

▶ KA ball bearing runners



Intelligent technology – robust quality:

The ball bearing runners from Hettich guarantee smooth running action and high lateral stability. Hardened steel ball bearings, enclosed in noise absorbing plastic, provide many years of reliable, maintenance free service in any

application. Available as partial, full or over extension runners, they are the ideal choice when it come to meeting exacting demands in the office, living room or bedroom.



Full extension runner:
with smooth gliding action and ergonomic access to drawer contents, load capacity up to 136 kg.



Over extension runner:
whole storage space at a glance, with a load capacity up to 90 kg.

- ▶ KA ball bearing runners
- ▶ Summary



Ball bearing runners full extension

60



Ball bearing runners full extension with Stop Control

61



Ball bearing runners full extension with Silent System

62 - 63



Ball bearing runners full extension with Push to Open

64 - 65



Ball bearing runners over extension




66 - 67



Technical information

68 - 69

- ▶ KA ball bearing runners
- ▶ Range summary / technical comparison

	KA 5632	KA 5632 SC	KA 4532 Silent System
			
Page	60	61	62
Description	Full extension runner, separable	Full extension runner with integrated self closing, separable	Full extension runner with integrated Silent System, separable
Load capacity	45 kg	40 kg	35 kg
Drawer lengths	250 - 650 mm	300 - 550 mm	300 - 650 mm
Installation	Side installation	Side installation	Side installation

Drawer runners for wooden drawers



- ▶ KA ball bearing runners
- ▶ Range summary / technical comparison

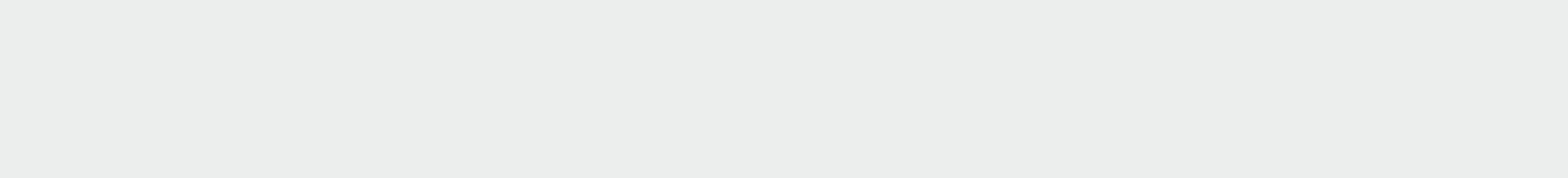
KA 4532 BM Silent System	KA 4532 Push to open	KA 4532 BM Push to open	KA 4932
63	64	65	66
Full extension runner with integrated Silent System, separable	Full extension runner with integrated opening system, separable	Full extension runner, separable	Over extension runner, separable
35 kg	35 kg	35 kg	60 kg
350 - 650 mm	300 - 650 mm	300 - 650 mm	350 - 650 mm
Bottom installation	Side installation	Bottom installation	Side installation

- ▶ KA ball bearing runners
- ▶ Range summary / technical comparison

KA 4620



Page	67
Description	Over extension runner for 19 mm installed width, separable
Load capacity	90 kg
Drawer lengths	450 - 700 mm
Installation	Side installation



Drawer runners for wooden drawers

- ▶ KA 5632 full extension runner for side installation
- ▶ Load capacity 45 kg

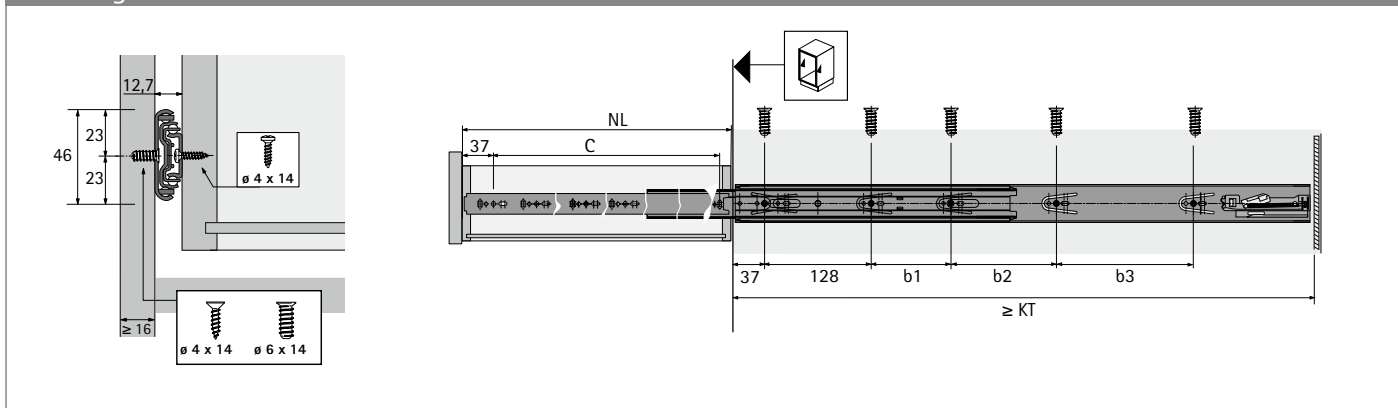


- ▶ Precision full extension runner with pull-out stop and roll-out prevention
- ▶ A release lever makes the drawer easy to remove and reinstall
- ▶ Precision control for moving smoothly and freely
- ▶ High side stability
- ▶ Galvanised steel

KA 5632 ball bearing runner, 12.7 mm installation width

Nominal length / drawer length NL mm	Minimum carcase depth KT mm	Hole spacing b1 mm	Hole spacing b2 mm	Hole spacing b3 mm	Hole spacing b4 mm	Hole spacing b5 mm	Hole spacing C mm	Order no.	PU
250	254 mm						192	1 071 891	1 pair
300	304 mm	96					242	1 071 893	1 pair
350	354 mm	96					292	1 071 894	1 pair
400	404 mm	96	96				342	1 071 895	1 pair
450	454 mm	96	128				392	1 071 896	1 pair
500	504 mm	96	128	64			442	1 071 897	1 pair
550	554 mm	96	128	64	32	32	492	1 071 898	1 pair
600	604 mm	96	128	96	32	32	542	1 071 899	1 pair
650	654 mm	96	128	160	32	32	592	1 071 900	1 pair

Planning dimensions



Drawer runners for wooden drawers

- ▶ KA 5632 SC full extension runner with Stop Control for side installation
- ▶ Load capacity 40 kg

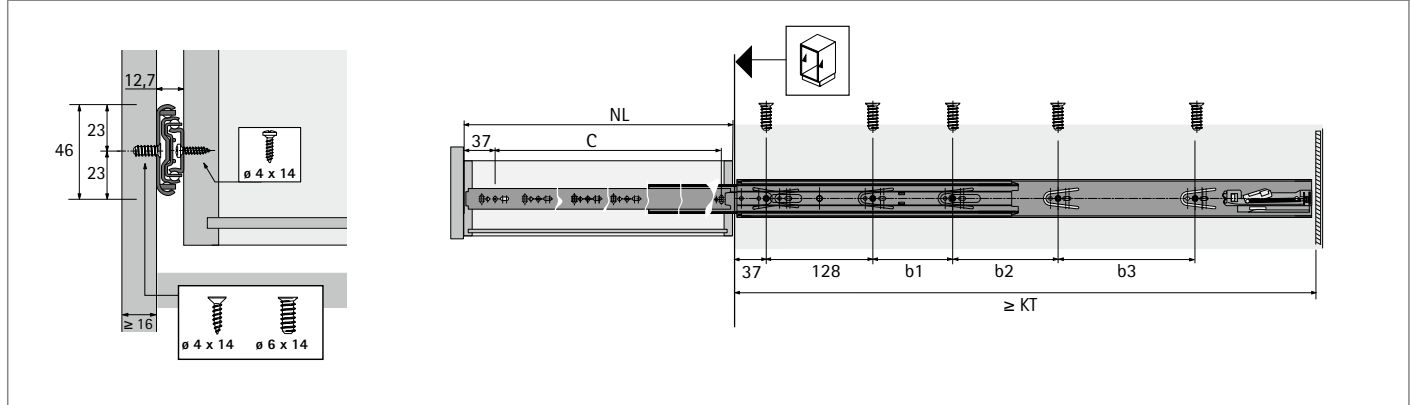


- ▶ **Stop Control** – integrated self closing reliably and automatically closes the drawer
- ▶ A release lever makes the drawer easy to remove and reinstall
- ▶ Precision control for moving smoothly and freely
- ▶ High side stability
- ▶ Galvanised steel

KA 5632 ball bearing runner SC with self closing mechanism, 12.7 mm installation width

Nominal length / drawer length NL mm	Minimum carcase depth KT mm	Hole spacing b1 mm	Hole spacing b2 mm	Hole spacing b3 mm	Hole spacing C mm	Order no.	PU
300	304				208	9 068 958	1 pair
350	354				240	9 068 961	1 pair
400	404	96			288	9 068 962	1 pair
450	454	96			320	9 068 963	1 pair
500	504	96	128		352	9 068 964	1 pair
550	554	96	128		416	9 068 965	1 pair

Planning dimensions



Drawer runners for wooden drawers

- ▶ KA 4532 full extension runner with Silent System for side installation
- ▶ Load capacity 35 kg

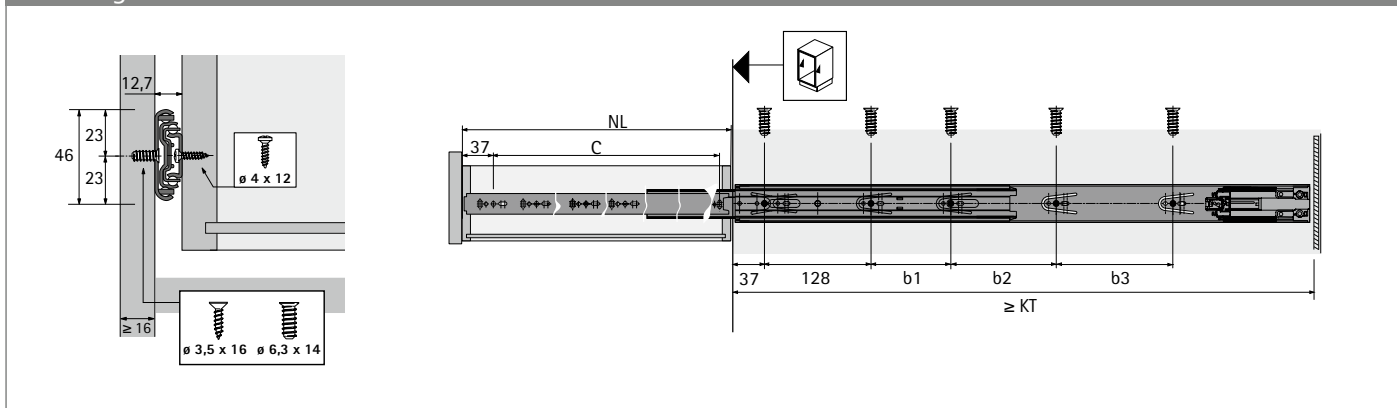


- ▶ **Silent System** - the integrated Silent System closes the drawer quietly and gently
- ▶ A release lever makes the drawer easy to remove and reinstall
- ▶ Precision control for moving smoothly and freely
- ▶ High side stability
- ▶ Galvanised steel

Ball bearing runner KA 4532 Silent System, 12.7 mm installation width

Nominal length / drawer length NL mm	Minimum carcass depth KT mm	Hole spacing b1 mm	Hole spacing b2 mm	Hole spacing b3 mm	Hole spacing C mm	Order no.	PU
300	304 mm				171	9 114 271	1/10 pairs
350	354 mm	64			220	9 114 273	1/10 pairs
400	404 mm	64			254	9 114 274	1/10 pairs
450	454 mm	96			294	9 114 275	1/10 pairs
500	504 mm	96	64		344	9 114 276	1/10 pairs
550	554 mm	96	128		394	9 114 277	1/10 pairs
600	604	96	160		444	9 114 278	1/10 pairs
650	654	96	128	96	494	9 114 279	1/10 pairs

Planning dimensions



Drawer runners for wooden drawers

- ▶ KA 4532 AM full extension runner with Silent System for bottom installation
- ▶ Load capacity 35 kg

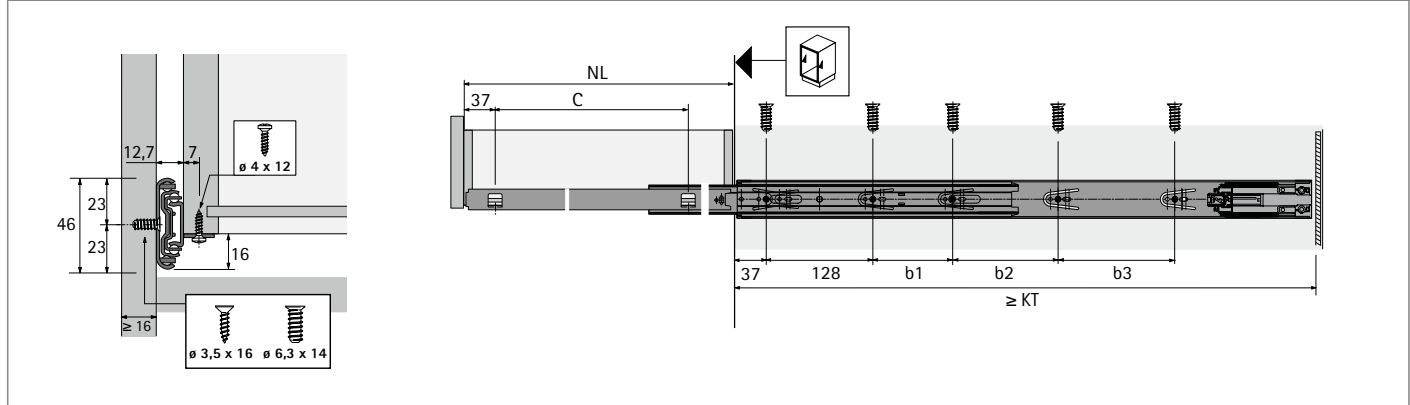


- ▶ **Silent System** - the integrated Silent System closes the drawer quietly and gently
- ▶ A release lever makes the drawer easy to remove and reinstall
- ▶ Precision control for moving smoothly and freely
- ▶ High side stability
- ▶ Galvanised steel

KA 4532 BM ball bearing runner Silent System, 12.7 mm installation width

Nominal length / drawer length NL mm	Minimum carcase depth KT mm	Hole spacing b1 mm	Hole spacing b2 mm	Hole spacing b3 mm	Hole spacing C mm	Order no.	PU
350	354	64			280	9 114 553	1/10 pairs
400	404	64			315	9 114 554	1/10 pairs
450	454	96			365	9 114 555	1/10 pairs
500	504	96	64		415	9 114 557	1/10 pairs
550	554	96	128		465	9 114 558	1/10 pairs
600	604	96	160		515	9 114 559	1/10 pairs
650	654	96	128	96	565	9 114 560	1/10 pairs

Planning dimensions



Drawer runners for wooden drawers

- ▶ KA 4532 full extension runner with Push to open for side installation
- ▶ Load capacity 35 kg

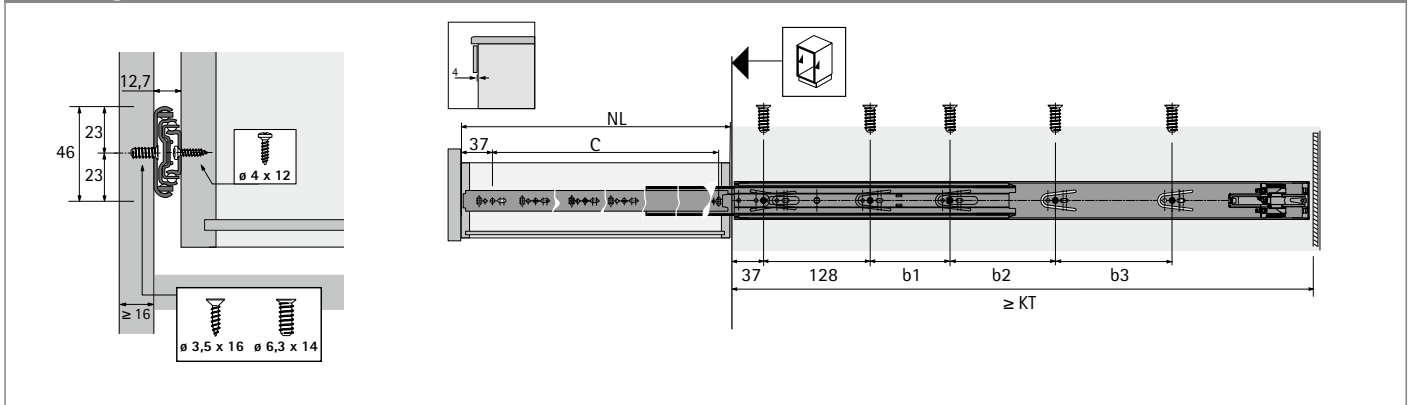


- ▶ **Push to open** - the precision activating mechanism opens the drawer automatically and in virtual silence - a light press is all it takes!
- ▶ A release lever makes the drawer easy to remove and reinstall
- ▶ Precision control for moving smoothly and freely
- ▶ High side stability
- ▶ Galvanised steel

Ball bearing runner KA 4532 Push to open, 12.7 mm installation width

Nominal length / drawer length NL mm	Minimum carcass depth KT mm	Hole spacing b1 mm	Hole spacing b2 mm	Hole spacing b3 mm	Hole spacing C mm	Order no.	PU
300	304				192	9 114 281	1/10 pairs
350	354	64			242	9 114 282	1/10 pairs
400	404	96			292	9 114 283	1/10 pairs
450	454	160			342	9 114 284	1/10 pairs
500	504	96	96		392	9 114 285	1/10 pairs
550	554	96	128		442	9 114 286	1/10 pairs
600	604	96	128	96	492	9 114 288	1/10 pairs
650	654	96	128	128	542	9 114 289	1/10 pairs

Planning dimensions



Drawer runners for wooden drawers

- ▶ KA 4532 AM full extension runner with Push to open for bottom installation
- ▶ Load capacity 35 kg

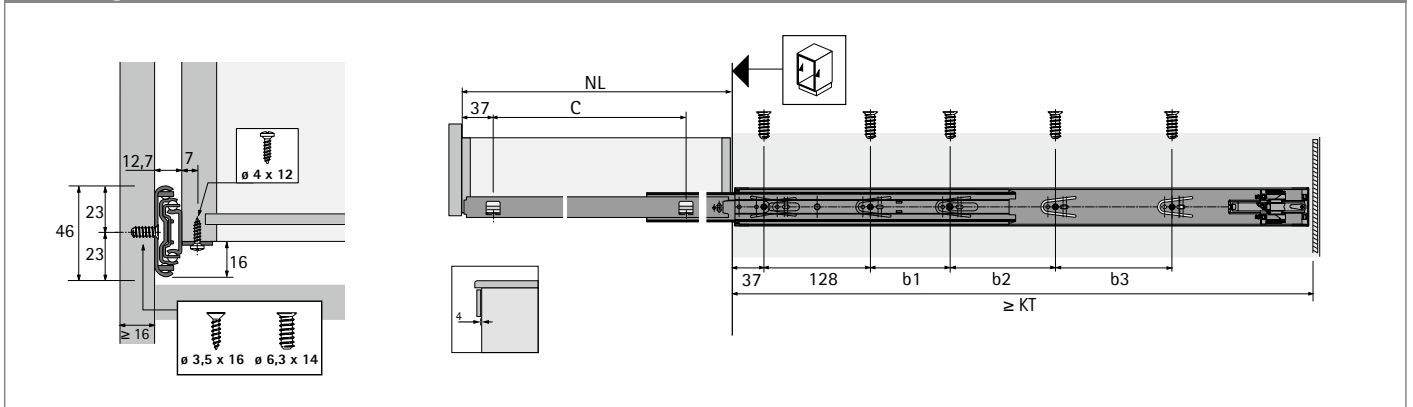


- ▶ **Push to open** - the precision activating mechanism opens the drawer automatically and in virtual silence - a light press is all it takes!
- ▶ A release lever makes the drawer easy to remove and reinstall
- ▶ Precision control for moving smoothly and freely
- ▶ High side stability
- ▶ Galvanised steel

KA 4532 BM ball bearing runner Push to open, 12.7 mm installation width

Nominal length / drawer length NL mm	Minimum carcase depth KT mm	Hole spacing b1 mm	Hole spacing b2 mm	Hole spacing b3 mm	Hole spacing C mm	Order no.	PU
300	304				192	9 114 562	1/10 pairs
350	354	64			242	9 114 580	1/10 pairs
400	404	96			292	9 114 581	1/10 pairs
450	454	160			342	9 114 582	1/10 pairs
500	504	96	96		392	9 114 583	1/10 pairs
550	554	96	128		442	9 114 584	1/10 pairs
600	604	96	128	96	492	9 114 585	1/10 pairs
650	654	96	128	128	542	9 114 586	1/10 pairs

Planning dimensions



Drawer runners for wooden drawers

- ▶ KA 4932 over extension runner for side installation
- ▶ Load capacity 60 kg

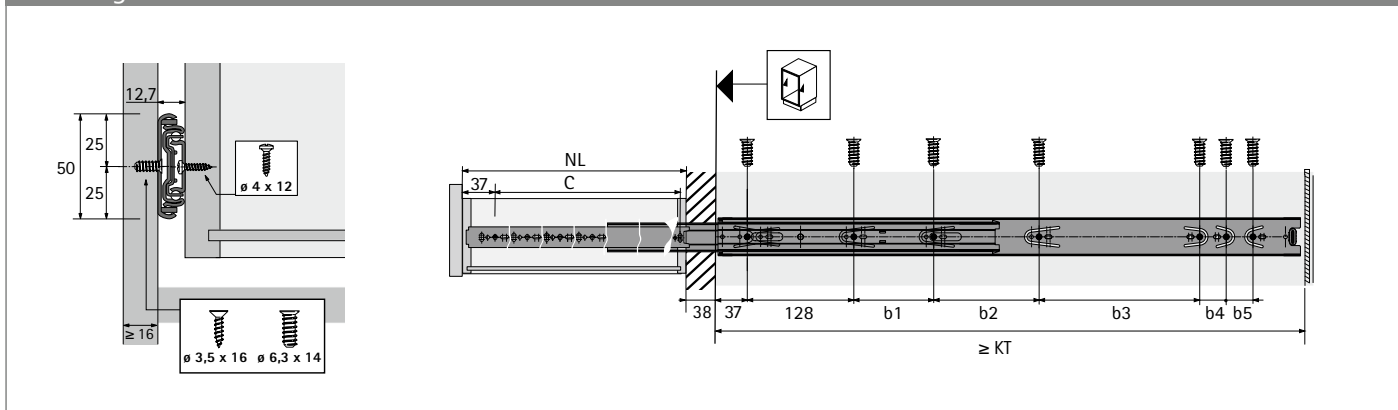


- ▶ Over extension runner with pull-out stop and roll-out prevention
- ▶ A release lever makes the drawer easy to remove and reinstall
- ▶ Precision control for moving smoothly and freely
- ▶ High side stability
- ▶ Galvanised steel

KA 4932 ball bearing runner, 12.7 mm installation width

Nominal length / drawer length NL mm	Minimum carcass depth KT mm	Hole spacing b1 mm	Hole spacing b2 mm	Hole spacing b3 mm	Hole spacing b4 mm	Hole spacing b5 mm	Hole spacing C mm	Order no.	PU
350	354	96					292	0 041 358	1 pair
400	404	96	96				342	0 041 359	1 pair
450	454	96	128				392	0 041 361	1 pair
500	504	96	128	64			442	0 041 362	1 pair
550	554	96	128	64	32	32	492	0 041 363	1 pair
600	604	96	128	96	32	32	542	0 041 364	1 pair
650	654	96	128	160	32	32	592	0 041 365	1 pair

Planning dimensions



Drawer runners for wooden drawers

- ▶ KA 4620 over extension runner for side installation
- ▶ Load capacity 90 kg

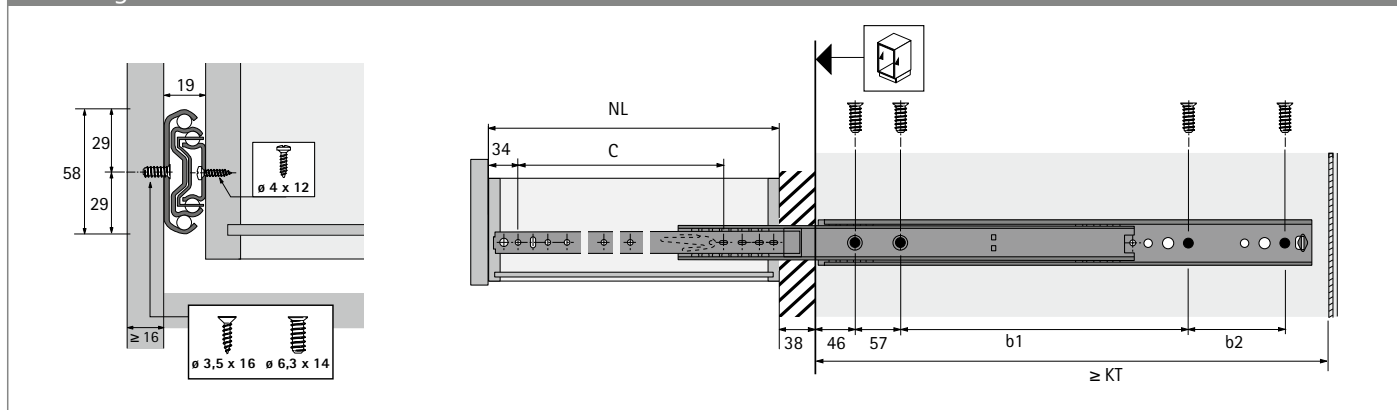


- ▶ Over extension runner with pull-out stop and roll-out prevention
- ▶ A release lever makes the drawer easy to remove and reinstall
- ▶ Precision control for moving smoothly and freely
- ▶ High side stability
- ▶ Galvanised steel

KA 4620 ball bearing runner, 19 mm installation width

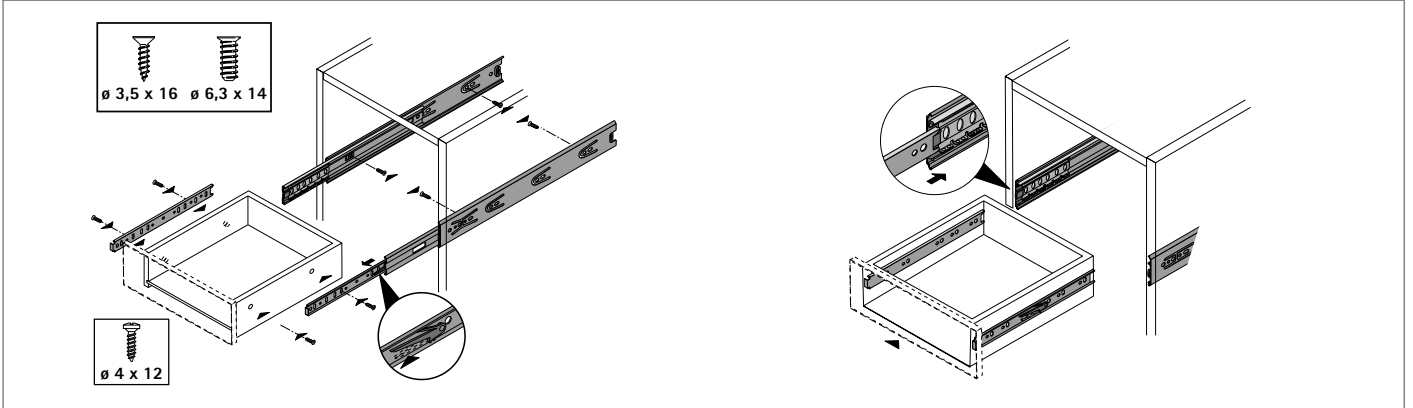
Nominal length / drawer length NL mm	Minimum carcass depth KT mm	Hole spacing b1 mm	Hole spacing b2 mm	Hole spacing C mm	Order no.	PU
450	454	136	139	383,5	0 041 393	1 pair
500	504	161	164	433,5	0 041 394	1 pair
550	554	186	189	483,5	0 041 395	1 pair
600	604	211	214	533,5	0 041 396	1 pair
650	654	236	239	583,5	0 041 397	1 pair
700	704	261	264	633,5	0 041 398	1 pair

Planning dimensions

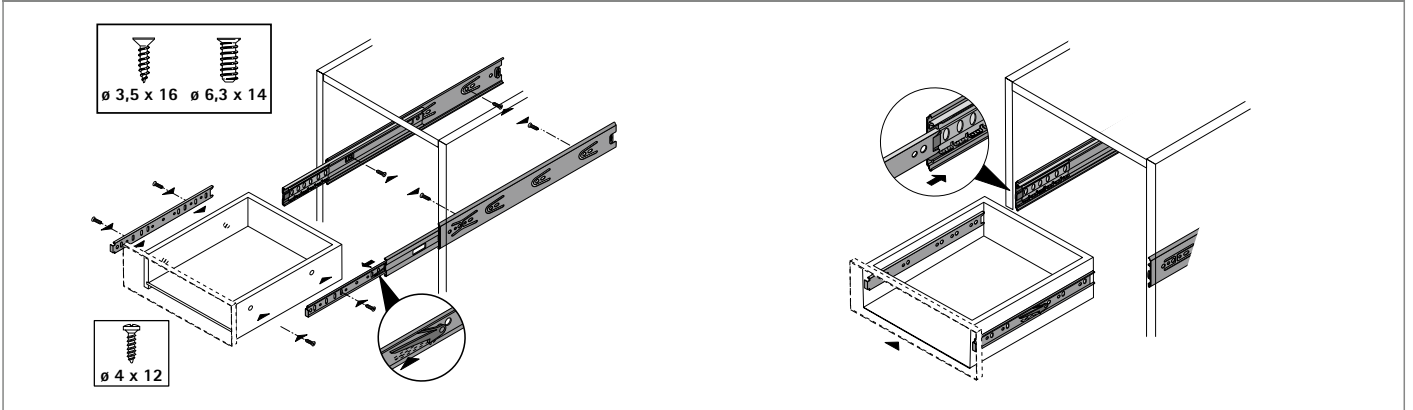


- ▶ KA ball bearing runner
- ▶ Technical information

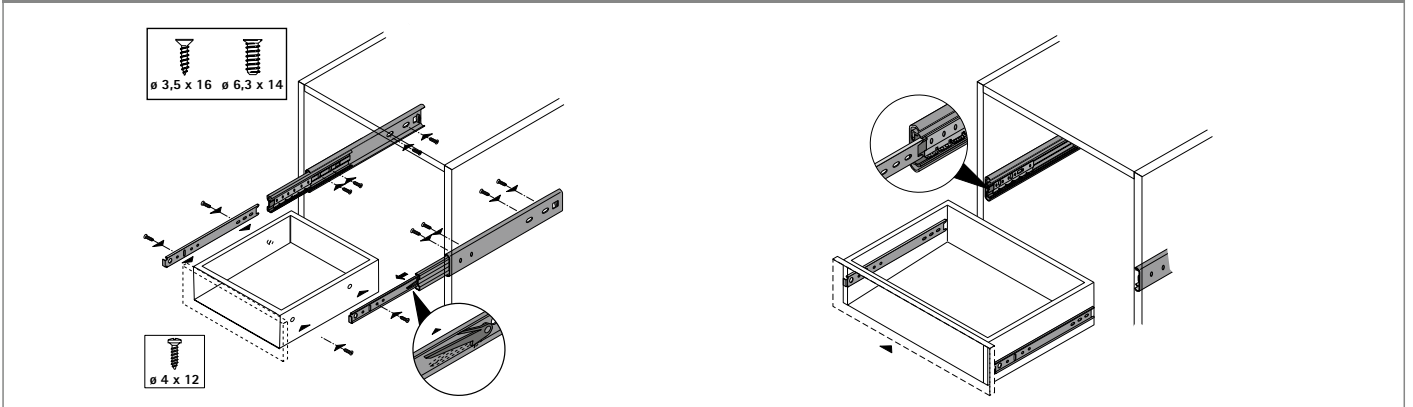
KA 4532



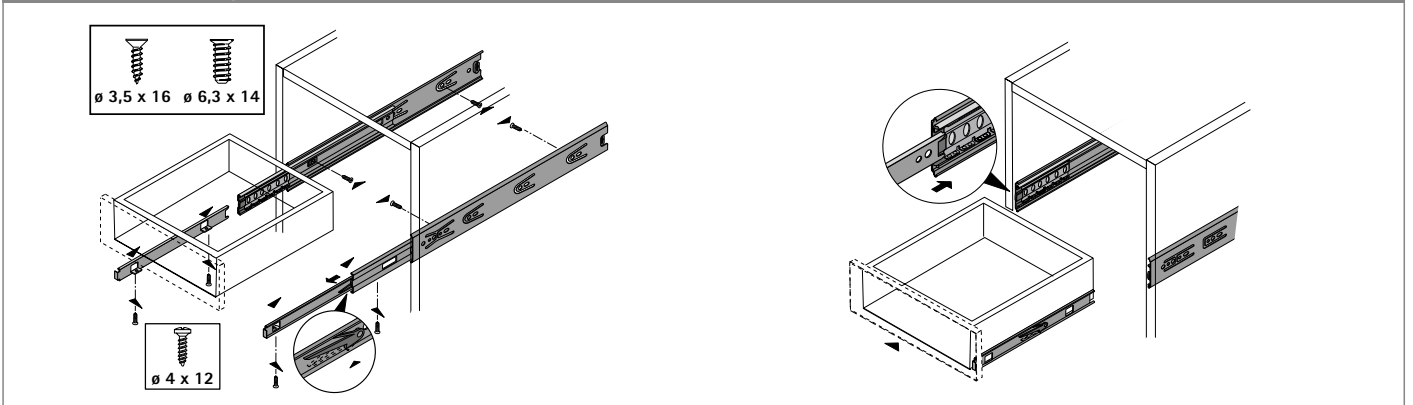
KA 5632 SC, 5632, 4932



KA 4620



KA 4532 Silent System BM

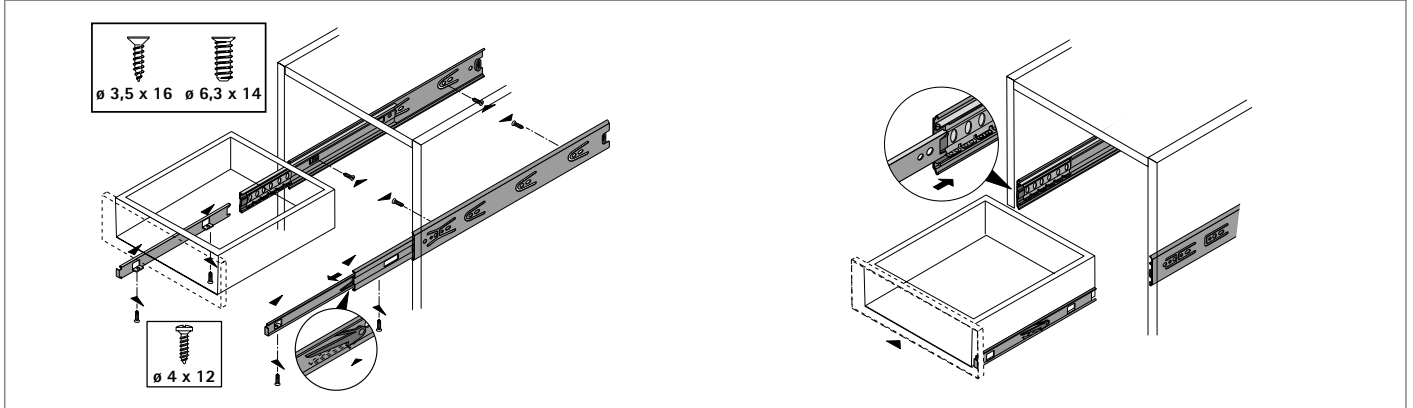


Drawer runners for wooden drawers



- ▶ KA ball bearing runner
- ▶ Technical information

KA 4932 BM



Drawer runners for wooden drawers

► FR roller runners



Noticeable convenience opening and closing drawers: roller runners with integrated self closing function and roll-out prevention. A further benefit: the drawers are easy to remove, e.g. for thorough cleaning or for quickly taking

their contents somewhere else. The system is simple and secure, sturdy and durable, open to tolerances and production-friendly.



Partial extension runner:
load capacity of up to 30 kg.
Suitable for many applications.



Over extension runner:
with a load capacity up to 50 kg.
Unobstructed view of everything
inside.

- ▶ FR roller runners
- ▶ Summary



Roller runners
Range summary / technical comparison 72



Roller runners with Stop Control / partial extension runners 73 - 74






Roller runner with Stop Control / over extension runner 75



Technical Information 76

- ▶ FR roller runners
- ▶ Range summary / technical comparison

	FR 402	FR 602	FR 6142
			
Page	73	74	75
Description	Partial extension runner	Partial extension runner	Over extension runner
Load capacity	25 kg	30 kg	50 kg
Drawer lengths	300 - 550 mm	250 - 800 mm	400 - 600 mm

Drawer runners for wooden drawers

- ▶ FR 402 partial extension runner with Stop Control
- ▶ Load capacity 25 kg

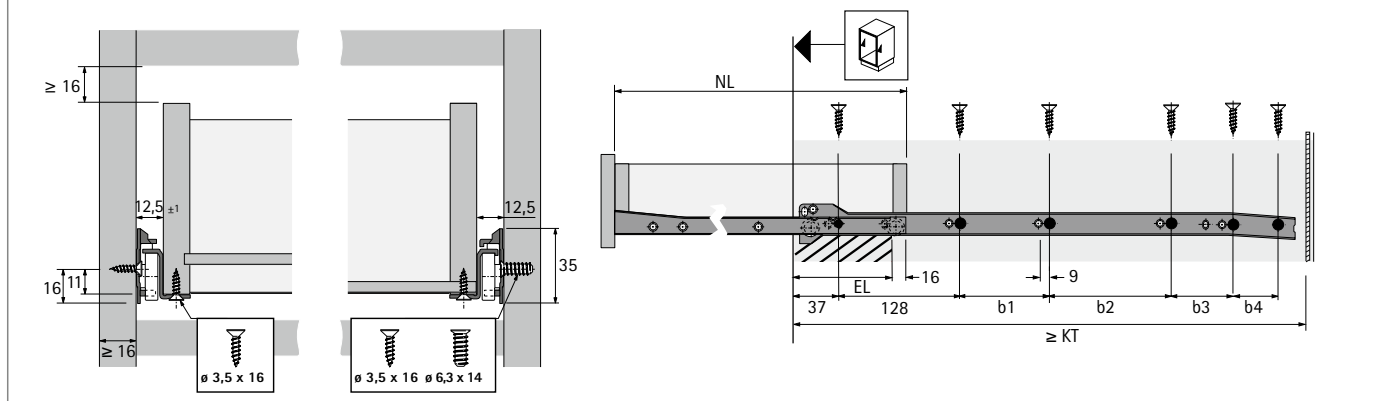


- ▶ **Stop Control** - integrated self closing mechanism for automatic closure
- ▶ With double stop and roll-out prevention
- ▶ With captive guide rail on one side
- ▶ Automatic tolerance compensation ± 1 mm
- ▶ powder coated steel, white

FR 402 roller runner

Nominal length / drawer length NL mm	Minimum carcase depth KT mm	Extension loss EL mm	Hole spacing b1 mm	Hole spacing b2 mm	Hole spacing b3 mm	Hole spacing b4 mm	Order no.	PU
300	303	69	96				1 058 344	20 sets
350	353	69	96	64			1 058 345	20 sets
400	403	69	96	128			1 058 346	20 sets
450	453	79	96	128	32		1 058 347	20 sets
500	503	86	96	128	64	32	1 058 348	20 sets
550	553	94	96	128	128		1 058 349	20 sets

Planning dimensions



Drawer runners for wooden drawers

- ▶ Partial extension runner FR 602 with Stop Control
- ▶ Load capacity 30 kg

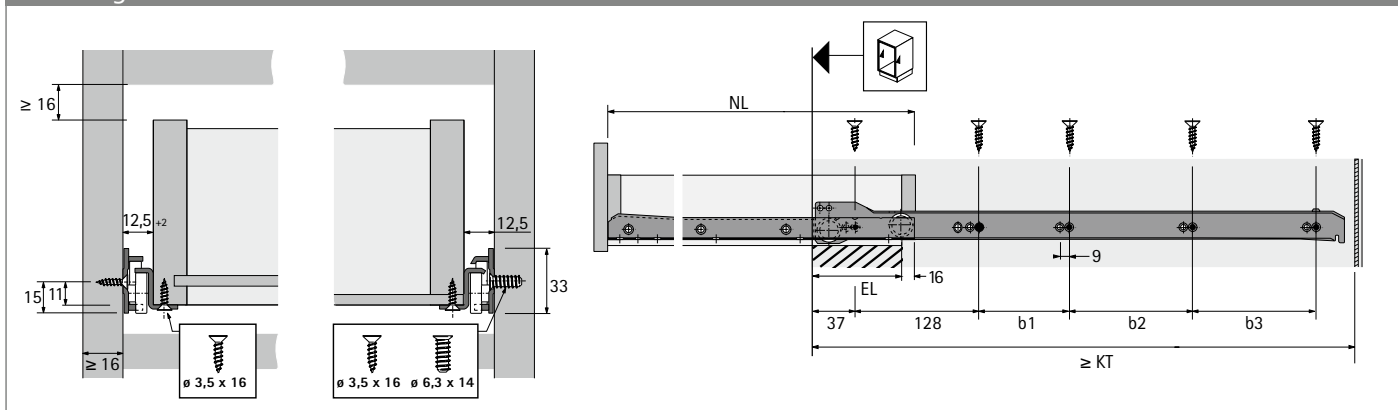


- ▶ **Stop Control** - integrated self closing mechanism for automatic closure
- ▶ With double stop and roll-out prevention
- ▶ With captive guide rail on one side
- ▶ Automatic tolerance compensation + 2 mm
- ▶ powder coated steel, white

FR 602 roller runner

Nominal length / drawer length NL mm	Minimum carcass depth KT mm	Extension loss EL mm	Hole spacing b1 mm	Hole spacing b2 mm	Hole spacing b3 mm	Order no.	PU
250	253	74				0 041 657	1/20 pair
300	303	74	96			0 041 659	1/20 pair
350	353	74	96	64		0 041 661	1/20 pair
400	403	74	96	96		0 041 663	1/20 pair
450	453	87	96	128		0 041 665	1/20 pair
500	503	87	96	128	96	0 041 667	1/20 pair
550	553	102	96	128	128	0 041 669	1/20 pair
600	603	102	96	128	128	0 041 671	1/20 pair
650	653	112	224	224	-	0 041 673	1/10 pair
700	703	122	224	256	-	0 041 675	1/10 pair
750	753	137	224	256	-	0 041 677	1/10 pair
800	803	137	224	256	128	0 041 679	1/10 pair

Planning dimensions



Drawer runners for wooden drawers

- ▶ FR 6142 over extension runner with Stop Control
- ▶ Load capacity 50 kg

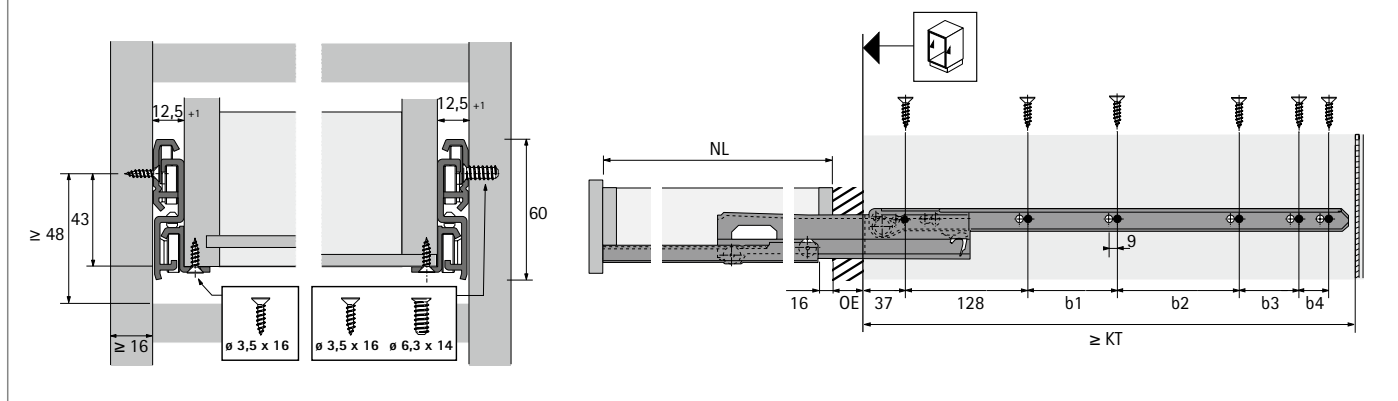


- ▶ **Stop Control** - integrated self closing mechanism for automatic closure
- ▶ With captive guide rails on both side
- ▶ With lift off guard and lockable centre runner
- ▶ Automatic tolerance compensation + 2 mm
- ▶ powder coated steel, white

FR 6142 roller runner

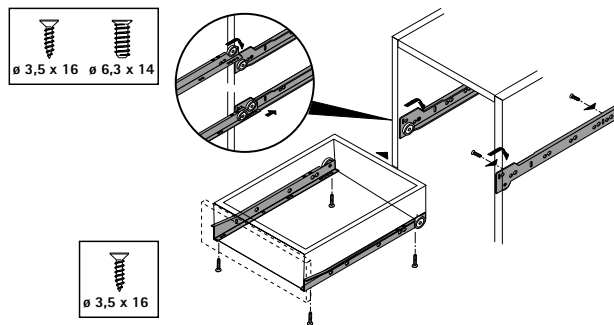
Nominal length / drawer length NL mm	Minimum carcass depth KT mm	Over extension runner OE mm	Hole spacing b1 mm	Hole spacing b2 mm	Hole spacing b3 mm	Hole spacing b4 mm	Order no.	PU
400	405 mm	30	96	96			0 086 774	1/10 pair
450	455 mm	30	96	128			0 086 776	1/10 pair
500	505 mm	30	96	128	64	32	0 086 778	1/10 pair
550	555 mm	30	96	128	128		0 086 781	1/10 pair
600	605 mm	30	96	128	128		0 086 783	1/10 pair

Planning dimensions

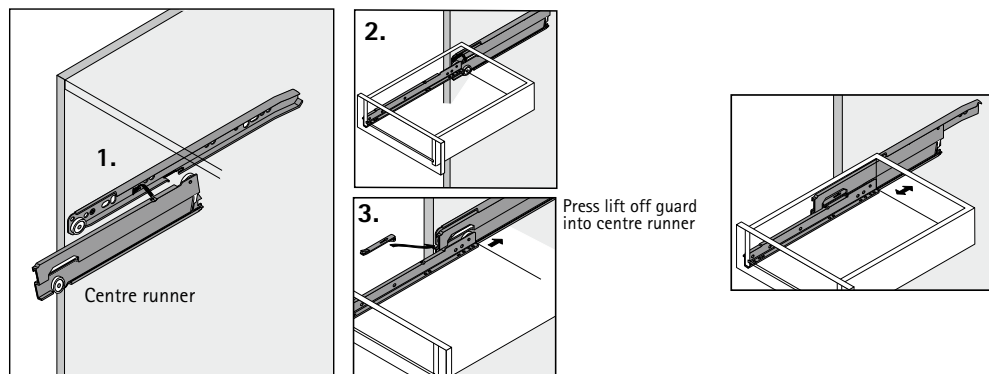


- ▶ FR roller runners
- ▶ Technical Information

FR 402, 602



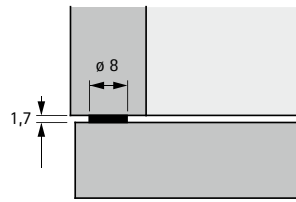
FR 6142



Drawer runners for wooden drawers

► Accessories

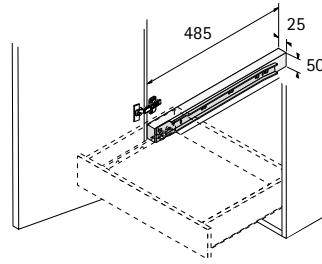
Door damper for sticking on



- Self adhesive
- Plastic, transparent

Order no.	PU
0 072 120	50 ea.

Spacer profile



- Suitable for Actro 5D and Quadro drawer runners as well as FR roller runners
- For bridging the hinge protrusion when using internal pull-outs
- To span greater spaces, several profiles can be installed on top of one another
- The spacer profiles can also be used for tolerance compensation
- Plastic, white
- Load capacity 60 kg max.

Width x depth x height mm	Order no.	PU
25 x 484 x 49	0 013 952	1 ea.

Cutlery trays for drawers with timber backs



Cabinet overall size 16 mm side panels mm	Drawer length mm	Cutlery insert depth x width mm	Style	Order no.	PU
400	500	481 x 335	Standard	0 048 751	20 ea.
450	500	481 x 385	Diagonal	0 048 752	20 ea.
600	500	481 x 535	Standard	0 048 754	20 ea.

Cutlery trays cut to size to suit individual drawer depth / width



Depth x width mm	Can be trimmed to mm	Order no.	PU
434 x 434	315 x 315	0 048 769	25 ea.
490 x 434	324 x 363	0 048 230	25 ea.



Locking systems

► Summary



SafeFix child safeguard

80



Cylinder locks Economy

81



Exanchangeable F18 barrels for Economy cylinder locks

82



Front panel locking set Economy

83

Children's safety

▶ SafeFix child safeguard



- ▶ Child safeguard for added safety in the home
- ▶ Prevents direct access
- ▶ Suitable for use as left-hand, right-hand or drawer lock
- ▶ Plastic, white

Please note:

SafeFix contains very powerful magnets. For this reason, please keep credit cards, etc. well away from SafeFix.

SafeFix child safeguard

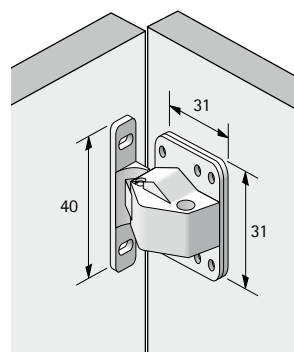
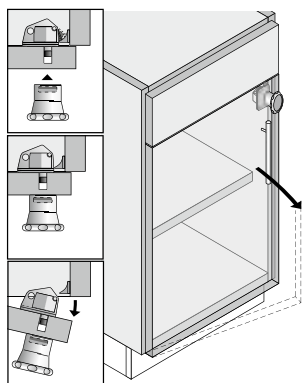


Set comprises:

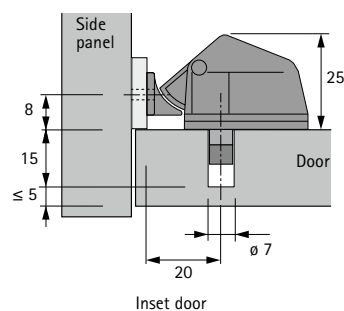
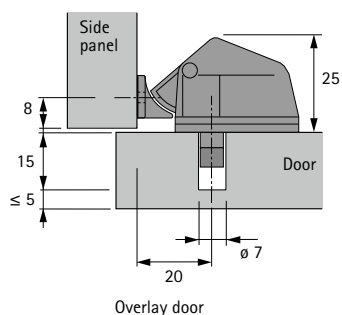
- ▶ 1 magnetic knob
- ▶ 1 stop bracket
- ▶ 1 lock

Description	Order no.	PU
1 stop bracket + 1 lock	0 070 670	10 sets
1 magnetic knob	0 070 671	1 ea.

Installation notes

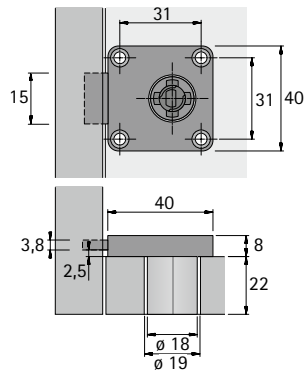


Planning dimensions



Cylinder lock Economy

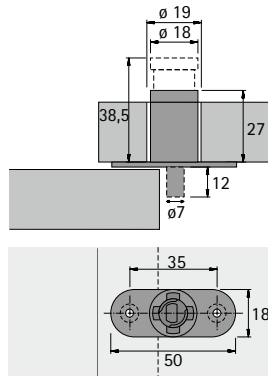
Cylinder drawer lock Economy



- ▶ For exchangeable F18 barrels
- ▶ Barrels F18 not included, to be ordered separately see page 52
- ▶ Complete with resette
- ▶ Nickel plated

Order no.	PU
0 048 976	25 ea.

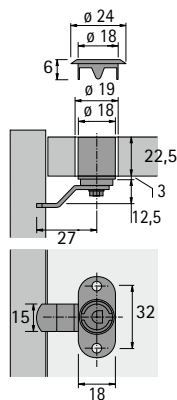
Cylinder push lock Economy



- ▶ For exchangeable F18 barrels
- ▶ Barrels F18 not included, to be ordered separately see page 52
- ▶ Complete with resette
- ▶ Nickel plated

Order no.	PU
0 048 977	25 ea.

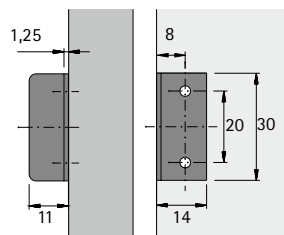
Cylinder cam lock Economy



- ▶ For exchangeable F18 barrels
- ▶ Barrels F18 not included, to be ordered separately see page 52
- ▶ Complete with resette
- ▶ Nickel plated

Order no.	PU
0 048 978	25 ea.

Striker plate, type 3011



- ▶ Steel, nickel plated

Order no.	PU
0 030 125	1/100 ea.

Exchangeable F18 barrels for Economy cylinder locks



- ▶ Lock System 8000, master key capability, nickel plated
- ▶ With 2 double-profile keys, nickel plated
- ▶ Complete with resette
- ▶ Nickel plated

Article	Order no.	PU
Selected key operations from: 8110 - 8200, keyed to differ	0 048 980	25 ea.

Keyed alike	Order no.	PU
8110	0 048 981	25 ea.
8120	0 048 982	25 ea.
8130	0 048 983	25 ea.
8140	0 048 984	25 ea.
8150	0 048 985	25 ea.
8160	0 048 986	25 ea.
8170	0 048 987	25 ea.
8180	0 048 988	25 ea.
8190	0 048 989	25 ea.
8200	0 048 990	25 ea.

F18 master key for lock system 8000



- ▶ Nickel plated

Order no.	PU
0 048 992	1 ea.

Removal key for F18 barrels



- ▶ Nickel plated

Order no.	PU
0 048 994	1 ea.

Front panel locking set Economy

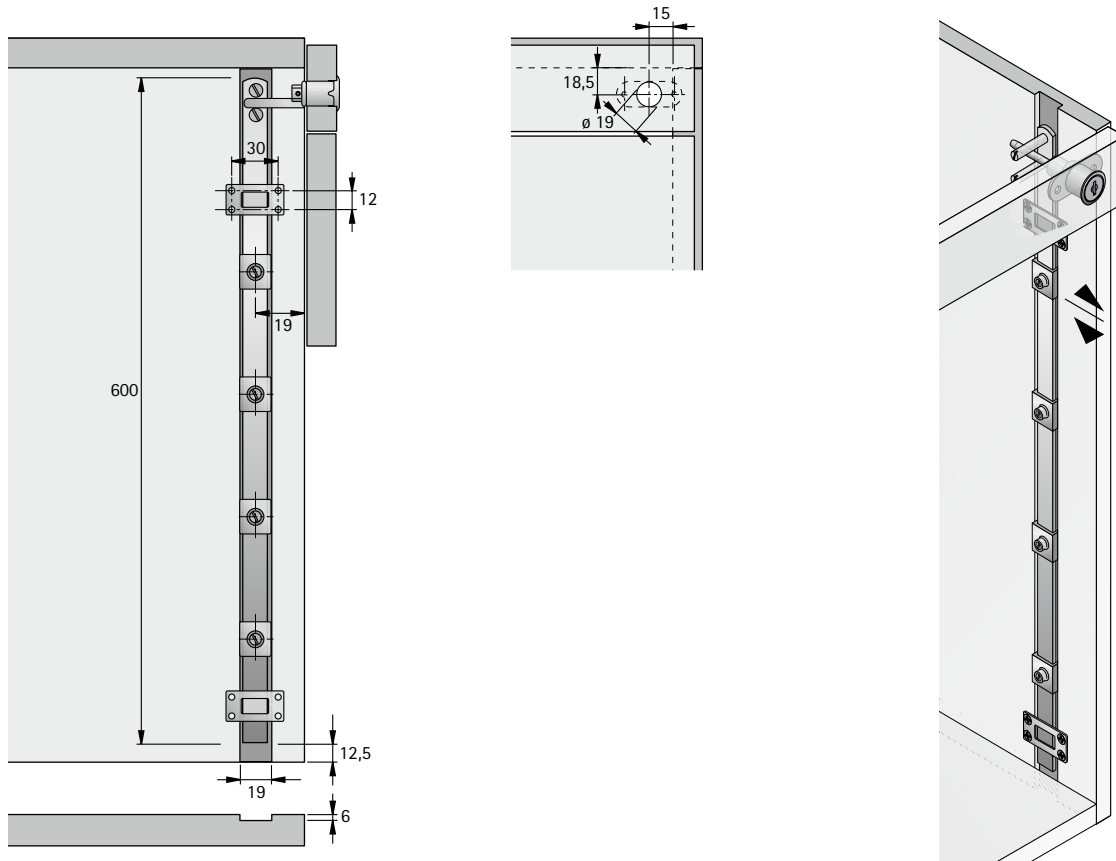
Front panel locking set Economy



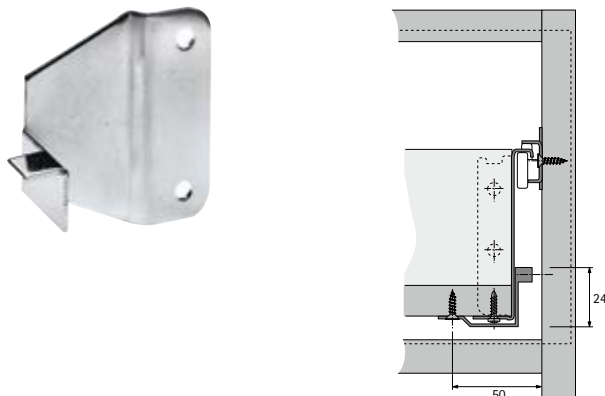
- Set contains:
- ▶ 1 cylinder lever lock for exancheable F18 barrels
 - ▶ 1 rosette
 - ▶ 1 locking bar 600 mm
 - ▶ 4 adjustable pins with grub-screw
 - ▶ 2 bar guides

Order no.	PU
0 040 145	1 set

Planning dimensions



Lock activator








Order no.	PU
0 047 262	1 ea.



Connecting technology

► Summary of ranges

<p>Connecting fittings for carcasses Summary</p>	<p>86 - 95</p> 
<p>Shelf supports / rails and brackets / cover caps</p>	<p>96 - 99</p> 
<p>Height adjustable legs</p>	<p>100 - 101</p> 
<p>Cabinet suspension brackets</p>	<p>102 - 103</p> 
<p>Screws</p>	<p>104</p> 



Hettich keeps a firm hold. What fittings from Hettich join together just doesn't come apart. Hettich also supplies reliable and easy to use solutions for more difficult connections in furniture construction.

Solutions that open up numerous design options using classic or lightweight materials. Convenient on-site assembly. Hettich fittings keep what you promise your customers.



Small components, big performers: Hettich connecting technology is brimming with expertise. For perfect results.



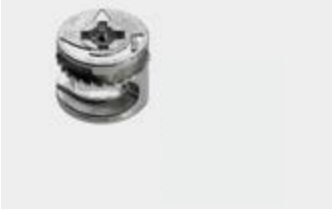





Spherical eccentric cam: For a better hold in the drill hole. The screwdriver can be held at an angle for greater convenience.



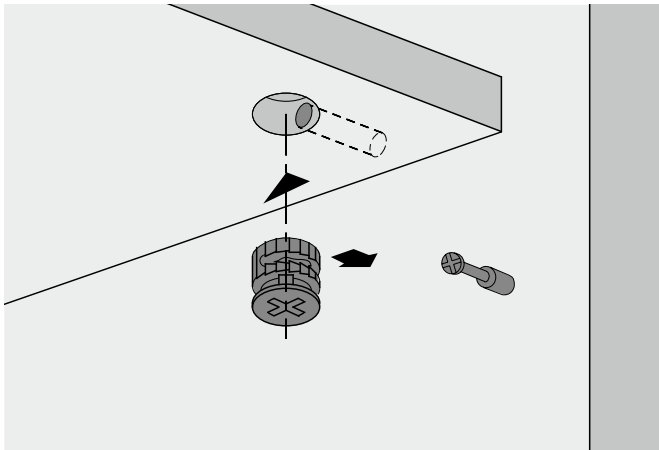
Providing a firm hold: Strong connections between shelves and side panels. High load capacity.

Connecting fittings for carcases

► Summary

	Rastex 15 eccentric cam connecting fittings Can be used in conjunction with fast installation dowels Twister	88
	Eccentric cam connecting fitting with spherical eccentric cams VB 35 M Can be used in conjunction with steel dowels	89 91
	Eccentric cam connecting fitting with spherical eccentric cams VB 36 M Can be used in conjunction with steel dowels	90 91
	TZ 28 block connecting fittings / connecting screws For connecting carcases, also suitable for solid wood	92
	Worktop connectors	93
	Connecting angles / Clip connector	94

- ▶ Rastex 15
- ▶ Rapid S dowel for Rastex 15, Twister dowel for Rastex 15



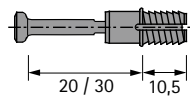
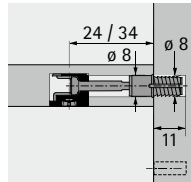
- ▶ With torque support – allows furniture side panels to be pulled into place from space up to 4 mm from the panel end
- ▶ Twice as secure thanks to interior and exterior indentations – the dowel is always pulled in to the centred position, ruling out any displacement of furniture components!
- ▶ Eccentric cam can be tightened with flat-blade screwdriver, Pozidrive screwdriver PZ 3 or Allen key AF 4
- ▶ Zinc die-cast

Rastex 15



Finish	Order no. / panel thickness mm		PU
	15	18	
bright	0 079 462	0 013 962	1/2000 ea.

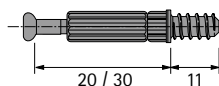
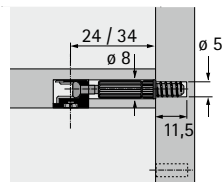
Rapid S fast installation dowel DU 324 / DU 325



- ▶ Expanding socket for 8 mm drilling diameter
- ▶ Dowel length 20 mm / 30 mm
- ▶ Steel, galvanised / blue plastic

Article version	Dowel length mm	Order no.	PU
Rapid S DU 324	20	9 046 180	2000 ea.
Rapid S DU 325	30	9 046 182	2000 ea.

Twister screw in dowel DU 243 T / DU 232 T

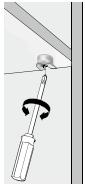


- ▶ With direct fixing thread for drilling diameter of 5 mm
- ▶ Dowel length 20 / 30 mm
- ▶ Steel / green or black plastic

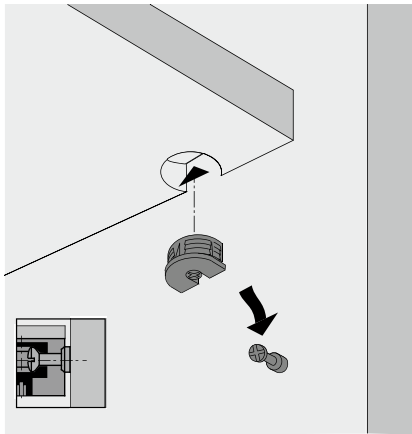
Article version	Dowel length mm	Order no.	PU
Twister DU 243 T, galvanised	20	9 047 863	1/2000 ea.
Twister DU 232 T, galvanised	30	9 047 861	1/2000 ea.

► VB 35 M

Insert shelf from above. Installation aid for hooking in the shelves



$\sphericalangle \sim 5^\circ$

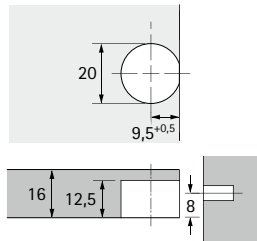


- Small connecting fittings for sturdy, positive fitting and friction locked connections between shelves and side panels using the tried and proven eccentric cam latching principle
- The fitting is pressed into the cropped 20 mm diameter drilling
- The fitting has a spherical eccentric cam
- Zinc die-cast / plastic

VB 35 M / 16 for 16 mm shelves



Drilling pattern for shelves



Dowel centre from underside of shelf

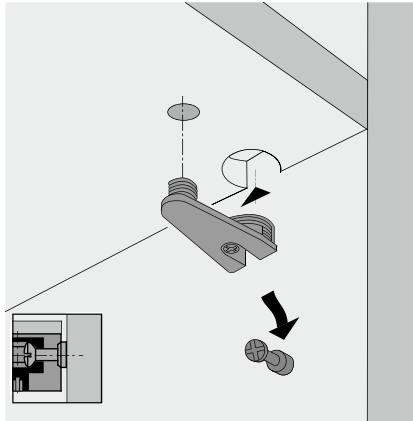
Finish / colour	Order no.	PU
nickel plated	0 065 501	1/200 ea.
white	9 064 890	1/1000 ea.
brown	9 066 718	1/1000 ea.

- ▶ VB 36 M
- ▶ With rib

Insert shelf from above. Installation aid for hooking in the shelves



⤵ ~ 5°

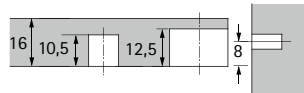
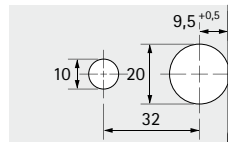


- ▶ Small connecting fittings for sturdy, positive fitting and friction locked connections between shelves and side panels using the tried and proven eccentric cam latching principle
- ▶ The fitting is pressed into a double hole drilled 32 mm apart. Insertion holes in a diameter of 20 and 10 mm
- ▶ The fitting has a spherical eccentric cam
- ▶ Zinc die-cast / plastic

VB 36 M / 16 for 16 mm shelves



Drilling pattern for shelves



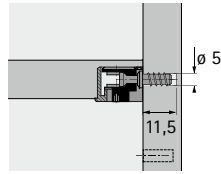
Dowel centre from underside of shelf

Finish / colour	Order no.	PU
nickel plated	0 065 517	1/200 ea.
white	9 116 498	1/1000 ea.

Screw in dowel

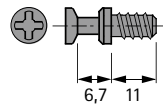
- ▶ VB 35, 36 M
- ▶ Dowels for VB 35, 36 M

Screw in dowel DU 321

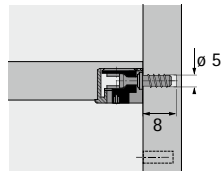


- ▶ With direct fixing thread for drilling diameter of 5 mm
- ▶ Dowel length 6.7 mm
- ▶ Steel, galvanised

Order no.	PU
9 021 847	1/5000 ea.

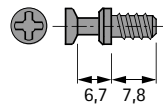


Screw in dowel DU 322

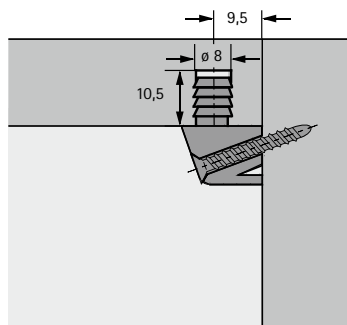


- ▶ With direct fixing thread for drilling diameter of 5 mm
- ▶ Dowel length 6.7 mm
- ▶ Steel, galvanised

Order no.	PU
9 022 370	1/5000 ea.



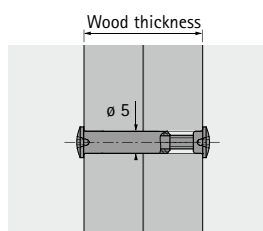
TZ 28



- For pressing in
- Socket length 10 mm
- Attached by \varnothing 4 mm countersunk screw, with the capability of holding screwdriver at an angle
- Plastic, white

Order no.	PU
0 072 053	1/100 ea.

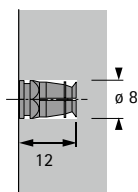
Connecting screw VHS 32



- Unobtrusive carcass connectors for a particularly firm hold
- For drilling diameter of 5 mm
- The connecting sleeves are 27 or 35 mm long
- The threaded sleeve is set back, making it easier to screw the connecting screw in
- Screw M4 x 15 mm / connecting sleeve: nickel plated steel

Article version	Panel thickness mm	Order no.	PU
VHS 32 / 35	28 - 36	1 054 519	1/1000 ea.

Expanding socket



- For M6 thread
- Drilling diameter 8 mm
- With nylon ball, length 12 mm
- Suitable for use with Rastex 15 and VB 35 / 36
- Brass, bright

Article version	Length mm	Order no.	PU
with nylon ball	12	1 028 024	1/2000 ea.

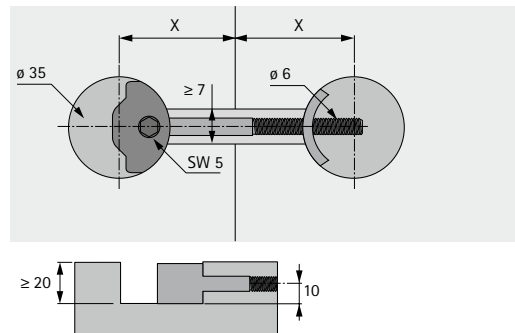
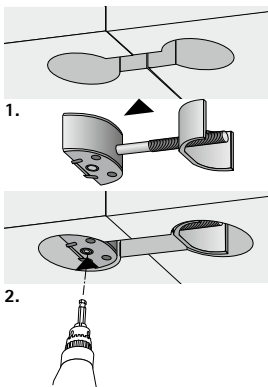
▶ AVB 4, AVB 5

AVB 4



- ▶ For sturdy, positive fitting and friction locked connections between worktops
- ▶ Quick and convenient bracing using a cordless screwdriver or hexagon socket spanner size 5 AF
- ▶ Drilling depth at least 20 mm
- ▶ Housing hole diameter 35 mm
- ▶ Housing: zinc die-cast
- ▶ Bolt / counterplate: steel, galvanised

Dimension X mm	Length mm	Order no.	PU
33 - 44	81	9 079 575	1/50 ea.
73 - 86	165	9 079 583	1/50 ea.

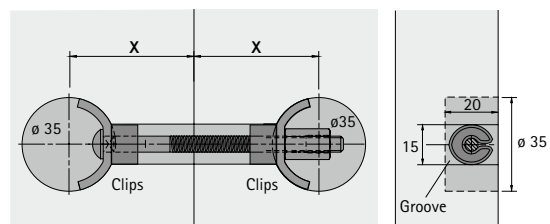
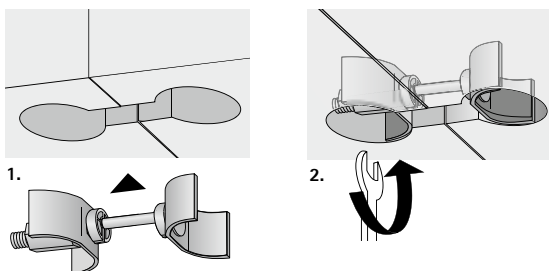


AVB 5



- ▶ For sturdy, positive fitting and friction locked worktop connections
- ▶ With two curved clamping plates
- ▶ Two premounted clips ensure easy installation: They hold the clamping plates and connectors in position or groove, permitting easy insertion into drilling or routed recess – while leaving both hands free for bracing
- ▶ Housing hole diameter 35 mm
- ▶ Drilling depth at least 20 mm
- ▶ Steel, galvanised

Dimension X mm	Length mm	Order no.	PU
30 - 37	65	0 025 084	1/50 ea.
73 - 80	150	0 016 048	1/50 ea.



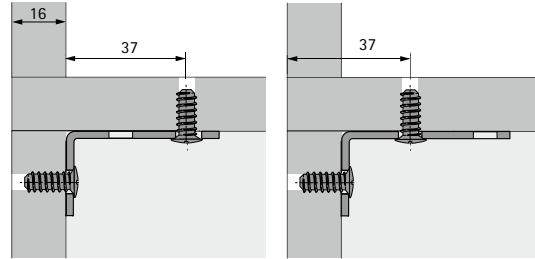
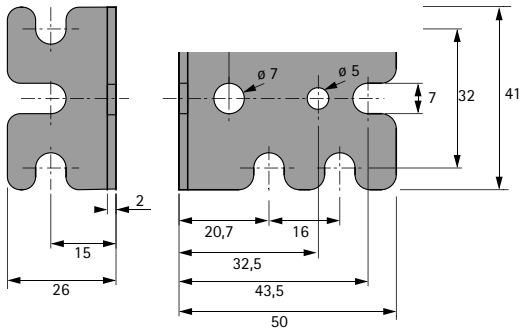
► Euro angle, universal angle

Euro angle for 32 mm hole line

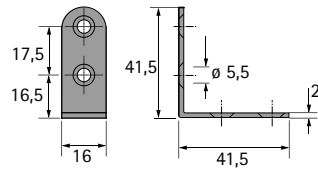


- Can be used as a multi-purpose connecting fitting for carcasses, shelves, rear panels and drawer fronts
- Direct fixing screws, \varnothing 6.3 mm
- Steel galvanised

Order no.	PU
0 024 832	1/200 ea.



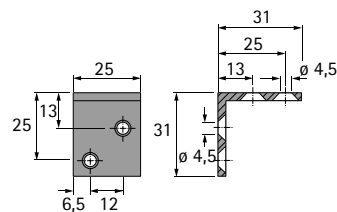
Universal angle 41.5 x 41.5 mm



- Steel, galvanised

Order no.	PU
0 025 197	1/100 ea.

Universal angle 31 x 31 mm



- Steel, galvanised

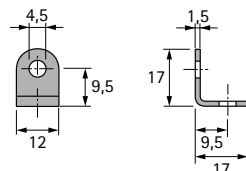
Order no.	PU
0 079 665	1/100 ea.

Universal angle 17 x 17 mm



- Steel, zinc-plated

Order no.	PU
0 048 700	100 ea.

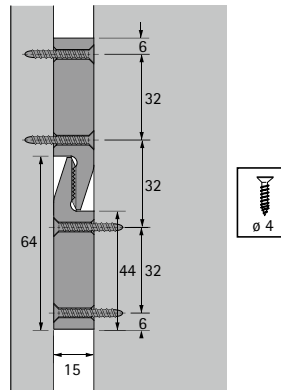
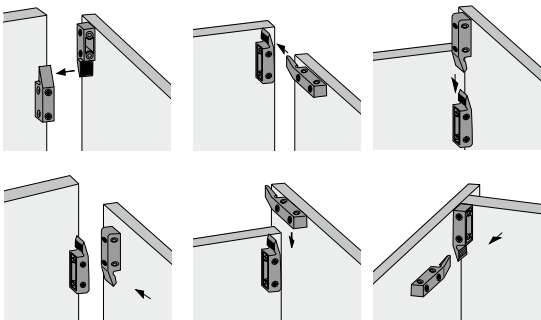


MultiClip

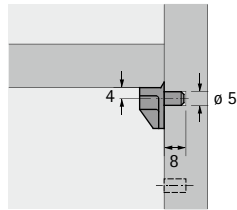


- ▶ MultiClip can be used in many different applications
- ▶ For wall panelling, room dividers, cladding pillars, ceiling panelling, fascias and cladding of all types
- ▶ In all applications, the fitting can be screw mounted either parallel or at right angles to the fascia or cladding component
- ▶ If it is necessary to slide the clip connectors on from the front, one of the fittings is screw mounted at an angle of 90°
- ▶ Whether for interior fittings, contract work or volume production, this fitting is a cost-saver - always and everywhere
- ▶ Only 1 fitting component for all types of application
- ▶ The clip connector components provide a secure hold with spring loaded flexible clamps and serrated surfaces
- ▶ Variable screw on positions permit to hooking in from above, from the front, from the side as well as flush fitted
- ▶ Compensation for mounting tolerances
- ▶ Clip connectors can be adjusted for perfect alignment
- ▶ Thermoplastic material, black (heat resistant)

Order no.	PU
0 046 080	1/200 ea.



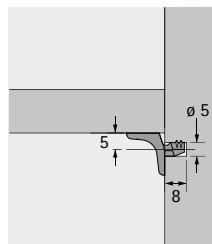
Safety



- ▶ Steel pin with plastic support surface
- ▶ Can be used in System 32
- ▶ Load group L 50 (50 kg/m²)

Drilling diameter mm	Colour	Order no.	PU
5	translucent	0 016 180	1/500 ea.
5	white	0 025 090	1/500 ea.
5	brown	0 025 091	1/500 ea.

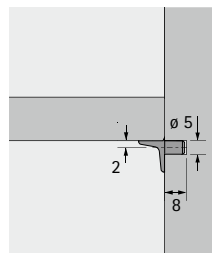
Sekura 2



- ▶ Pin diameter 5 mm
- ▶ Can be used in System 32
- ▶ Load group L 75 (75 kg/m²)
- ▶ Zinc die-cast nickel-plated

Order no.	PU
0 025 100	1/500 ea.

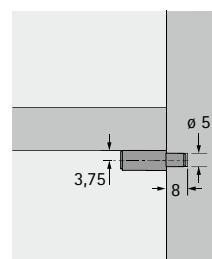
Universal D



- ▶ Pin diameter 5 mm
- ▶ Can be used in System 32
- ▶ Load group L 75 (75 kg/m²)
- ▶ Zinc die-cast nickel-plated

Order no.	PU
0 022 737	1/500 ea.

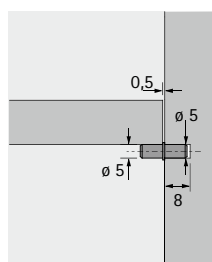
Push in shelf supports with shoulder



- ▶ Pin diameter 5 mm
- ▶ Can be used in System 32
- ▶ Load group L 50 (50 kg/m²)
- ▶ Steel, galvanised

Order no.	PU
0 016 181	1/500 ea.

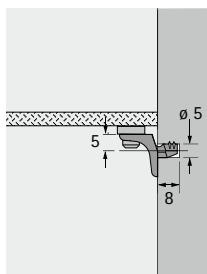
Duplo



- ▶ Pin diameter 5 mm on both sides
- ▶ Can be used in System 32
- ▶ Load group L 50 (50 kg / m²)

Finish	Order no.	PU
Nickel-plated	0 046 642	1/500 ea.
Chrome-plated	0 013 138	1/500 ea.

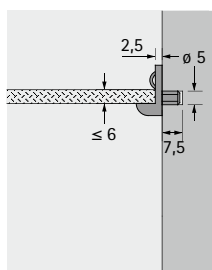
Sekura 8



- ▶ Glass shelf supports
- ▶ Pin diameter 5 mm
- ▶ Can be used in System 32
- ▶ Load group L 75 (75 kg/m²)
- ▶ Zinc die-cast nickel plated / clear plastic

Order no.	PU
0 047 609	1/500 ea.

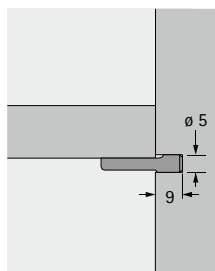
Glass shelf supports in plastic



- ▶ With tilt prevention
- ▶ Pin diameter 5 mm
- ▶ Can be used in System 32
- ▶ Load group L 25 (25 kg/m²)
- ▶ Plastic translucent

Order no.	PU
0 073 615	1/500 ea.

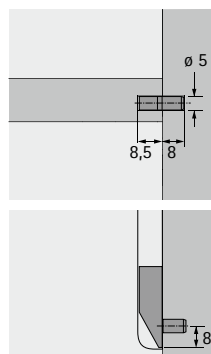
Flattened shelf supports



- ▶ Drilling diameter 5 mm
- ▶ Can be used in System 32
- ▶ Load group L 25 (25 kg/m²)
- ▶ Steel, galvanised

Order no.	PU
0 020 782	1/500 ea.

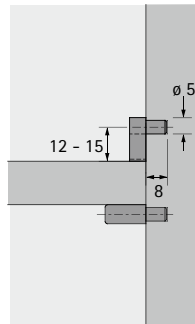
Grooved shelf supports



- ▶ For grooved bottom panels
- ▶ Pin diameter 5 mm
- ▶ Can be used in System 32
- ▶ Load group L 25 (25 kg/m²)
- ▶ Zinc die-cast, bright

Order no.	PU
0 074 805	1/500 ea.

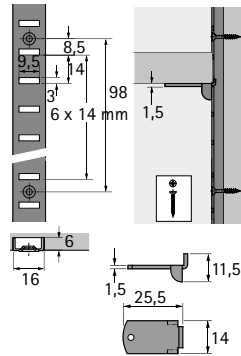
Shelf studs



- ▶ Pin diameter 5 mm
- ▶ Can be used in System 32
- ▶ Plastic translucent

Order no.	PU
0 063 549	1/500 ea.

Vari shelf support rail, steel, 16 x 6 mm



- ▶ Standard length: 3500 mm
- ▶ Load group L 50 (50 kg/m²)
- ▶ Steel

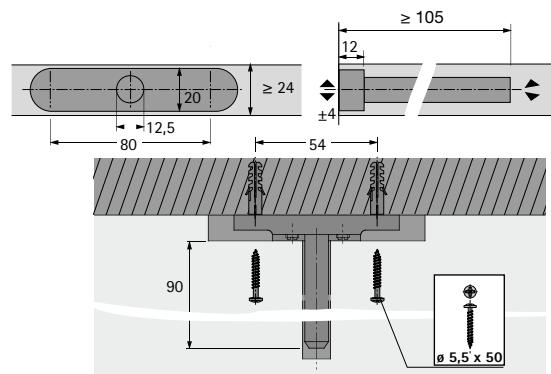
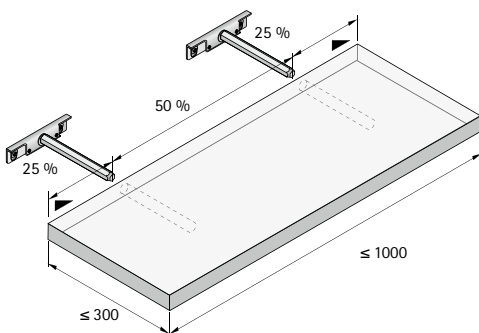
Article version	Finish	Order no.	PU
Shelf support	galvanised	0 013 129	1/250 ea.
Rail	nickel plated	1 076 651	50 ea.

Titan 2



- ▶ Concealed installation behind the shelf
- ▶ Bolt: 12 mm \varnothing
- ▶ Max load capacity with 2 shelf supports including shelf: 9 kg
- ▶ Height adjustment: ± 4 mm
- ▶ Minimum shelf thickness: 24 mm
- ▶ Adjustment of shelf tilt
- ▶ Steel, galvanised

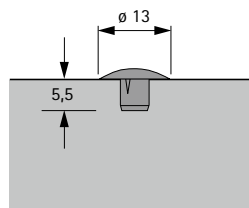
Order no.	PU
0 063 598	1/20 ea.



Cover caps

- ▶ For drilling diameters of 5, 8, 10 mm

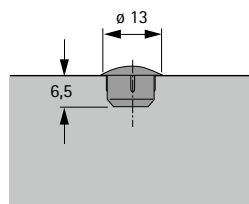
For drilling diameter of 5 mm



- ▶ For drilling diameter of 5 mm
- ▶ Plastic, white

Order no.	PU
0 048 586	1/1000 ea.

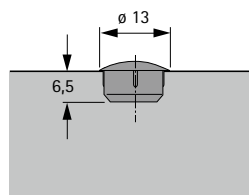
For drilling diameter of 8 mm



- ▶ For drilling diameter of 8 mm
- ▶ Plastic, white

Order no.	PU
0 048 588	1/1000 ea.

For drilling diameter of 10 mm



- ▶ For drilling diameter of 10 mm
- ▶ Plastic, white

Order no.	PU
0 048 590	1/1000 ea.

Height adjustable legs

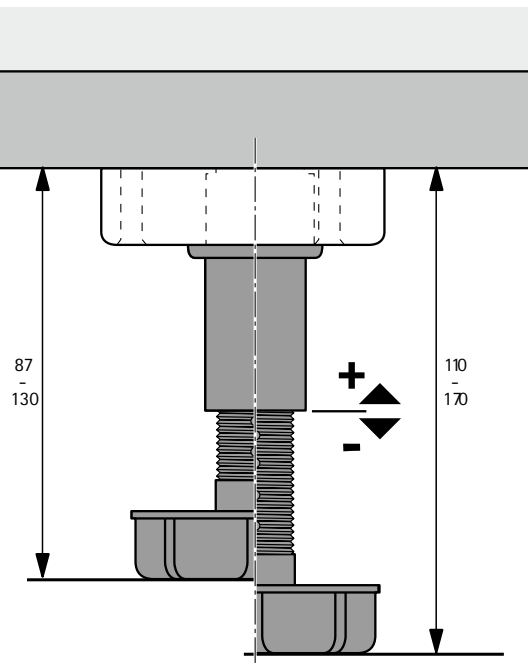
Height adjustable leg pre-set



- ▶ A perfect combination of block, leg and plinth fixing
- ▶ Strong, robust and reliable construction
- ▶ Universal clip available with screw-on and knock-in attachment
- ▶ Robust when moving or mounting the cabinet
- ▶ Express leg revolution "one turn" = 8 mm of adjustment
- ▶ Easy height adjustment either manually or by screwdriver
- ▶ Load bearing capacity 650 kg/each
- ▶ Please order fixing blocks, plinth clips and adapter separately
- ▶ Graphite grey plastic

Article	Adjustment range mm	Order no.	PU
Two in One adjustable leg Pre-set at 150 mm	87 - 180	9 145 735	200 ea.
Pre-set at 150 mm	110 - 170	0 048 100	200 ea.
Pre-set at 87 mm	87 - 130	0 048 140	300 ea.

Planning dimensions



Adapter



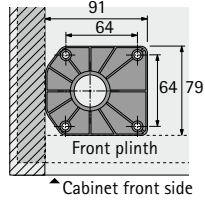
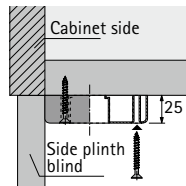
- ▶ Height extension of 50 mm
- ▶ Graphite grey plastic

Order no.	PU
0 048 150	200 ea.

Height adjustable legs

► Fixing blocks and plinth clips

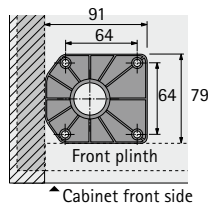
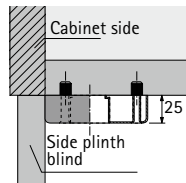
Fixing block, screw-on version



► Graphite grey plastic

Order no.	PU
0 048 110	200 ea.

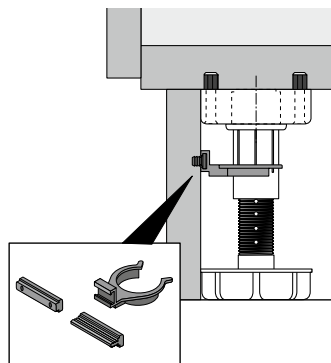
Fixing block with 4 knock-in sockets



► Graphite grey plastic

Order no.	PU
1 161 836	200 ea.

Plinth clip for height adjustable leg



► With screw-on and knock-in attachment
► Black plastic

Order no.	PU
0 048 130	50 ea.

Cabinet suspension brackets

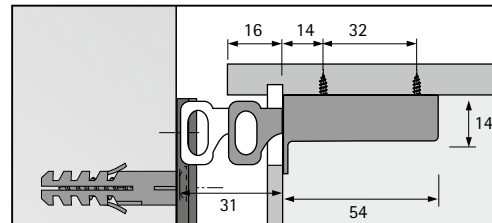
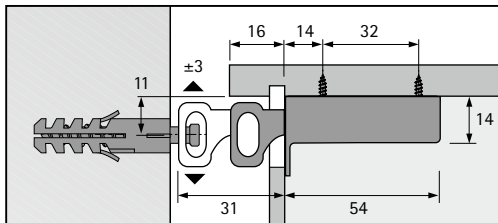
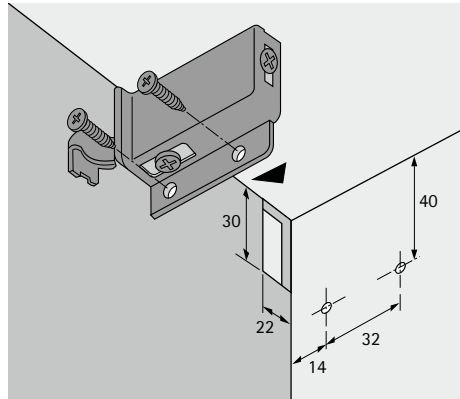
Cabinet suspension bracket SAH 116 S



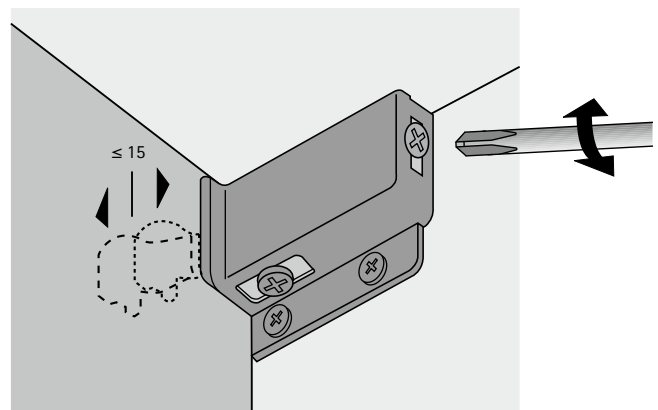
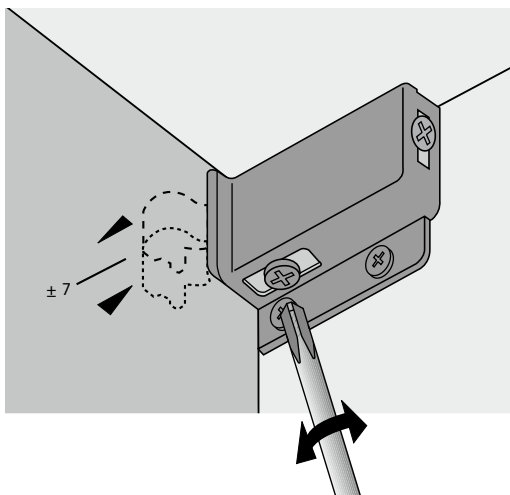
- ▶ Screw-on version
- ▶ Load capacity 65 kg
- ▶ Adjustment possibilities:
Height: + 7 mm / - 7 mm
Depth: 15 mm
Lateral adjustment on suspension rail
- ▶ Rear panel: rear wall set back resp. groove depth min. 16 mm
- ▶ Can be used with suspension rail, see page 73
- ▶ Steel white

Order no.		PU
left	right	
1 019 619	1 019 618	100 ea.

Mounting



Adjustment possibilities



Cabinet suspension brackets

► Suspension rail

Suspension rail type B



- Load-bearing capacity 150 kg/cabinet
- Mounting with 2 special screws dia. 5,5 x 50 mm per cabinet, for total cabinet shelf areas measuring 1 sqm and more, with 4 special screws dia. 5.5 x 50 mm per cabinet
- Zinc-plated steel

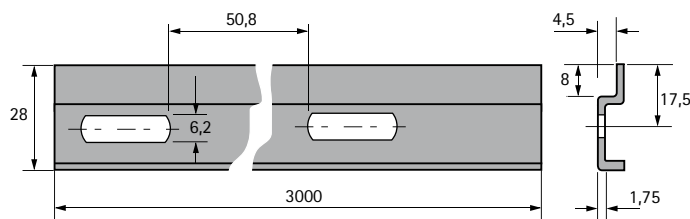
Length mm	Order no.	PU
3000	9 000 169	100 ea.

Suspension rail cover

- White plastic

Length mm	Order no.	PU
3000	0 046 982	25 ea.

Planning dimensions



Information on loading capacity of cabinet suspension brackets and on accessories

The following basic loading principles must be observed when using cabinet suspension brackets and accessories:

- Both the furniture design and the quality of the furniture's material and production are beyond our control.
 - The quality and condition of wall materials are also beyond our control.
 - The suspension hooks we supply must be used with wall plugs and are intended for attachment to solid brick, solid sand lime brick, concrete or engineering brick. An 8 mm hole must be drilled into the wall, with the plastic wall plug being knocked in to leave it flush with the surface. The hook must be screwed into a depth that leaves at least 10 mm of its length projecting from the wall.
 - Commercial type special mounting elements must be used for attachment to other wall materials.
- Dowels and screws must be matched to one another. Ordinary chipboard screws must not be used instead of wall plug screws.
 - Mounting suspension rails:
 - with 2 special screws, \varnothing 5.5 x 50 mm, at the level of each cabinet suspension bracket
 - from a carcass width of 900 mm, an additional special screw, \varnothing 5.5 x 50 mm, must be fitted at the centre on the back of each carcass.
 - Add on elements, such as end shelves, must not be fitted without separate cabinet suspension bracket.

Euro screw countersunk \varnothing 6.3 mm



- ▶ Countersunk
- ▶ EN-Pozidrive screw
- ▶ For hole diameter 5 mm
- ▶ Nickel plated

Length mm	Order no.	PU
10.5	1 005 508	1000 ea.
11	9 239 077	200 ea.
14	0 047 452	200 ea.

Euro screw countersunk \varnothing 6.3 mm



- ▶ Oval head
- ▶ EN-Pozidrive screw
- ▶ For hole diameter 5 mm
- ▶ Nickel plated

Length mm	Order no.	PU
11	0 040 006	200 ea.
15	0 040 008	200 ea.

Profix screw \varnothing 8 G



- ▶ Countersunk with nibs
- ▶ EN-Pozidrive screw
- ▶ Yellow passivated

Length mm	Order no.	PU
28	0 046 942	1000 ea.
32	0 046 943	1000 ea.
40	0 046 944	1000 ea.

Cover cap for profix screw



- ▶ Plastic white

Order no.	PU
0 046 946	1000 ea.

Chipboard screw \varnothing 4.5 x 16 mm



- ▶ Countersunk
- ▶ EN-Pozidrive screw
- ▶ Nickel plated

Order no.	PU
0 066 713	1000 ea.

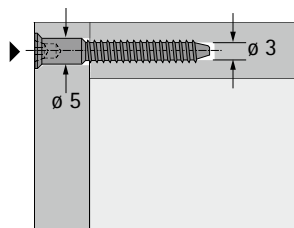
One piece connector Direkta 3



1



2



- ▶ With Pozidrive head
- ▶ Diameter 5 x 50 mm
- ▶ Chromated steel

Article	Order no.	PU
1 Direkta 3	0 048 692	500 ea.
2 Stepped drill 3 mm / 5 mm dia.	0 048 698	1 ea.



Neat on the outside, clever inside.

That's the motto of modern kitchens. Intelligent fitting systems from Hettich let you include innovative functions behind attractive front panels. Also make efficient use of narrow cabinets and inaccessible corner to the benefit of

your customers: provide unobstructed, easy access to storage space. High quality materials and attractive design define the look of first class quality.



Making full use of corner storage space: with the LeMans II swivel pull-out. Shelves swivel independently of each other and are height adjustable.



Internal pot-and-pan drawer for wall units: ideal for narrow and tall elements. For kitchen and bathroom. Variable, can be retro-fitted, smooth running action.

Fitting systems for kitchens

► Summary



Base unit interior fittings

108 - 113



Corner unit equipment

114 - 123



Sink unit equipment / wall unit interior fittings

124 - 126



Waste collecting systems

127 - 130



Interior fittings for pantry units

131 - 132



Kitchen accessories

133

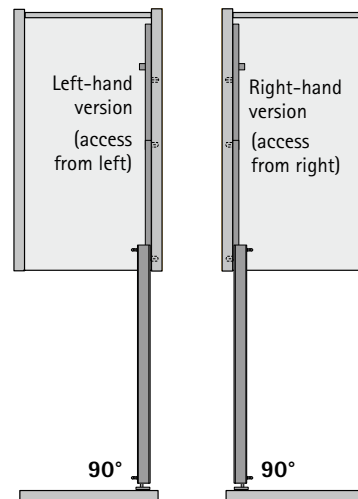
Base unit interior fittings



- ▶ 90° pot-and-pan drawers
- ▶ With full extension runner and Silent System



- ▶ Base unit pot-and-pan drawers permit a large variety of possibilities for combination
- ▶ Optimal use of the available space with compensating and diagonal base units



Pull-out frame



- ▶ Frame with full extension ball bearing runner complete with Silent System
- ▶ Attached to the carcass side
- ▶ Suitable shelves / baskets are simply hooked in
- ▶ Inside carcass depth / width depend on the front bracket used
- ▶ Front brackets and shelves / baskets must be ordered separately
- ▶ Right and left-hand version
- ▶ Load capacity 24 kg
- ▶ Powder coated steel brilliant white

Page reference:

- ▶ For front brackets, see below
- ▶ For Arena STYLE shelves, see page 109

Type	Height mm	Minimum inside carcass height mm	Dimension B mm	Order no.	PU
left (hinged right)	661	663	603	9 079 682	1 ea.
right (hinged left)	661	663	603	9 080 172	1 ea.

Front bracket



- ▶ For robust connection and 3-dimensional adjustment of the front on the pull-out frame
- ▶ Powder coated steel brilliant white

Set comprises:

- ▶ 2 front brackets

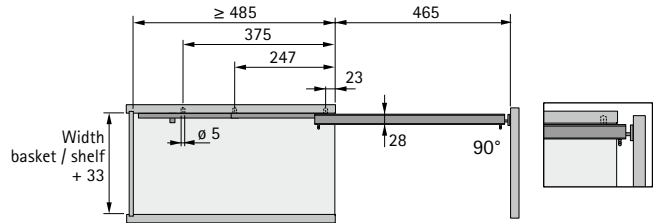
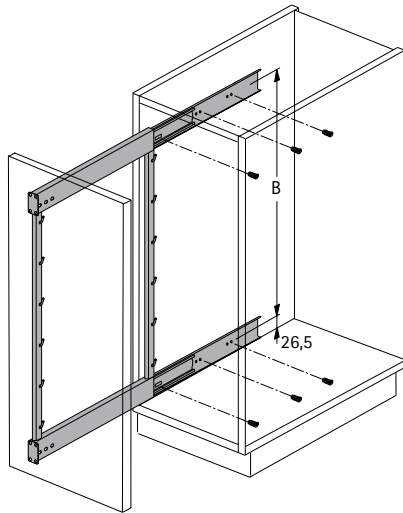
Order no.	PU
9 079 714	1 set

Base unit interior fittings

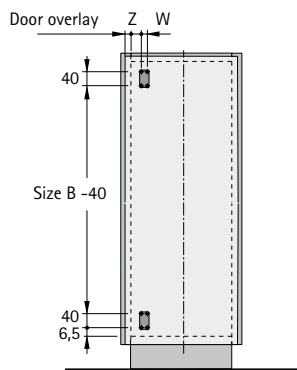


- ▶ 45°, 55° and 90° pot-and-pan drawers
- ▶ With full extension runner and Silent System

Pull-out frame

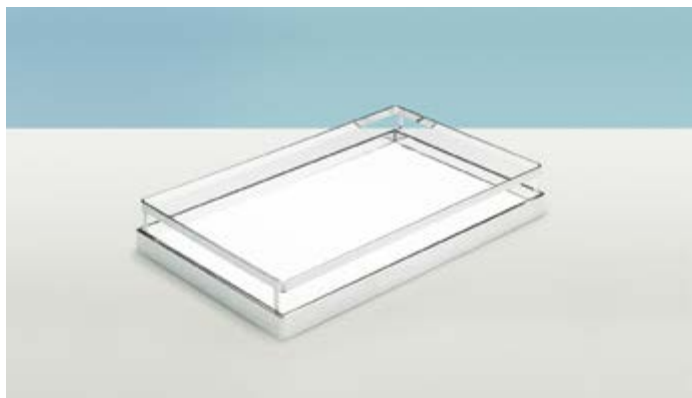


Planning dimensions



Face angle	Dimension Z mm	Dimension W mm
90°	12.0	15.0

Arena STYLE non-slip clip on shelves 90°



- ▶ For for hook in assembly in the pull-out frame
- ▶ Wooden shelf, melamine resin coated, white, with non-slip special coating
- ▶ Railing chrome plated steel

Width x depth x height mm	Order no.	PU
110 x 470 x 75	9 080 157	1 ea.
160 x 470 x 75	9 079 755	1 ea.
228 x 470 x 75	9 079 803	1 ea.
320 x 470 x 75	9 079 804	1 ea.

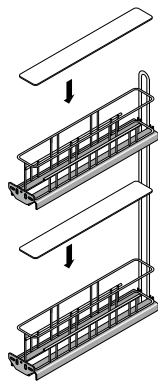
Base unit interior fittings

- ▶ Cargo IQ plus 150, 90° pot-and-pan drawer, 2-tier
- ▶ For cabinet width 150 mm



- ▶ For cabinet width 150 mm
- ▶ Load capacity 15 kg
- ▶ Minimum inside carcass dimensions:
Width 112 mm
Depth 495 mm
Height 590 mm
- ▶ Please order Quadro V6 full extension runner with Silent System and shelves separately, see below
- ▶ Can be mounted on the right or left or diagonally
- ▶ Pot-and-pan drawer powder coated steel, silver
Shelf translucent plastic

Cargo IQ plus 150



Article	Colour	Order no.	PU
Cargo IQ plus 150	Silver	9 077 588	1/10 ea.
Shelf 150	Translucent	9 077 601	1/40 ea.

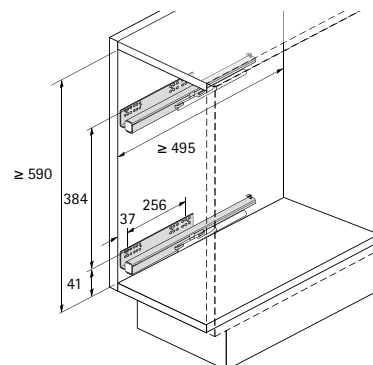
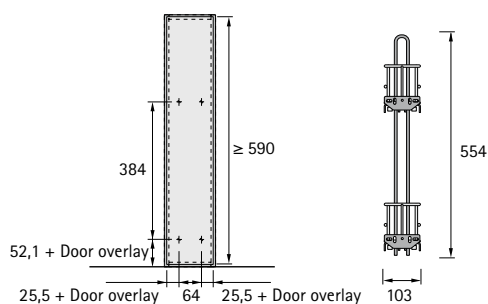
Quadro V6 full extension runner with Silent System



- ▶ Nominal length 470 mm
- ▶ Galvanised steel

Installed width mm	Carcass side thickness mm	Order no. / Hinge side of cabinet		PU
		left	right	
12.5	16	9 118 054	9 118 055	1/20 ea.

Planning dimensions



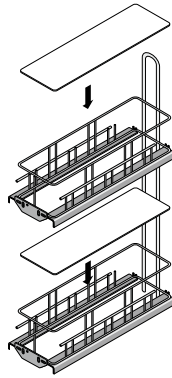
Base unit interior fittings

- ▶ Cargo IQ plus 200, 90° pot-and-pan drawer, 2-tier
- ▶ For cabinet width 200 mm



- ▶ For cabinet width 200 mm
- ▶ Load capacity 17.5 kg
- ▶ Minimum inside carcass dimensions:
Width 162 mm
Depth 495 mm
Height 590 mm
- ▶ Please order Quadro V6 full extension runner with Silent System and shelves separately, see below
- ▶ Can be mounted on the right or left or diagonally
- ▶ Pot-and-pan drawer powder coated steel, silver
Shelf translucent plastic

Cargo IQ plus 200



Article	Colour	Order no.	PU
Cargo IQ plus 200	Silver	9 065 857	1/5 ea.
Shelf 200	Translucent	9 065 861	1/40 ea.

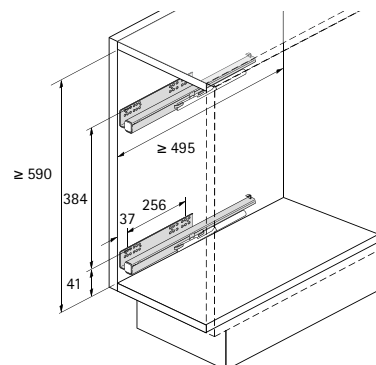
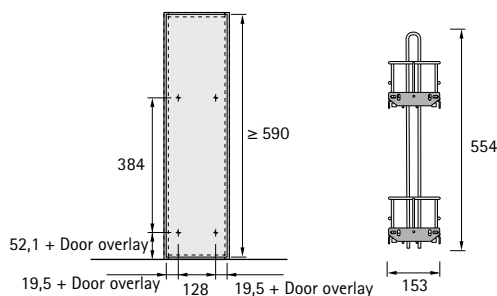
Quadro V6 full extension runner with Silent System



- ▶ Nominal length 470 mm
- ▶ Galvanised steel

Installed width mm	Carcass side thickness mm	Order no. / Hinge side of cabinet		PU
		left	right	
12.5	16	9 118 054	9 118 055	1/20 ea.

Planning dimensions



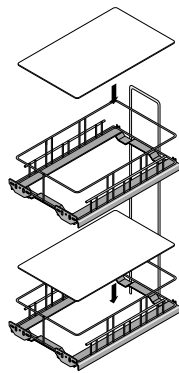
Base unit interior fittings

- ▶ Cargo IQ plus 300 90° pot-and-pan drawer, 2-tier
- ▶ For cabinet width 300 mm



- ▶ For cabinet width 300 mm
- ▶ Load capacity 20 kg
- ▶ Minimum inside carcass dimensions:
Width 262 mm
Depth 495 mm
Height 590 mm
- ▶ Please order Quadro V6 full extension runner with Silent System and shelves separately, see below
- ▶ Mounting is required on the left and right, mounted diagonally
- ▶ Pot-and-pan drawer powder coated steel, silver
Shelf translucent plastic

Cargo IQ plus 300



Article	Colour	Order no.	PU
Cargo IQ plus 300	Silver	9 065 860	1/4 ea.
Shelf 300	Translucent	9 065 862	1/40 ea.

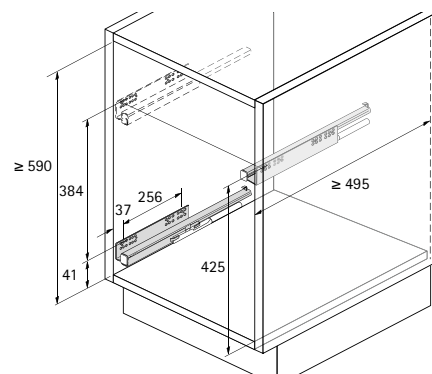
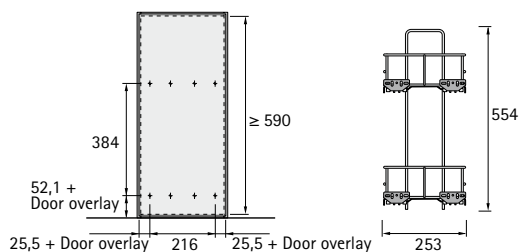
Quadro V6 full extension runner with Silent System



- ▶ Nominal length 470 mm
- ▶ Galvanised steel

Installed width mm	Carcass side thickness mm	Order no. / Hinge side of cabinet		PU
		left	right	
12.5	16	9 118 054	9 118 055	1/20 ea.

Planning dimensions



Base unit interior fittings

- ▶ Front pull-out with towel tail
- ▶ For cabinet width 150 mm



- ▶ For cabinet width 150 mm
- ▶ Including Quadro full-extension runners with integrated Silent System
- ▶ Loading capacity 15 kg
- ▶ Minimum inside carcass dimensions:
Width 108 mm
Depth 485 mm
Height 563 mm
- ▶ Wooden shelf: melamine coated white with non-slip coating
Railing and towel holder: chrome-plated steel

Pull-out towel holder

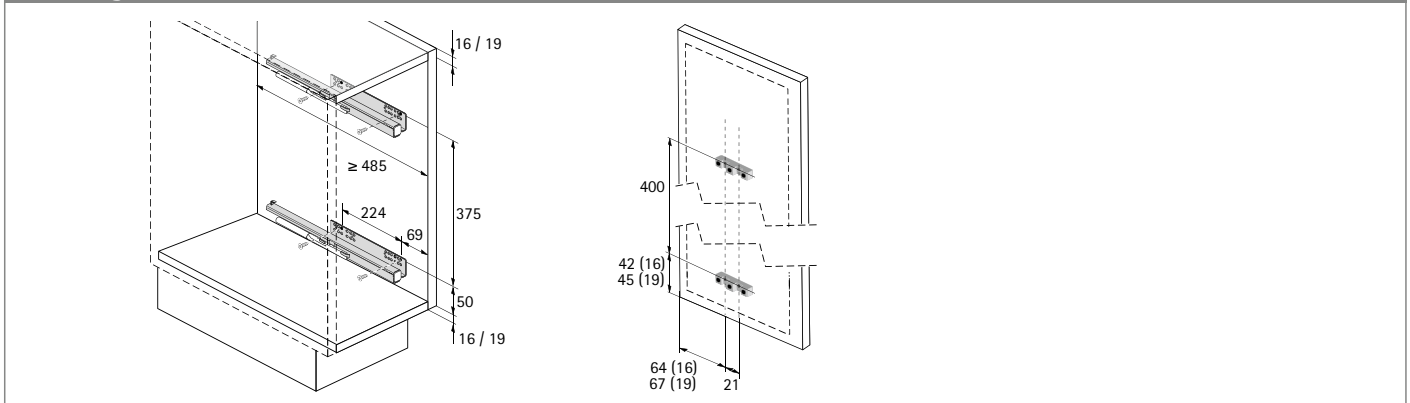


Set comprises:

- ▶ 1 pull-out frame with:
2 towel holders, 1 wooden shelf with non-slip coating
2 front connectors
2 full-extension runners




Order no.	PU
9 162 130	1 set

Planning dimensions



Corner unit equipment

► Range summary / technical comparison

	Moving Corner	LeMans II	Revo 90°
			
Page	115 - 116	117 - 119	120 - 122
Description	Corner unit pull-out for installing with pot-and-pan drawer	Corner unit swivel pull-out for installing behind hinged door	Folding door corner unit carousel fitting for entrained front panels
Features	<ul style="list-style-type: none"> ► With ClickFixx fast installation system ► Pull-out with integrated Silent System 	<ul style="list-style-type: none"> ► With ClickFixx fast installation system ► Silent System can be fitted as an optional upgrade 	<ul style="list-style-type: none"> ► With ClickFixx fast installation system ► With integrated Silent System
Loading capacity	7 kg per shelf / basket, front 9 kg per shelf / basket, rear	25 kg per shelf	25 kg per shelf / basket
For corner cabinet widths	For corner units with 450 to 600 mm front width	For corner units with 450, 500 or 600 mm front width	For corner dimensions of 800 x 800 mm and 900 x 900 mm
For inside carcass height	525 mm min.	600 - 750 mm, 720 - 900 mm or 1265 mm min.	660 - 860 mm
Fitting / centre column colour	<ul style="list-style-type: none"> ► Silver ► Brilliant white 	<ul style="list-style-type: none"> ► White ► Anthracite 	<ul style="list-style-type: none"> ► Center column, chrome plated steel ► Fitting, powder coated steel, silver
Clip on baskets / carousel shelves	<ul style="list-style-type: none"> ► Arena STYLE, chrome plated ► Arena CLASSIC, chrome plated 	<ul style="list-style-type: none"> ► Arena STYLE, chrome plated, white / anthracite 	<ul style="list-style-type: none"> ► STYLE chrome plated
Clip on baskets / carousel baskets	<ul style="list-style-type: none"> ► Steel, chrome plated 	-	<ul style="list-style-type: none"> ► Steel, chrome plated ► Powder coated steel, silver
Specifics	<ul style="list-style-type: none"> ► The rear shelves / baskets are moved to the cabinet opening on pulling out the pot-and-pan drawer 	<ul style="list-style-type: none"> ► Shelves individually swing out all the way, leaving them in front of the carcass 	<ul style="list-style-type: none"> ► Closing speed can be adjusted without the need for tools ► Shelves infinitely height adjustable

Corner base unit interior fittings

- ▶ Corner unit pull-out system
- ▶ Moving Corner

Moving Corner



- ▶ Optimum use of space for corner cabinets 900 and 1000 mm wide
- ▶ Integrated Silent System
- ▶ With ClickFixx fast installation system
- ▶ Please order matching clip on shelves and baskets separately
- ▶ Powder coated steel

Set comprises:

- ▶ Complete fitting including Silent System

Page reference:

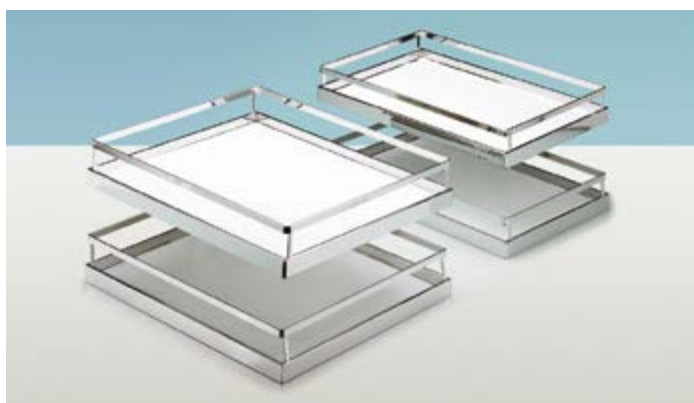
- ▶ For clip on shelves and baskets, see below and page 92

Type	Order no. / Colour		PU
	Brilliant white	Silver	
left	9 080 006	0 073 504	1 set
right	9 080 007	0 073 505	1 set

Operating principle (illustration shows a left-hand version):



Arena STYLE non-slip clip on shelves



- ▶ Wooden shelf, melamine resin coated, white, with non-slip special coating
- ▶ Load capacity 7 kg per front shelf, 9 kg per rear shelf
- ▶ Railing chrome plated steel

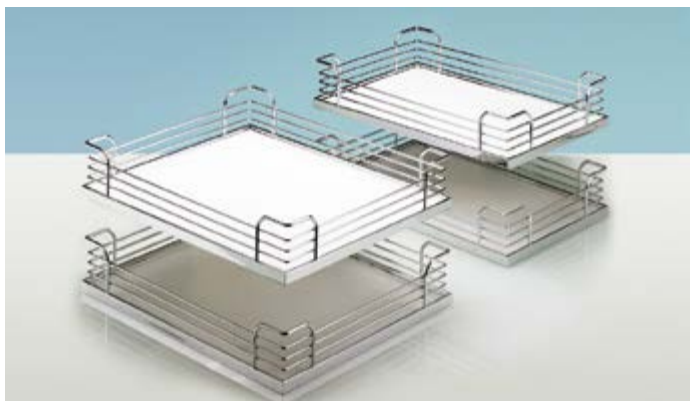
Set comprises:

- ▶ 4 Arena STYLE clip on shelves

Order no.	PU
9 080 011	1 set

- ▶ Corner unit pull-out system
- ▶ Moving Corner

Arena CLASSIC non-slip clip on shelves



- ▶ Wooden shelf, melamine resin coated, white, with non-slip special coating
- ▶ Load capacity 7 kg per front shelf, 9 kg per rear shelf
- ▶ Railing chrome plated steel

Set comprises:
▶ 4 Arena CLASSIC clip on shelves

Order no.	PU
0 013 890	1 set

Clip on baskets

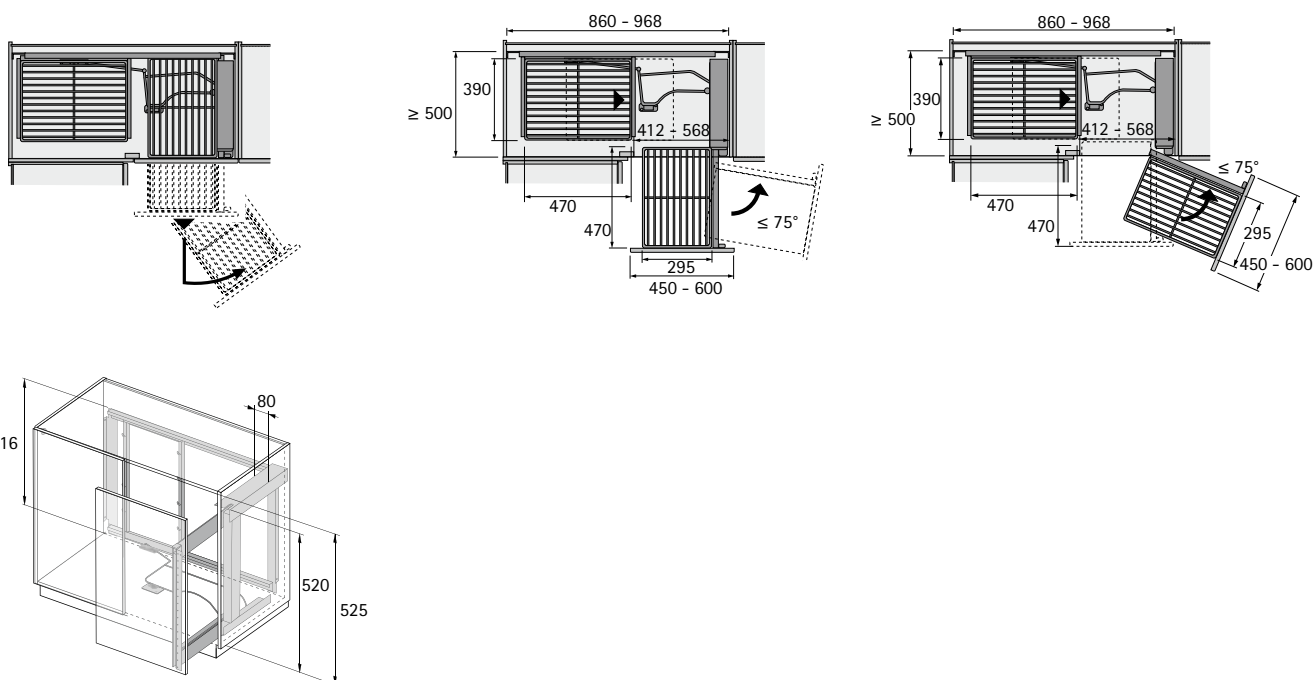


- ▶ Load capacity 7 kg per front basket, 9 kg per rear basket
- ▶ Steel, chrome plated

Set comprises:
▶ 4 clip on baskets

Order no.	PU
0 073 506	1 set

Installation*



* Illustration is showing a right-hand version

- ▶ Corner unit swivel pull-out
- ▶ LeMans II

Shelf sets



- ▶ For complete and unrestricted access to the corner cabinet
- ▶ The shelves can be swivelled out individually and completely
- ▶ Minimum carcass depth inside 500 mm
- ▶ Load capacity 25 kg / bottom panel
- ▶ With ClickFixx fast installation system
- ▶ Pivot arm and optional Silent System must be ordered separately
- ▶ Arena shelves, melamine resin coated wooden shelves with non-slip special coating
- ▶ Railing, steel, chrome plated or powder coated
- ▶ **Note:** Two shelf sets are needed for the LeMans II highboard.

Set comprises:

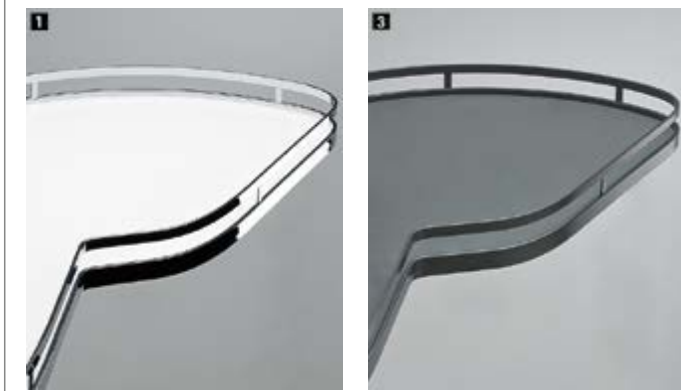
- ▶ 2 Arena STYLE/CLASSIC non-slip shelves
- ▶ 2 swivel mechanisms
- ▶ 1 drilling template

Page reference:

- ▶ For pivot arm and optional Silent System, see page 933

Front panel width mm	Type	Order no. / Article		PU
		1 STYLE railing Chrome plated	3 STYLE railing Anthracite	
450	left	9 136 151	9 207 583	1 set
450	right	9 136 152	9 207 584	1 set
500	left	9 136 153	9 207 585	1 set
500	right	9 136 154	9 207 586	1 set

Pull-out shelves

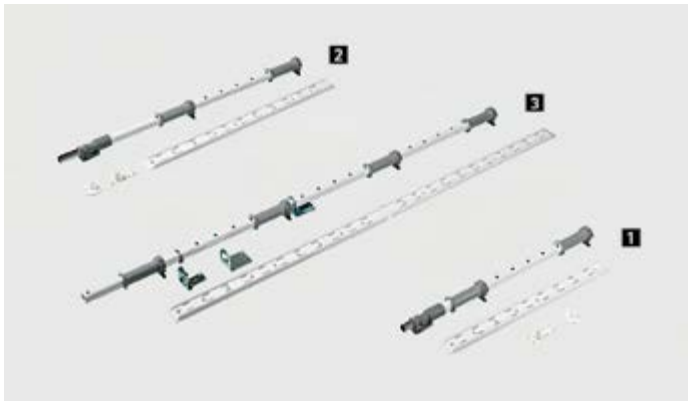


- ▶ Corner unit swivel pull-out
- ▶ LeMans II

Sequence of movements (illustration shows a right-hand version):



Pivot arms for LeMans II



- ▶ Pivot arm for LeMans II corner unit swivel pull-out
- ▶ Powder coated steel

Set comprises:

- ▶ 1 center column
- ▶ 1 assembly rail (2 for pivot arm 1265 mm)
- ▶ Accessories

Inside carcass height mm	Number of pull-out shelf sets	Order no. / Colour		PU
		White	Anthracite	
1 600 - 750	1 pull-out shelf set (2 pull-out shelves)	9 132 546	9 207 596	1 set
2 720 - 900	1 pull-out shelf set (2 pull-out shelves)	9 132 547	9 207 598	1 set
3 min. 1265	2 pull-out shelf sets (4 pull-out shelves)	9 132 548	9 207 599	1 set

Silent System for LeMans II



- ▶ Optional Silent System for LeMans II shelves
- ▶ Simply clips onto the swivel arm
- ▶ One soft closing element is needed per shelf
- ▶ Plastic

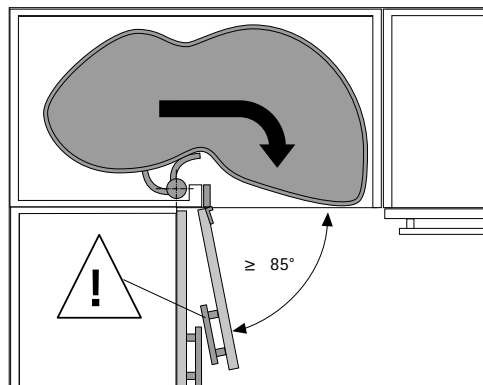
Set comprises:

- ▶ 2 soft closing elements for a LeMans II shelf set, left and right

Type	Order no. / Colour		PU
	White	Anthracite	
left	9 132 399	9 248 524	1 set
right	9 132 400	9 248 523	1 set

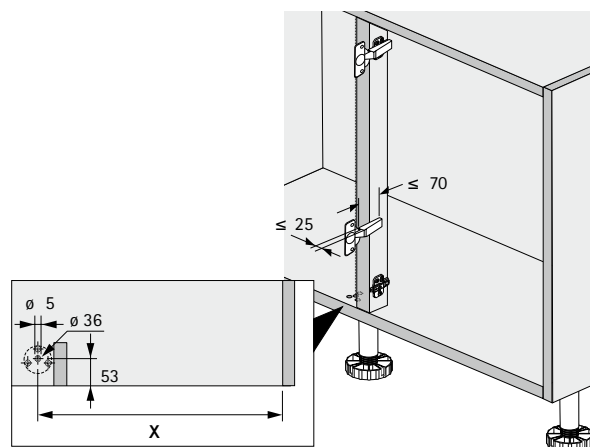
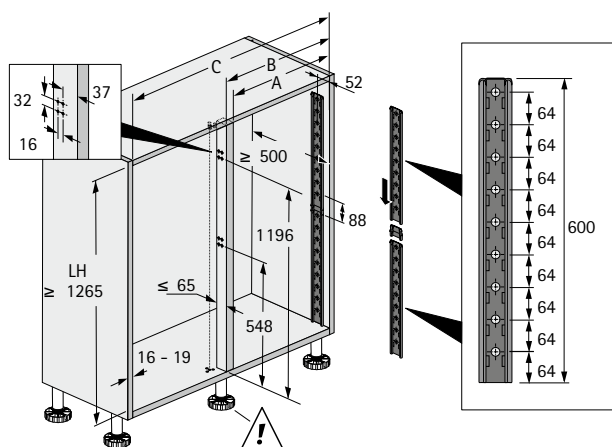
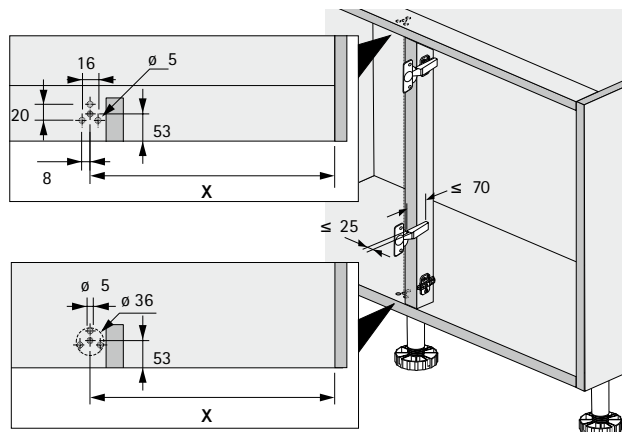
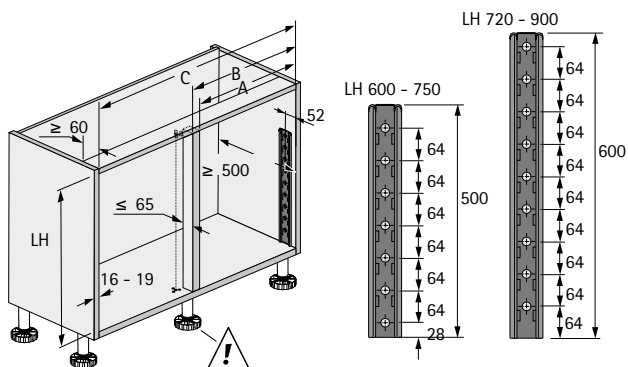
- ▶ Corner unit swivel pull-out
- ▶ LeMans II

Installation*



Door mm	Dim. X mm	Dim. A mm	Dim. B mm	Dim. C mm
450	476	411 - 418	450	≥ 800
500	526	461 - 468	500	≥ 910
600	626	561 - 568	600	≥ 960

* Illustration is showing a right-hand version



Corner Base unit interior fittings



- ▶ Folding door corner unit carousel fitting
- ▶ Revo 90°

Revo 90° corner unit carousel fitting



- ▶ Basic fitting for carcass dimensions 800 x 800 and 900 x 900 mm
- ▶ The Revo 90° mechanism lets the front panel of the cabinet disappear in the carcass when the unit is opened, thus ensuring unhindered access to the storage space
- ▶ With integrated Silent System, the closing speed can be adjusted without the need for tools
- ▶ For inside heights of 660 - 860 mm
- ▶ The mounting cross makes an additional top panel unnecessary
- ▶ With ClickFixx fast installation system
- ▶ Load capacity 25 kg / bottom panel
- ▶ Carousel fittings infinitely height adjustable
- ▶ The basic fitting is designed to accommodate two bottom panels
- ▶ Powder coated steel, silver

Set comprises:

- ▶ 1 mounting frame including spacers
- ▶ 1 telescopic center column with folding door mechanism and drawer front connectors
- ▶ 1 carousel shelf support for the second shelf



Order no.	PU
9 080 040	1 set

Details



Corner base unit interior fittings

- ▶ Folding door corner unit carousel fitting
- ▶ Revo 90°



Arena STYLE non-slip shelf for Revo 90°



- ▶ 810 mm ø (for 900 x 900 carcass)
- ▶ Wooden shelf, melamine resin coated, white, with non-slip special coating
- ▶ Railing chrome plated steel

Order no.	PU
9 080 043	1/2 ea.

Arena CLASSIC non-slip shelf for Revo 90°



- ▶ 810 mm ø (for 900 x 900 carcass)
- ▶ Wooden shelf, melamine resin coated, white, with non-slip special coating
- ▶ Railing chrome plated steel

Order no.	PU
0 048 679	1/2 ea.

Support of third carousel tray



- ▶ Plastic

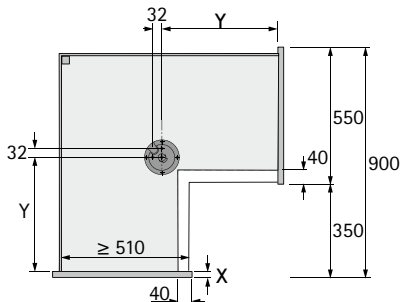
Order no.	PU
9 079 831	1 ea.

Corner base unit interior fittings

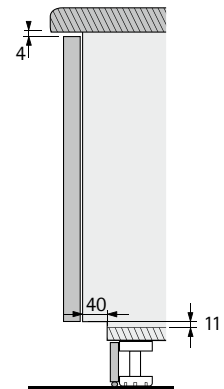
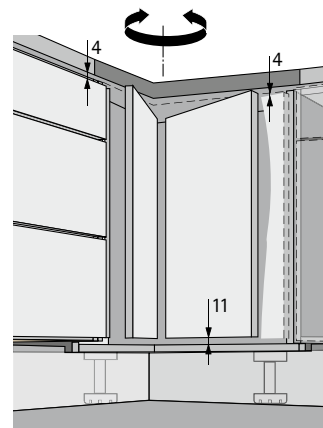
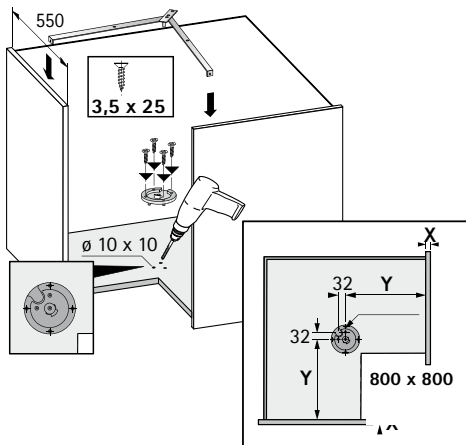
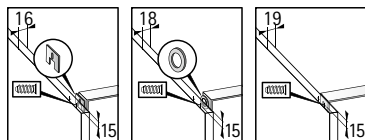
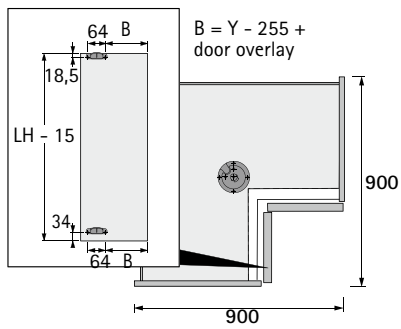
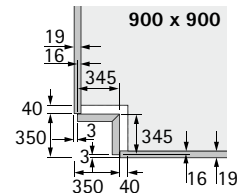
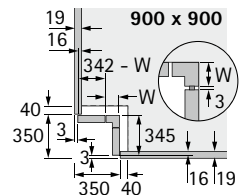
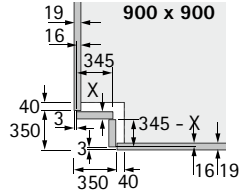


- ▶ Folding door corner unit carousel fitting
- ▶ Revo 90°

Installation



X mm	Y mm
19	421,5
18	422,5
16	424,5



Corner base unit interior fittings



- ▶ Corner unit carousel fittings
- ▶ With three-quarter circle revolving shelves



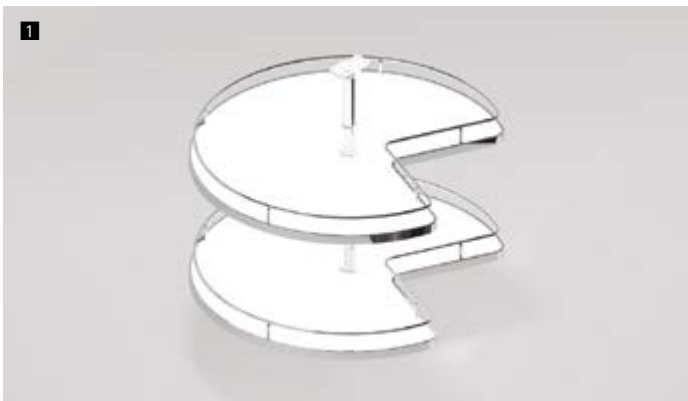
- ▶ For corner base units, carcass dimensions 800 x 800 or 900 x 900 mm
- ▶ Variable installation height: the centre column can be adjusted by 630 - 730 mm
- ▶ Quick and simple adjustment of the carousel shelf height thanks to adjustable bearings
- ▶ Load capacity 20 kg / shelf
- ▶ White wooden shelves with non-slip coating with railing chrome-plated steel

Set comprises:

- ▶ 2 three-quarter circle revolving shelves
- ▶ 1 height-adjustable revolving column
- ▶ 1 set of fittings

Article	Order no. / carcass dimensions mm		PU
	800 x 800	900 x 900	
1 Wooden shelf, non-slip, chrome-plated rail	9 162 190	9 162 201	1 set
2 Chrome-plated steel	9 162 202	9 162 203	1 set

Three-quarter circle revolving shelves



Installation

ø mm	Dim. A mm	Dim. B mm
710	min. 760	min. 460
810	min. 860	min. 510

- ▶ Sink unit equipment
- ▶ Portero cleaning utensil pull-out

Portero 2 cleaning utensil pull-out



Set comprises:

- ▶ 1 system carrier
- ▶ 1 clip on basket with handle and plastic tray
- ▶ 1 clip on basket with plastic tray, 8 divider bars

Width x depth x height mm	Dimension A mm	Dimension B mm	Order no.	PU
276 x 468 x 395	395	285	0 049 086	1 set

Portero 3 cleaning utensil pull-out

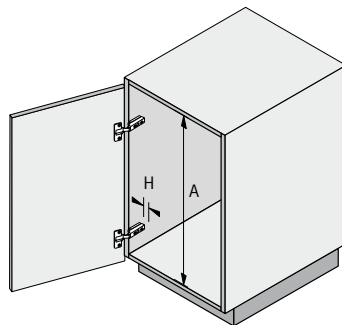


Set comprises:

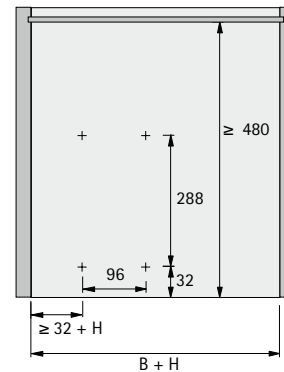
- ▶ 1 system carrier
- ▶ 1 clip on basket with handle and plastic tray
- ▶ 1 clip on basket with plastic tray, 8 divider bars
- ▶ 1 swivel basket with plastic shelf

Width x depth x height mm	Dimension A mm	Dimension B mm	Order no.	PU
276 x 468 x 510	507	285	0 049 087	1 set

Planning dimensions



H = Hinge protrusion



Sink unit interior fittings



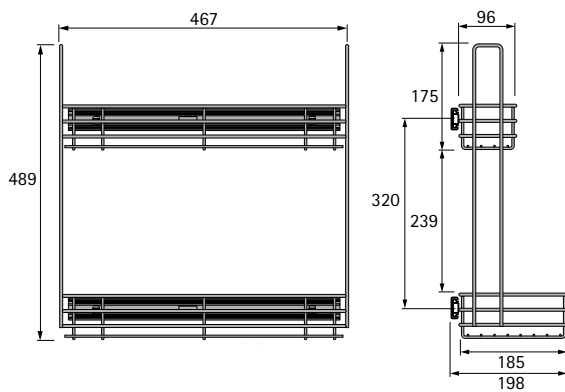
- ▶ Sink unit equipment
- ▶ Cleaning Agent pull-out, towel rail

Cleaning utensil pull-out



- ▶ Complete with full extension ball bearing runner
- ▶ Suitable for use on left or right
- ▶ Steel, chrome plated

Order no.	PU
0 073 549	1 set



Telescopic and pivotable towel rails



- ▶ Can be pivoted infinitely
- ▶ Mounted on the right / left of the carcass and on the top panel
- ▶ Overall length 495 mm, pull-out length 395 mm
- ▶ Steel, chrome plated

Number of bars	Width mm	Order no.	PU
3	145	0 049 235	1 ea.

Pull-out towel rail



- ▶ Slide length 260mm
Height 39mm
Width 104mm
Rail spacing 43mm
- ▶ Length 370 mm
- ▶ Steel, chrome plated plastic finish

Order no.	PU
0 070 694	1 ea.

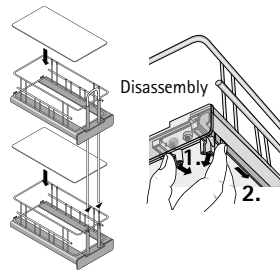
Wall unit interior fittings

- ▶ Cargo IQ Plus, 90° internal pot-and-pan drawer
- ▶ 2-tier



- ▶ Suitable for use on left or right
- ▶ Load capacity 10 kg
- ▶ Minimum inside carcass dimensions:
Width 148 mm
Depth 290 mm
Height 548 mm
- ▶ Top basket height adjustable
- ▶ Please order Quadro V6 full extension runner with Silent System and shelf separately, see below
- ▶ Steel

Cargo IQ Plus 90°



- ▶ Inside basket width 105 mm
- ▶ Plastic shelves

Article	Finish	Order no.	PU
Cargo IQ plus 90°	Chrome plated	9 077 616	1/10 ea.
Shelf	Translucent	9 066 464	1/40 ea.

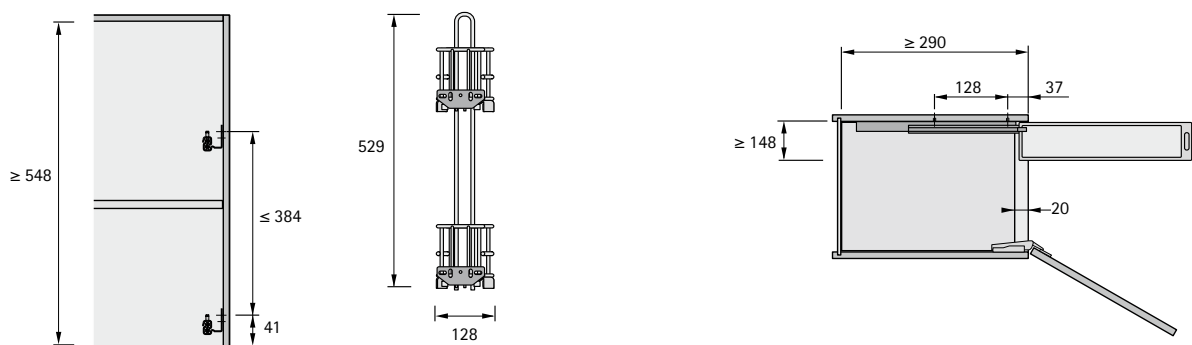
Quadro V6 full extension runner with Silent System



- ▶ Nominal length 260 mm
- ▶ Galvanised steel

Installed width mm	Carcass side thickness mm	Order no. / Hinge side of cabinet		PU
		left	right	
12.5	16	9 118 019	9 118 020	1/20 ea.

Planning dimensions

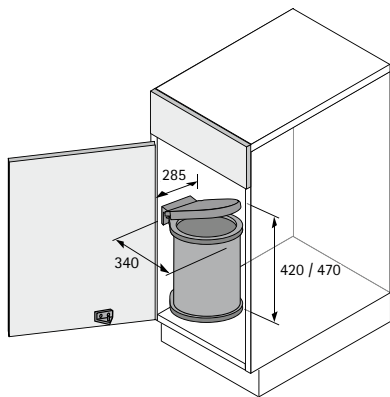


Waste collecting systems

- ▶ Waste collecting systems behind hinged doors
- ▶ Bin.it Classic



Bin.it Classic



- ▶ For minimum cabinet width 400 mm
- ▶ Capacity 11 / 13 litres
- ▶ Can be installed on the left or right
- ▶ Insert, plastic

Set comprises:

- ▶ 1 round bin with lid
- ▶ 1 swivel mechanism

Article	Width x depth x height mm	Order no.	PU
1 Silver lacquered / black plastic 11 litre bin	340 x 285 x 420*	0 048 936	1 set
2 White lacquered / white plastic 13 litre bin	340 x 285 x 470*	0 048 935	1 set

* lid in open position

- ▶ Waste systems behind front panels
- ▶ Bin.it Duo I

Bin.it Duo I



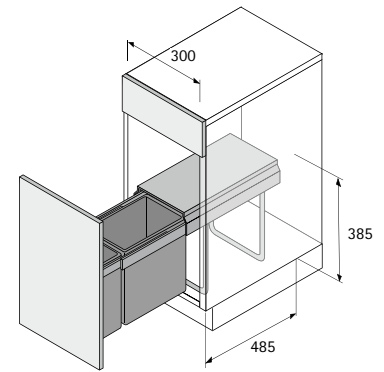
- ▶ Capacity 30 litres
- ▶ Full-extension slide
- ▶ For minimum cabinet width 300 mm
- ▶ Quick and simple installation
- ▶ Door mounted
- ▶ Width 254 mm
Depth 485 mm
Height 385 mm

Set contains:

2 bins with lid +

Complete fitting with full-extension slide

1 frame including front connection



Bins	Lid	Order no.	PU
stainless steel	black plastic	0 049 477	1 set
grey plastic	grey plastic	0 049 476	1 set

Waste collecting systems

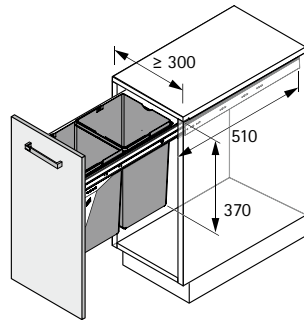


- ▶ Waste collecting systems behind front panels
- ▶ Waste collecting system 300

Waste collecting system 300 / 2 x 15 litre



Above image depicts Door Pull option



- ▶ For cabinet width min. 300 mm
- ▶ For mounting between carcass sides or under the carcass top
- ▶ With KA 4532 ball bearing runner incl. Silent System
- ▶ Capacity 30 litres
- ▶ Optional bracket for Door Pull option to be ordered separately
- ▶ System 300 also available as Handle Pull option (behind hinged doors)
- ▶ Frame and pull-out, steel grey
- ▶ Bins, plastic grey

Set comprises:

- ▶ 1 frame with full extension runner
- ▶ 2 bins

Order no.	PU
9 237 953	1 set

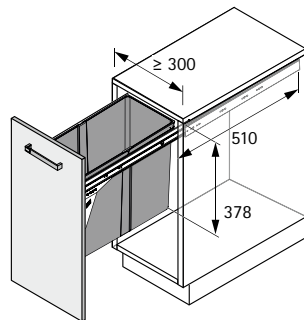
- ▶ Optional door mounting bracket

9 237 957	1 ea.
-----------	-------

Waste collecting system 300 / 1 x 30 litre



Above image depicts Door Pull option



- ▶ For cabinet width min. 300 mm
- ▶ For mounting between carcass sides or under the carcass top
- ▶ With KA 4532 ball bearing runner incl. Silent System
- ▶ Capacity 30 litres
- ▶ Optional bracket for Door Pull option to be ordered separately
- ▶ System 300 also available as Handle Pull option (behind hinged doors)
- ▶ Frame and pull-out, steel grey
- ▶ Bin, plastic grey

Set comprises:

- ▶ 1 frame with full extension runner
- ▶ 1 bin

Order no.	PU
9 237 954	1 set

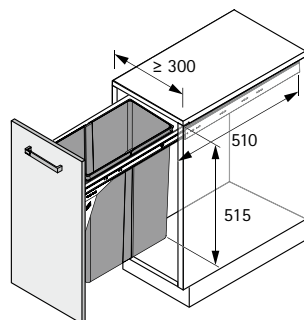
- ▶ Optional door mounting bracket

9 237 957	1 ea.
-----------	-------

Waste collecting system 300 / 1 x 40 litre



Above image depicts Door Pull option



- ▶ For cabinet width min. 300 mm
- ▶ For mounting between carcass sides or under the carcass top
- ▶ With KA 4532 ball bearing runner incl. Silent System
- ▶ Capacity 40 litres
- ▶ Optional bracket for Door Pull option to be ordered separately
- ▶ System 300 also available as Handle Pull option (behind hinged doors)
- ▶ Frame and pull-out, steel grey
- ▶ Bin, plastic grey

Set comprises:

- ▶ 1 frame with full extension runner
- ▶ 1 bin

Order no.	PU
9 237 955	1 set

- ▶ Optional door mounting bracket

9 237 957	1 ea.
-----------	-------

- ▶ Built-in waste bins
- ▶ Bin.it Duo II 400




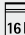
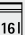
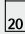
Bin.it Duo II - 400

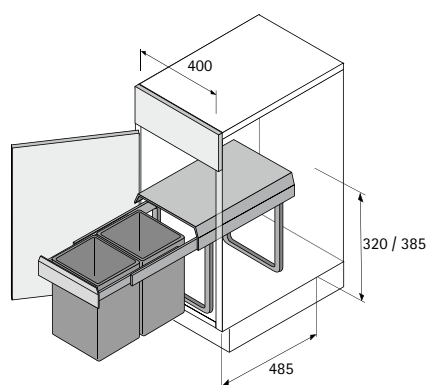


- ▶ For minimum cabinet width 400 mm
- ▶ Quick and simple bottom panel installation
- ▶ Pull-out system with full extension runner
- ▶ Frame and pull-out, steel
- ▶ Lid, plastic

Set comprises:

- ▶ 2 bins
- ▶ Complete fitting with full extension runner and lid

Article	Capacity	Width x depth x height mm	Order no.	PU
Stainless steel bin / black plastic lid	 + 	338 x 485 x 385	0 049 475	1 set
Bins with lid Plastic, grey	 + 	338 x 485 x 320	0 049 472	1 set
Bin of stainless steel bin / black plastic lid	 + 	338 x 485 x 320	0 049 473	1 set
Bins and lid of Plastic, grey	 + 	338 x 485 x 385	0 049 474	1 set



► Pull-out pantry set



- Pull-out pantry with integrated Silent System
- Contents can be accessed from both sides
- Full extension runner
- Contents are clearly arranged and compactly stored
- Load capacity 120 kg

Height adjustable center upright with front brackets / rails

- Complete with Silent System soft closure
- Height adjustable
- Suitable for cabinet widths 300, 400, 500 and 600 mm
- Minimum inside carcass depth 500 mm
- Steel, powder-coated silver

Set comprises:

- 2 full extension runners, silver
- 1 height adjustable centre upright
- 2 front brackets
- Baskets and supports

Cabinet width mm	Interior cabinet width mm	Interior cabinet height mm	Number of baskets	Order no.	PU
300	260	1900 – 2300	5	9 162 182	1 set
400	360	1900 – 2300	5	9 162 183	1 set
500	460	1900 – 2300	5	9 162 184	1 set
600	560	1600 – 2000	4	9 162 185	1 set

Additional basket

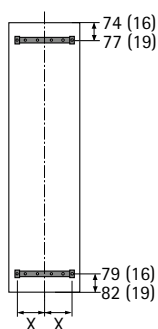
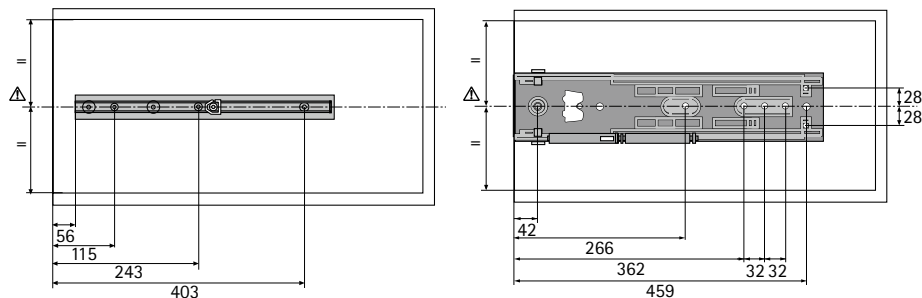


- Chrome-plated steel

Cabinet width mm	Width x depth x height mm	Order no.	PU
300	250 x 480 x 95	9 162 186	1 ea.
400	350 x 480 x 95	9 162 187	1 ea.
500	450 x 480 x 95	9 162 188	1 ea.
600	550 x 480 x 95	9 162 189	1 ea.

- ▶ Pull-out pantry set
- ▶ Assembly

Planning dimensions



Cabinet width mm	Dim. X mm
300	114,5
350	114,5
400	164,5
450	189,5
500	189,5
600	189,5

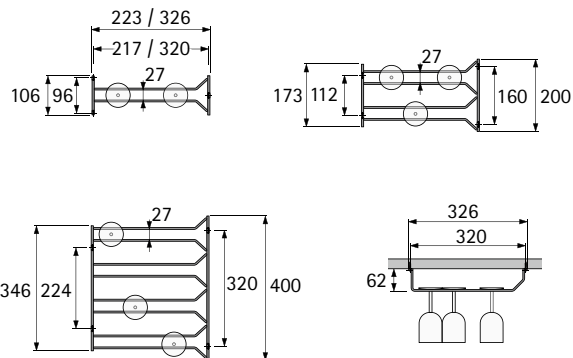
Kitchen accessories

▶ Glass holder, glass rail

Glass holder



- ▶ Adjustable support area designed for fitting underneath shelves, top cabinets, bar canopies, etc.
- ▶ Hanging storage for champagne, wine or beer glasses, etc.
- ▶ Chrome-plated steel

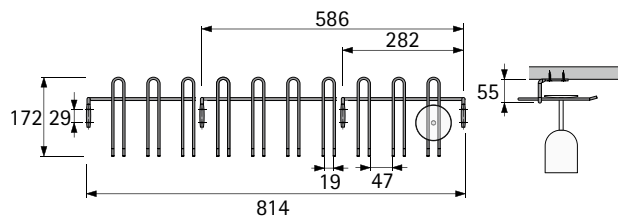


Number of rows	Width x depth x height mm	Order no.	PU
1	106 x 223 x 62	0 042 363	1 ea.
2	200 x 326 x 62	0 042 369	1 ea.
4	400 x 326 x 62	0 042 376	1 ea.

Glass support rail



- ▶ Adjustable support area designed for fitting underneath shelves, top cabinets, bar canopies, etc.
- ▶ Hanging storage for champagne, wine or beer glasses, etc.
- ▶ Chrome-plated steel



Number of rows	Width x depth x height mm	Order no.	PU
7	586 x 172 x 55	0 042 378	1 ea.
10	814 x 172 x 55	0 042 386	1 ea.

Fitting systems for organisation at the desk

- ▶ SmarTray Steel tray system with Quadro full extension runner
- ▶ For use on and below desk tops / top panels



Secure storage:

Protect valuables, personal belongings or confidential information from prying eyes – using the stylist SmarTray in steel. Whether in the office or at home: the reliable storage system with integrated lock provides sufficient space for A4 documents, smartphone, tablet, laptop and much more besides. The integrated cable entry makes it possible to recharge electrical devices. SmarTray is available

either in 50 or 75 mm height. And the elegant SmarTray is more than just a small safe: the built in full extension runner with Silent System fascinates with luxurious opening and closing performance. The slimline, elegant housing cuts a fine figure everywhere: in cabinets, below table tops and even on the desk.



Unobtrusive and secure:
the ideal place for valuables and confidential information.



Also at home:
protected, compact storage space that can go anywhere.



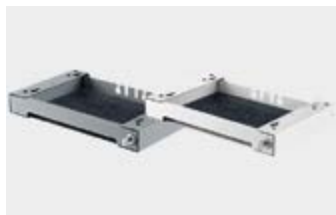
Protected in the bathroom:
the safe place for medicines, jewellery etc.



Standing firm:
the SmarTray with lid can also be used without installing it.

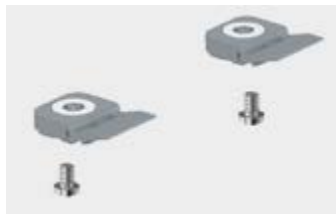
SmarTray range summary

► Range summary / technical comparison



SmarTray Steel

136



SmarTray accessories

137



Technical information

138 - 140

- ▶ **SmarTray Steel tray system with cassette and Quadro full extension runner**
- ▶ **For use on or below desk tops / top panels**

SmarTray Steel, 50 mm, with cassette



- ▶ Tray with Quadro full extension runner and Silent System
- ▶ Powder coated steel
- ▶ Lockable
- ▶ External dimensions (width x depth x height) 379.5 x 235 x 50 mm
- ▶ Internal dimensions (width x depth x height) 310 x 212 x 38 mm
- ▶ Load capacity 6 kg
- ▶ Installation below desk top / top panel or for standing on desk top / top panel
- ▶ Lid set for installing on desk tops / top panels separately available
- ▶ Two tray sets with optional connecting set can be combined to fit one above the other

Set comprises:

- ▶ 1 preassembled tray with cassette
- ▶ 1 cylinder cam lock **with lock barrel and key**
- ▶ With fitted sound absorbing felt inlay in anthracite
- ▶ 4 screws for installing below desk top / top panel
- ▶ Installation instructions with drilling template

Colour	Order no.	PU
anthracite	9 208 294	1 set
white	9 208 293	1 set

SmarTray Steel, 75 mm, with cassette



- ▶ Tray with Quadro full extension runner and Silent System
- ▶ Powder coated steel
- ▶ Lockable
- ▶ External dimensions (width x depth x height) 379.5 x 348 x 75 mm
- ▶ Internal dimensions (width x depth x height) 310 x 323 x 63 mm
- ▶ Load capacity 6 kg
- ▶ Installation below desk top / top panel or for standing on desk top / top panel
- ▶ Lid set for installing on desk tops / top panels separately available
- ▶ Two tray sets with optional connecting set can be combined to fit one above the other

Set comprises:

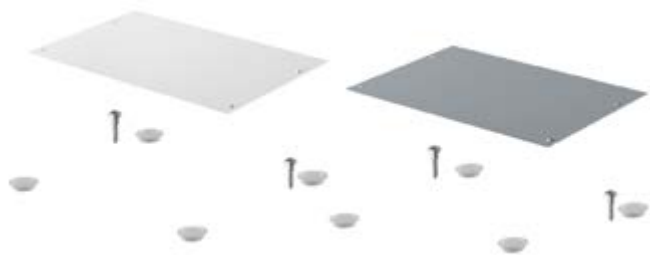
- ▶ 1 preassembled tray with cassette
- ▶ 1 cylinder cam lock **with lock barrel and key**
- ▶ With fitted sound absorbing felt inlay in anthracite
- ▶ 4 screws for installing below desk top / top panel
- ▶ Installation instructions with drilling template

Colour	Order no.	PU
anthracite	9 208 297	1 set
white	9 208 296	1 set

Fitting systems for organisation at the desk

- ▶ SmarTray Steel tray system with cassette and Quadro full extension runner
- ▶ For use on desk tops / top panels

Lid for SmarTray Steel, 50 mm



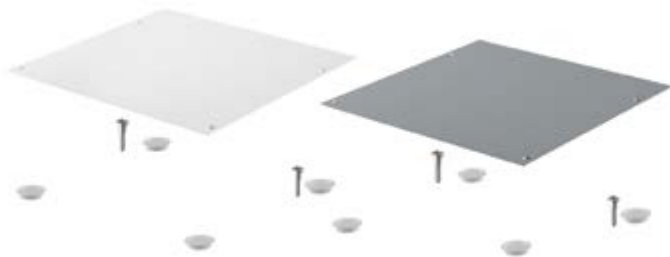
- ▶ Set with lid and feet for standing SmarTray Steel 50 with cassette on desk top / top panel
- ▶ Lid is installed simply by sliding it on
- ▶ Self adhesive feet for easy installation under cassette
- ▶ Soft rubber feet prevent any sliding about on desk top / top panel

Set comprises:

- ▶ 1 steel lid with engagement hook
- ▶ 4 self adhesive soft rubber feet
- ▶ 2 securing screws for attachment to desk top / top panel
- ▶ Installation instructions

Colour	Order no.	PU
white	9 208 308	1 set
anthracite	9 208 309	1 set

Lid for SmarTray Steel, 75 mm



- ▶ Set with lid and feet for standing SmarTray Steel 75 with cassette on desk top / top panel
- ▶ Lid is installed simply by sliding it on
- ▶ Self adhesive feet for easy installation under cassette
- ▶ Soft rubber feet prevent any sliding about on desk top / top panel

Set comprises:

- ▶ 1 steel lid with engagement hook
- ▶ 4 self adhesive soft rubber feet
- ▶ 2 securing screws for attachment to desk top / top panel
- ▶ Installation instructions

Colour	Order no.	PU
white	9 208 310	1 set
anthracite	9 208 311	1 set

Connecting set for SmarTray Steel



- ▶ For securely connecting two SmarTray Steel trays one below the other
- ▶ Installation simply by clipping in and then screwing into place

Set comprises:

- ▶ 4 connecting clips with integrated nut
- ▶ 4 panhead screws
- ▶ Installation instructions

Order no.	PU
9 208 312	1 set

Fitting systems for organisation at the desk

- ▶ SmarTray Steel tray system with Quadro full extension runner
- ▶ Installing SmarTray Steel, 50 / 75 mm, with cassette

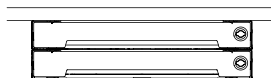
Installing SmarTray Steel, 50 / 75 mm, with cassette

9 208 312

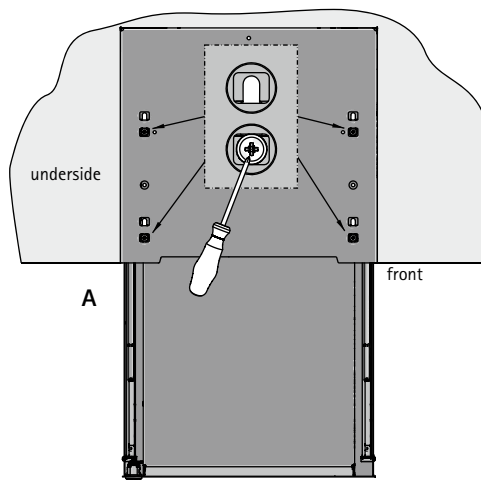
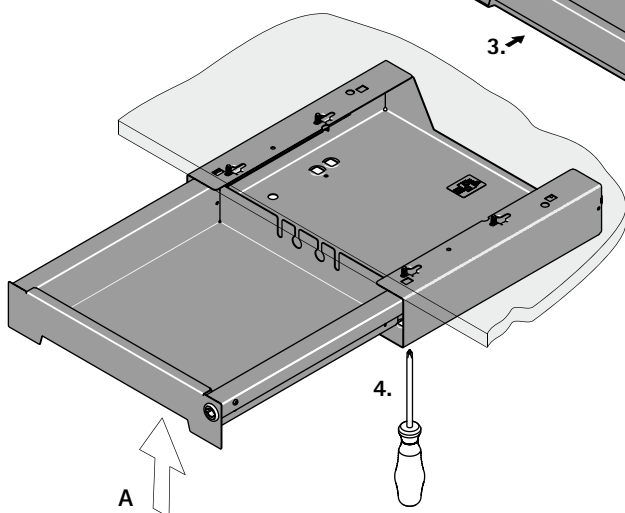
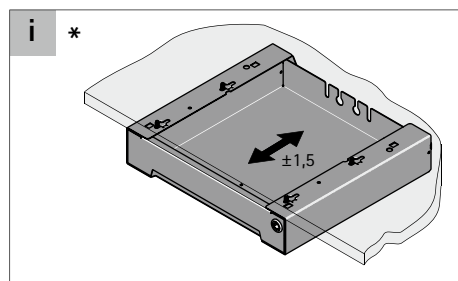
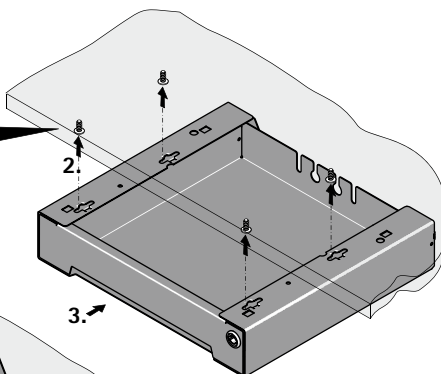
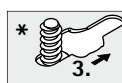
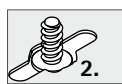
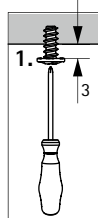


Please note:

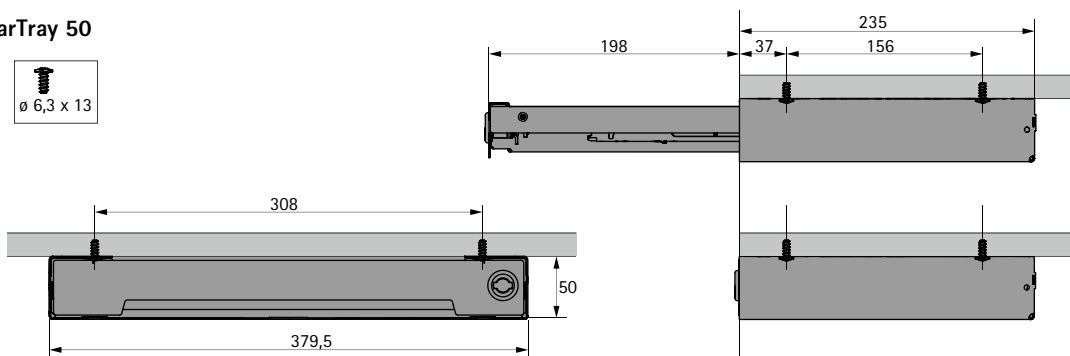
When using the connector set, preassemble the connectors at first



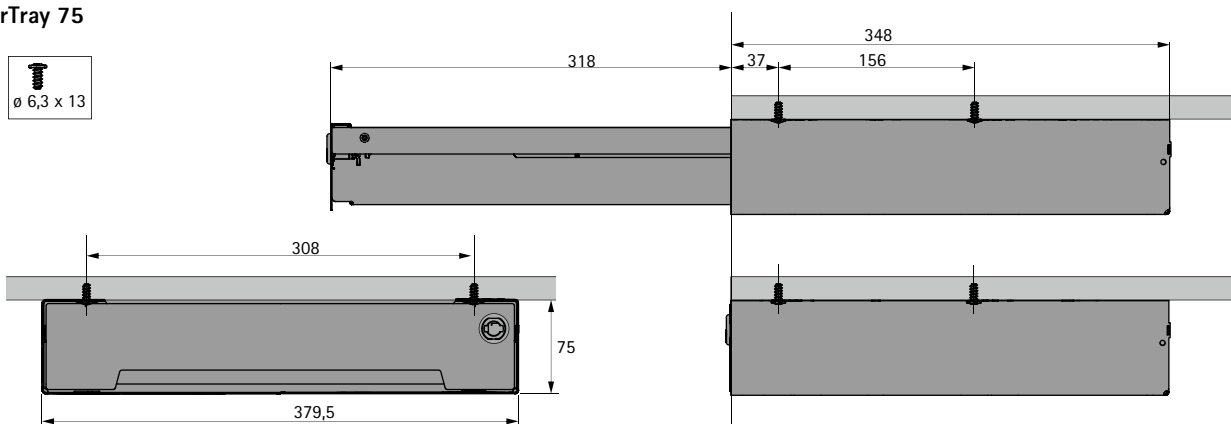
SmarTray 50 / 75



SmarTray 50



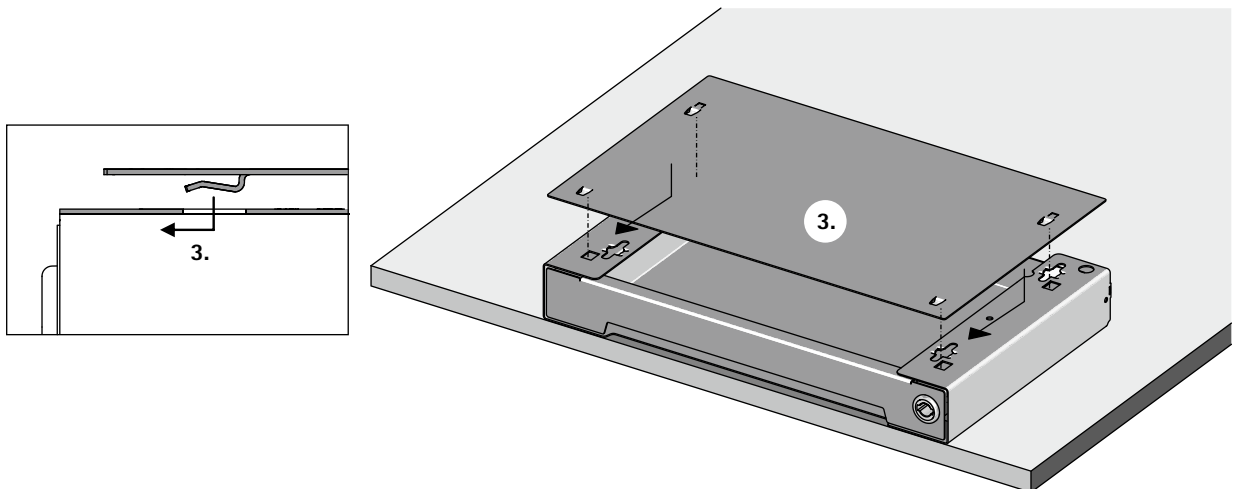
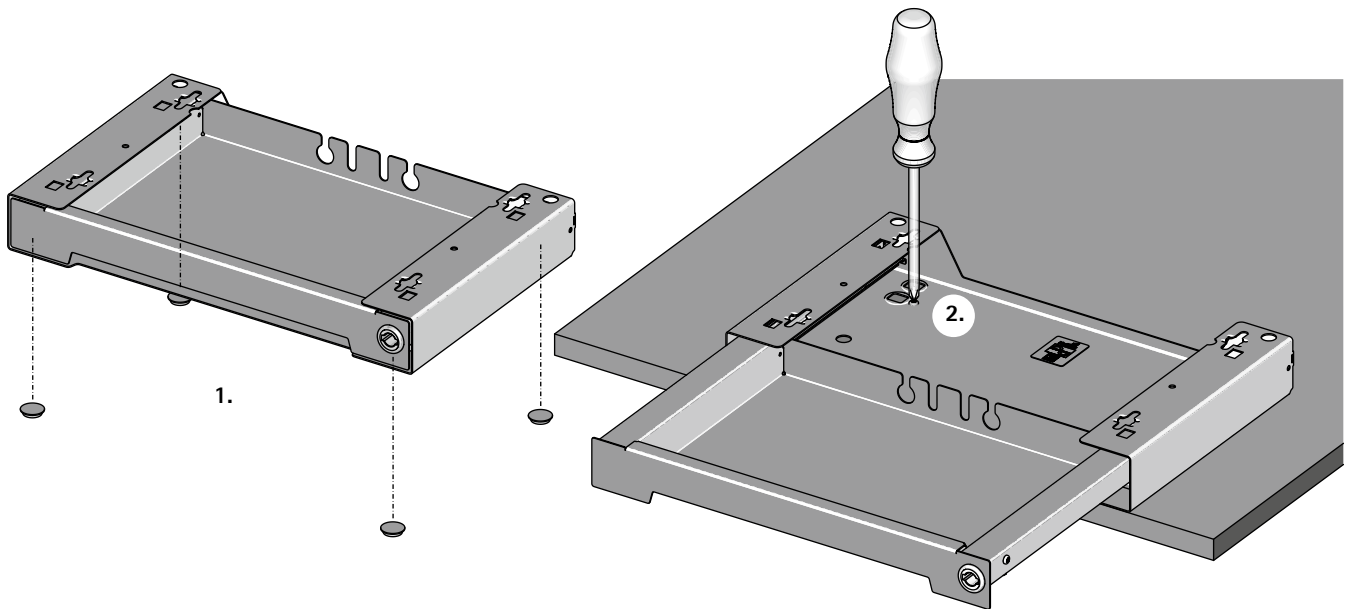
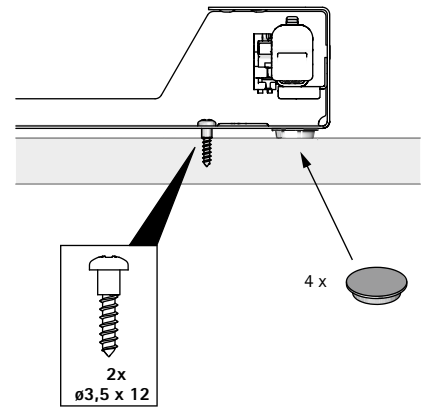
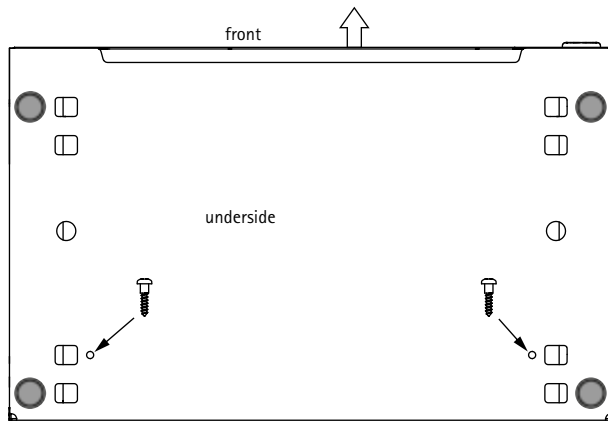
SmarTray 75



Fitting systems for organisation at the desk

- ▶ SmarTray Steel tray system with cassette and Quadro full extension runner
- ▶ Installing lids for SmarTray Steel, 50 / 75 mm, with cassette

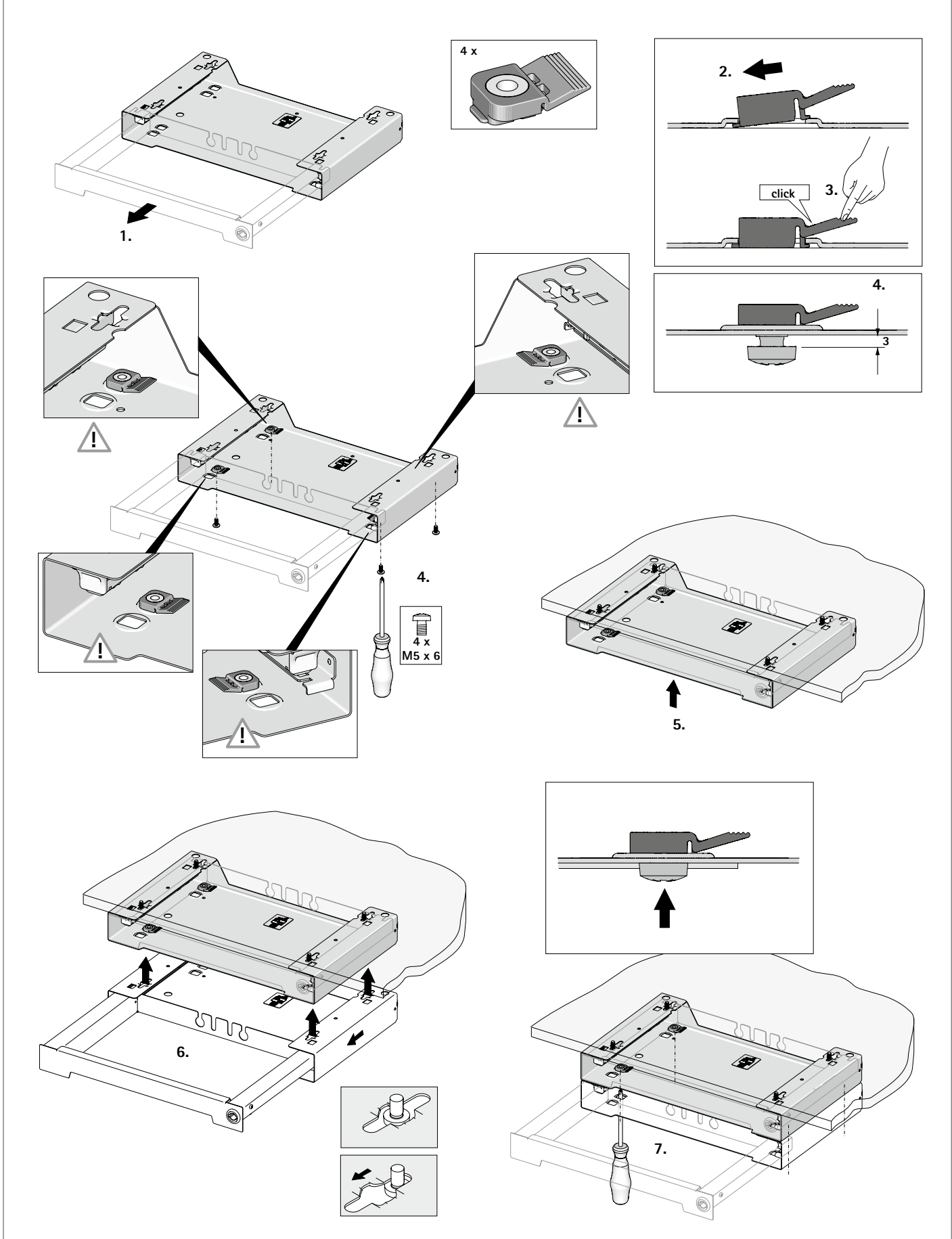
Installing lids for SmarTray Steel, 50 / 75 mm, with cassette

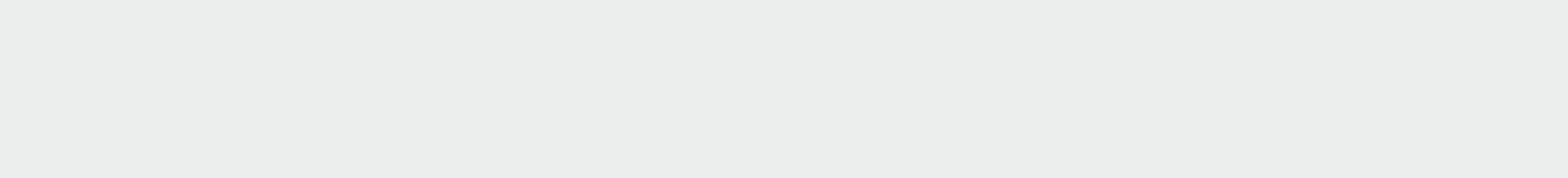


Fitting systems for organisation at the desk

- ▶ SmarTray Steel tray system with cassette and Quadro full extension runner
- ▶ Installing connecting set for SmarTray Steel with cassette

Installing connector for SmarTray Steel with cassette







Garment lifts

143 - 144



Wardrobe rails / wardrobe rail supports

146 - 148



Telescopic trouser holders / tie and belt rack

149



Pull out mirror

150

Laundry basket / Ironing board

151

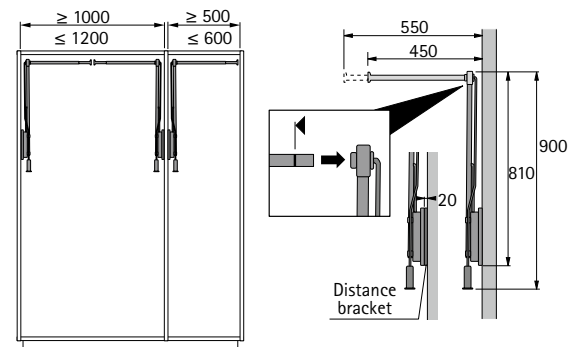
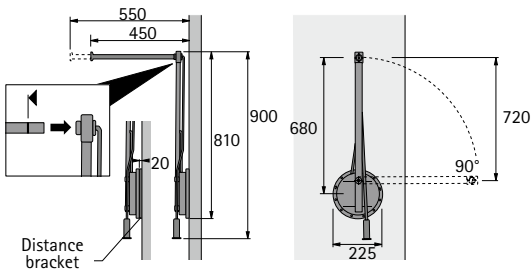
- ▶ Garment lifts
- ▶ Single Lift 12, Duo Lift 20

Single Lift 12



- ▶ Connection on one side
- ▶ Load capacity 12 kg
- ▶ Telescopic width adjustment 100 mm
- ▶ Detent engages when swivelled out into position
- ▶ Garment rail, chrome plated steel
- ▶ Housing, pivot arm and spacer
Plastic / steel, aluminium look

Article	Order no.	PU
Single Lift 12, left	9 079 872	1 ea.
Single Lift 12, right	9 079 874	1 ea.

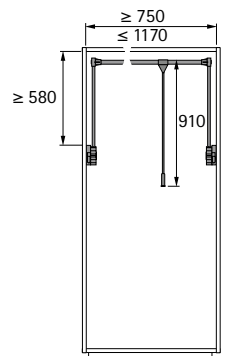
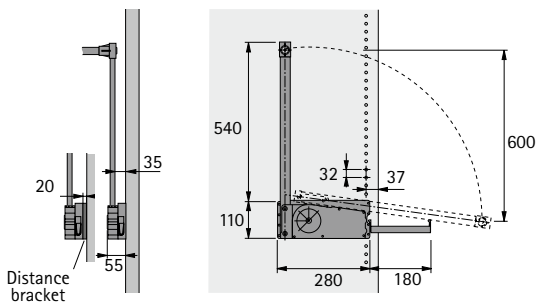


Duo Lift 10



- ▶ Connection on both sides
- ▶ Load capacity 10 kg
- ▶ Telescopic width adjustment for inside carcase widths of 750 - 1170 mm
- ▶ Additional telescopic garment rail integrated in right-hand housing
- ▶ Installation in System 32
- ▶ Garment rail, chrome plated steel
- ▶ Housing, pivot arm and spacer
Plastic / steel, aluminium look

Article	Order no.	PU
Duo Lift 10	9 079 878	1 ea.



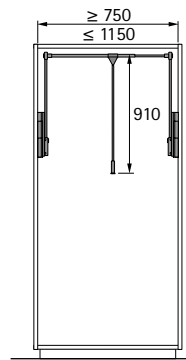
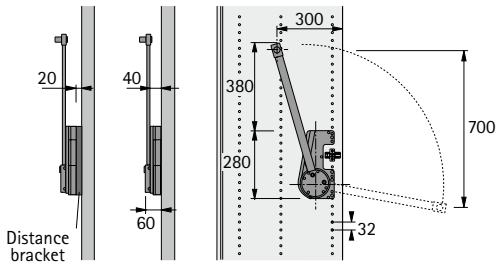
- ▶ Garment lifts
- ▶ Duo Lift 15, Duo Lift 18

Duo Lift 15



- ▶ Connection on both sides
- ▶ Load capacity 15 kg
- ▶ Telescopic width adjustment for inside carcase widths of 750 - 1150 mm
- ▶ Installation in System 32
- ▶ Special spacing in the housing also permits installation in the area of existing door hinges
- ▶ Garment rail, chrome plated steel
- ▶ Housing, pivot arm and spacer
Plastic / steel, aluminium look

Article	Order no.	PU
Duo Lift 15	0 042 507	1 ea.

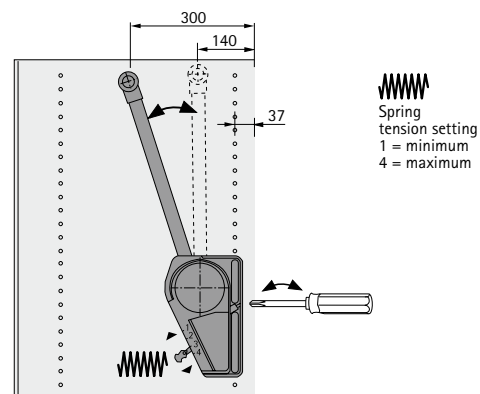
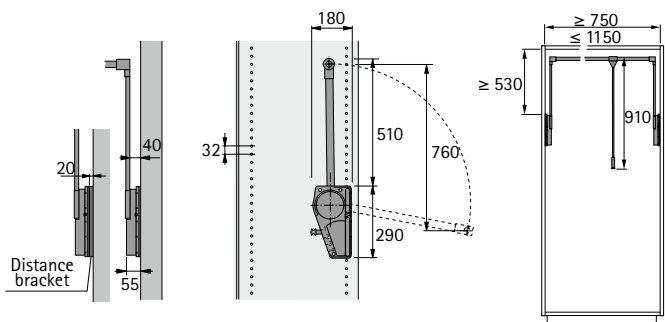


Duo Lift 18



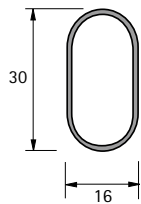
- ▶ Connection on both sides
- ▶ Load capacity 12 - 18 kg
- ▶ Telescopic width adjustment for inside carcase widths of 750 - 1150 mm
- ▶ Installation in System 32
- ▶ Spring force adjustment in 4 stages
- ▶ Garment rail, chrome plated steel
- ▶ Housing, pivot arm and spacer
Plastic / steel, aluminium look

Article	Order no.	PU
Duo Lift 18	9 079 882	1 ea.



▶ Oval wardrobe rails / wardrobe rail supports

Oval wardrobe rail, aluminium clear anodized



- ▶ Oval profile 30 x 16 mm
- ▶ Length 3600 mm
- ▶ Aluminium clear anodized

Order no.	PU
0 048 999	5 ea.

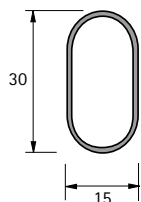
Round wardrobe rail, polished chrome



- ▶ Round profile, diameter 25 mm
- ▶ Length 3600 mm
- ▶ Polished chrome

Order no.	PU
0 049 488	5 ea.

Oval wardrobe rail, nickel plated



- ▶ Length 3000 mm
- ▶ Material 0.6 mm thick
- ▶ Matt nickel plated steel

Order no.	PU
9 002 176	20 ea.

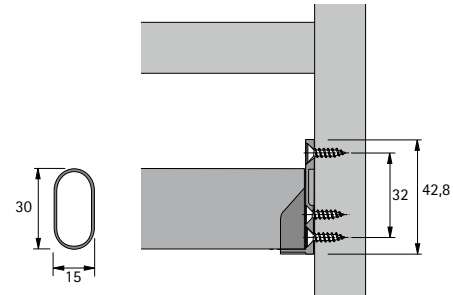
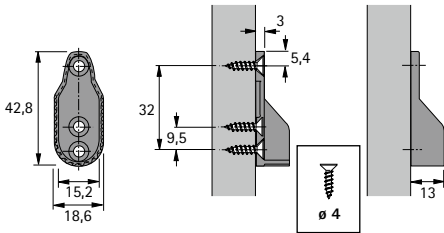
► Oval wardrobe rails / wardrobe rail supports

SL 322 wardrobe rail supports



- For screwing on with 3 screw holes
- Hole spacing 32 mm
- Zinc die-cast nickel plated

Order no.	PU
0 070 664	1/50 ea.



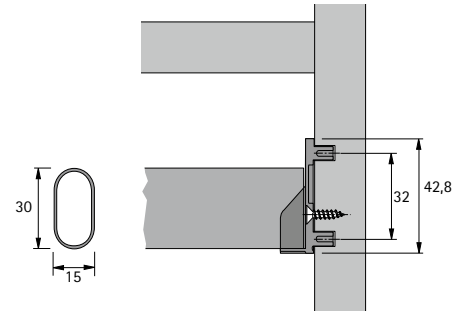
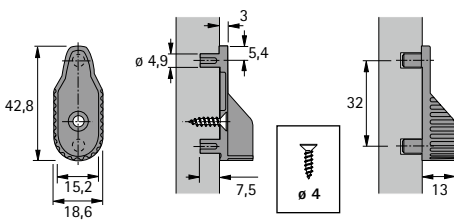
wardrobe rail length = internal cabinet width – 7 mm

SL 323 wardrobe rail supports



- For pressing in with 2 pins for drilling diameter of 5 mm
- Distance between pins 32 mm
- 1 additional screw hole
- Zinc die-cast nickel plated

Order no.	PU
0 070 666	1/50 ea.



wardrobe rail length = internal cabinet width – 7 mm

Interior fittings for wardrobes

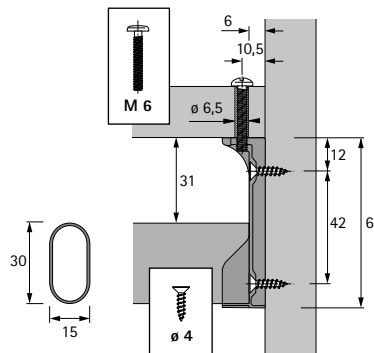
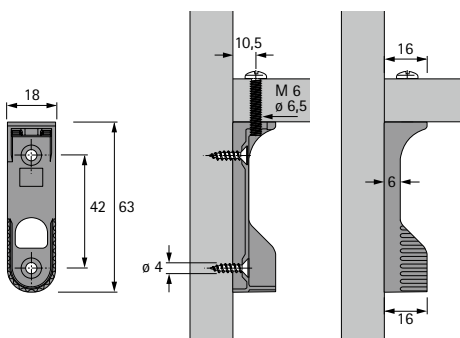
▶ Wardrobe rail supports

SL 786 wardrobe rail supports



- ▶ Screw in below the shelf
- ▶ With special screw M6 x 25 mm for a maximum shelf thickness of 19 mm
- ▶ 2 additional screw holes for attachment at the side
- ▶ Zinc die-cast nickel plated

Order no.	PU
0 070 668	1/50 ea.



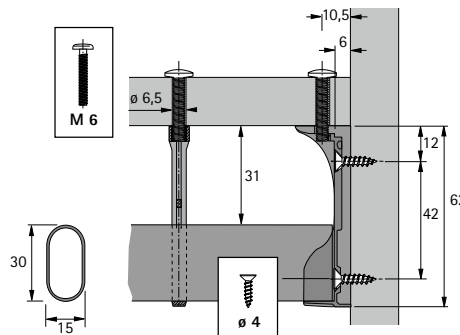
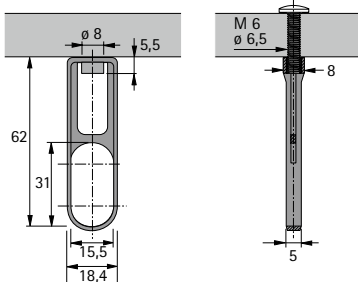
wardrobe rail length = internal cabinet width - 13 mm

SL 781 wardrobe rail center bearing



- ▶ Screw in below the shelf
- ▶ With special screw M6 x 25 mm for a maximum shelf thickness of 19 mm
- ▶ Zinc die-cast nickel plated

Order no.	PU
0 070 676	1/10 ea.



wardrobe rail length = internal cabinet width - 13 mm

End flange round for round tube



- ▶ With 3 holes for screw fixing
- ▶ 2/μk polished chrome

Order no.	PU
0 049 493	50 ea.

Telescopic trouser holder



- ▶ For installation on carcass side
- ▶ Fitting usable right or left
- ▶ With 10 swivelling holders with non-slip coating
- ▶ Width 465 mm
- ▶ Depth 505 mm
- ▶ Height 100 mm
- ▶ Steel, chrome plated / powder coated silver

Order no.	PU
0 073 587	1 ea.

Telescopic tie and belt rack



- ▶ For installation on carcass side
- ▶ Fitting usable right or left
- ▶ Including fixing material and spacer to compensate for door protrusion
- ▶ Chrome plated steel / grey plastic

Article	Width x depth x height mm	Order no.	PU
With 9 non-slip holders and 5 brackets	455 x 74 (without spacer) x 118	0 070 660	1 ea.

► Pull-out mirror

Pull-out and turning mirror



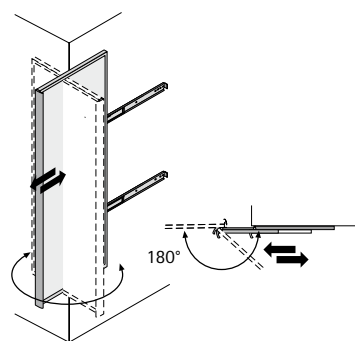
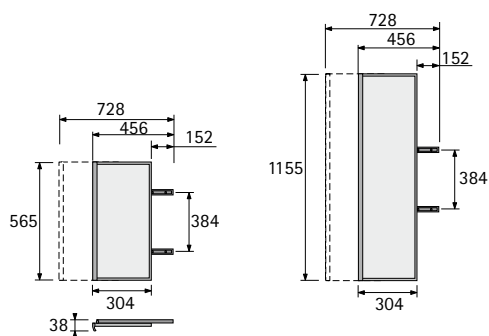
- For installation on carcase side
- Perfectly upgradeable
- Suitable for use on left or right
- With magnetic strip to prevent unintentional opening
- Overall height 38 mm
- Pull-out depth 456 mm
- Frame and handle, aluminium, white

Set comprises:

- 1 mirror
- 1 pull-out

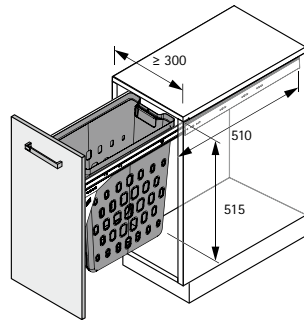
Height mm	White	PU
565	9 132 906	1 set
1155	9 132 907	1 set

Planning dimensions



► Laundry basket / Built in ironing board

Laundry basket 40 litre



- For cabinet width min. 300 mm
- For mounting between carcass sides or under the carcass top
- With KA 4532 ball bearing runner incl. Silent System
- Capacity 40 litres
- Optional bracket for Door Pull option to be ordered separately
- Also available as Handle Pull option (behind hinged doors)
- Frame and pull-out, steel grey
- Laundry basket, plastic white

Set comprises:

- 1 frame with full extension runner
- 1 laundry basket

Order no.	PU
9 237 956	1 set

- Optional door mounting bracket

9 237 957	1 ea.
-----------	-------

Above image depicts Door Pull option

Built-in ironing board



- Installed in base units instead of a drawer
- The ironing board is pulled out of the cabinet on a telescoping extension and automatically swings up to working height
- Heat-resistant ironing board cover
- Worktop overhang 0 - 54 mm
- Minimum internal cabinet dimensions:
Width 360 - 468 mm
Depth 505 mm
Height 100 mm
- Steel, white

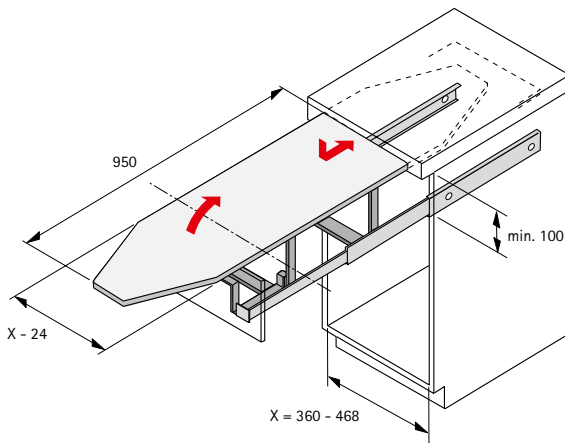
Order no.	PU
0 045 541	1 set.

Set contains:

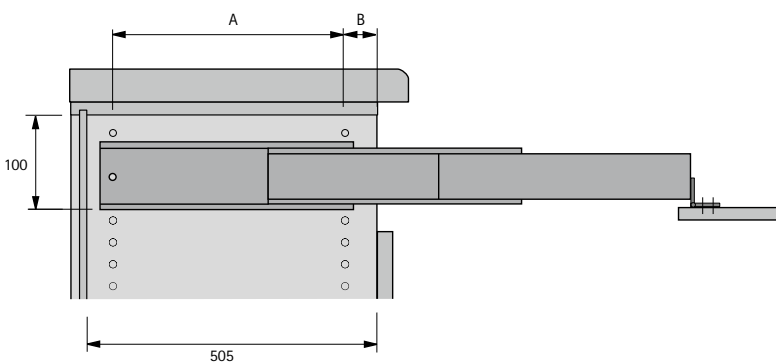
- 1 ironing board complete with cover

Replacement ironing cover

Order no.	PU
0 049 446	1 set.



Size B mm	Size A mm
28	224, 256, 300, 425, 448
37	224, 256, 320, 448



Order number index

Order no.	Page	Order no.	Page	Order no.	Page	Order no.	Page
0 010 921	19	0 046 944	104	0 070 664	146	9 065 860	112
0 013 129	98	0 046 946	104	0 070 666	146	9 065 861	111
0 013 138	96	0 046 982	103	0 070 668	147	9 065 862	112
0 013 223	21	0 047 262	83	0 070 670	80	9 066 464	126
0 013 890	116	0 047 452	104	0 070 671	80	9 066 718	89
0 013 952	77	0 047 609	97	0 070 676	147	9 068 958	61
0 013 962	88	0 048 100	100	0 070 694	125	9 068 961	61
0 016 048	93	0 048 110	101	0 072 053	92	9 068 962	61
0 016 180	96	0 048 130	101	0 072 120	77	9 068 963	61
0 016 181	96	0 048 140	100	0 073 504	115	9 068 964	61
0 020 782	97	0 048 150	100	0 073 505	115	9 068 965	61
0 022 737	96	0 048 230	77	0 073 506	116	9 077 588	110
0 024 832	94	0 048 586	99	0 073 549	125	9 077 601	110
0 025 084	93	0 048 588	99	0 073 587	149	9 077 616	126
0 025 090	96	0 048 590	99	0 073 615	97	9 078 139	28
0 025 091	96	0 048 679	121	0 074 805	97	9 079 575	93
0 025 100	96	0 048 692	104	0 079 389	19	9 079 583	93
0 025 197	94	0 048 698	104	0 079 392	18	9 079 593	20
0 030 125	81	0 048 700	94	0 079 462	88	9 079 595	12
0 040 006	104	0 048 751	77	0 079 665	94	9 079 597	12
0 040 008	104	0 048 752	77	0 086 774	75	9 079 598	12
0 040 145	83	0 048 754	77	0 086 776	75	9 079 599	12
0 040 721	19	0 048 769	77	0 086 778	75	9 079 600	12
0 041 358	66	0 048 935	127	0 086 781	75	9 079 601	9
0 041 359	66	0 048 936	127	0 086 783	75	9 079 601	13
0 041 361	66	0 048 976	81	1 005 508	104	9 079 601	15
0 041 362	66	0 048 977	81	1 019 618	102	9 079 603	10
0 041 363	66	0 048 978	81	1 019 619	102	9 079 605	8
0 041 364	66	0 048 980	82	1 028 024	92	9 079 607	8
0 041 365	66	0 048 981	82	1 054 519	92	9 079 610	8
0 041 393	67	0 048 982	82	1 058 344	73	9 079 614	8
0 041 394	67	0 048 983	82	1 058 345	73	9 079 615	8
0 041 395	67	0 048 984	82	1 058 346	73	9 079 617	14
0 041 396	67	0 048 985	82	1 058 347	73	9 079 618	10
0 041 397	67	0 048 986	82	1 058 348	73	9 079 618	12
0 041 398	67	0 048 987	82	1 058 349	73	9 079 619	10
0 041 657	74	0 048 988	82	1 071 891	60	9 079 619	12
0 041 659	74	0 048 989	82	1 071 893	60	9 079 619	14
0 041 661	74	0 048 990	82	1 071 894	60	9 079 622	10
0 041 663	74	0 048 992	82	1 071 895	60	9 079 622	12
0 041 665	74	0 048 994	82	1 071 896	60	9 079 622	14
0 041 667	74	0 048 999	145	1 071 897	60	9 079 624	8
0 041 669	74	0 049 086	124	1 071 898	60	9 079 624	10
0 041 671	74	0 049 087	124	1 071 899	60	9 079 624	12
0 041 673	74	0 049 235	125	1 071 900	60	9 079 624	14
0 041 675	74	0 049 446	151	1 076 651	98	9 079 626	8
0 041 677	74	0 049 472	130	1 161 457	30	9 079 626	10
0 041 679	74	0 049 473	130	1 161 457	36	9 079 626	12
0 042 363	133	0 049 474	130	1 161 457	38	9 079 626	14
0 042 369	133	0 049 475	130	1 161 836	101	9 079 628	8
0 042 376	133	0 049 476	128	9 000 169	103	9 079 628	10
0 042 378	133	0 049 477	128	9 002 176	145	9 079 628	12
0 042 386	133	0 049 488	145	9 021 847	91	9 079 628	14
0 042 507	144	0 049 493	148	9 022 370	91	9 079 630	8
0 045 027	18	0 063 549	98	9 046 180	88	9 079 630	10
0 045 541	151	0 063 598	98	9 046 182	88	9 079 630	12
0 046 080	95	0 065 501	89	9 047 861	88	9 079 630	14
0 046 642	96	0 065 517	90	9 047 863	88	9 079 632	8
0 046 942	104	0 066 713	104	9 064 890	89	9 079 632	10
0 046 943	104	0 070 660	149	9 065 857	111	9 079 632	12

Order number index

Order no.	Page	Order no.	Page	Order no.	Page	Order no.	Page
9 079 632	14	9 099 125	46	9 118 039	46	9 207 596	118
9 079 635	8	9 100 852	27	9 118 043	46	9 207 598	118
9 079 635	10	9 105 850	33	9 118 044	46	9 207 599	118
9 079 635	12	9 106 449	29	9 118 052	46	9 208 293	136
9 079 635	14	9 109 834	34	9 118 053	46	9 208 294	136
9 079 637	8	9 111 236	50	9 118 054	110	9 208 296	136
9 079 637	10	9 111 238	50	9 118 054	111	9 208 297	136
9 079 637	12	9 111 239	50	9 118 054	112	9 208 308	137
9 079 637	14	9 111 240	50	9 118 055	110	9 208 309	137
9 079 644	8	9 111 241	50	9 118 055	111	9 208 310	137
9 079 644	10	9 111 242	50	9 118 055	112	9 208 311	137
9 079 644	12	9 111 243	50	9 118 058	46	9 208 312	137
9 079 644	14	9 111 244	50	9 118 059	46	9 211 910	38
9 079 645	8	9 113 013	46	9 118 064	46	9 219 966	52
9 079 645	14	9 113 014	46	9 118 065	46	9 221 295	52
9 079 647	8	9 114 271	62	9 125 365	36	9 236 718	52
9 079 650	8	9 114 273	62	9 132 399	118	9 237 953	129
9 079 651	8	9 114 274	62	9 132 400	118	9 237 954	129
9 079 653	13	9 114 275	62	9 132 546	118	9 237 955	129
9 079 653	15	9 114 276	62	9 132 547	118	9 237 956	151
9 079 658	13	9 114 277	62	9 132 548	118	9 237 957	129
9 079 658	15	9 114 278	62	9 132 906	150	9 237 957	129
9 079 664	13	9 114 279	62	9 132 907	150	9 237 957	129
9 079 664	15	9 114 281	64	9 134 769	31	9 237 957	151
9 079 682	108	9 114 282	64	9 135 946	48	9 239 077	104
9 079 709	11	9 114 283	64	9 135 948	48	9 248 523	118
9 079 714	108	9 114 284	64	9 135 949	48	9 248 524	118
9 079 755	109	9 114 285	64	9 135 950	48		
9 079 803	109	9 114 286	64	9 135 952	48		
9 079 804	109	9 114 288	64	9 135 954	48		
9 079 831	121	9 114 289	64	9 135 955	48		
9 079 872	143	9 114 553	63	9 135 956	48		
9 079 874	143	9 114 554	63	9 136 151	117		
9 079 878	143	9 114 555	63	9 136 152	117		
9 079 882	144	9 114 557	63	9 136 153	117		
9 079 944	32	9 114 558	63	9 136 154	117		
9 080 006	115	9 114 559	63	9 144 830	46		
9 080 007	115	9 114 560	63	9 144 830	48		
9 080 011	115	9 114 562	65	9 144 830	50		
9 080 040	120	9 114 580	65	9 144 841	46		
9 080 043	121	9 114 581	65	9 144 841	48		
9 080 157	109	9 114 582	65	9 144 841	50		
9 080 172	108	9 114 583	65	9 145 735	100		
9 082 353	27	9 114 584	65	9 162 130	113		
9 082 356	27	9 114 585	65	9 162 182	131		
9 082 357	27	9 114 586	65	9 162 183	131		
9 082 358	28	9 116 498	90	9 162 184	131		
9 082 360	29	9 117 998	46	9 162 185	131		
9 082 362	29	9 117 999	46	9 162 186	131		
9 082 363	30	9 118 000	46	9 162 187	131		
9 082 364	30	9 118 011	46	9 162 188	131		
9 082 365	32	9 118 019	126	9 162 189	131		
9 084 790	33	9 118 020	126	9 162 190	123		
9 084 794	33	9 118 026	46	9 162 201	123		
9 086 714	31	9 118 027	46	9 162 202	123		
9 097 922	31	9 118 028	46	9 162 203	123		
9 097 923	29	9 118 029	46	9 207 583	117		
9 099 108	46	9 118 030	46	9 207 584	117		
9 099 110	46	9 118 031	46	9 207 585	117		
9 099 124	46	9 118 037	46	9 207 586	117		

Technical information/legal notice

General technical conditions

The fitting information, screw fixing points and load capacity information contained in this catalogue assume proper attachment using screws specified by Hettich to a chipboard panel providing a screw pull out resistance of at least 1,000 N in accordance with EN 320.

Hettich accepts no responsibility for the load capacity of furniture and its components if materials or fastening methods are used other than those stated; the furniture manufacturer must verify load capacity.

The fitting situations shown in this catalogue are only intended to illustrate the possible options.

The furniture manufacturer is responsible for ensuring that furniture is designed in compliance with standards, in particular with regard to meeting the requirements on safety.

We will be pleased to provide any further information you may require.

General Terms of Sale and Delivery

All products and services will be provided exclusively on the basis of our General Terms of Sale and Delivery published on our website at www.hettich-agb.com.

Legal notice

© Hettich Marketing- und Vertriebs GmbH & Co. KG
32602 Vlotho · Germany

July 2019

We reserve all rights to this catalogue under copyright law. It shall not be permissible to duplicate this catalogue in any form either in whole or in part without our written consent. Subject to technical alterations. Errors and omissions excepted. Subject to colour variations.

Order no. 9 270 388

Flap fittings 3 - 22

Easys electromechanical opening system 24 - 40

Drawer runners for wooden drawers 42 - 77

Locking systems 79 - 83

Connecting technology 84 - 105

Interior fitting systems 106 - 151

Order number index 152 - 153

www.hettich.com

Order no.: 9270388
1903-018_Accessories_2019_HNZ/en

Hettich New Zealand
18 Barmac Place
East Tamaki, Auckland
Phone: (64)9274 47036
Free Phone: 0800 438 8424
Fax: (64) 9274 8177
Free Fax: 0800 737 847
sales_nz@hettich.co.nz
Order online: shop.hettich.com
Web: hettich.com

Technik für Möbel


Hettich