



Steel drawer system with wide appeal:
MultiTech

Technik für Möbel


Hettich

Single-walled drawer system MultiTech / MultiTech LS

▶ Summary



Range summary

4 - 5



Assembly aids

23 - 25



Technical information

▶ Planning dimensions

26 - 30 / 36 - 39

▶ Assembly / adjustment / removal

31 - 35

▶ Quality criteria

40

Single-walled drawer system MultiTech / MultiTech LS

As a single-walled MultiTech drawer system, MultiTech from Hettich provides particularly inexpensive solutions for all parts of the home. With a wide range of side profile heights to choose from, you can use MultiTech in a wealth of applications, e.g. for kitchen, bathroom and office furniture. Assembly could hardly be easier and faster.



The choice is yours: MultiTech drawer side profiles come in 5 different heights and 6 different depths.



MultiTech LS - the option for quick and fast drawer assembly.



MultiTech in the office pedestal with organiser for suspended files and locking system.



Drawer-front tilt can be adjusted directly at the railing. A neat solution.

Single-walled drawer system MultiTech / MultiTech LS



No need to go without a feel of luxurious convenience: gentle closing with Silent System now also for MultiTech. Easy to install, even at a later stage – low effort for a great plus in convenience. A single Silent System soft

closing unit is sufficient up to a widths of 900 mm. For wider drawers, just install a second unit. The colour of the activator is coordinated with all other components to permit consistency of design.



MultiTech internal drawers for maximising available storage space.



Plenty of space for large or bulky items – MultiTech with a drawer profile height of 214 mm.



Use the space under the built-in kitchen range effectively – MultiTech with a drawer profile height of 54 mm.



MultiTech drawer system can be used as well in other living areas such as office, wardrobes...

Single-walled drawer system MultiTech / MultiTech LS

► Range summary



Drawer, height 54 mm

6 - 7



Drawer, height 86 mm

8 - 9



Internal drawer, height 86 mm

8 - 9



Drawer, height 118 mm

10 - 11



Internal drawer, height 118 mm

10 - 11



Drawer, height 150 mm

12 - 13



Internal drawer, height 150 mm

12 - 13



Drawer, height 214 mm

14 - 15



Internal drawer, height 214 mm

14 - 15



**Pot-and pan drawer with railing /
crosswise railing**

16



Upgrade set for over extension

17



Silent System soft closure

18

► Range summary



Internal organisation system for drawers

19 - 20



Hanging file frame set / central locking

21



Accessories

22

Single-walled drawer system MultiTech

- ▶ Drawer, 54 mm height
- ▶ Powder-coated steel, white



Components

- 1** Drawer set
 - 2** Drawer front connector for side profile
 - Optional accessories:**
 - 3** Silent System soft closure
- A** Front
B Bottom panel (material thickness 16 mm)
C Wooden rear panel (material thickness 16 mm)

1 Drawer set

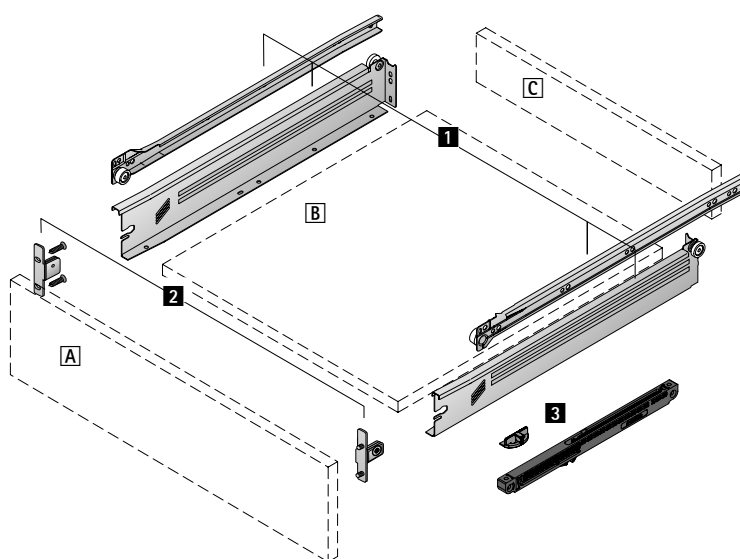
- ▶ 25 kg loading capacity to EN 15338, Level 2

Set comprises:

- ▶ 1 set drawer profile
- ▶ 1 set carcass member, partial extension



Nominal length mm	Order no.	PU
400	9 127 867	10 set
450	9 127 869	10 set
500	9 127 871	10 set



▶ Advice

For technical information, see page 26

- ▶ Drawer, 54 mm height
- ▶ Powder-coated steel, white

2 Drawer front connector for side profile

- ▶ Die-cast zinc nickel-plated



Mounting option	Order no.	PU
Screw-on type	0 079 174	10 pair
Press-in type	0 079 173	10 pair

3 Silent System soft closure

- ▶ Easy to install, even at a later stage
- ▶ For use on the right-hand side, or on both sides in cabinets in widths of 900 mm and over
- ▶ Order 2 sets if used on both sides



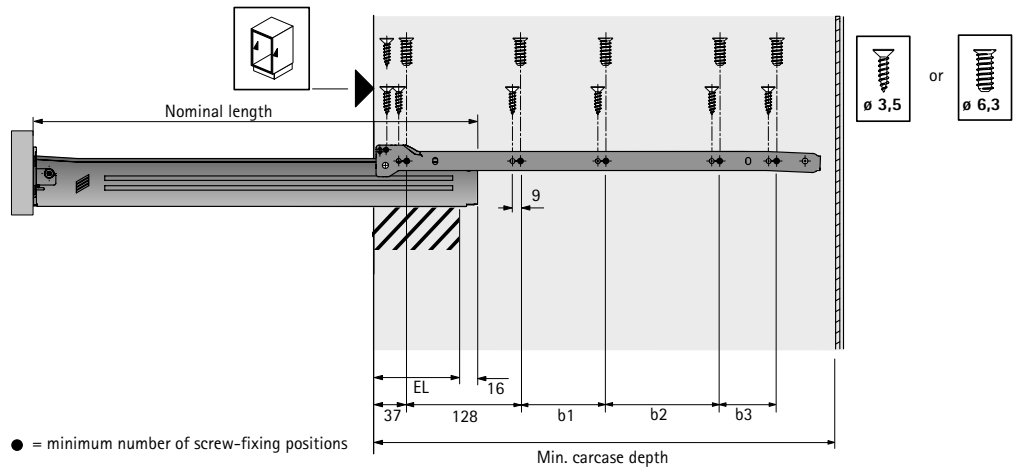
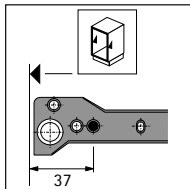
Set comprises:

- ▶ 1 soft-closing unit, grey plastic
- ▶ 1 activator, white plastic
- ▶ 1 activator, grey plastic
- ▶ Fixing material

Order no.	PU
9 137 935	10 set

Lengthwise cross-section

Drawer



Nominal length mm	Hole spacing b1 mm	Hole spacing b2 mm	Hole spacing b3 mm	Extension loss EL mm	Minimum carcass depth drawer mm
400	96	96	32	85	410
450	96	128	32	95	460
500	96	128	64	100	510

Single-walled drawer system MultiTech / MultiTech LS

- ▶ Drawer / internal drawer, 86 mm height
- ▶ Powder-coated steel, white



Components

- 1 Drawer set
 - 2 Front connector for drawer, 2 each
- Optional accessories:**
- 3 Cover cap, 1 set or 2 each
 - 5 Silent System soft closure

Alternatively:

- 4 Front connectors for internal drawer

- A Front
- B Bottom panel (material thickness 16 mm)
- C Rear panel (material thickness 16 mm)
- D Front for internal drawer (material thickness 16 mm)

1 Drawer set

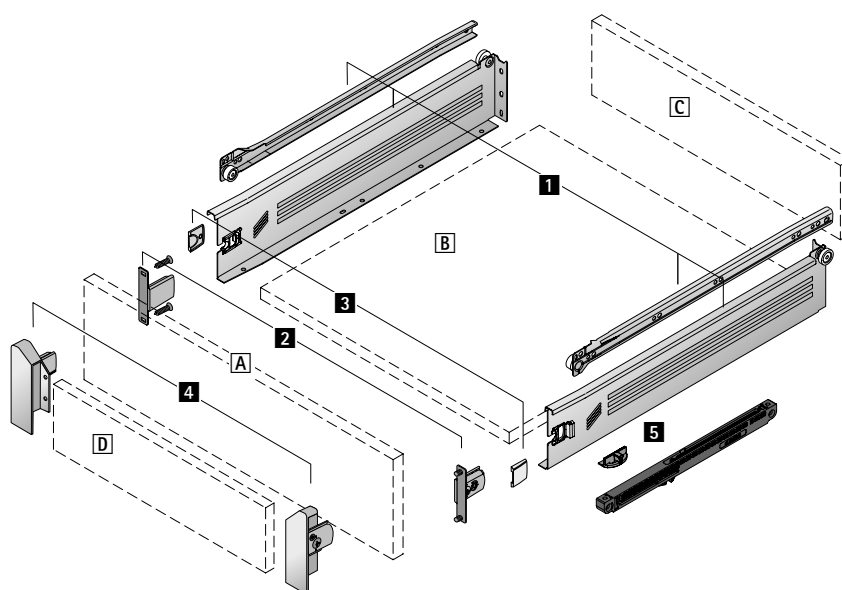
- ▶ 25 kg loading capacity to EN 15338, Level 2

Set comprises:

- ▶ 1 set drawer profile
- ▶ 1 set carcase member, partial extension



Nominal length mm	Order no.		PU
	MultiTech	MultiTech LS	
250	9 127 875	9 127 927	10 set
350	9 127 879	9 127 931	10 set
400	9 127 881	9 127 933	10 set
450	9 127 883	9 127 935	10 set
500	9 127 885	9 127 937	10 set
550	9 127 887	9 127 939	10 set



▶ Advice

For technical information, see page 27

- ▶ Drawer / internal drawer, 86 mm height
- ▶ Powder-coated steel, white

2 Drawer front connector for side profile

- ▶ Steel nickel-plated



Mounting option	Order no.	PU
Screw-on type	0 054 997	20 ea.
Press-in type	0 054 998	20 ea.
With expanding socket	0 051 477	20 ea.

3 Cover cap

- ▶ Plastic



Finish	Order no.	PU
White with Hettich logo	9 096 745	10 set
White	0 046 096	20 ea.

4 Front connectors for internal drawer

- ▶ Plastic



Order no.	PU
0 051 487	10 set

5 Silent System soft closure

- ▶ Easy to install, even at a later stage
- ▶ For use on the right-hand side, or on both sides in cabinets in widths of 900 mm and over
- ▶ Order 2 sets if used on both sides

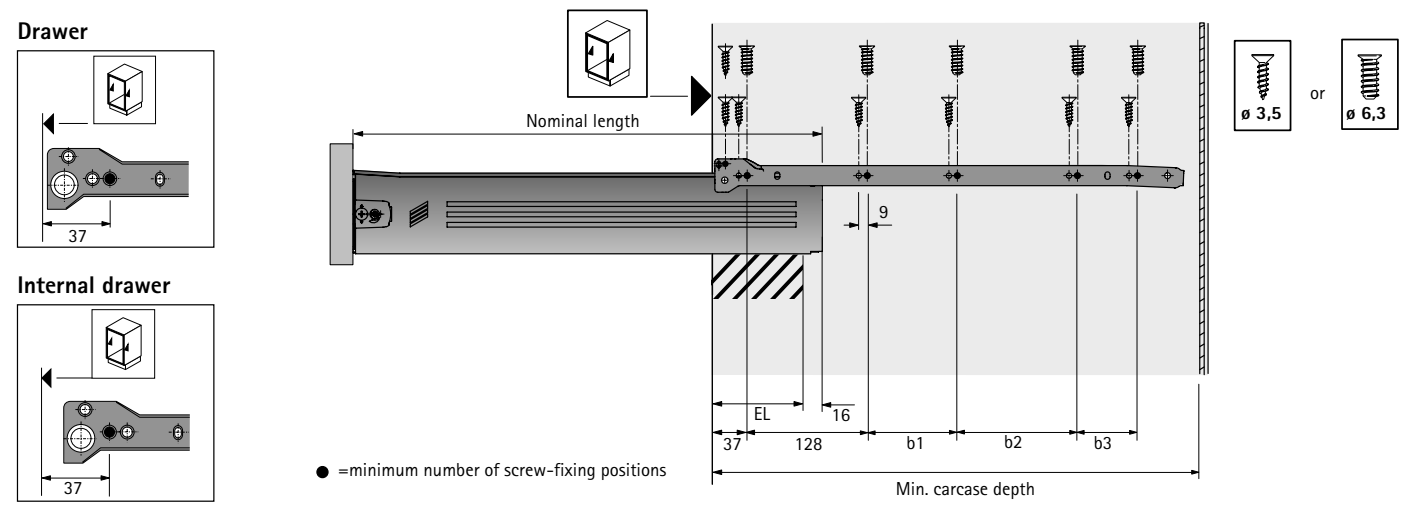


Set comprises:

- ▶ 1 soft-closing unit, grey plastic
- ▶ 1 activator, white plastic
- ▶ 1 activator, grey plastic
- ▶ Fixing material

Order no.	PU
9 137 935	10 set

Lengthwise cross-section



Nominal length mm	Hole spacing b1 mm	Hole spacing b2 mm	Hole spacing b3 mm	Extension loss EL mm	Minimum carcass depth drawer mm	Minimum carcass depth internal drawer mm
250	64			85	260	269
350	96	64		85	360	369
400	96	96	32	85	410	419
450	96	128	32	95	460	469
500	96	128	64	100	510	519
550	96	128	128	110	560	569

Single-walled drawer system MultiTech / MultiTech LS

- ▶ Drawer / internal drawer, 118 mm height
- ▶ Powder-coated steel, white



Components

- 1 Drawer set
 - 2 Front connector for drawer, 2 each
- Optional accessories:**
- 3 Cover cap, 1 set or 2 each
 - 5 Silent System soft closure

Alternatively:

- 4 Front connectors for internal drawer

- A Front
- B Bottom panel (material thickness 16 mm)
- C Rear panel (material thickness 16 mm)
- D Front for internal drawer (material thickness 16 mm)

1 Drawer set

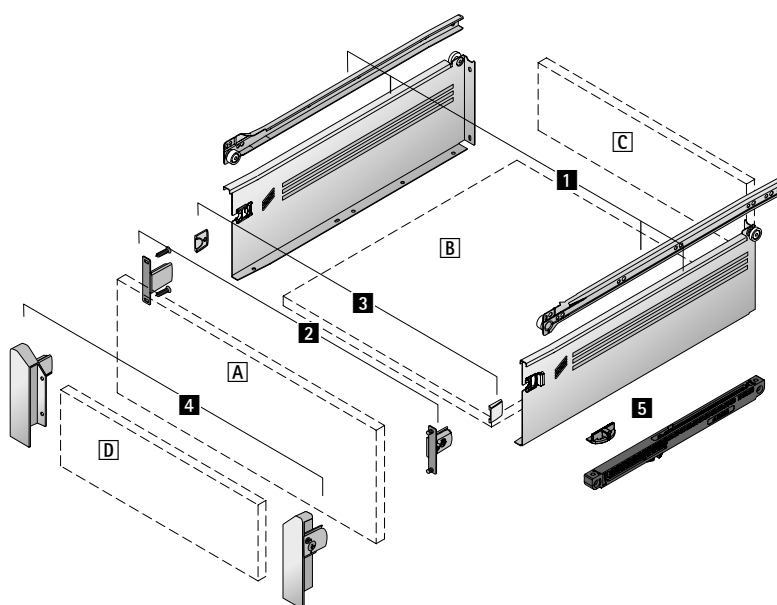
- ▶ 25 kg loading capacity to EN 15338, Level 2

Set comprises:

- ▶ 1 set drawer profile
- ▶ 1 set carcass member, partial extension



Nominal length mm	Order no.		PU
	MultiTech	MultiTech LS	
250	9 127 889	9 127 941	10 set
350	9 127 893	9 127 945	10 set
400	9 127 895	9 127 947	10 set
450	9 127 897	9 127 949	10 set
500	9 127 899	9 127 951	10 set
550	9 127 901	9 127 953	10 set



▶ Advice

For technical information, see page 28

- ▶ Drawer / internal drawer, 118 mm height
- ▶ Powder-coated steel, white

2 Front connector

- ▶ Steel nickel-plated



Mounting option	Order no.	PU
Screw-on type	0 054 997	20 ea.
Press-in type	0 054 998	20 ea.
With expanding socket	0 051 477	20 ea.

3 Cover cap

- ▶ Plastic



Finish	Order no.	PU
White with Hettich logo	9 096 745	10 set
White	0 046 096	20 ea.

4 Front connectors for internal drawer

- ▶ Plastic



Order no.	PU
0 051 489	10 set

5 Silent System soft closure

- ▶ Easy to install, even at a later stage
- ▶ For use on the right-hand side, or on both sides in cabinets in widths of 900 mm and over
- ▶ Order 2 sets if used on both sides

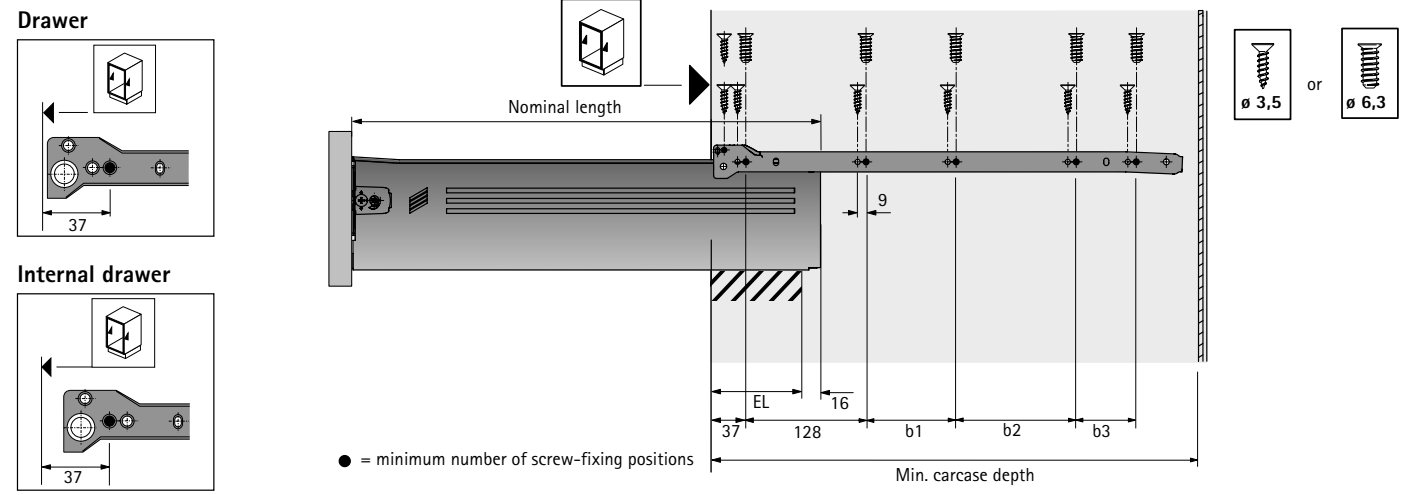


Set comprises:

- ▶ 1 soft-closing unit, grey plastic
- ▶ 1 activator, white plastic
- ▶ 1 activator, grey plastic
- ▶ Fixing material

Order no.	PU
9 137 935	10 set

Lengthwise cross-section



Nominal length mm	Hole spacing b1 mm	Hole spacing b2 mm	Hole spacing b3 mm	Extension loss EL mm	Minimum carcass depth drawer mm	Minimum carcass depth internal drawer mm
250	64			85	260	269
350	96	64		85	360	369
400	96	96	32	85	410	419
450	96	128	32	95	460	469
500	96	128	64	100	510	519
550	96	128	128	110	560	569

Single-walled drawer system MultiTech / MultiTech LS

- ▶ Drawer / internal drawer, 150 mm height
- ▶ Powder-coated steel, white



Components

- 1 Drawer set
 - 2 Front connector for drawer, 2 each
- Optional accessories:**
- 3 Cover cap, 1 set or 2 each
 - 5 Silent System soft closure

Alternatively:

- 4 Front connectors for internal drawer

- A Front
- B Bottom panel (material thickness 16 mm)
- C Rear panel (material thickness 16 mm)
- D Front for internal drawer (material thickness 16 mm)

1 Drawer set

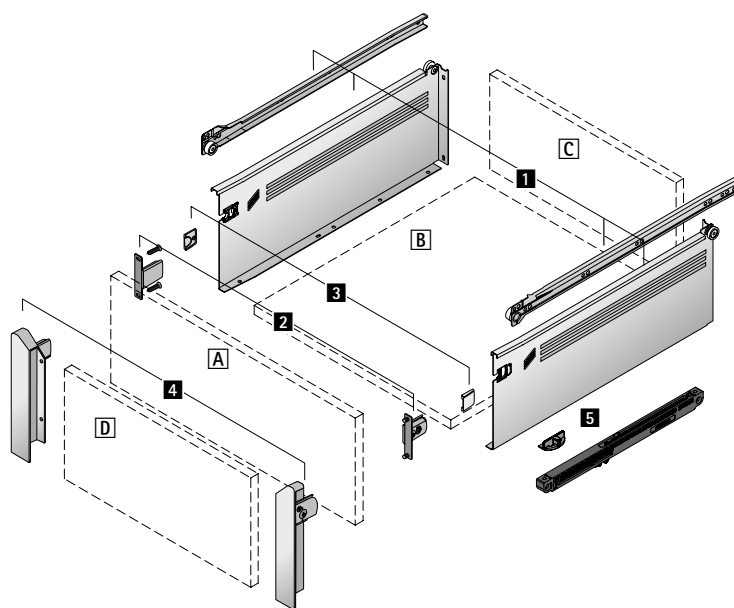
- ▶ 25 kg loading capacity to EN 15338, Level 2

Set comprises:

- ▶ 1 set drawer profile
- ▶ 1 set carcass member, partial extension



Nominal length mm	Order no.		PU
	MultiTech	MultiTech LS	
250	9 127 903		10 set
350	9 127 907	9 127 959	10 set
400	9 127 909	9 127 961	10 set
450	9 127 911	9 127 963	10 set
500	9 127 913	9 127 965	10 set
550	9 127 915	9 127 967	10 set



▶ Advice

For technical information, see page 29

- ▶ Drawer / internal drawer, 150 mm height
- ▶ Powder-coated steel, white

2 Drawer front connector for side profile

- ▶ Steel nickel-plated



Mounting option	Order no.	PU
Screw-on type	0 054 997	20 ea.
Press-in type	0 054 998	20 ea.
With expanding socket	0 051 477	20 ea.

3 Cover cap

- ▶ Plastic



Finish	Order no.	PU
White with Hettich logo	9 096 745	10 set
White	0 046 096	20 ea.

4 Front connectors for internal drawer

- ▶ Plastic



Order no.	PU
0 051 491	10 set

5 Silent System soft closure

- ▶ Easy to install, even at a later stage
- ▶ For use on the right-hand side, or on both sides in cabinets in widths of 900 mm and over
- ▶ Order 2 sets if used on both sides

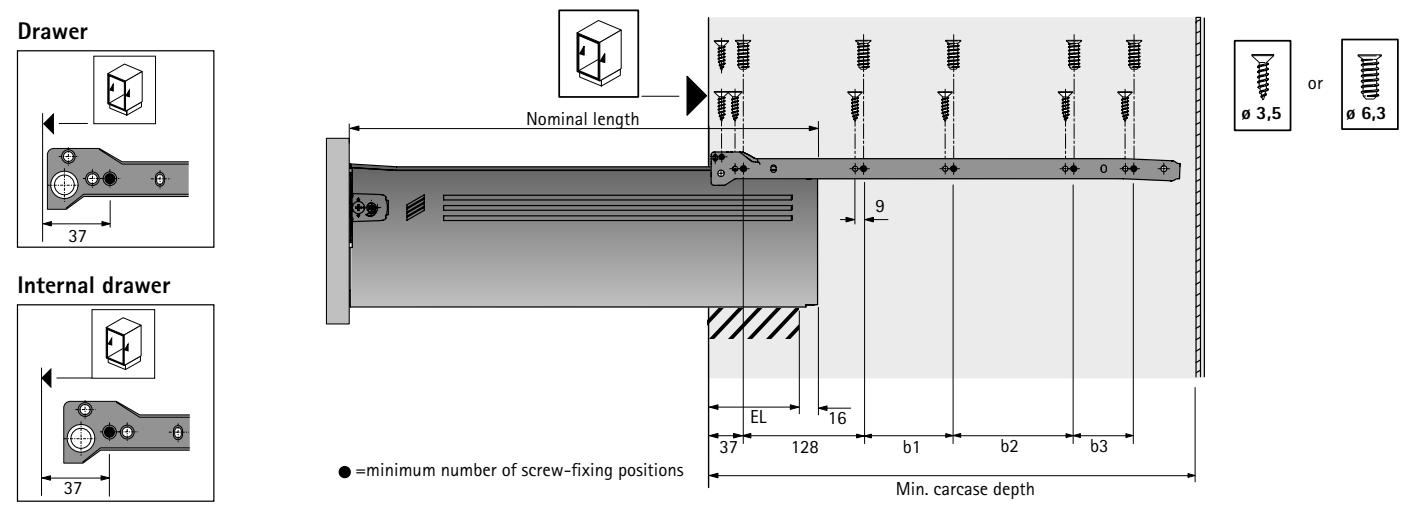


Set comprises:

- ▶ 1 soft-closing unit, grey plastic
- ▶ 1 activator, white plastic
- ▶ 1 activator, grey plastic
- ▶ Fixing material

Order no.	PU
9 137 935	10 set

Lengthwise cross-section



Nominal length mm	Hole spacing b1 mm	Hole spacing b2 mm	Hole spacing b3 mm	Extension loss EL mm	Minimum carcass depth drawer mm	Minimum carcass depth internal drawer mm
250	64			85	260	269
350	96	64		85	360	369
400	96	96	32	85	410	419
450	96	128	32	95	460	469
500	96	128	64	100	510	519
550	96	128	128	110	560	569

Single-walled drawer system MultiTech / MultiTech LS

- ▶ Drawer, 214 mm height
- ▶ Powder-coated steel, white



Components

- 1 Drawer set
 - 2 Front connector for drawer, 2 each
- Optional accessories:**
- 3 Cover cap, 1 set or 2 each
 - 5 Silent System soft closure

Alternatively:

- 4 Front connectors for internal drawer

- A Front
- B Bottom panel (material thickness 16 mm)
- C Rear panel (material thickness 16 mm)
- D Front for internal drawer (material thickness 16 mm)

1 Drawer set

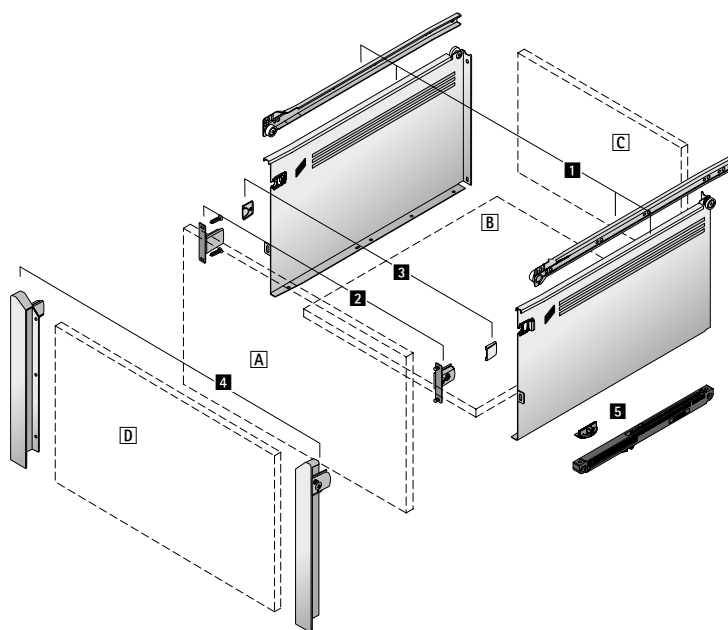
- ▶ 25 kg loading capacity to EN 15338, Level 2

Set comprises:

- ▶ 1 set drawer profile
- ▶ 1 set carcass member, partial extension



Nominal length mm	Order no.		PU
	MultiTech	MultiTech LS	
350	9 127 917		5 set
400	9 127 919	9 127 971	5 set
450	9 127 921	9 127 973	5 set
500	9 127 923	9 127 975	5 set
550	9 127 925		5 set



▶ Advice

For technical information, see page 30

- ▶ Drawer, 214 mm height
- ▶ Powder-coated steel, white

2 Drawer front connector for side profile

- ▶ Steel nickel-plated



Mounting option	Order no.	PU
Screw-on type	0 054 997	20 ea.
Press-in type	0 054 998	20 ea.
With expanding socket	0 051 477	20 ea.

3 Cover cap

- ▶ Plastic



Finish	Order no.	PU
White with Hettich logo	9 096 745	10 set
White	0 046 096	20 ea.

4 Front connectors for internal drawer

- ▶ Plastic



Order no.	PU
9 157 395	10 set

5 Silent System soft closure

- ▶ Easy to install, even at a later stage
- ▶ For use on the right-hand side, or on both sides in cabinets in widths of 900 mm and over
- ▶ Order 2 sets if used on both sides

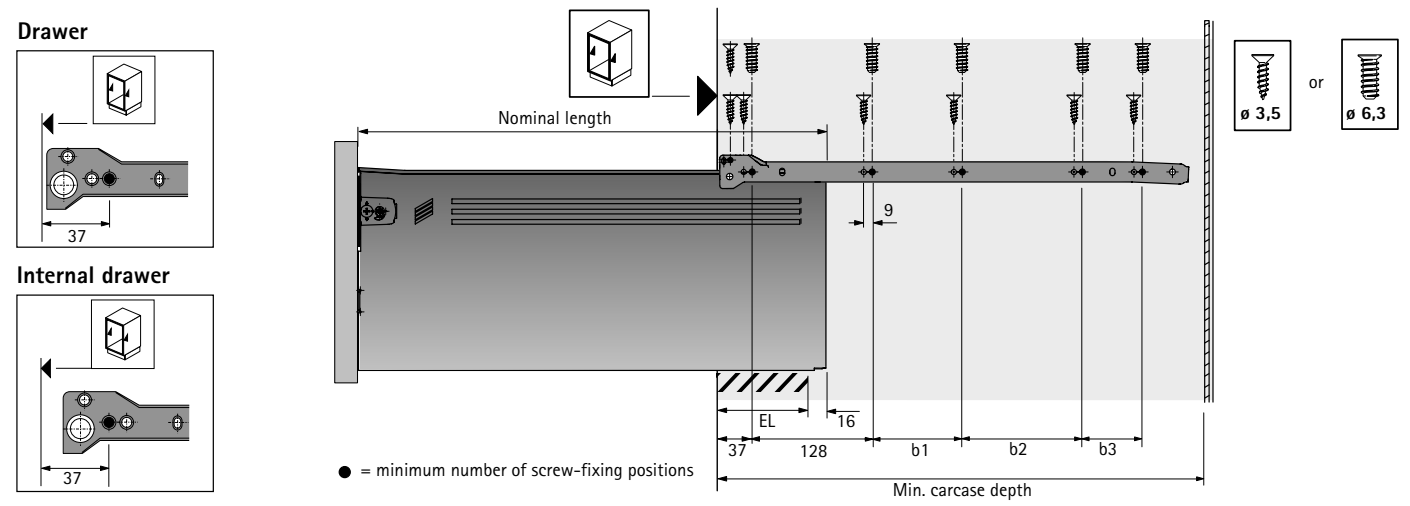


Set comprises:

- ▶ 1 soft-closing unit, grey plastic
- ▶ 1 activator, white plastic
- ▶ 1 activator, grey plastic
- ▶ Fixing material

Order no.	PU
9 137 935	10 set

Lengthwise cross-section



Nominal length mm	Hole spacing b1 mm	Hole spacing b2 mm	Hole spacing b3 mm	Extension loss EL mm	Minimum carcass depth drawer mm	Minimum carcass depth internal drawer mm
350	96	64		85	360	369
400	96	96	32	85	410	419
450	96	128	32	95	460	469
500	96	128	64	100	510	519
550	96	128	128	110	560	569

- ▶ Pot-and-pan drawer with railing / crosswise railing
- ▶ Powder-coated steel, white

- ▶ Drawer sets in heights of 86, 118 and 150 mm can be combined with the railing set for pot-and-pan drawers



Components

1 Lengthwise railing

Optional:

- 2 Crosswise railing
- 3 Mount for crosswise railing, 2 each

1 Lengthwise railing

Set comprises:

- ▶ 2 railing bars
- ▶ 2 front connectors with expanding dowel



Nominal length mm	Order no.	PU
350	0 051 421	10 set
400	0 051 426	10 set
450	0 051 481	10 set
500	0 051 483	10 set
550	0 051 485	10 set

2 Crosswise railing

- ▶ For cutting to size
- ▶ Length 1100 mm



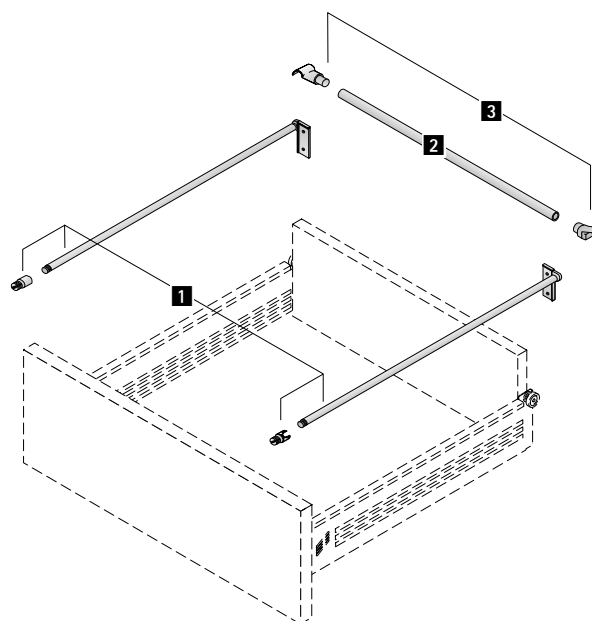
Order no.	PU
9 081 054	5 ea.

3 Mount for crosswise railing

- ▶ Plastic



Order no.	PU
9 078 355	40 ea.



▶ Advice

For technical information, see page 35

- ▶ Upgrade set for over extension
- ▶ Powder-coated steel, white



- ▶ Drawer sets in heights of 86, 118, 150 and 214 mm can be upgraded into over-extending drawers using this set
- ▶ The carcass rails supplied with the drawer set must be replaced with the rails provided in the upgrade set

Components

- 1 Upgrade set for over extension

1 Upgrade set for over extension

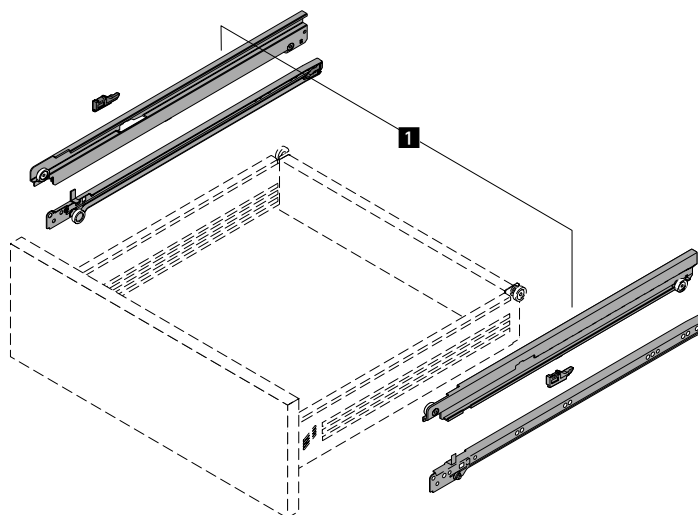
- ▶ 30 kg loading capacity to EN 15338, Level 2

Set comprises:

- ▶ 1 set carcass member
- ▶ 1 set centre profile
- ▶ 1 set safety device to prevent unhinging



Nominal length mm	Order no.	PU
350	0 051 478	10 set
400	0 051 409	10 set
450	0 051 411	10 set
500	0 051 413	10 set
550	0 051 415	10 set



▶ Advice

For technical information, see page 36

▶ Silent System soft closure



- ▶ Easy to install, even at a later stage
- ▶ For use on the right-hand side, or on both sides in cabinets in widths of 900 mm and over

Components

- 1 Silent System soft closure

1 Silent System soft closure

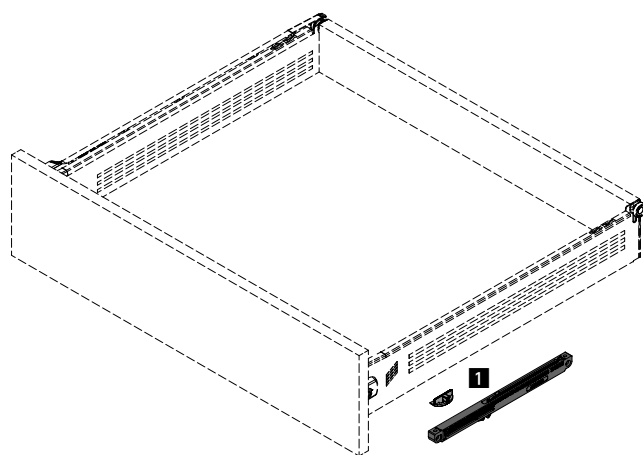
- ▶ Order 2 sets if used on both sides

Set comprises:

- ▶ 1 soft-closing unit, grey plastic
- ▶ 1 activator, white plastic
- ▶ 1 activator, grey plastic
- ▶ Fixing material



Order no.	PU
9 137 935	10 set



▶ Advice

For technical information, see page 37

► Internal organisation for drawers



- Variable in width
- For nominal lengths of 450 and 500 mm
- White plastic

OrgaTray 650

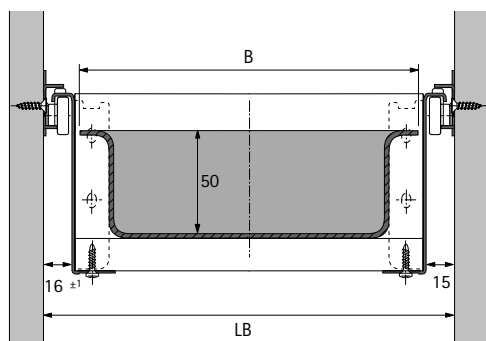
Nominal width mm	Width mm	Order no.	PU
300	200 - 240	0 044 924	10 ea.
350	250 - 290	0 044 923	10 ea.
400	300 - 340	0 044 922	10 ea.
450	350 - 390	0 044 921	10 ea.
500	400 - 440	0 044 919	10 ea.
600	500 - 540	0 044 918	10 ea.

Partitioning

D						
433						
483						
W	200 - 240	250 - 290	300 - 340	350 - 390	400 - 440	500 - 540
NB	300	350	400	450	500	600

D = Depth W = Width NB = Nominal width

Dimensions for cutting to size



- Trimmed width (B) = LB - 31
- Trimmed depth = Nominal length - 17 (for 16 mm rear panel)

Single-walled drawer system MultiTech / MultiTech LS

► Internal organisation for drawers

Cutlery trays for drawers with timber backs



Cabinet overall size 16 mm side panels mm	Drawer length mm	Cutlery insert depth x width mm	Style	Order no.	PU
400	450	431 x 335	Standard	0 048 749	20 ea.
400	500	481 x 335	Standard	0 048 751	20 ea.
450	500	481 x 385	Diagonal	0 048 752	20 ea.
600	500	481 x 535	Standard	0 048 754	20 ea.

Cutlery trays cut to size to suit individual drawer depth / width



Depth x width mm	Can be trimmed to mm	Order no.	PU
434 x 434	315 x 315	0 048 769	25 ea.

Cutlery trays cut to size to suit individual drawer depth / width



Depth x width mm	Can be trimmed to mm	Order no.	PU
490 x 434	324 x 363	0 048 230	25 ea.

Cutlery trays cut to size to suit individual drawer depth / width



Depth x width mm	Style	Order no.	PU
372 x 372	Standard	0 048 761	20 ea.
400 x 400	Standard	0 048 762	20 ea.
482 x 532	Standard	0 048 763	20 ea.

Single-walled drawer system MultiTech / MultiTech LS

▶ Hanging file frame set / central locking



- ▶ MultiTech drawer sets with side profile heights of 86, 118 and 150 mm can be used with the hanging file frame set for office applications.
- ▶ For drawer lengths of 400, 450, 500 and 550 mm

Components

1 Hanging file frame set

Optional:

- 2 Locking bar
- 3 Locking stop or locking device
- 4 Cylinder cam lock

1 Hanging file frame set

Set comprises:

- ▶ 2 file cradle profiles, steel nickel-plated
- ▶ 4 adapters for file frame profiles, left / right, grey plastic



Nominal length mm	Order no.	PU
400	0 051 495	1 set
450	0 051 497	1 set
500	0 051 499	1 set
550	0 051 501	1 set

2 Locking bar

Set comprises:

- ▶ 1 locking bar, length 1000 mm
- ▶ 5 adjustable pins for up to 5 drawer sets
- ▶ 1 bar guide



Order no.	PU
0 051 500	1 set

3 Locking stop

- ▶ Locking only
- ▶ Plastic grey



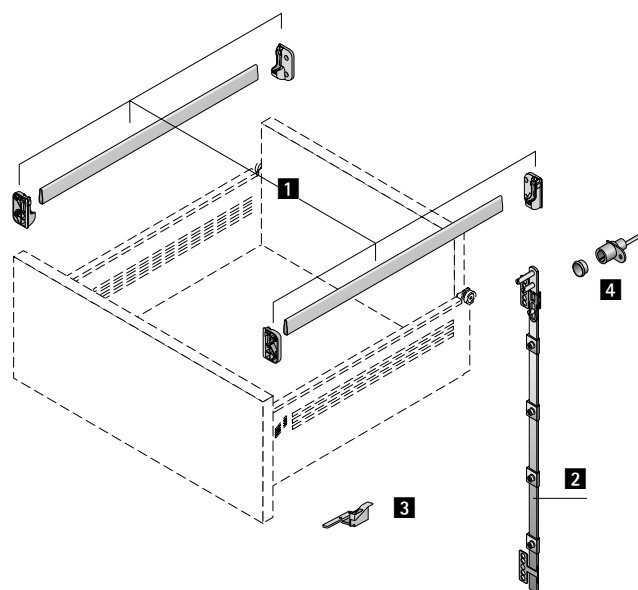
Order no.	PU
0 051 496	10 ea.

4 Cylinder cam lock

- ▶ Diameter: 18 mm
- ▶ Including rosette
- ▶ Barrel cylinder must be ordered separately



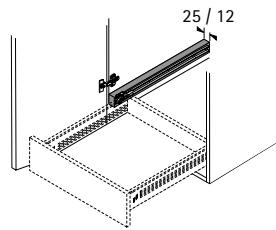
Order no.	PU
0 013 337	1 ea.



▶ Advice

For technical information, see page 38

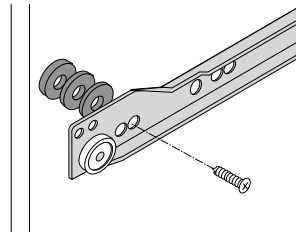
Spacer profiles



- For bridging the door / hinge protrusion
- Plastic white

Width x depth x height mm	Order no.	PU
25 x 484 x 49	0 013 952	1 ea.
12 x 484 x 49	9 115 956	1 ea.

Spacer discs



- For bridging the door / hinge protrusion
- To span greater distances, several spacer discs can be clipped together
- Plastic white

Distance mm	Order no.	PU
3.0	0 033 681	100 ea.
4.0	0 033 682	100 ea.
5.0	0 033 683	100 ea.

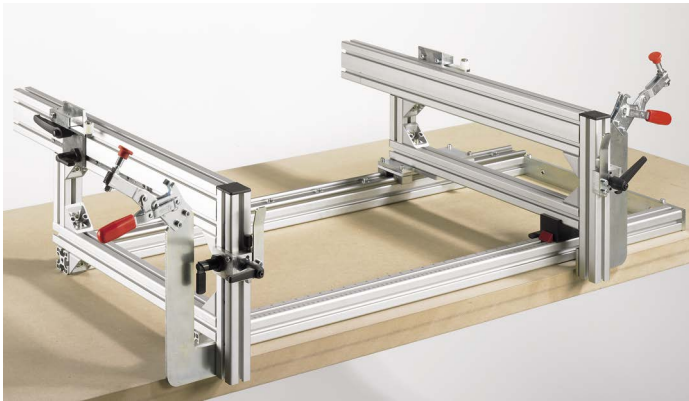
Direct fixing screws



- For attaching the carcass rail
- Shallow countersunk head
- Pozidrive screw
- Steel, nickel-plated

Dimensions mm	Order no.	PU
∅ 6.3 x 10.5	0 051 264	200 ea.
∅ 6.3 x 14	0 051 265	200 ea.

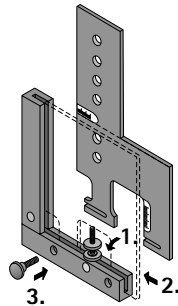
MultiFit Pro



- For assembling MultiTech drawers and pot-and-pan drawers
- Manual component positioning and assembly
- All settings can be made without the need for tools
- Galvanised steel, anodised aluminium
- Capacity: up to 40 drawers an hour

Order no.	PU
9 079 392	1 ea.

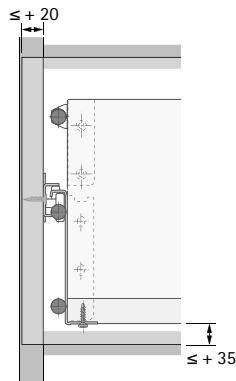
Angle gauge



- Angle gauge for combining with Practica drilling jig for:
 - ArciTech / InnoTech / MultiTech
 - Systema Top 2000 pedestal / suspension filing system / wide drawer
- Aluminium

Order no.	PU
0 078 093	1 ea.

Practica for MultiTech



- For fitting the front-panel connector for:
 - MultiTech drawer height 54, 86, 118, 150 and 214 mm
 - MultiTech pot-and-pan drawer
- Adjustment range:
 - Side front panel overlay: up to + 20 mm
 - Front-panel height: up to + 35 mm from bottom edge of base
- Aluminium
- Accessory sleeve drill, see page 2780

Order no.	PU
0 079 637	1 ea.

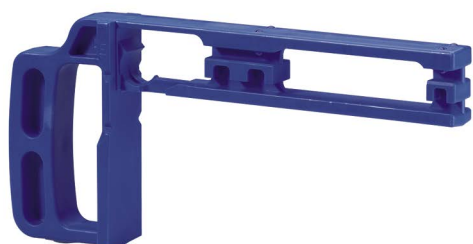
Sleeve drill



- Minimal drill wear as the drill bit does not come into contact with the jig
- Precision drill bit guidance through sleeve
- Adjustable drill depth stop
- Can be used with Accura, Practica, Lift Advanced drilling jigs

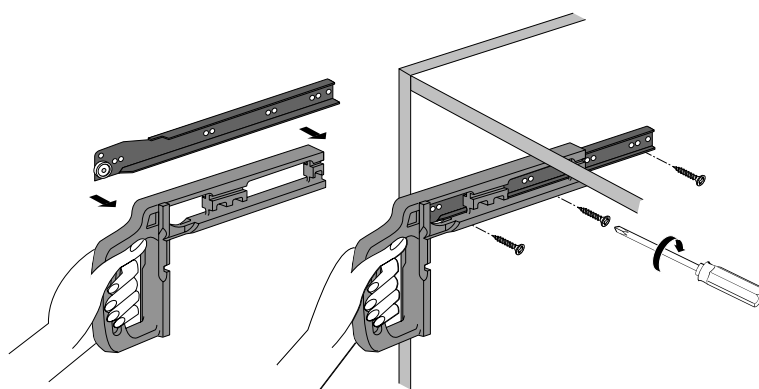
Description	Diameter mm	Order no.	PU
Sleeve drill	5	0 070 268	1 ea.
Replacement drill bit without sleeve	5	0 070 269	1 ea.

For MultiTech carcass runners



- For fast, precision mounting of MultiTech carcass runners
- Can be used for (System 32) hole lines or for direct fixing
- Plastic

Order no.	PU
1 008 289	1 ea.



Knock-in tool for MultiTech front connector



- For knocking in the MultiTech front-panel connector

Description	Order no.	PU
Mounting guide for MultiTech 54 front connector	0 079 564	1 ea.
Mounting guide for MultiTech 86 / 118 / 150 / 214 front connectors	0 040 133	1 ea.

Single-walled drawer system MultiTech / MultiTech LS

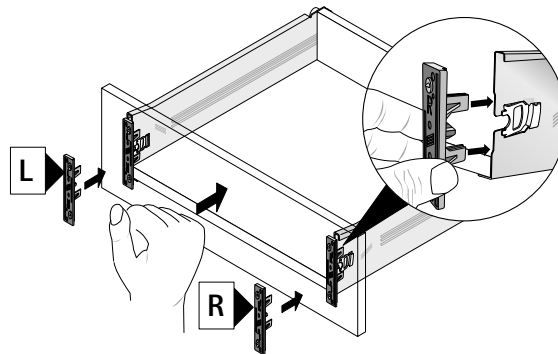
► Assembly machinery

BlueJig MT



- For marking the holes for fitting MultiTech front-panel connector
- Plastic / steel

Order no.	PU
0 051 425	2 ea.

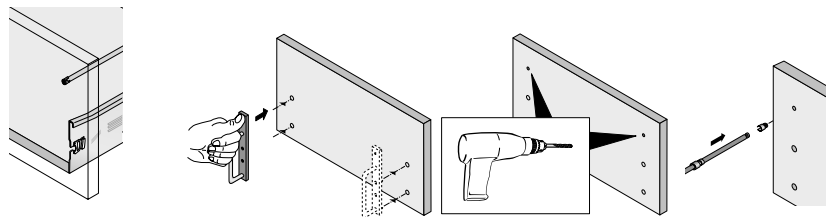


BlueJig MT railing



- For marking the holes for fitting MultiTech railing
- Aluminium / steel

Order no.	PU
0 048 437	1 ea.

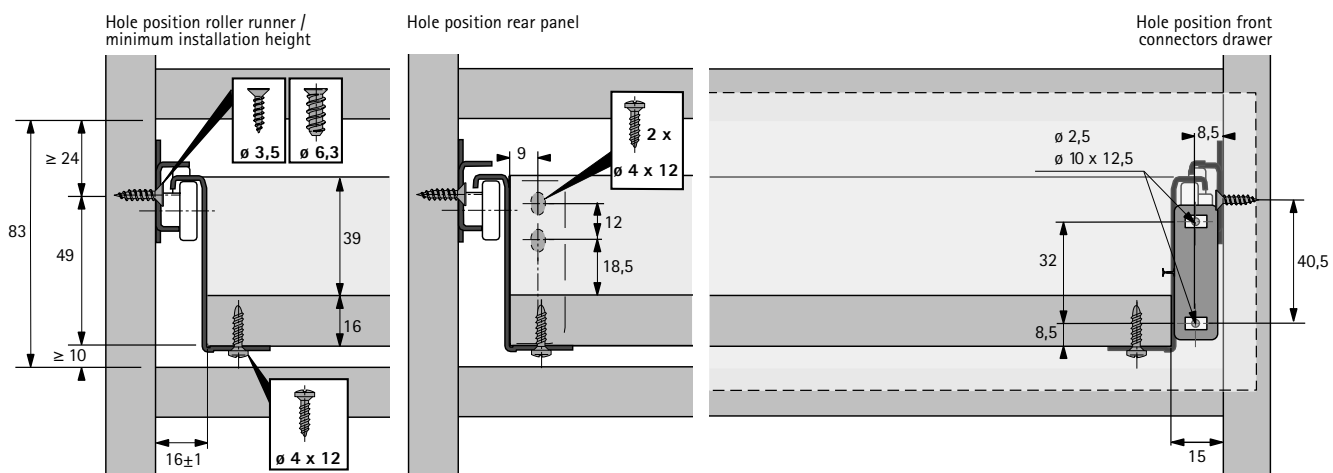


Single-walled drawer system MultiTech

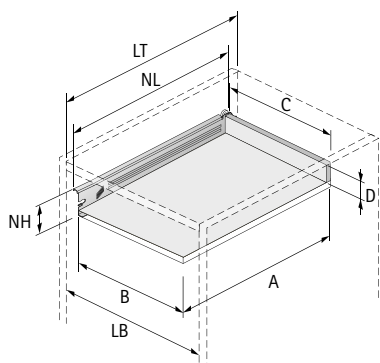


- ▶ Drawer, 54 mm height
- ▶ Technical information

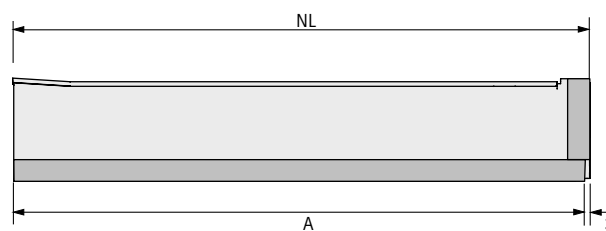
Planning dimensions



Dimensions for cutting to size

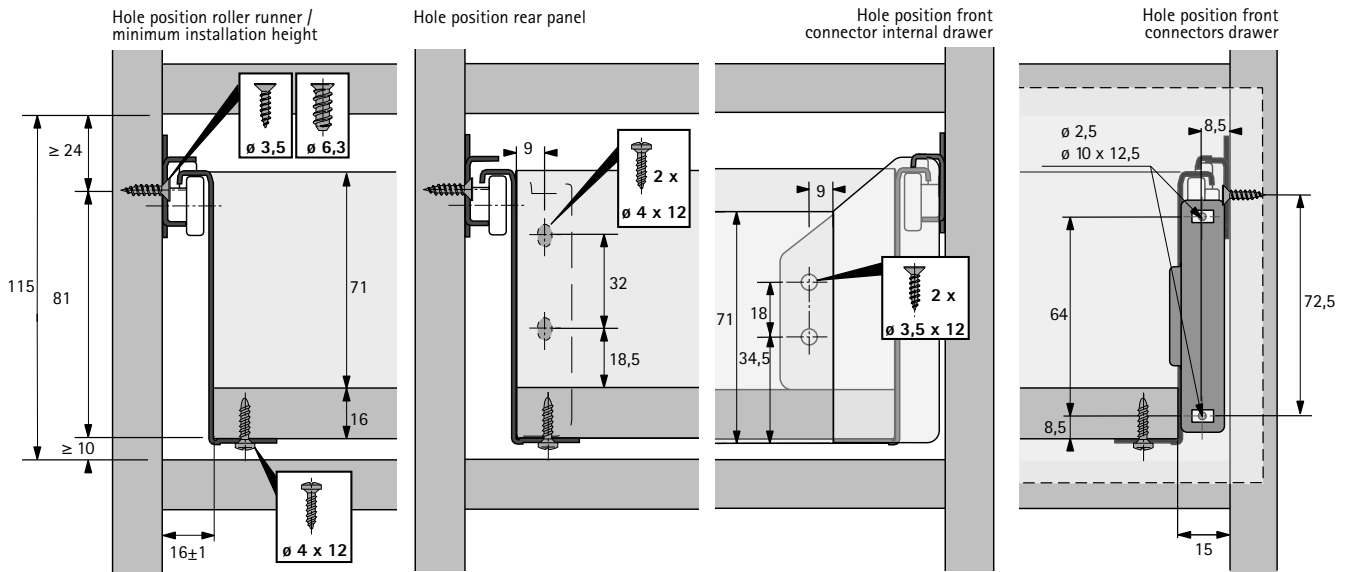


Dimension	Drawer
A	NL - 3
B	LB - 31
C	LB - 31
D	39
LT	$\geq (NL + 10)$

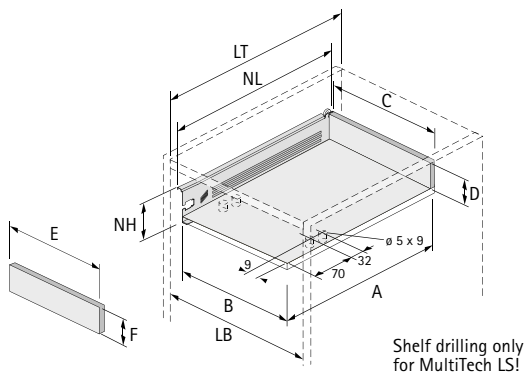


- ▶ Drawer, 86 mm height
- ▶ Technical information

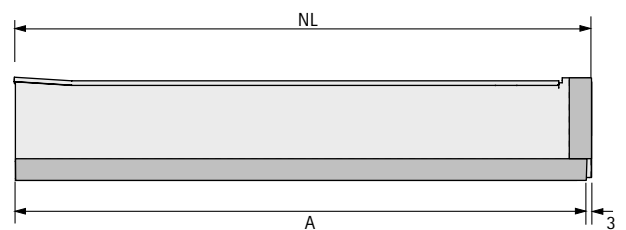
Planning dimensions



Dimensions for cutting to size

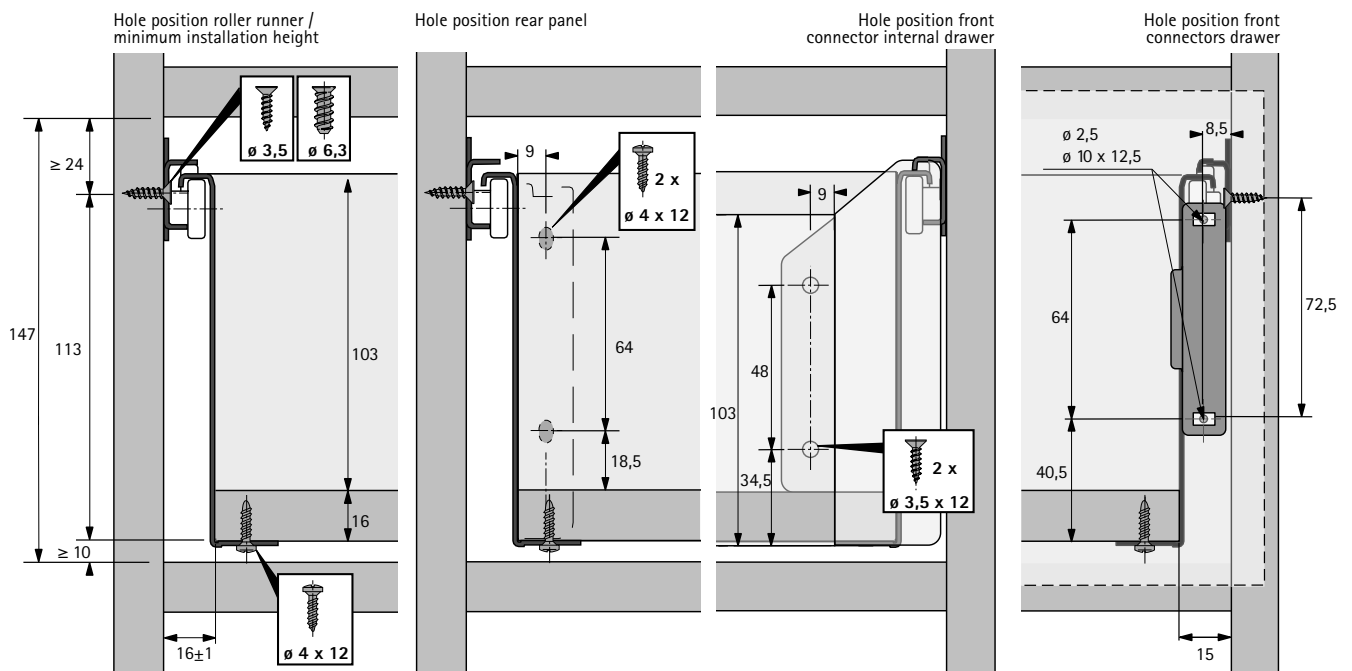


Dimension	Drawer	Internal drawer
A	NL - 3	NL - 19
B	LB - 31	LB - 31
C	LB - 31	LB - 31
D	71	71
E	-	LB - 57
F	-	71
LT	$\geq (NL + 10)$	$\geq (NL + 19)$

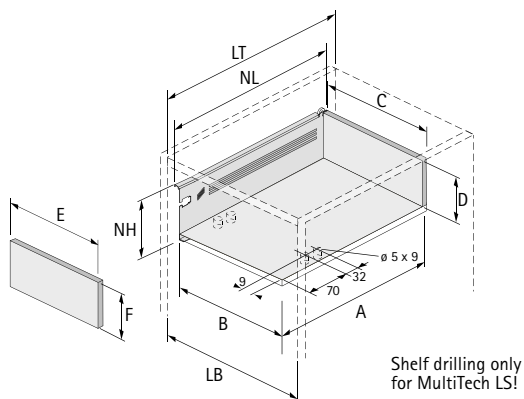


- ▶ Drawer, 118 mm height
- ▶ Technical information

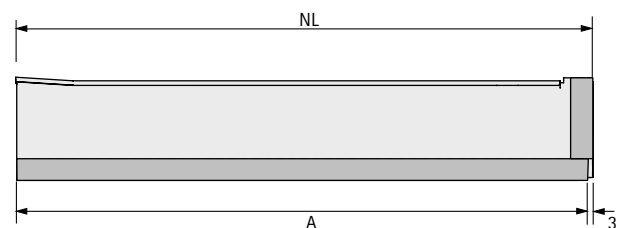
Planning dimensions



Dimensions for cutting to size

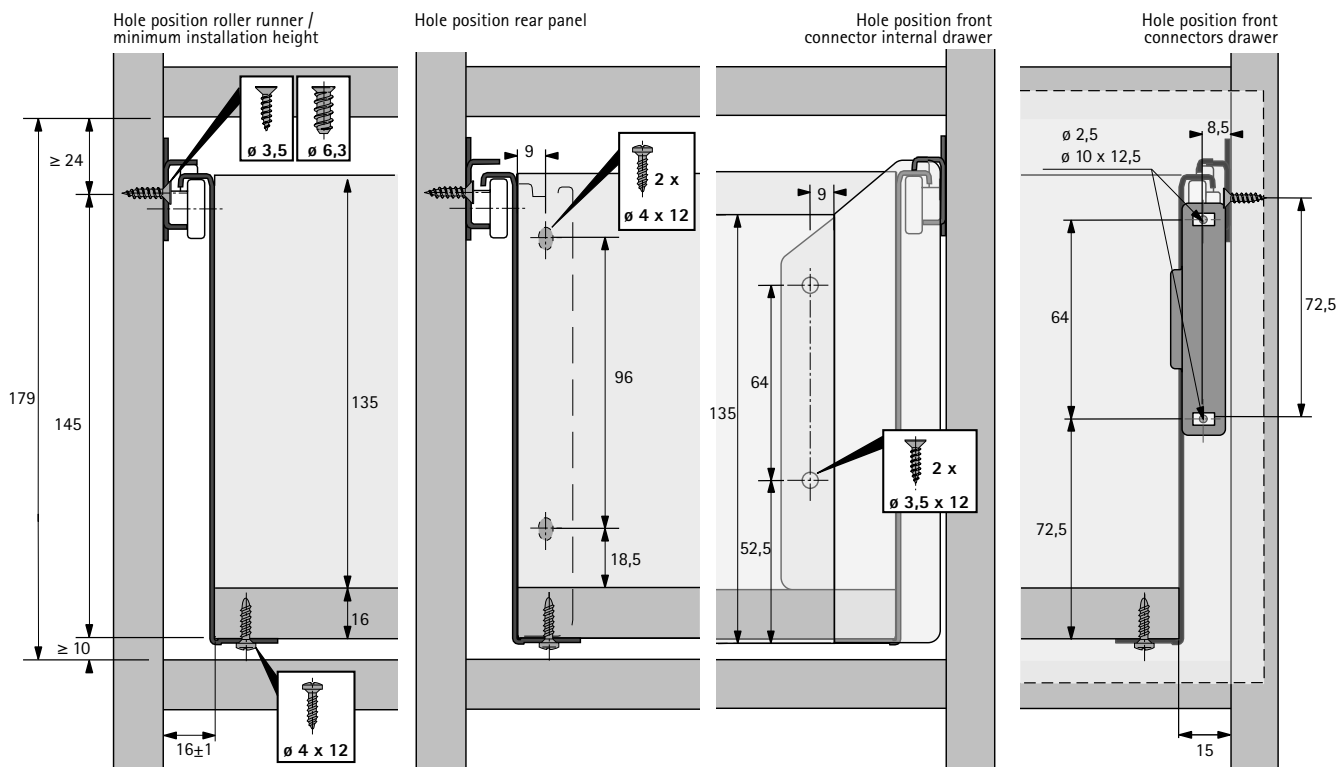


Dimension	Drawer	Internal drawer
A	NL - 3	NL - 19
B	LB - 31	LB - 31
C	LB - 31	LB - 31
D	103	103
E	-	LB - 57
F	-	103
LT	$\geq (NL + 10)$	$\geq (NL + 19)$

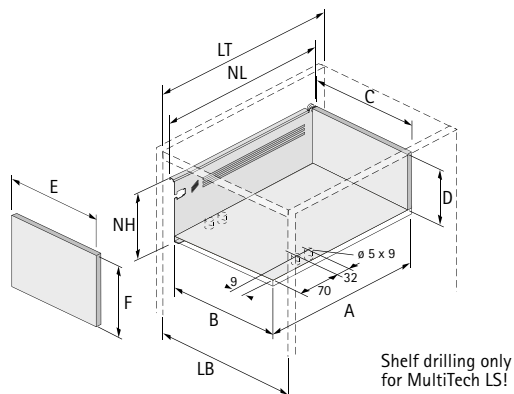


- ▶ Drawer, 150 mm height
- ▶ Technical information

Planning dimensions

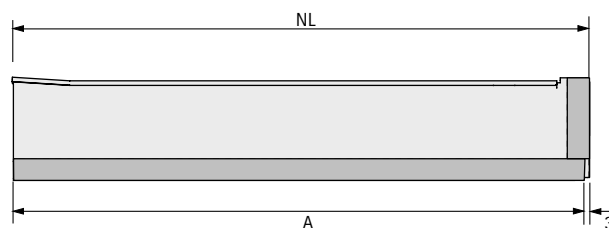


Dimensions for cutting to size



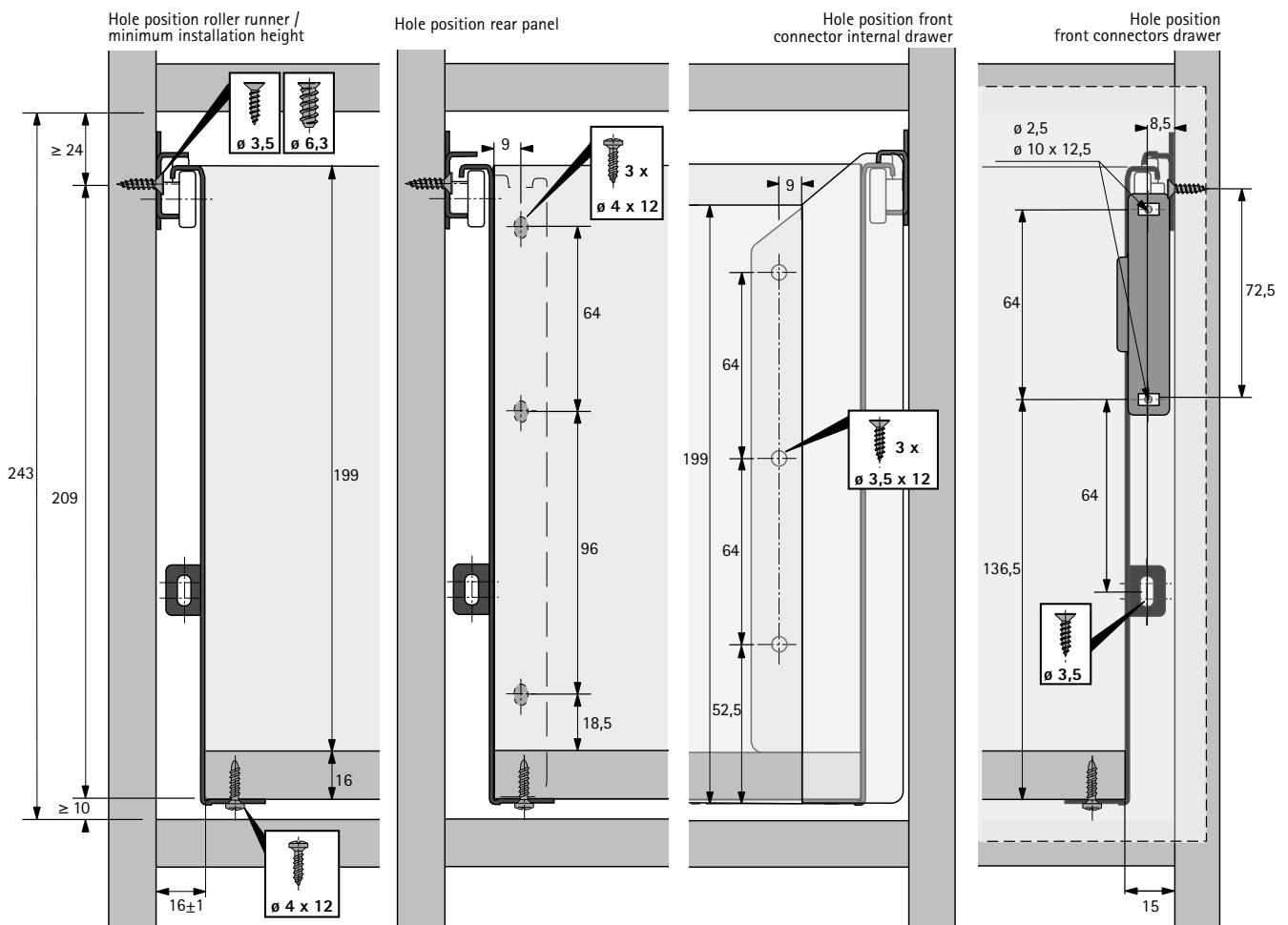
Shelf drilling only for MultiTech LS!

Dimension	Drawer	Internal drawer
A	NL - 3	NL - 19
B	LB - 31	LB - 31
C	LB - 31	LB - 31
D	135	135
E	-	LB - 57
F	-	135
LT	$\geq (NL + 10)$	$\geq (NL + 19)$

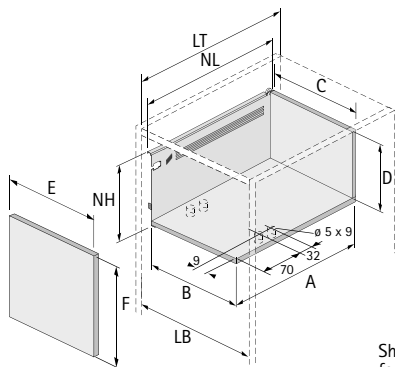


- ▶ Drawer, 214 mm height
- ▶ Technical information

Planning dimensions

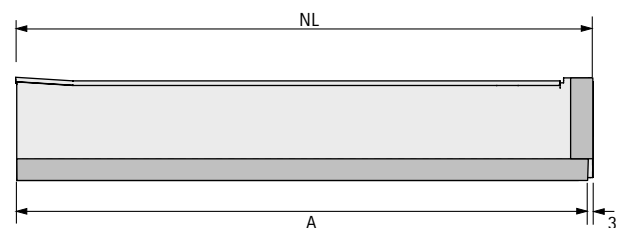


Dimensions for cutting to size



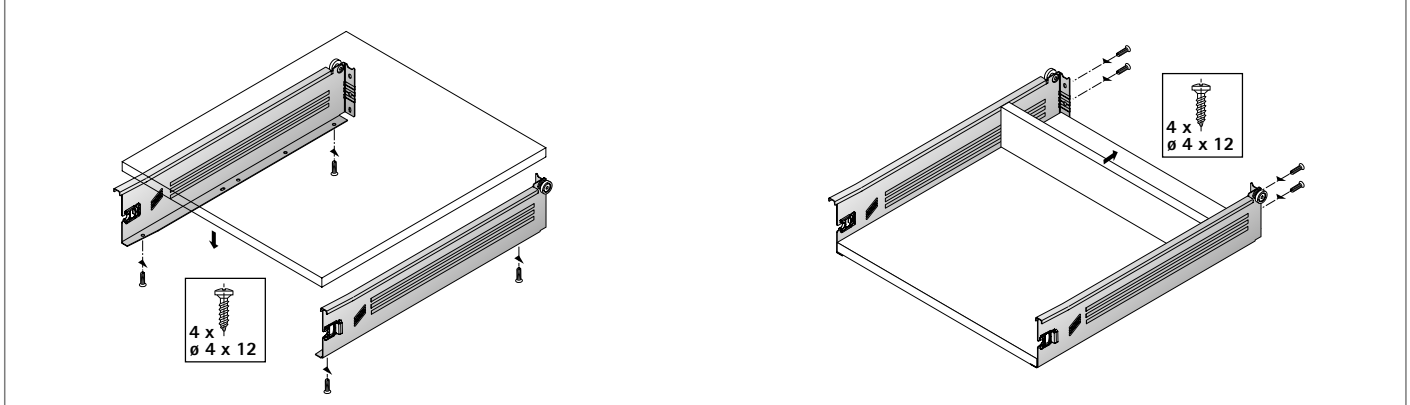
Shelf drilling only for MultiTech LS!

Dimension	Drawer	Internal drawer
A	NL - 3	NL - 19
B	LB - 31	LB - 31
C	LB - 31	LB - 31
D	199	199
E	-	LB - 57
F	-	199
LT	$\geq (NL + 10)$	$\geq (NL + 19)$

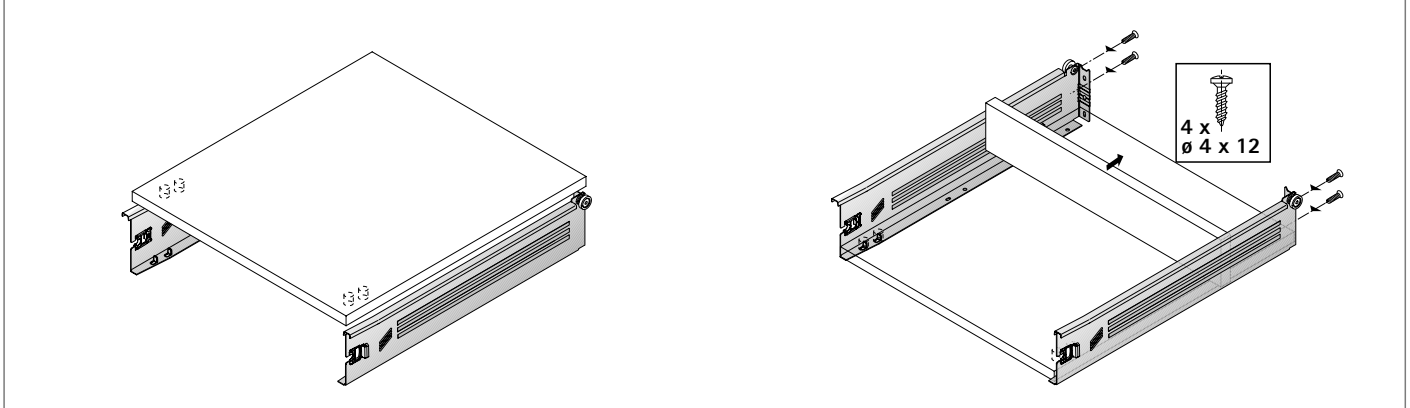


► Installation, adjustment, removal

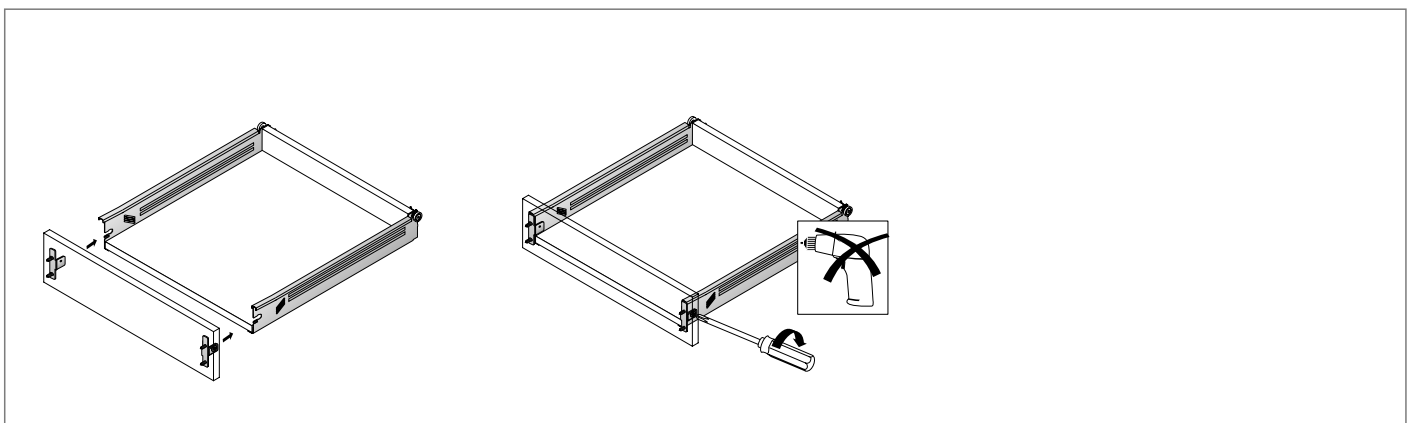
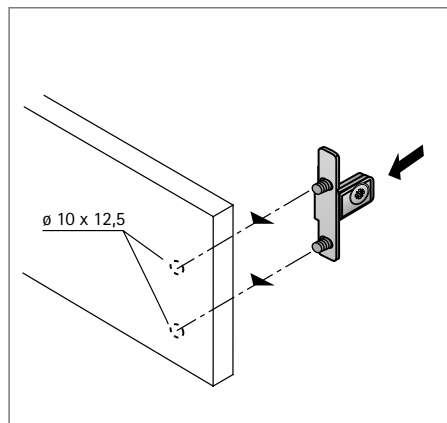
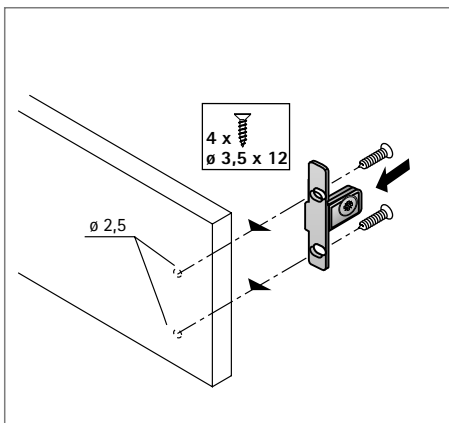
Assembling MultiTech drawer



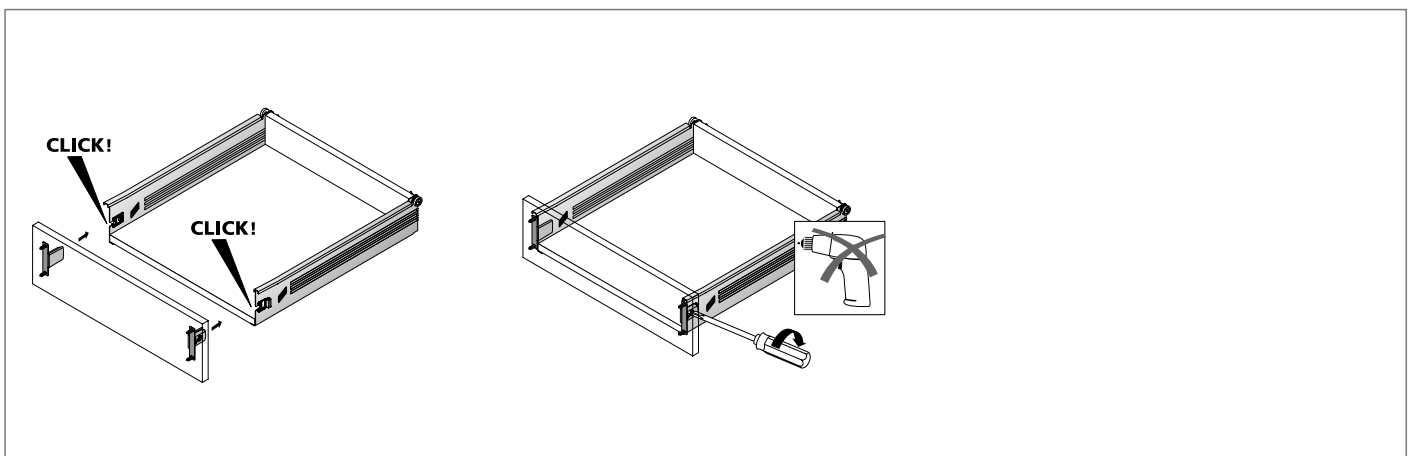
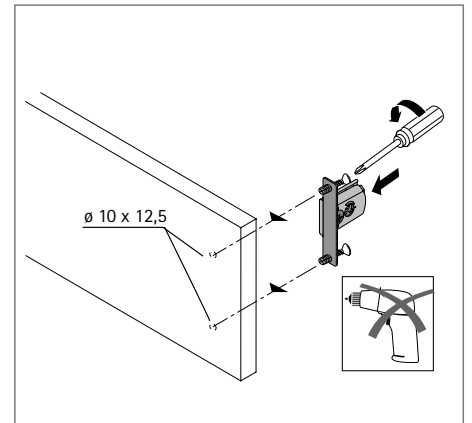
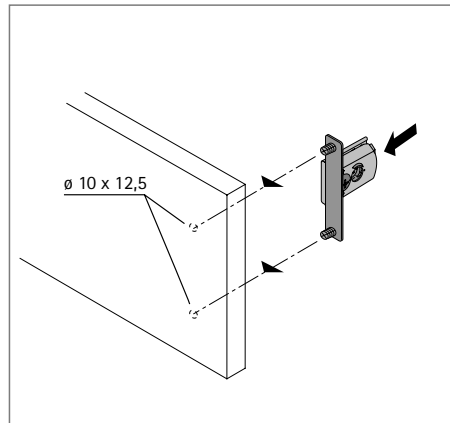
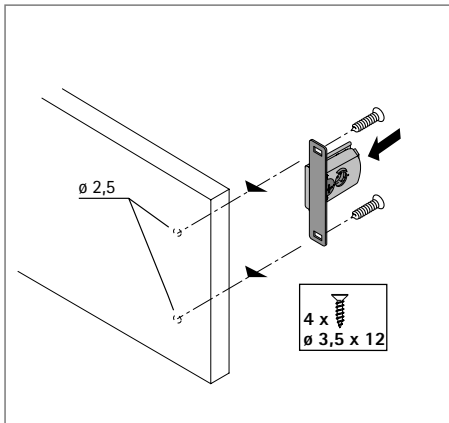
Assembling MultiTech LS drawer



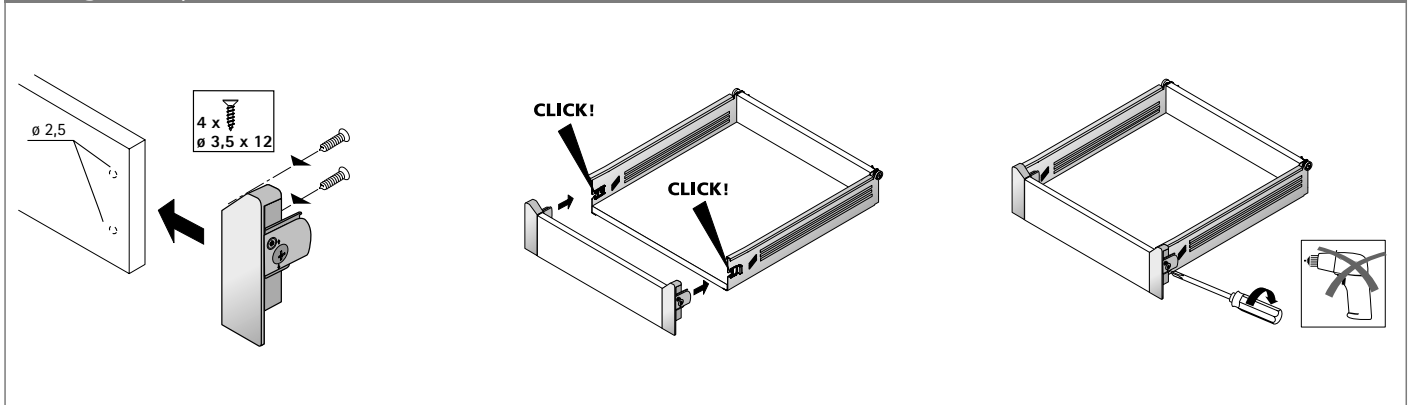
Fitting front panel, drawer, height 54 mm



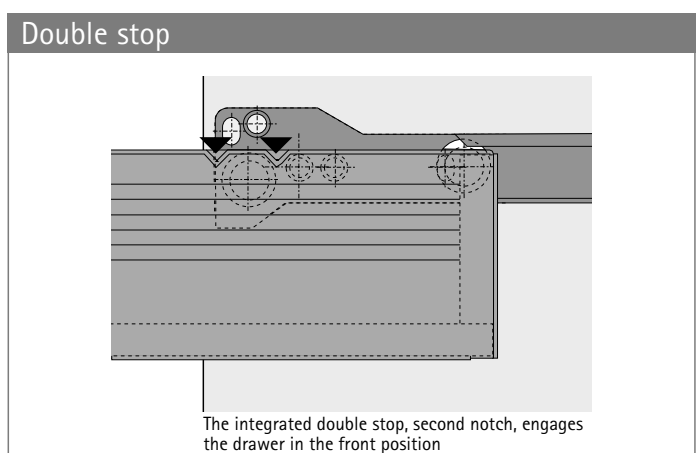
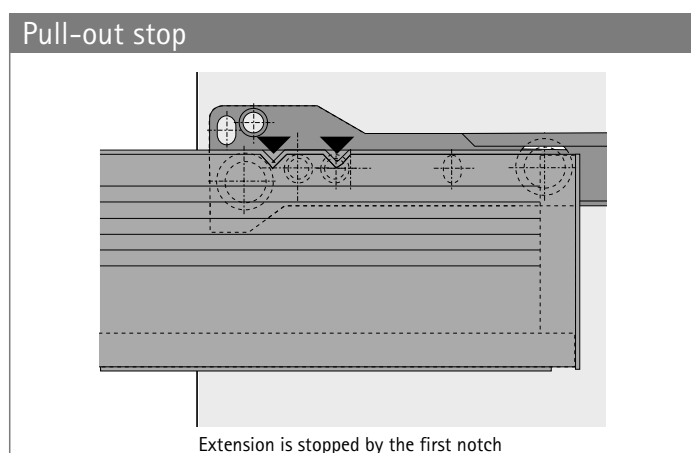
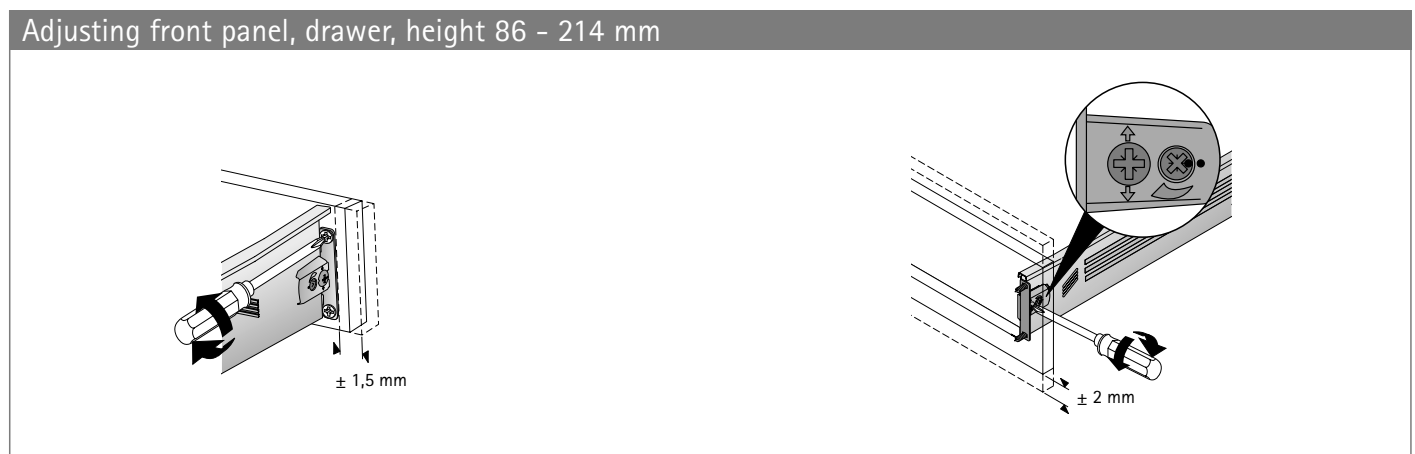
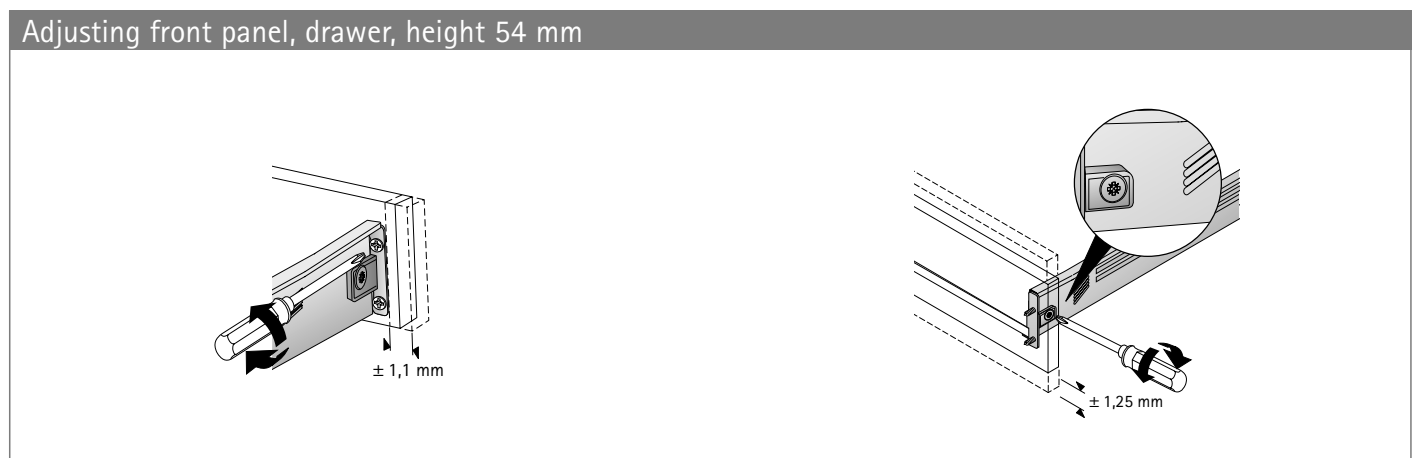
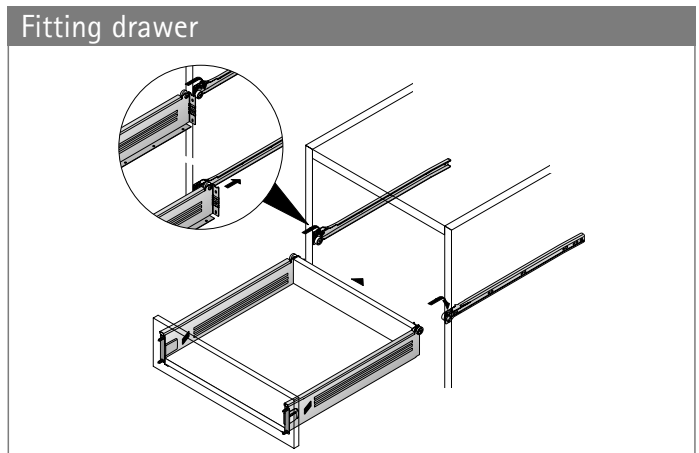
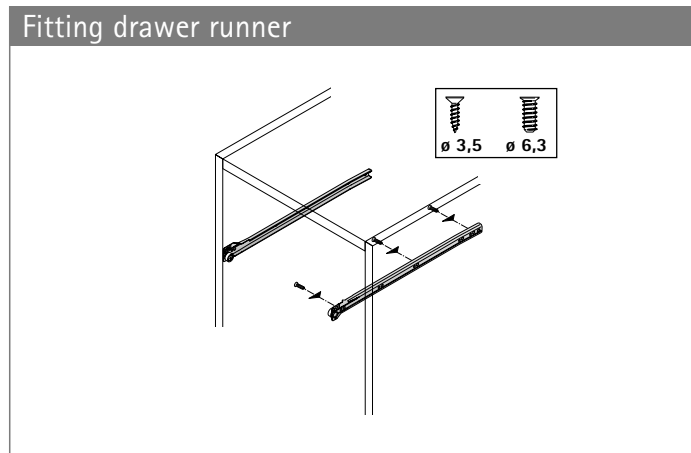
Fitting front panel, drawer, height 86 - 214 mm



Fitting front panel, internal drawer

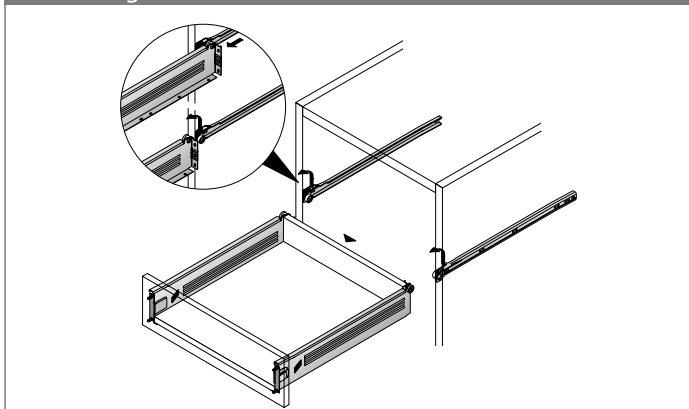


► Installation, adjustment, removal

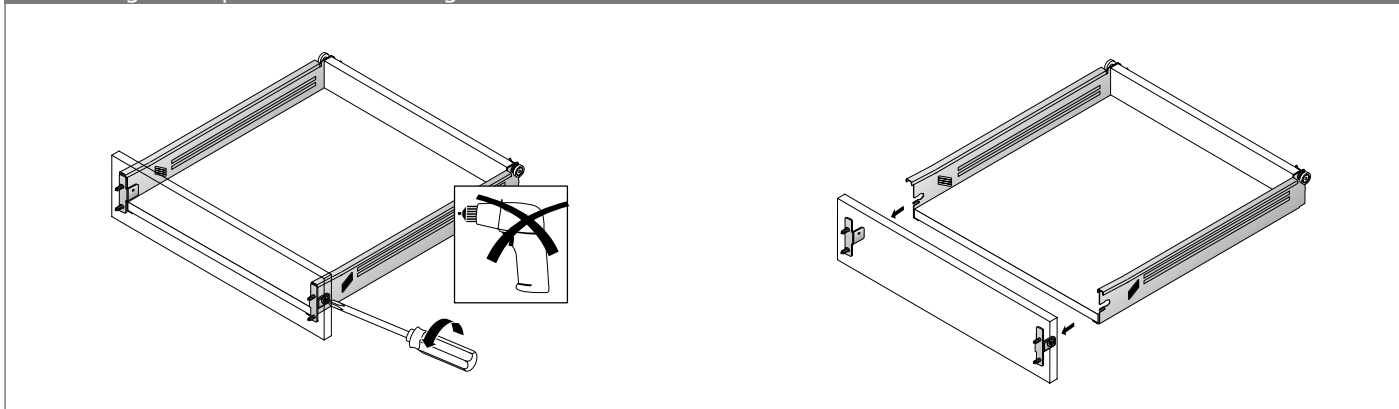


► Installation, adjustment, removal

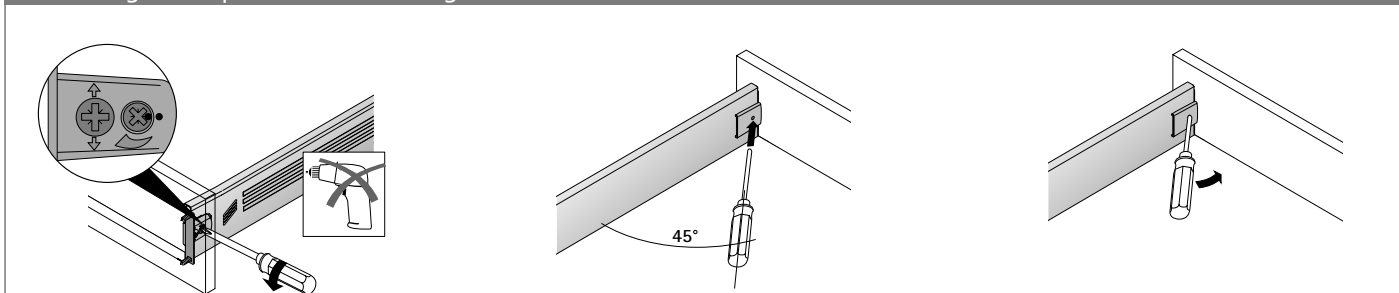
Removing drawer



Removing front panel, drawer, height 54 mm

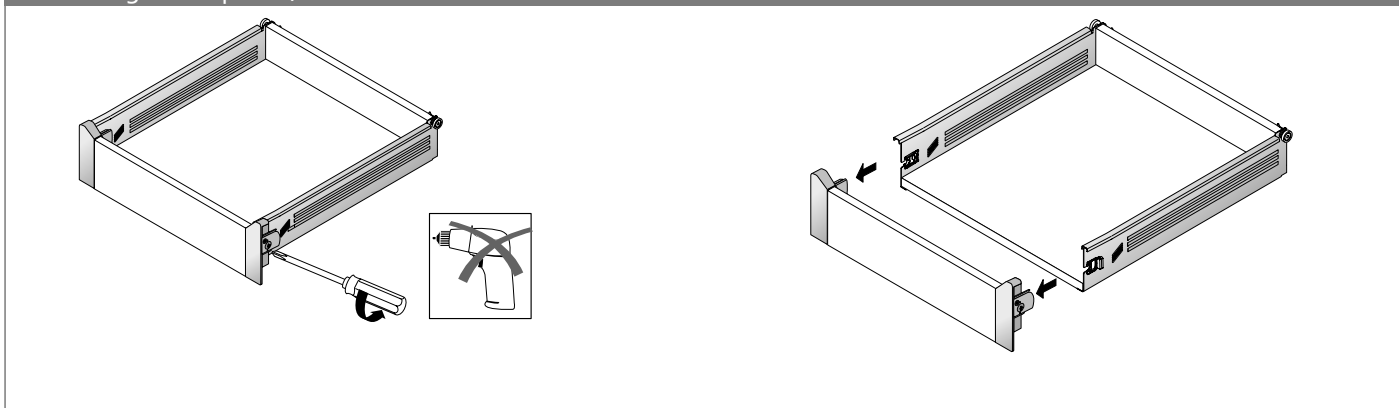


Removing front panel, drawer, height 86 - 214 mm



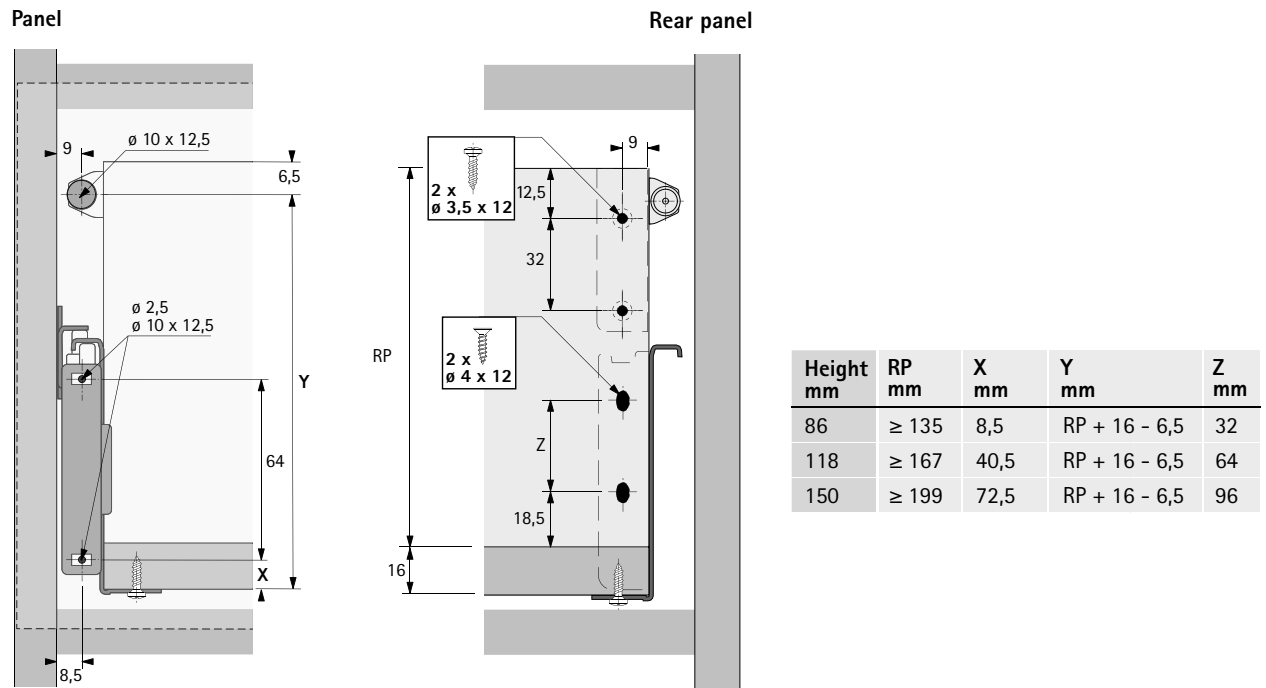
Article	Order no.	PU
Disassembly tool	9 080	1 ea.

Removing front panel, internal drawer

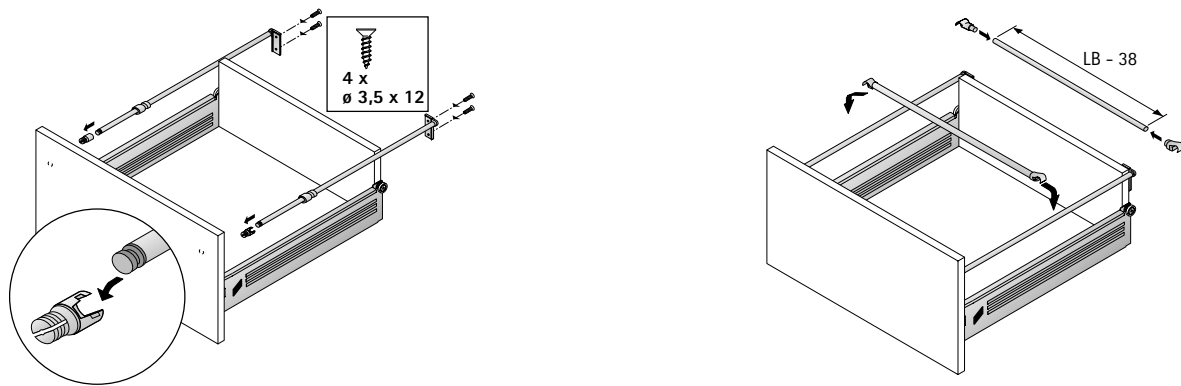


- ▶ Railing set / crosswise railing
- ▶ Technical information

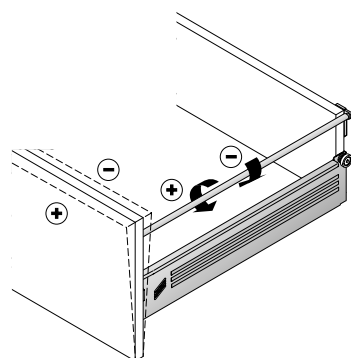
Planning dimensions, railing set / crosswise railing



Assembly, railing set / crosswise railing

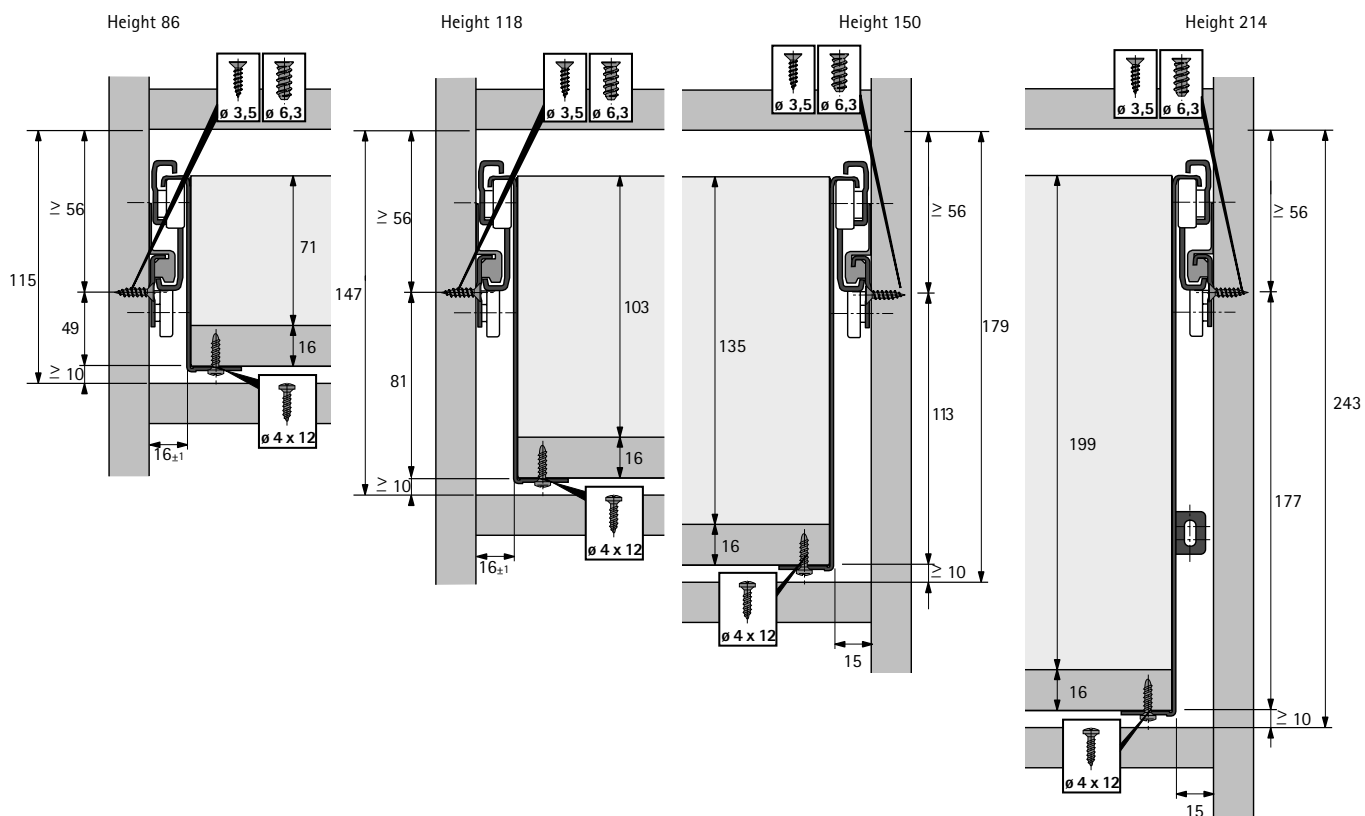


Adjusting drawer front, railing set / crosswise railing

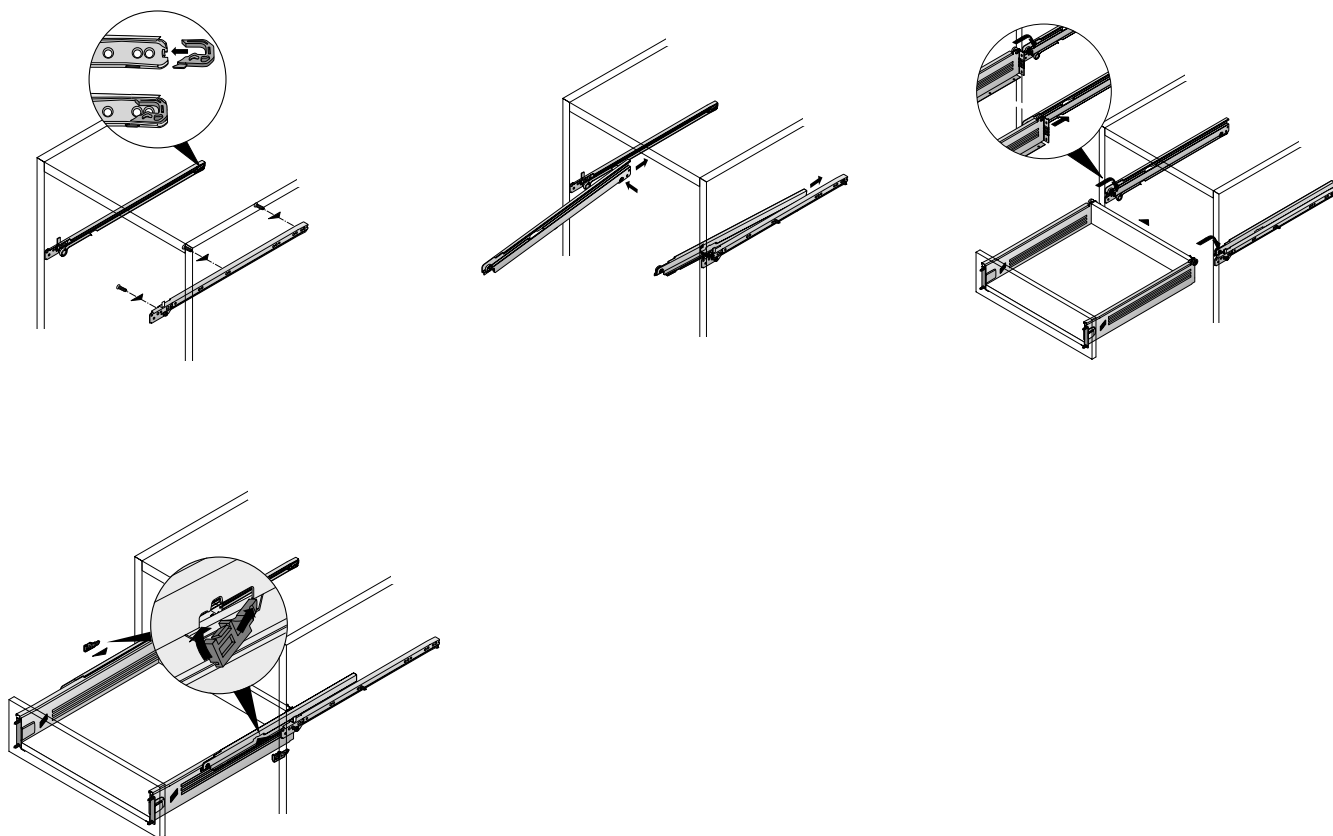


- ▶ Upgrade set for over extension runner
- ▶ Technical information

Planning dimensions, upgrade set for over extension

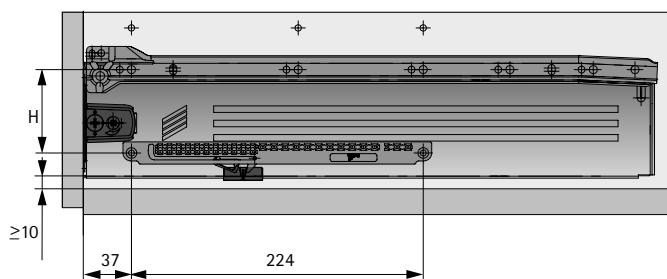
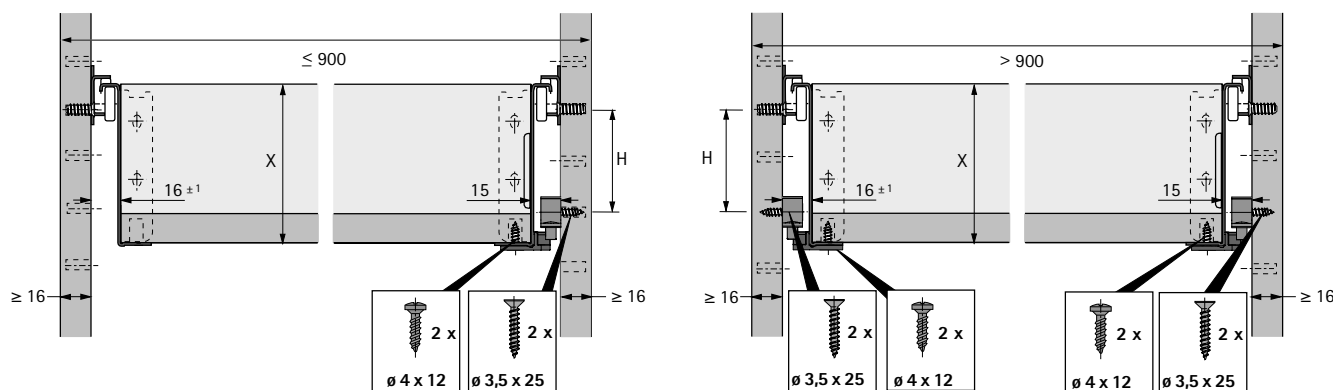


Installation, upgrade set for over extension



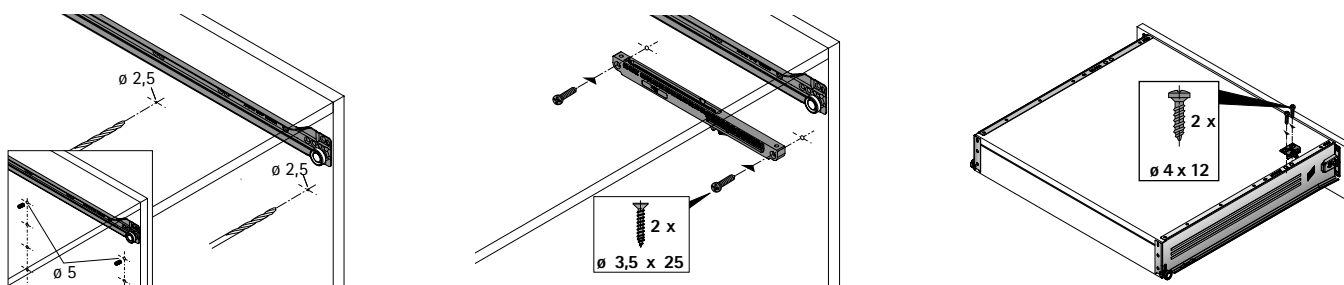
- ▶ Silent System soft closure
- ▶ Technical information

Planning dimensions, Silent System soft-closing mechanism

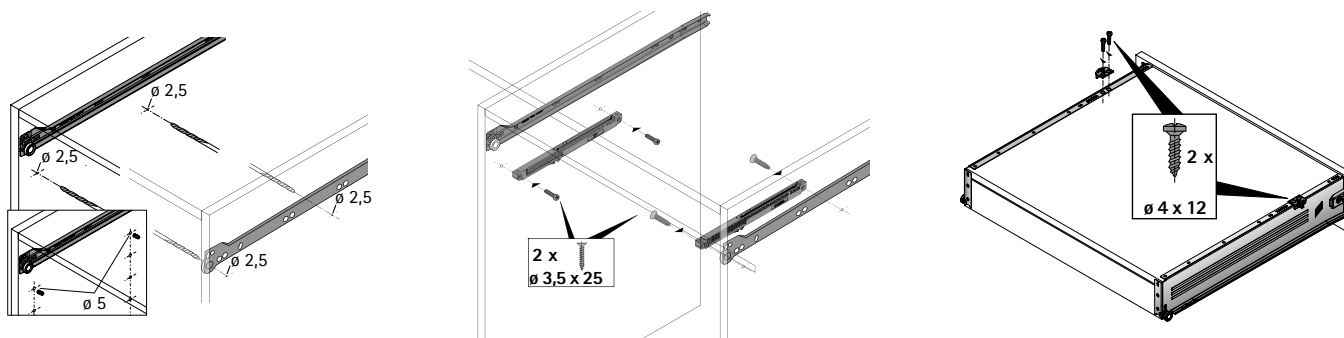


Height mm	Dimension H partial extension slide	Dimension H over extension runner
54	32	-
86	64	32
118	96	64
150	128	96
214	192	160

Installation, Silent System soft-closing mechanism, carcase width ≤ 900 mm

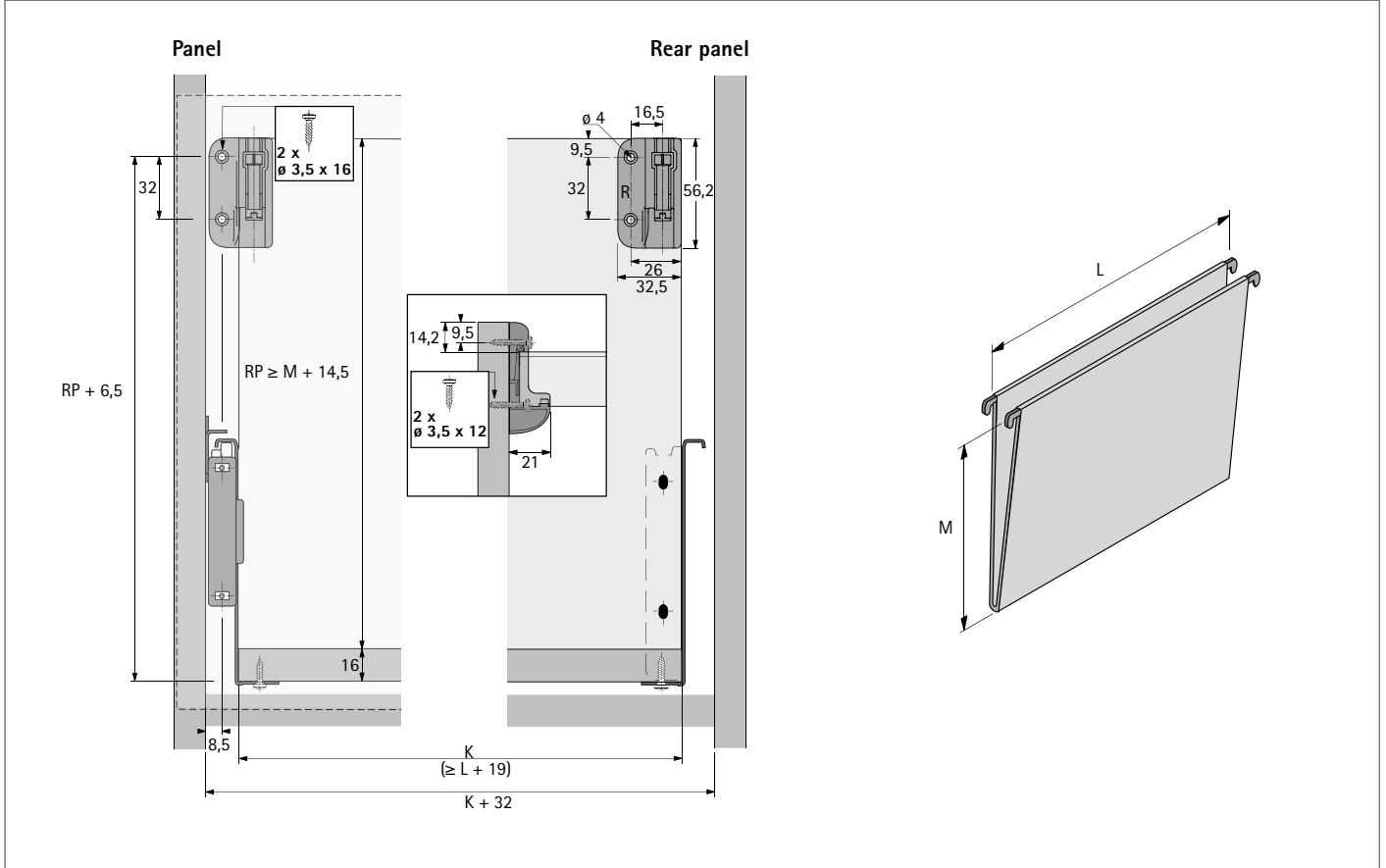


Installation, Silent System soft-closing mechanism, carcase width > 900 mm

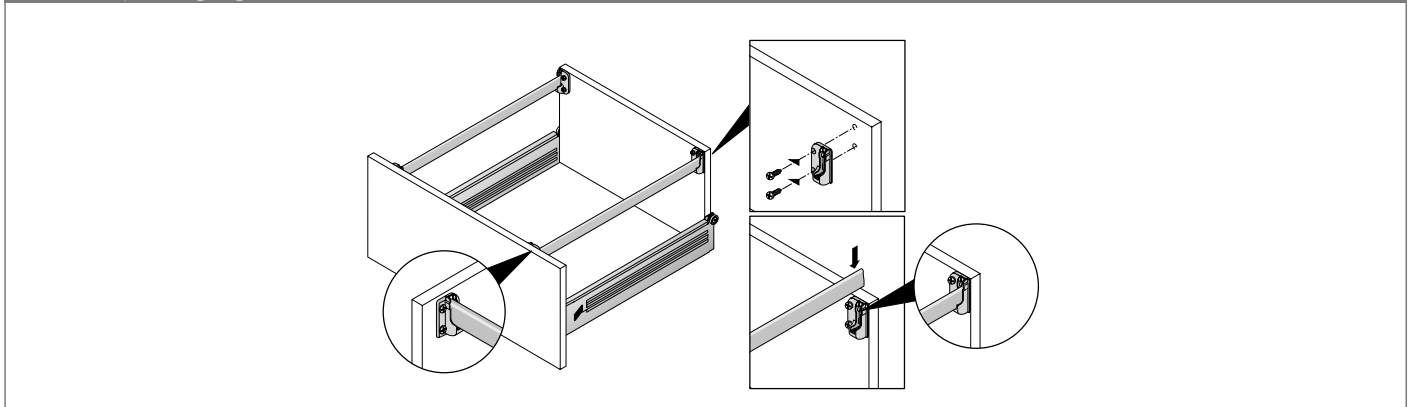


- ▶ Hanging file frame set
- ▶ Technical information

Planning dimensions, hanging file frame set

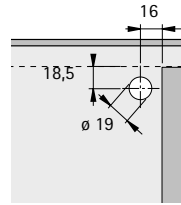
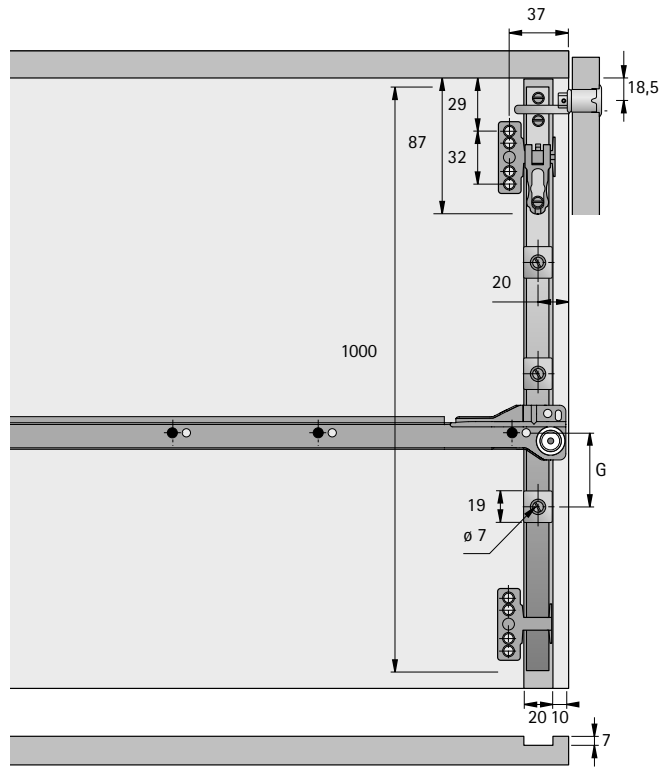


Assembly, hanging file frame set



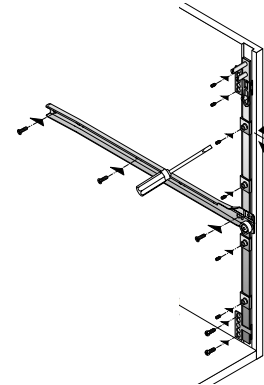
- ▶ Central locking
- ▶ Technical information

Planning dimensions, central locking

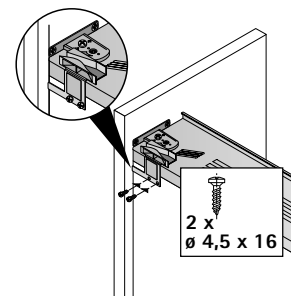
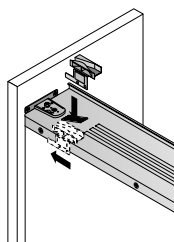


Height mm	Dimension G partial extension slide	Dimension G over extension runner
86	76,5	44,5
118	108,5	76,5
150	140,5	108,5

Installation, locking bar



Installation, locking stop



Drawer systems

► Quality criteria

Quality that meets all the demands

The quality of the drawer systems is monitored continuously. Hettich fittings comply with the national and international quality standards of the markets our customers operate in. The diagrams below show some of the tests to which Hettich fittings are subjected.

Application

Hettich drawer systems are suitable for use in living room, kitchen, bathroom and office furniture both in the home and business environment.

Load capacity and over extension guard

The load capacity (to DIN EN 15338) stated in the catalogue is understood to mean the weight of the drawer itself including panel and contents in kg. The applicable level is shown on the product. Loading capacity relates to a reference length of 500 mm. The loading capacity may vary for other nominal lengths.

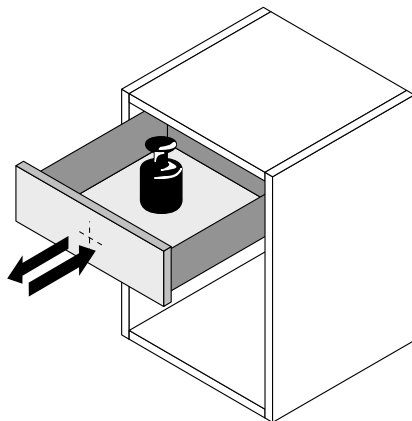
All Hettich drawer systems feature guards to prevent the drawer from rolling out and being removed unintentionally and meet the requirements of the impact test in a test frame to EN 15338. Fitted in the proper manner, the drawer systems are suitable for furniture defined in EN 14749. The maximum front-panel height is governed in particular by material, drawer size and drawer runner. Testing is conducted on drawers with a 130 mm front panel height and pot-and-pan drawers with a 300 mm front-panel height. We will be pleased to provide any further information you may require.

Corrosion test

Hettich runner systems satisfy the requirements on corrosion defined in EN 15338, 72-hour condensation-water test to EN 6270.

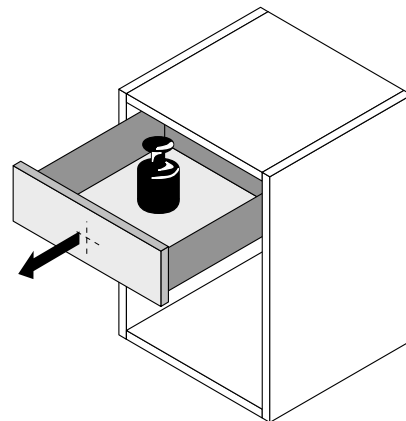
Wear test

The fully laden drawer must remain in proper working order after opening and closing it for a defined number of times at a defined test velocity.



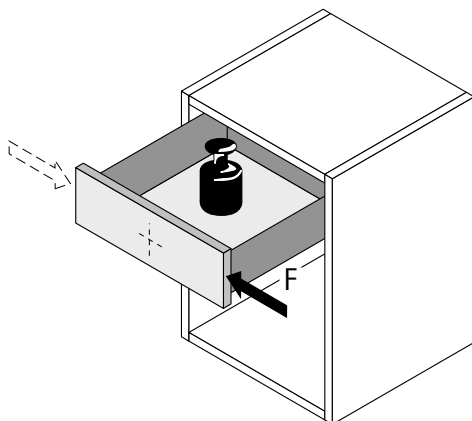
Retention-on-opening test

The fully laden drawer is abruptly opened all the way several times at a defined test velocity.



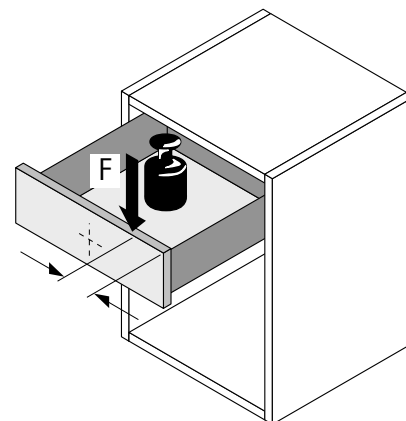
Horizontal load test

Opened all the way, the fully laden drawer is additionally exposed to horizontal strain from a defined lateral force.



Vertical strain test

Opened all the way, the drawer is additionally exposed to vertical strain from a defined eccentric force.



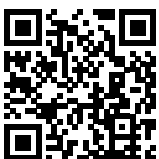
Order no.	Page	Order no.	Page	Subject	Page
0 013 337	21	0 079 564	24	Accessories	22
0 013 952	22	0 079 637	23	Adjustment / assembly / removal	31 - 35
0 033 681	22	1 008 289	24	Angle gauge	23
0 033 682	22	9 078 355	16	Assembly / adjustment / removal	31 - 35
0 033 683	22	9 079 392	23	Assembly aids	23 - 25
0 040 133	24	9 080 310	34	BlueJig MT	25
0 044 918	19	9 081 054	16	BlueJig MT railing	25
0 044 919	19	9 096 745	9	Central locking	21
0 044 921	19	9 096 745	11	Cover cap	9, 11, 13
0 044 922	19	9 096 745	13	Crosswise railing	16
0 044 923	19	9 096 745	15	Cutlery trays	20
0 044 924	19	9 115 956	22	Cylinder cam lock	21
0 046 096	9	9 127 867	6	Direct fixing screws	22
0 046 096	11	9 127 869	6	Drawer front connector for side profile, 54 mm height	7
0 046 096	13	9 127 871	6	Drawer front connector for side profile, 86 mm height	9
0 046 096	15	9 127 875	8	Drawer front connector for side profile, 118 mm height	11
0 048 230	20	9 127 879	8	Drawer front connector for side profile, 150 mm height	13
0 048 437	25	9 127 881	8	Drawer front connector for side profile, 214 mm height	15
0 048 749	20	9 127 883	8	Drawer set, 54 mm height	6
0 048 751	20	9 127 885	8	Drawer set, 86 mm height	8
0 048 752	20	9 127 887	8	Drawer set, 118 mm height	10
0 048 754	20	9 127 889	10	Drawer set, 150 mm height	12
0 048 761	20	9 127 893	10	Drawer set, 214 mm height	14
0 048 762	20	9 127 895	10	Drawer, 54 mm height	6 - 7
0 048 763	20	9 127 897	10	Drawer, 86 mm height	8 - 9
0 048 769	20	9 127 899	10	Drawer, 118 mm height	10 - 11
0 051 264	22	9 127 901	10	Drawer, 150 mm height	12 - 13
0 051 265	22	9 127 903	12	Drawer, 214 mm height	14 - 15
0 051 409	17	9 127 907	12	Front connectors for internal drawer, 118 mm height	11
0 051 411	17	9 127 909	12	Front connectors for internal drawer, 150 mm height	13
0 051 413	17	9 127 911	12	Front connectors for internal drawer, 214 mm height	15
0 051 415	17	9 127 913	12	Front connectors for internal drawer, 86 mm height	9
0 051 421	16	9 127 915	12	Hanging file frame set	21
0 051 425	25	9 127 917	14	Internal drawer, 86 mm height	8 - 9
0 051 426	16	9 127 919	14	Internal drawer, 118 mm height	10 - 11
0 051 477	9	9 127 921	14	Internal drawer, 150 mm height	12 - 13
0 051 477	11	9 127 923	14	Internal drawer, 214 mm height	14 - 15
0 051 477	13	9 127 925	14	Internal organisation system for drawers	19 - 20
0 051 477	15	9 127 927	8	Knock-in tool for MultiTech front connector	24
0 051 478	17	9 127 931	8	Lengthwise railing	16
0 051 481	16	9 127 933	8	Locking bar	21
0 051 483	16	9 127 935	8	Locking stop	21
0 051 485	16	9 127 937	8	Mount for crosswise railing	16
0 051 487	9	9 127 939	8	MultiFit Pro	23
0 051 489	11	9 127 941	10	MultiTech range summary	4 - 5
0 051 491	13	9 127 945	10	OrgaTray 650	19
0 051 495	21	9 127 947	10	Planning dimensions	26 - 30, 36 - 39
0 051 496	21	9 127 949	10	Pot-and pan drawer with railing	16
0 051 497	21	9 127 951	10	Practica for MultiTech	23
0 051 499	21	9 127 953	10	Quality criteria	40
0 051 500	21	9 127 959	12	Range summary MultiTech	4 - 5
0 051 501	21	9 127 961	12	Removal / assembly / adjustment	31 - 35
0 054 997	9	9 127 963	12	Silent System soft closure	18
0 054 997	11	9 127 965	12	Silent System soft closure, 54 mm height	7
0 054 997	13	9 127 967	12	Silent System soft closure, 86 mm height	9
0 054 997	15	9 127 971	14	Silent System soft closure, 118 mm height	11
0 054 998	9	9 127 973	14	Silent System soft closure, 150 mm height	13
0 054 998	11	9 127 975	14	Silent System soft closure, 214 mm height	15
0 054 998	13	9 137 935	7	Sleeve drill	23
0 054 998	15	9 137 935	9	Spacer discs	22
0 070 268	23	9 137 935	11	Spacer profiles	22
0 070 269	23	9 137 935	13	Technical information	26 - 30, 35 - 39
0 078 093	23	9 137 935	15	Upgrade set for over extension	17
0 079 173	7	9 137 935	18		
0 079 174	7	9 157 395	15		

www.hettich.com

Order no. 9 157 659
1310-080-MultiTech-1013-HMV_en

Hettich Australia NSW
1 Herbert Place
Smithfield 2164, Sydney
Free Phone 1800 687 789
sales@hettich.com.au
www.hettich.com.au

Hettich New Zealand
18 Barmac Place
East Tamaki, Auckland
Free Phone: 0800 4 38 84 24
Free Fax: 0800 73 78 47
sales@hettich.co.nz
www.hettich.co.nz



Technik für Möbel


Hettich