



The fast assembly concealed hinges
for all applications: **Intermat and Sensys**

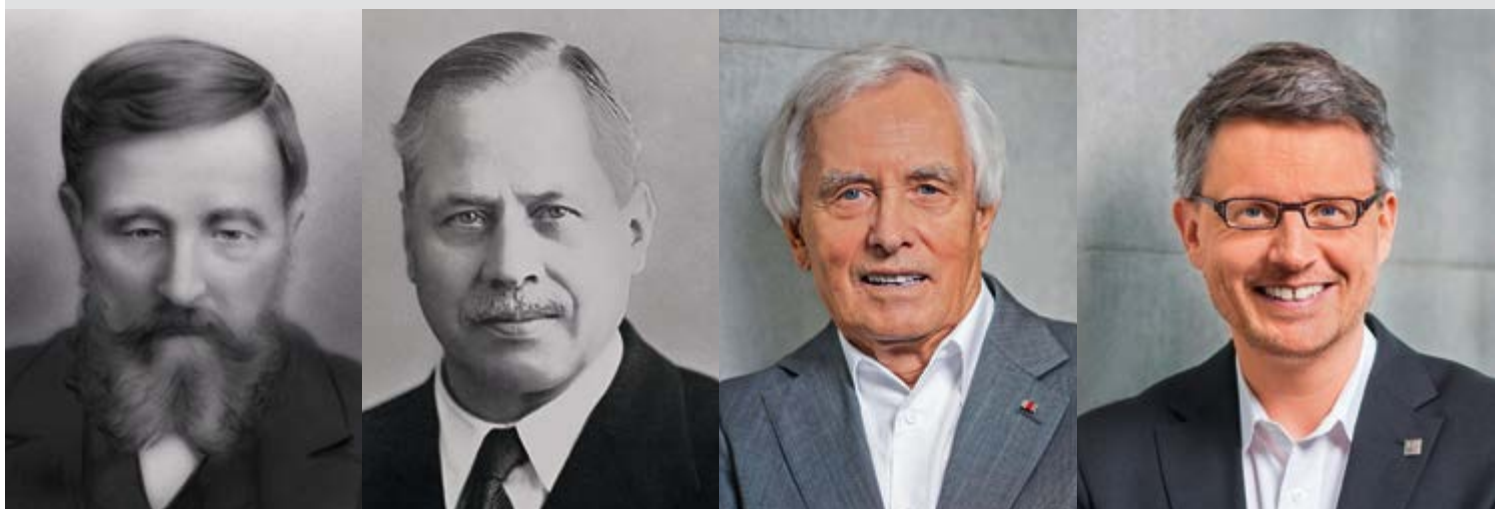
Technik für Möbel


Hettich

Hettich New Zealand
18 Barmac Place
East Tamaki, Auckland
Phone: (64) 9274 4036
Free Phone: 0800 4 38 84 24
Fax: (64) 9274 8177
Free Fax: 0800 737 847
sales@hettich.co.nz
hettich.co.nz

Hettich Australia
1 Herbert Place
Smithfield 2164, Sydney
Phone: (02) 9616 7700
Free Phone: 1800 687 789
Fax: (02) 9616 7778
Free Fax: 1800 150 129
sales@hettich.com.au
hettich.com.au

Hettich - a family owned company



Outstanding engineering achievements. Entrepreneurial courage. And a reliable instinct for the needs of the market. These are the cornerstones of Hettich's success – the same ones we've been building on for over 125 years. Back in 1888 Karl Hettich designed a machine that revolutionised the production of anchor escapements for Black Forest cuckoo clocks. In 1928, August Hettich turned towards the furniture industry with an innovative production line for piano hinges.

Encouraged by further achievements, brothers Paul, August and Franz Hettich set up a new company at Herford in 1930. Kirchlengern became headquarters in 1966. Our company has been a wholly owned family business ever since – now with Dr. Andreas Hettich at the helm as the fourth generation managing director.



Technology for furniture – our passion for over a century. Throughout the world, the Hettich brand stands for quality, innovation, reliability and closeness to customers. Some 6,000 people at Hettich develop intelligent technology for furniture – with renewed commitment every day. Hettich is at home in Kirchlegern, Germany, where we create compelling solutions for people around the globe – solutions that make a big difference in furniture and in people's lives.

Finest quality workmanship



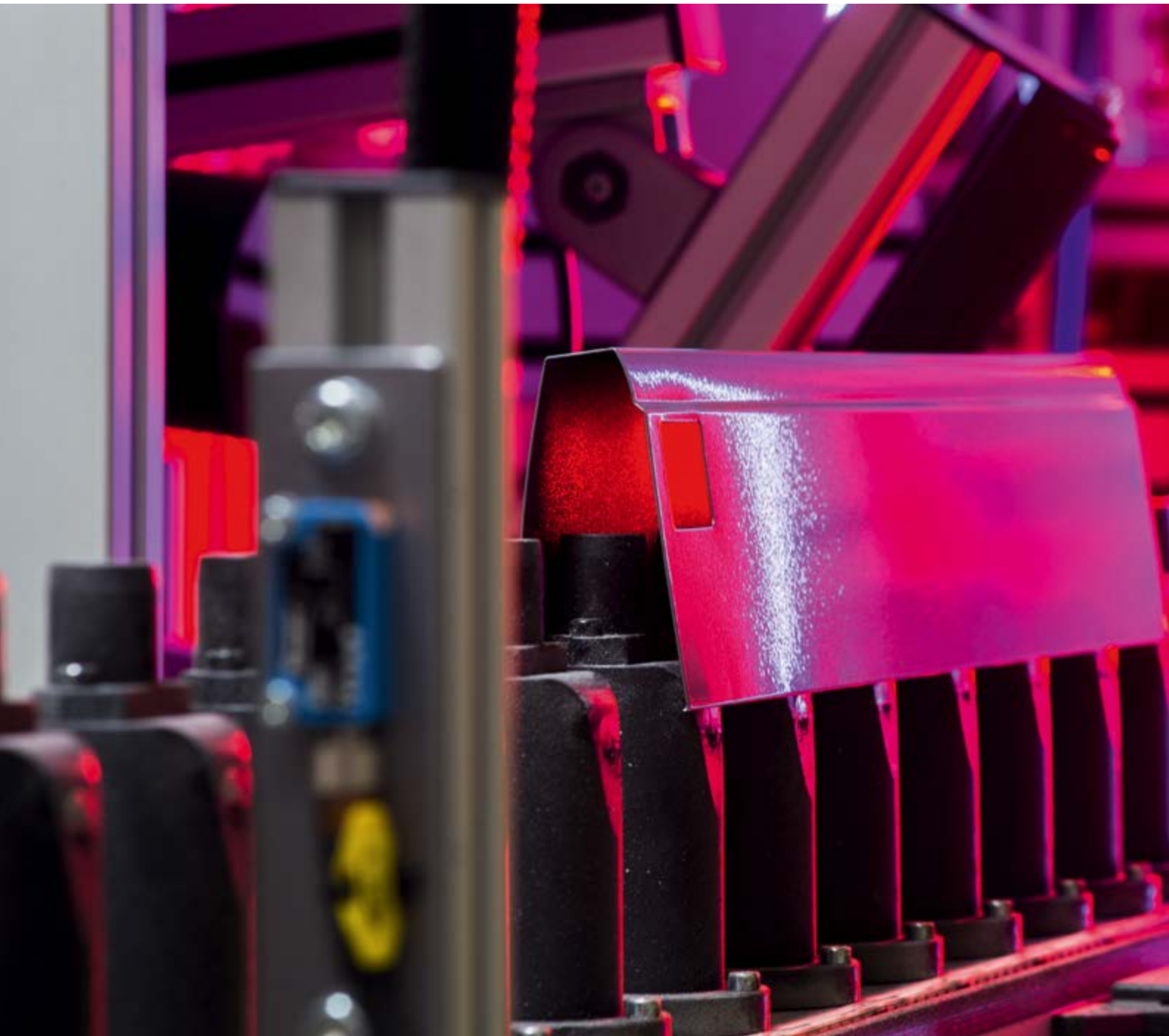
Our promise to you, our customers, is outstanding quality. In every single Hettich product. How do we keep this promise? With the passion, expertise and sophisticated production processes that make every Hettich product just what you have come to expect: reliable and long lasting, safe and easy to install and use.



We fully embrace our responsibility for the environment. We regard statutory regulations as minimum requirements which we exceed with tremendous drive and passion. At sites in an ecologically sensitive environment we apply the stringent EMAS Regulation. In everything we do, we focus on using nature's resources carefully and saving raw materials. Our Hettich Forum office building and showroom as well

as the ArciTech production facility are perfect examples of our sustainability philosophy. The new production building's primary energy requirement is 73 percent lower than limits set by the German Energy Saving Regulation. And the Hettich Forum has received the national Green Building Award.

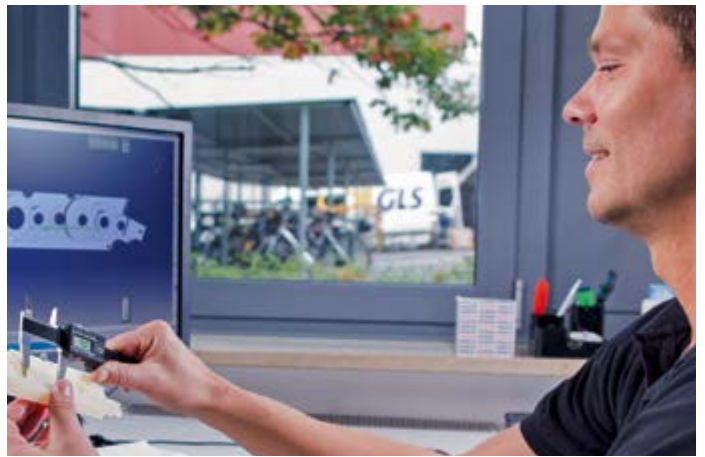




Hettich products must work safely and reliably. They must be sturdy and strong, easy to install and user friendly. This requirement profile demands ambitious research and development – and meticulous quality management.

In complex test procedures, we test every Hettich product for qualities such as durability, resistance to changing climatic conditions, safety and ergonomics.

The promise we give to our customers is: "fit and forget": once installed, Hettich products simply get on and do their job day after day after day. For furniture manufacturers, Hettich quality guarantees the reliability and long life of their own products. And the lasting satisfaction of furniture buyers.



German quality you can trust

Catalogue navigation: so much easier with Hettich

Technical comparison



Range summary



Brief introduction to products and
summary page



Making searching faster. Ordering easy.

So that you can quickly find and order the right product, the catalogue is structured in line with the tried and tested selection logic: from system comparison to the individual products.

Ordering information

Order no.	PU	PU	Packaging unit
1 234 567	100 ea.	ea.	each, fractions of this quantity cannot be ordered
7 654 321	50 ea.	50	Packaging unit stocked contains 50 each.
0 012 345	5 pair	Pair	Article consists of a right hand part and a left hand part
0 054 321	5 sets	Set	Collection of various components to make ordering easier

Symbols used



Range summary
Technical comparison
Technical information



CAD design data



Installation instructions



Technical details in brief

Ordering online / downloads



Many different functions are available at www.hettich.com to help you plan, design and construct furniture:

- Online catalogue showing prices and providing the option of ordering online
- Answers to FAQs
- Platform for additional information



In addition to the printed version, the entire content of the catalogue is also available on the Internet:

- All catalogues in the media library for downloading
- Flip page catalogue with search functions

Hinges

► Summary of ranges

<p>Concealed hinges Range summary / technical comparison</p>	
<p>Optional Silent System</p>	
<p>Push to open opening system for handleless furniture fronts</p>	
<p>Special hinges</p>	
<p>Order number index</p>	

	Sensys	Intermat
		
Page	14 - 67	68 - 113
Hinge cup mounting	<ul style="list-style-type: none"> ► For screwing on ► For pressing in ► Fix fast assembly ► With premounted expanding sockets 	<ul style="list-style-type: none"> ► For screwing on ► For pressing in ► Fix fast assembly ► With premounted expanding sockets
Door / door frame material	Wood, glass / wood, aluminium	Wood, glass / wood, aluminium
Installation	Clip on installation	Clip on installation
Closing system	<ul style="list-style-type: none"> ► With self closing feature ► With free swinging feature 	<ul style="list-style-type: none"> ► With self closing feature ► With free swinging feature
Silent System	<ul style="list-style-type: none"> ► Integrated Silent System ► Without Silent System 	Optional
Opening angle	95° - 110°, 165°	95°, 110°, 165°
Zero protrusion hinge	165° (Optional soft opening)	165°
Door adjustment	3-dimensional	3-dimensional
Mounting plate system	System 8099 with oblong hole and eccentric cam height adjustment	System 8099 with oblong hole and eccentric cam height adjustment
Optional equipment	<ul style="list-style-type: none"> ► Opening system Push to open ► Accessories 	<ul style="list-style-type: none"> ► Opening system Push to open ► Silent System ► Accessories

Fast assembly concealed hinge

- ▶ Sensys with integrated Silent System
- ▶ Key selling points



Sensys hinge:

Ultimate Silent System perfectly designed



Stand apart from the competition!

Outstanding furniture design doesn't stop at the hinges. The easy way to meet customer demands: with well balanced, award winning Sensys design.



Less work!

No adjustment necessary. No matter whether large or heavy, the door always closes reliably and gently. As a result of the unusually wide automatic closing angle of 35°.



Maximum customer satisfaction!

No doors slamming when it's hot, no doors left standing open when it's cold. Sensys is optimised for reliable performance over a wide temperature range from + 5°C to + 40°C.



Reduce costs!

Some commonly used door formats normally hung on 3 or more hinges can often be mounted with one hinge less. As a result of best in class Silent System performance from Sensys.

- ▶ Sensys
- ▶ Range summary



Sensys 110° standard hinge

- ▶ Sensys 8645i / 8645 / 8675
- ▶ 110° opening angle

16 - 19



Sensys 95° thick door hinge

- ▶ Sensys 8631i / 8631 / 8661
- ▶ For narrow reveals between thick doors

20 - 25



Sensys 110° thin door hinge

- ▶ Sensys 8646i / 8646
- ▶ For thin doors

26 - 29



Sensys 165° zero protrusion hinge

- ▶ Sensys 8657i / 8657 / 8687
- ▶ For unobstructed access to storage space

30 - 33



Sensys W30 angle hinge

- ▶ Sensys 8639i W30 / 8639 W30 / 8669 W30
- ▶ For 30° face angle applications

34 - 37



Sensys W45 angle hinge

- ▶ Sensys 8639i W45 / 8639 W45 / 8669 W45
- ▶ For face angle 45°

38 - 41



Sensys W90 angle hinge

- ▶ Sensys 8639i W90 / 8639 W90 / 8669 W90
- ▶ For 90° face angle applications

42 - 45



Sensys aluminium framed hinge

- ▶ Sensys 8638i
- ▶ For aluminium framed doors

46 - 47



Intermat folding door hinge

- ▶ Intermat 9930 with cup in Sensys design
- ▶ For folding doors

48 - 49



Mounting plates

- ▶ System 8099
- ▶ For Sensys and Intermat hinges

104 - 105



Adapter for glue mounting and Accessories

- ▶ For Sensys

50 - 51, 106 - 110



Technical information

52 - 67


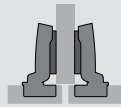
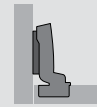
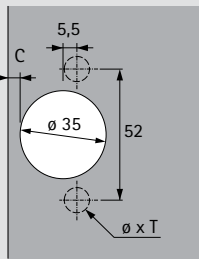
Fast assembly concealed hinge with integrated Silent System

- ▶ Sensys 8645i
- ▶ Opening angle 110°



- ▶ Concealed hinge with clip on installation and integrated Silent System
- ▶ Quality classification under EN 15570, Level 3
- ▶ For door thickness 15 - 24 mm
- ▶ Cup diameter 35 mm
- ▶ Cup depth 12.8 mm
- ▶ Integrated overlay adjustment + 2 mm / - 2 mm
- ▶ Integrated depth adjustment + 3 mm / - 2 mm
- ▶ Height adjustment at mounting plate
- ▶ Hinge arm material: nickel plated steel
- ▶ Hinge cup material: nickel plated steel

Sensys 8645i, opening angle 110°

Cup assembly	Drilling pattern	Mounting hole ϕ x T mm	Full overlay	Half overlay	Inset	PU
						
For screwing on TH 52		-	Basis B 12,5 mm	Basis B 3 mm	Basis B -4 mm	
For pressing in TH 53		ϕ 10 x 11	9 071 205 <input checked="" type="checkbox"/>	9 071 206 <input checked="" type="checkbox"/>	9 071 207 <input checked="" type="checkbox"/>	200 ea.
Fix fast installation THS 55		ϕ 10 x 6	9 071 208 <input checked="" type="checkbox"/>	9 071 209 <input checked="" type="checkbox"/>	9 071 210 <input checked="" type="checkbox"/>	200 ea.
With premounted expanding sockets TH 58		ϕ 10 x 11	9 071 220 <input checked="" type="checkbox"/>	9 071 221 <input checked="" type="checkbox"/>	9 071 222 <input checked="" type="checkbox"/>	200 ea.
			9 073 567 <input checked="" type="checkbox"/>	9 073 568 <input checked="" type="checkbox"/>	9 073 569 <input checked="" type="checkbox"/>	200 ea.



Item stocked in New Zealand


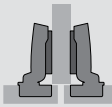

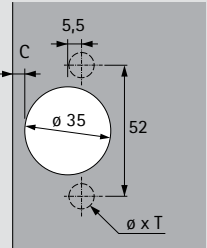
Fast assembly concealed hinge without integrated Silent System

- ▶ Sensys 8645
- ▶ Opening angle 110°



- ▶ Concealed hinge with clip on installation without integrated Silent System
- ▶ Quality classification under EN 15570, Level 3
- ▶ For door thickness 15 - 22 mm
- ▶ Cup diameter 35 mm
- ▶ Cup depth 12.8 mm
- ▶ Integrated overlay adjustment + 2 mm / - 2 mm
- ▶ Integrated depth adjustment + 3 mm / - 2 mm
- ▶ Height adjustment at mounting plate
- ▶ Hinge arm material: nickel plated steel
- ▶ Hinge cup material: nickel plated steel

Sensys 8645, opening angle 110°

Cup assembly	Drilling pattern	Mounting hole \varnothing x T mm	Full overlay	Half overlay	Inset	PU
						
For screwing on TH 52		-	Basis B 12,5 mm	Basis B 3 mm	Basis B -4 mm	
For pressing in TH 53		9 071 259 ✓	9 071 260 ✓	9 071 261 ✓	200 ea.	
Fix fast installation THS 55		\varnothing 10 x 11	9 071 262	9 071 263	9 071 264	200 ea.
With premounted expanding sockets TH 58		\varnothing 10 x 6	9 071 274 ✓	9 071 275 ✓	9 071 276 ✓	200 ea.
		\varnothing 10 x 11	9 073 576	9 073 577	9 073 578	200 ea.



Item stocked in New Zealand


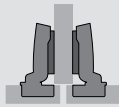

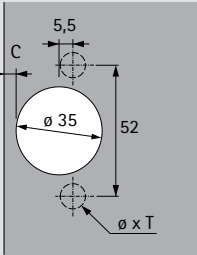
Fast assembly concealed hinge without self closing feature

- ▶ Sensys 8675
- ▶ Opening angle 110°



- ▶ Hinge with clip on installation without self closing feature
- ▶ For example for Push to open applications
- ▶ Quality classification under EN 15570, Level 3
- ▶ For door thickness 15 - 24 mm
- ▶ Cup diameter 35 mm
- ▶ Cup depth 12.8 mm
- ▶ Integrated overlay adjustment + 2 mm / - 2 mm
- ▶ Integrated depth adjustment + 3 mm / - 2 mm
- ▶ Height adjustment at mounting plate
- ▶ Hinge arm material: nickel plated steel
- ▶ Hinge cup material: nickel plated steel

Sensys 8675, opening angle 110°

Cup assembly	Drilling pattern	Mounting hole ϕ x T mm	Full overlay	Half overlay	Inset	PU
						
For screwing on TH 52		-	9 073 662 <input checked="" type="checkbox"/>	9 073 663 <input checked="" type="checkbox"/>	9 073 664 <input checked="" type="checkbox"/>	50 ea.
For pressing in TH 53		ϕ 10 x 11	9 073 665	9 073 666	9 073 667	50 ea.
Fix fast installation THS 55		ϕ 10 x 6	9 073 668 <input checked="" type="checkbox"/>	9 073 669 <input checked="" type="checkbox"/>	9 073 670 <input checked="" type="checkbox"/>	50 ea.
With premounted expanding sockets TH 58		ϕ 10 x 11	9 073 704	9 073 705	9 073 706	50 ea.



Item stocked in New Zealand

Fast assembly concealed hinge

- ▶ Sensys 8645i / Sensys 8645 / Sensys 8675
- ▶ Opening angle 110°

Minimum reveal per door

Door thickness mm	Cup distance C mm					
	3.0	4.0	4.5	5.0	6.0	7.0
15	0.2	0.2	0.2	0.2	0.2	0.2
16	0.3	0.3	0.3	0.3	0.3	0.3
17	0.4	0.4	0.4	0.4	0.4	0.4
18	0.6	0.6	0.6	0.6	0.6	0.5
19	0.8	0.8	0.8	0.8	0.7	0.7
20	1.1	1.0	1.0	1.0	1.0	0.9
21	1.4	1.3	1.3	1.3	1.2	1.2
22	2.2	1.8	1.7	1.6	1.6	1.5
23	3.0	2.6	2.4	2.2	2.0	1.9
24	3.9	3.4	3.2	3.0	2.6	2.4

Please note:

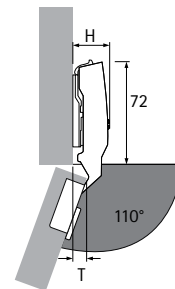
The table entries refer to doors with an edge radius of 1 mm.

On doors with other radii, the minimum reveal changes as follows:

Radius 0 mm:
Values shown in table + 0.4 mm

Radius 3 mm:
Values shown in table - 0.6 mm

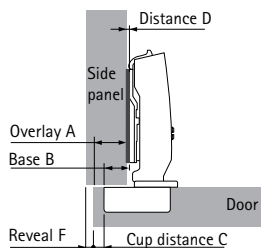
Protrusions / installed depth



Hinge protrusion H / door protrusion T for distance D = 0 mm and cup distance C = 3 mm

Door mounting option	H mm	T mm
Full overlay	25.0	8.5
Half overlay	31.0	18.0
Inset	38.0	25.0

Full overlay

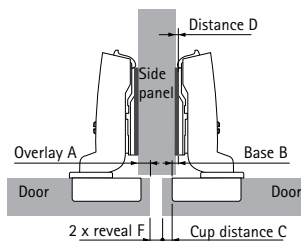


$$\text{Distance D} = \text{C} + \text{B} - \text{A}$$

$$= \text{cup distance C} + 12.5 \text{ mm} - \text{overlay A}$$

Overlay mm	Cup distance C mm					
	3.0	4.0	4.5	5.0	6.0	7.0
Distance D mm						
10	5.5	6.5	7.0	7.5	8.5	9.5
11	4.5	5.5	6.0	6.5	7.5	8.5
12	3.5	4.5	5.0	5.5	6.5	7.5
13	2.5	3.5	4.0	4.5	5.5	6.5
14	1.5	2.5	3.0	3.5	4.5	5.5
15	0.5	1.5	2.0	2.5	3.5	4.5
16		0.5	1.0	1.5	2.5	3.5
17			0.0	0.5	1.5	2.5
18					0.5	1.5
19						0.5

Half overlay

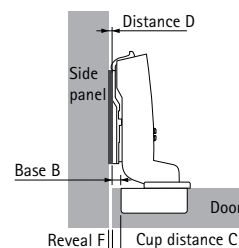


$$\text{Distance D} = \text{C} + \text{B} - \text{A}$$

$$= \text{cup distance C} + 3 \text{ mm} - \text{overlay A}$$

Overlay mm	Cup distance C mm					
	3.0	4.0	4.5	5.0	6.0	7.0
Distance D mm						
0.5	5.5	6.5	7.0	7.5	8.5	9.5
1.5	4.5	5.5	6.0	6.5	7.5	8.5
2.5	3.5	4.5	5.0	5.5	6.5	7.5
3.5	2.5	3.5	4.0	4.5	5.5	6.5
4.5	1.5	2.5	3.0	3.5	4.5	5.5
5.5	0.5	1.5	2.0	2.5	3.5	4.5
6.5		0.5	1.0	1.5	2.5	3.5
7.5			0.0	0.5	1.5	2.5
8.5					0.5	1.5
9.5						0.5

Inset



$$\text{Distance D} = \text{C} + \text{B} + \text{F}$$

$$= \text{cup distance C} - 4 \text{ mm} + \text{reveal F}$$

Door thickness mm	Cup distance C mm					
	3.0	4.0	4.5	5.0	6.0	7.0
Distance D mm						
15	0.2	0.7	1.2	2.2	3.2	
16	0.3	0.8	1.3	2.3	3.3	
17	0.4	0.9	1.4	2.4	3.4	
18	0.6	1.1	1.6	2.6	3.5	
19	0.8	1.3	1.8	2.7	3.7	
20	0.1	1.0	1.5	2.0	3.0	3.9
21	0.4	1.3	1.8	2.3	3.2	4.2
22	1.2	1.8	2.2	2.6	3.6	4.5
23	2.0	2.6	2.9	3.2	4.0	4.9
24	2.9	3.4	3.7	4.0	4.6	5.4

Advice

- ▶ For mounting plates and accessories, see page 104 - 105, 106 - 110
- ▶ For example applications, fitting information, installation notes and quality criteria, see page 52 - 67


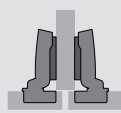
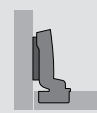
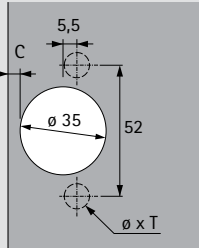
Fast assembly concealed hinge with integrated Silent System

- ▶ Sensys 8631i for thick doors
- ▶ 95° opening angle



- ▶ Concealed hinge with clip on installation and integrated Silent System
- ▶ Quality classification under EN 15570, Level 2
- ▶ For door thickness of 15 – 32 mm
- ▶ Cup diameter 35 mm
- ▶ Cup depth 12.8 mm
- ▶ Integrated overlay adjustment + 2 mm / - 2 mm
- ▶ Integrated depth adjustment + 3 mm / - 2 mm
- ▶ Height adjustment at mounting plate
- ▶ Hinge arm material: nickel plated steel
- ▶ Hinge cup material: nickel plated steel

Sensys 8631i, opening angle 95°

Cup assembly	Drilling pattern	Mounting hole ϕ x T mm	Full overlay	Half overlay	Inset	PU
						
For screwing on TH 52		-	9 090 260 <input checked="" type="checkbox"/>	9 090 270 <input checked="" type="checkbox"/>	9 090 280 <input checked="" type="checkbox"/>	200 ea.
For pressing in TH 53		ϕ 10 x 11	9 090 261 <input checked="" type="checkbox"/>	9 090 271 <input checked="" type="checkbox"/>	9 090 281 <input checked="" type="checkbox"/>	200 ea.
With premounted expanding sockets TH 58		ϕ 10 x 11	9 090 266 <input checked="" type="checkbox"/>	9 090 276 <input checked="" type="checkbox"/>	9 090 286 <input checked="" type="checkbox"/>	200 ea.



Item stocked in New Zealand

Fast assembly concealed hinge without integrated Silent System

- ▶ Sensys 8631 for thick doors
- ▶ 95° opening angle



- ▶ Concealed hinge with clip on installation without integrated Silent System
- ▶ Quality classification under EN 15570, Level 2
- ▶ For door thickness of 15 – 32 mm
- ▶ Cup diameter 35 mm
- ▶ Cup depth 12.8 mm
- ▶ Integrated overlay adjustment + 2 mm / - 2 mm
- ▶ Integrated depth adjustment + 3 mm / - 2 mm
- ▶ Height adjustment at mounting plate
- ▶ Hinge arm material: nickel plated steel
- ▶ Hinge cup material: nickel plated steel

Sensys 8631, opening angle 95°

Cup assembly	Drilling pattern	Mounting hole \varnothing x T mm	Full overlay	Half overlay	Inset	PU
			Base B 12,5 mm	Base B 3 mm	Base B -4 mm	
For screwing on TH 52		-	9 091 490 ✓	9 091 500 ✓	9 091 510 ✓	50 ea.
For pressing in TH 53		\varnothing 10 x 11	9 091 491	9 091 501	9 091 511	50 ea.
With premounted expanding sockets TH 58		\varnothing 10 x 11	9 091 496	9 091 506	9 091 516	50 ea.



Item stocked in New Zealand


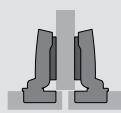
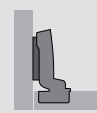
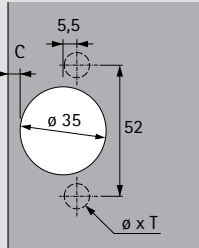
Fast assembly concealed hinge without self closing feature

- ▶ Sensys 8661 for thick doors
- ▶ 95° opening angle



- ▶ Hinge with clip on installation without self closing feature
- ▶ For example for Push to open applications
- ▶ Quality classification under EN 15570, Level 2
- ▶ For door thickness of 15 – 32 mm
- ▶ Cup diameter 35 mm
- ▶ Cup depth 12.8 mm
- ▶ Integrated overlay adjustment + 2 mm / - 2 mm
- ▶ Integrated depth adjustment + 3 mm / - 2 mm
- ▶ Height adjustment at mounting plate
- ▶ Hinge arm material: nickel plated steel
- ▶ Hinge cup material: nickel plated steel

Sensys 8661, opening angle 95°

Cup assembly	Drilling pattern	Mounting hole ϕ x T mm	Full overlay	Half overlay	Inset	PU
						
For screwing on TH 52		-	9 091 580 ✓	9 091 590 ✓	9 091 600 ✓	50 ea.
For pressing in TH 53		ϕ 10 x 11	9 091 581	9 091 591	9 091 601	50 ea.
With premounted expanding sockets TH 58		ϕ 10 x 11	9 091 586	9 091 596	9 091 606	50 ea.



Item stocked in New Zealand

Fast assembly concealed hinge

- ▶ Sensys 8631i / Sensys 8631 / Sensys 8661 for thick doors
- ▶ 95° opening angle

Minimum reveal per door

Doorthickness mm	Cup distance C mm						
	3.0	4.0	4.5	5.0	6.0	7.0	8.0
15	0.1	0.1	0.1	0.1	0.1	0.1	0.1
16	0.1	0.1	0.1	0.1	0.1	0.1	0.1
17	0.2	0.2	0.2	0.2	0.2	0.2	0.2
18	0.2	0.2	0.2	0.2	0.2	0.2	0.2
19	0.3	0.3	0.3	0.3	0.3	0.3	0.3
20	0.4	0.4	0.4	0.4	0.4	0.4	0.4
21	0.6	0.6	0.6	0.6	0.6	0.6	0.6
22	0.7	0.7	0.7	0.7	0.7	0.7	0.7
23	0.9	0.9	0.9	0.9	0.9	0.9	0.9
24	1.1	1.0	1.0	1.0	1.0	1.0	1.0
25	1.3	1.2	1.2	1.2	1.2	1.2	1.2
26	1.5	1.5	1.4	1.4	1.4	1.4	1.4
27	1.7	1.7	1.7	1.7	1.6	1.6	1.6
28	2.0	2.0	1.9	1.9	1.9	1.8	1.8
29	2.9	2.3	2.2	2.2	2.2	2.1	2.1
30	3.8	3.2	3.0	2.7	2.5	2.4	2.4
31	4.8	4.1	3.8	3.6	3.1	2.7	2.7
32	5.7	5.1	4.8	4.5	3.9	3.4	3.0

Please note:

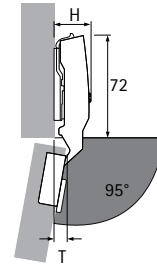
The table entries refer to doors with an edge radius of 1 mm.

On doors with other radii, the minimum reveal changes as follows:

Radius 0 mm:

Values shown in table + 0.4 mm

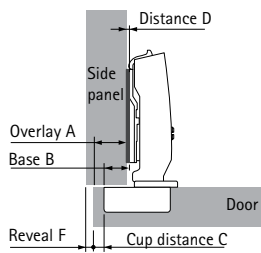
Protrusions / installed depth



Hinge protrusion H / door protrusion T for distance D = 0 mm and cup distance C = 3 mm

Door mounting option	H mm	T mm
Full overlay	24.0	12.5
Half overlay	28.3	22.0
Inset	35.3	29.0

Full overlay

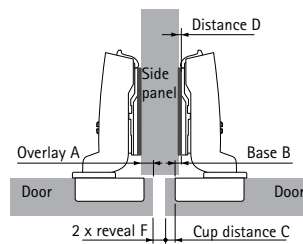


$$\text{Distance D} = \text{C} + \text{B} - \text{A}$$

= cup distance C + 12.5 mm - overlay A

Overlay mm	Cup distance C mm						
	3.0	4.0	4.5	5.0	6.0	7.0	8.0
Distance D mm							
10	5.5	6.5	7.0	7.5	8.5	9.5	10.5
11	4.5	5.5	6.0	6.5	7.5	8.5	9.5
12	3.5	4.5	5.0	5.5	6.5	7.5	8.5
13	2.5	3.5	4.0	4.5	5.5	6.5	7.5
14	1.5	2.5	3.0	3.5	4.5	5.5	6.5
15	0.5	1.5	2.0	2.5	3.5	4.5	5.5
16		0.5	1.0	1.5	2.5	3.5	4.5
17			0.0	0.5	1.5	2.5	3.5
18					0.5	1.5	2.5
19						0.5	1.5
20							0.5

Half overlay

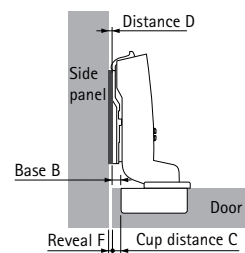


$$\text{Distance D} = \text{C} + \text{B} - \text{A}$$

= cup distance C + 3 mm - overlay A

Overlay mm	Cup distance C mm						
	3.0	4.0	4.5	5.0	6.0	7.0	8.0
Distance D mm							
0.5	5.5	6.5	7.0	7.5	8.5	9.5	10.5
1.5	4.5	5.5	6.0	6.5	7.5	8.5	9.5
2.5	3.5	4.5	5.0	5.5	6.5	7.5	8.5
3.5	2.5	3.5	4.0	4.5	5.5	6.5	7.5
4.5	1.5	2.5	3.0	3.5	4.5	5.5	6.5
5.5	0.5	1.5	2.0	2.5	3.5	4.5	5.5
6.5		0.5	1.0	1.5	2.5	3.5	4.5
7.5			0.0	0.5	1.5	2.5	3.5
8.5					0.5	1.5	2.5
9.5						0.5	1.5
10.5							0.5

Inset



$$\text{Distance D} = \text{C} + \text{B} + \text{F}$$

= cup distance C - 4 mm + reveal F

Doorthickness mm	Cup distance C mm						
	3.0	4.0	4.5	5.0	6.0	7.0	8.0
Distance D mm							
15	0.1	0.6	1.1	2.1	3.1	4.1	
16	0.1	0.6	1.1	2.1	3.1	4.1	
17	0.2	0.7	1.2	2.2	3.2	4.2	
18	0.2	0.7	1.2	2.2	3.2	4.2	
19	0.3	0.8	1.3	2.3	3.3	4.3	
20	0.4	0.9	1.4	2.4	3.4	4.4	
21	0.6	1.1	1.6	2.6	3.6	4.6	
22	0.7	1.2	1.7	2.7	3.7	4.7	
23	0.9	1.4	1.9	2.9	3.9	4.9	
24	0.1	1.0	1.5	2.0	3.0	4.0	5.0
25	0.3	1.2	1.7	2.2	3.2	4.2	5.2
26	0.5	1.5	1.9	2.4	3.4	4.4	5.4
27	0.7	1.7	2.2	2.7	3.6	4.6	5.6
28	1.0	2.0	2.4	2.9	3.9	4.8	5.8
29	1.9	2.3	2.7	3.2	4.2	5.1	6.1
30	2.8	3.2	3.5	3.7	4.5	5.4	6.4
31	3.8	4.1	4.3	4.6	5.1	5.7	6.7
32	4.7	5.1	5.3	5.5	5.9	6.4	7.0

Advice

- ▶ For mounting plates and accessories, see page 104 - 105, 106 - 110
- ▶ For example applications, fitting information, installation notes and quality criteria, see page 52 - 67

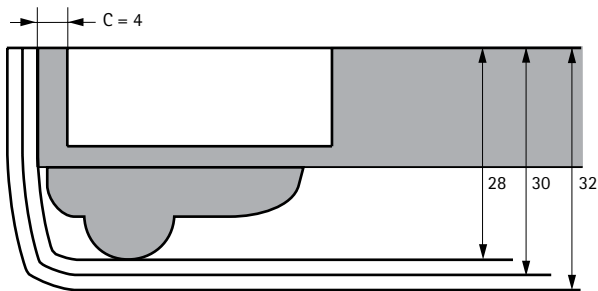
- ▶ Sensys 8631i / Sensys 8631 / Sensys 8661 for thick doors
- ▶ 95° opening angle

Door contours for minimum reveal application - scale 1:1

The values shown in the Minimum reveal table refer to an edge radius of 1 mm. Smaller reveal values apply if door edges are more rounded.
To obtain a minimum reveal application, the chosen door contour must lie within the template illustrated below. All contours protruding beyond the template will increase the reveal accordingly.

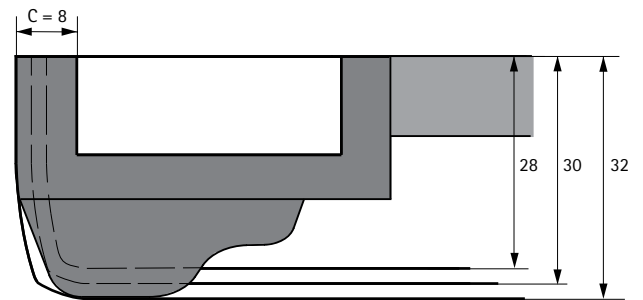


Example of minimum reveal application



Example of minimum reveal application

Door thickness	16 mm
Profile thickness	12 mm
Overall thickness	28 mm
Cup distance C	4 mm

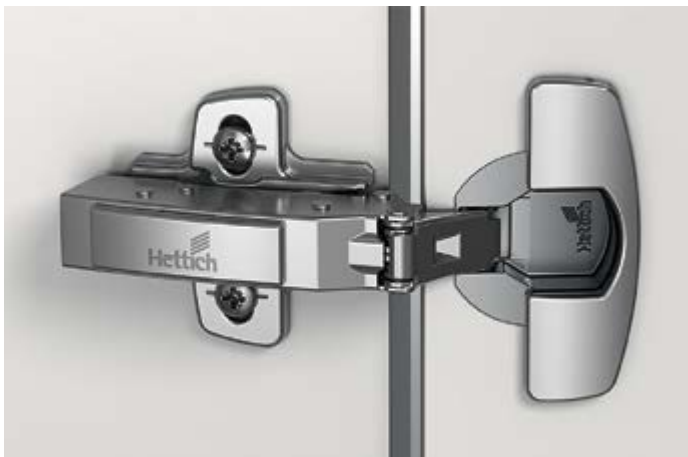


Example of minimum reveal application

Door thickness	19 mm
Profile thickness	13 mm
Overall thickness	32 mm
Cup distance C	8 mm


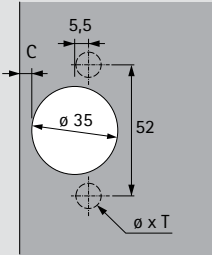
Fast assembly concealed hinge with integrated Silent System

- ▶ Sensys 8646i for thin doors
- ▶ 110° opening angle

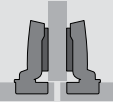
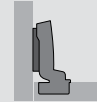
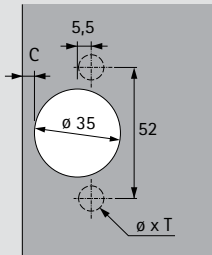


- ▶ Concealed hinge with clip on installation and integrated Silent System
- ▶ For door thickness of 10 – 16 mm
- ▶ Cup diameter 35 mm
- ▶ Cup depth 7.8 mm
- ▶ Integrated overlay adjustment + 2 mm / - 2 mm
- ▶ Integrated depth adjustment + 3 mm / - 2 mm
- ▶ Height adjustment at mounting plate
- ▶ Hinge arm material: nickel plated steel
- ▶ Hinge cup material: nickel plated steel
- ▶ **Note:** The method selected for attaching the hinge to the door must be suitable for the type and quality of door material and tested for a secure fit.

Sensys 8646i, opening angle 110°

Cup assembly	Drilling pattern	Mounting hole ø x T mm	Full overlay 	Base B 12,5 mm	PU
For screwing on TH 52		-	9 094 000 <input checked="" type="checkbox"/>	200 ea.	
For pressing in TH 53		ø 10 x 8	9 094 001 <input checked="" type="checkbox"/>	200 ea.	
With premounted expanding sockets TH 58		ø 10 x 8	9 094 006 <input checked="" type="checkbox"/>	200 ea.	

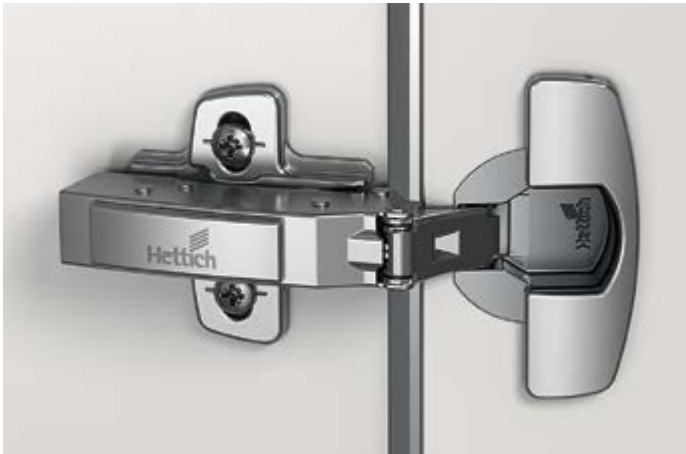
Sensys 8646i, opening angle 110°

Cup assembly	Drilling pattern	Mounting hole ø x T mm	Half overlay 	Inset 	Base B 3 mm	Base B -4 mm	PU
For screwing on TH 52		-	9 094 280 <input checked="" type="checkbox"/>	9 094 290 <input checked="" type="checkbox"/>	50 ea.		
For pressing in TH 53		ø 10 x 8	9 094 281 <input checked="" type="checkbox"/>	9 094 291 <input checked="" type="checkbox"/>	50 ea.		
With premounted expanding sockets TH 58		ø 10 x 8	9 094 286 <input checked="" type="checkbox"/>	9 094 296 <input checked="" type="checkbox"/>	50 ea.		

Item stocked in New Zealand

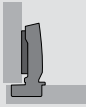
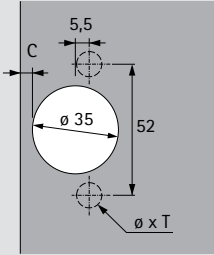
Fast assembly concealed hinge without integrated Silent System

- ▶ Sensys 8646 for thin doors
- ▶ 110° opening angle

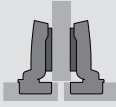

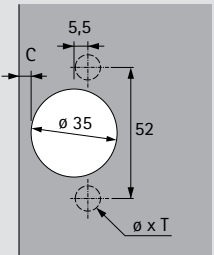


- ▶ Concealed hinge with clip on installation without integrated Silent System
- ▶ For door thickness of 10 – 16 mm
- ▶ Cup diameter 35 mm
- ▶ Cup depth 7.8 mm
- ▶ Integrated overlay adjustment + 2 mm / - 2 mm
- ▶ Integrated depth adjustment + 3 mm / - 2 mm
- ▶ Height adjustment at mounting plate
- ▶ Hinge arm material: nickel plated steel
- ▶ Hinge cup material: nickel plated steel
- ▶ **Note:** The method selected for attaching the hinge to the door must be suitable for the type and quality of door material and tested for a secure fit.

Sensys 8646, opening angle 110°

Cup assembly	Drilling pattern	Mounting hole ø x T mm	Full overlay 	PU
For screwing on TH 52		-	Base B 12,5 mm	9 094 090 <input checked="" type="checkbox"/> 200 ea.
For pressing in TH 53		ø 10 x 8		9 094 091 200 ea.
With premounted expanding sockets TH 58		ø 10 x 8		9 094 096 200 ea.

Sensys 8646, opening angle 110°

Cup assembly	Drilling pattern	Mounting hole ø x T mm	Half overlay 	Inset 	PU
For screwing on TH 52		-	Base B 3 mm	9 094 370 <input checked="" type="checkbox"/> 9 094 380 <input checked="" type="checkbox"/> 50 ea.	
For pressing in TH 53		ø 10 x 8		9 094 371 9 094 381 50 ea.	
With premounted expanding sockets TH 58		ø 10 x 8		9 094 376 9 094 386 50 ea.	



Item stocked in New Zealand

Fast assembly concealed hinge

- ▶ Sensys 8646i / Sensys 8646
- ▶ 110° opening angle

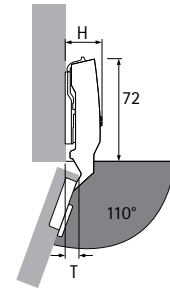
Minimum reveal per door

Door thickness mm	Cup distance C mm					
	3.0	4.0	4.5	5.0	6.0	7.0
10	0.1	0.1	0.1	0.1	0.1	0.1
11	0.2	0.2	0.2	0.2	0.2	0.2
12	0.4	0.4	0.4	0.4	0.4	0.4
13	0.6	0.6	0.5	0.5	0.5	0.5
14	0.8	0.8	0.7	0.7	0.7	0.7
15	1.0	1.0	1.0	1.0	0.9	0.9
16	1.3	1.3	1.3	1.2	1.2	1.2

Please note:

The table entries refer to doors with an edge radius of 1 mm.

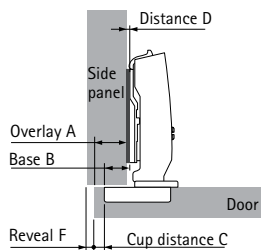
Protrusions / installed depth



Hinge protrusion H / door protrusion T for distance D = 0 mm and cup distance C = 3 mm

Door mounting option	H mm	T mm
Full overlay	25.0	8.5
Half overlay	31.0	18.0
Inset	38.0	25.0

Full overlay

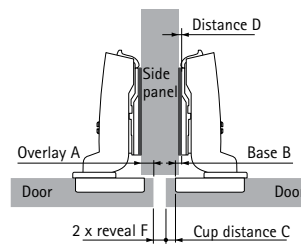


$$\text{Distance D} = C + B - A$$

$$= \text{cup distance C} + 12.5 \text{ mm} - \text{overlay A}$$

Overlay mm	Cup distance C mm					
	3.0	4.0	4.5	5.0	6.0	7.0
Distance D mm						
10	5.5	6.5	7.0	7.5	8.5	9.5
11	4.5	5.5	6.0	6.5	7.5	8.5
12	3.5	4.5	5.0	5.5	6.5	7.5
13	2.5	3.5	4.0	4.5	5.5	6.5
14	1.5	2.5	3.0	3.5	4.5	5.5
15	0.5	1.5	2.0	2.5	3.5	4.5
16		0.5	1.0	1.5	2.5	3.5
17			0.0	0.5	1.5	2.5
18					0.5	1.5
19						0.5

Half overlay

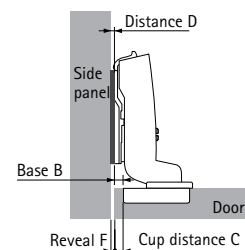


$$\text{Distance D} = C + B - A$$

$$= \text{cup distance C} + 3 \text{ mm} - \text{overlay A}$$

Overlay mm	Cup distance C mm					
	3.0	4.0	4.5	5.0	6.0	7.0
Distance D mm						
0.5	5.5	6.5	7.0	7.5	8.5	9.5
1.5	4.5	5.5	6.0	6.5	7.5	8.5
2.5	3.5	4.5	5.0	5.5	6.5	7.5
3.5	2.5	3.5	4.0	4.5	5.5	6.5
4.5	1.5	2.5	3.0	3.5	4.5	5.5
5.5	0.5	1.5	2.0	2.5	3.5	4.5
6.5		0.5	1.0	1.5	2.5	3.5
7.5			0.0	0.5	1.5	2.5
8.5					0.5	1.5
9.5						0.5

Inset



$$\text{Distance D} = C + B + F$$

$$= \text{cup distance C} - 4 \text{ mm} + \text{reveal F}$$

Door thickness mm	Cup distance C mm					
	3.0	4.0	4.5	5.0	6.0	7.0
Distance D mm						
10	0.1	0.6	1.1	2.1	3.1	
11	0.2	0.7	1.2	2.2	3.2	
12	0.4	0.9	1.4	2.4	3.3	
13	0.6	1.0	1.5	2.5	3.5	
14	0.8	1.2	1.7	2.7	3.7	
15	0.0	1.0	1.5	2.0	2.9	3.9
16	0.3	1.3	1.8	2.2	3.2	4.2

Advice

- ▶ For mounting plates and accessories, see page 104 - 105, 106 - 110
- ▶ For example applications, fitting information, installation notes and quality criteria, see page 52 - 67

Fast assembly concealed hinge with integrated Silent System

- ▶ Sensys 8657i zero protrusion hinge
- ▶ Opening angle 165°



- ▶ Concealed hinge with clip on installation and integrated Silent System
- ▶ Quality classification under EN 15570, Level 3
- ▶ For door thickness of 15 – 32 mm
- ▶ Cup diameter 35 mm
- ▶ Cup depth 11.6 mm
- ▶ Integrated overlay adjustment + 2 mm / - 2 mm
- ▶ Integrated depth adjustment + 3 mm / - 2 mm
- ▶ Height adjustment at mounting plate
- ▶ Opening angle can be reduced by means of optional accessories
- ▶ Zero protrusion hinge
- ▶ Hinge arm material: nickel plated steel
- ▶ Hinge cup material: nickel plated steel

Sensys 8657i, opening angle 165°

Cup assembly	Drilling pattern	Mounting hole ø x T mm	Full overlay		Half overlay		PU
			Basis B 12,5 mm		Basis B 3 mm		
For screwing on TH 52		-	9 099 540	✓	9 099 550	✓	50 ea.
For pressing in TH 53		ø 10 x 11	9 099 541	✓	9 099 551	✓	50 ea.
Fix fast installation THS 55		ø 10 x 6	9 099 543	✓	9 099 553	✓	50 ea.
With premounted expanding sockets TH 58		ø 10 x 11	9 099 546	✓	9 099 556	✓	50 ea.



Item stocked in New Zealand

Fast assembly concealed hinge without integrated Silent System

- ▶ Sensys 8657, zero protrusion hinge
- ▶ Opening angle 165°



- ▶ Concealed hinge with clip on installation without integrated Silent System
- ▶ Quality classification under EN 15570, Level 3
- ▶ For door thickness of 15 – 32 mm
- ▶ Cup diameter 35 mm
- ▶ Cup depth 11.6 mm
- ▶ Integrated overlay adjustment + 2 mm / - 2 mm
- ▶ Integrated depth adjustment +3 mm / - 2 mm
- ▶ Height adjustment at mounting plate
- ▶ Opening angle can be reduced by means of optional accessories
- ▶ Zero protrusion hinge
- ▶ Hinge arm material: nickel plated steel
- ▶ Hinge cup material: nickel plated steel

Sensys 8657, opening angle 165°

Cup assembly	Drilling pattern	Mounting hole ø x T mm	Full overlay		Half overlay		PU
			Basis B 12,5 mm		Basis B 3 mm		
For screwing on TH 52		-	9 099 600	☑	9 099 610	☑	50 ea.
For pressing in TH 53		ø 10 x 11	9 099 601		9 099 611		50 ea.
Fix fast installation THS 55		ø 10 x 6	9 099 603	☑	9 099 613	☑	50 ea.
With premounted expanding sockets TH 58		ø 10 x 11	9 099 606		9 099 616		50 ea.



Item stocked in New Zealand



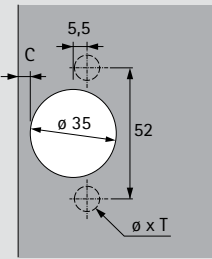
Fast assembly concealed hinge without self closing feature

- ▶ Sensys 8687, zero protrusion hinge
- ▶ Opening angle 165°



- ▶ Hinge with clip on installation without self closing feature
- ▶ For example for Push to open applications
- ▶ Quality classification under EN 15570, Level 3
- ▶ For door thickness of 15 – 32 mm
- ▶ Cup diameter 35 mm
- ▶ Cup depth 11.6 mm
- ▶ Integrated overlay adjustment + 2 mm / - 2 mm
- ▶ Integrated depth adjustment + 3 mm / - 2 mm
- ▶ Height adjustment at mounting plate
- ▶ Opening angle can be reduced by means of optional accessories
- ▶ Zero protrusion hinge
- ▶ Hinge arm material: nickel plated steel
- ▶ Hinge cup material: nickel plated steel

Sensys 8687, opening angle 165°

Cup assembly	Drilling pattern	Mounting hole ø x T mm	Full overlay		Half overlay		PU
							
For screwing on TH 52		-	9 099 660	<input checked="" type="checkbox"/>	9 099 670	<input checked="" type="checkbox"/>	50 ea.
For pressing in TH 53		ø 10 x 11	9 099 661		9 099 671		50 ea.
Fix fast installation THS 55		ø 10 x 6	9 099 663	<input checked="" type="checkbox"/>	9 099 673	<input checked="" type="checkbox"/>	50 ea.
With premounted expanding sockets TH 58		ø 10 x 11	9 099 666		9 099 676		50 ea.



Item stocked in New Zealand

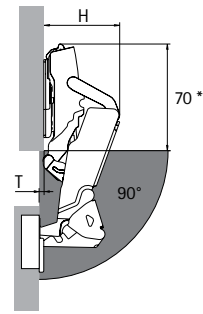
- ▶ Sensys 8657i / Sensys 8657 / Sensys 8687
- ▶ Opening angle 165°

Minimum reveal per door

Door thickness mm	Cup distance C mm					
	3.0	4.0	4.5	5.0	6.0	7.0
15	0.0	0.0	0.0	0.0	0.0	0.0
16	0.0	0.0	0.0	0.0	0.0	0.0
17	0.0	0.0	0.0	0.0	0.0	0.0
18	0.0	0.0	0.0	0.0	0.0	0.0
19	0.0	0.0	0.0	0.0	0.0	0.0
20	0.0	0.0	0.0	0.0	0.0	0.0
21	0.0	0.0	0.0	0.0	0.0	0.0
22	0.0	0.0	0.0	0.0	0.0	0.0
23	0.0	0.0	0.0	0.0	0.0	0.0
24	0.0	0.0	0.0	0.0	0.0	0.0
25	0.0	0.0	0.0	0.0	0.0	0.0
26	0.1	0.1	0.1	0.1	0.1	0.1
27	0.1	0.1	0.1	0.1	0.1	0.1
28	0.2	0.2	0.2	0.2	0.2	0.3
29*	0.4	0.4	0.4	0.4	0.5	0.6
30**	0.7	0.7	0.8	0.8	1.0	1.1
31**	1.1	1.2	1.3	1.4	1.6	
32**	1.7	1.9	2.0	2.2		

*when using the opening angle limiter at 120°
 **when using the opening angle limiter at 105°

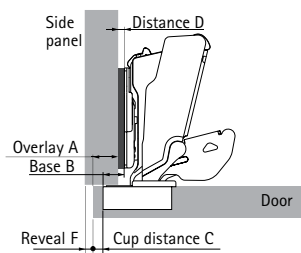
Protrusions / installed depth



No door protrusion T up to distance D = 3, unobstructed interior for pull-outs.
 *Hinge closed: 80 mm

Door mounting option	H mm (max. at 30°)	T mm (90°, D0)
Full overlay	66	-3
Half overlay	75.5	6.5

Full overlay

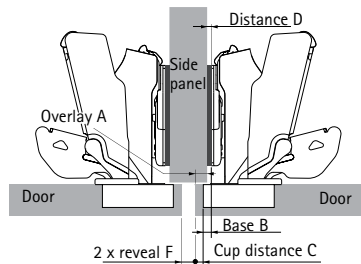


$$\text{Distance D} = \text{C} + \text{B} - \text{A}$$

= cup distance C + 12.5 mm - overlay A

Overlay mm	Cup distance C mm					
	3.0	4.0	4.5	5.0	6.0	7.0
Distance D mm						
10	5.5	6.5	7.0	7.5	8.5	9.5
11	4.5	5.5	6.0	6.5	7.5	8.5
12	3.5	4.5	5.0	5.5	6.5	7.5
13	2.5	3.5	4.0	4.5	5.5	6.5
14	1.5	2.5	3.0	3.5	4.5	5.5
15	0.5	1.5	2.0	2.5	3.5	4.5
16		0.5	1.0	1.5	2.5	3.5
17			0.0	0.5	1.5	2.5
18					0.5	1.5
19						0.5

Half overlay



$$\text{Distance D} = \text{C} + \text{B} - \text{A}$$

= cup distance C + 3 mm - overlay A

Overlay mm	Cup distance C mm					
	3.0	4.0	4.5	5.0	6.0	7.0
Distance D mm						
- 2	8.0	9.0	9.5	10.0	11.0	12.0
- 1	7.0	8.0	8.5	9.0	10.0	11.0
0	6.0	7.0	7.5	8.0	9.0	10.0
1	5.0	6.0	6.5	7.0	8.0	9.0
2	4.0	5.0	5.5	6.0	7.0	8.0
3	3.0	4.0	4.5	5.0	6.0	7.0
4	2.0	3.0	3.5	4.0	5.0	6.0
5	1.0	2.0	2.5	3.0	4.0	5.0
6	0.0	1.0	1.5	2.0	3.0	4.0
7		0.0	0.5	1.0	2.0	3.0
8				0.0	1.0	2.0
9					0.0	1.0
10						0.0

Advice

- ▶ For mounting plates and accessories, see page 104 - 105, 106 - 110
- ▶ For example applications, fitting information, installation notes and quality criteria, see page 52 - 67



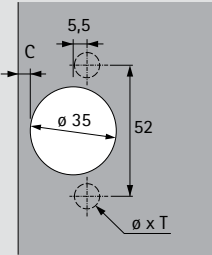
Fast assembly concealed hinge with integrated Silent System

- ▶ Sensys 8639i W30
- ▶ For 30° face angle, 95° opening angle



- ▶ Concealed hinge with clip on installation and integrated Silent System
- ▶ Quality classification under EN 15570, Level 3
- ▶ For diagonal base units, carcass angle 120°
- ▶ For door thickness 15 - 28 mm
- ▶ Cup diameter 35 mm
- ▶ Cup depth 12.8 mm
- ▶ Integrated overlay adjustment + 2 mm / - 2 mm
- ▶ Integrated depth adjustment + 3 mm / - 2 mm
- ▶ Height adjustment at mounting plate
- ▶ Hinge arm material: zinc die-cast nickel plated
- ▶ Hinge cup material: nickel plated steel

Sensys 8639i W30, opening angle 95°

Cup assembly	Drilling pattern	Mounting hole ø x T mm	Overlay		Inset		PU
				Basis B 2 mm		Basis B -16 mm	
For screwing on TH 52		-	9 088 016	<input checked="" type="checkbox"/>	9 088 017	<input checked="" type="checkbox"/>	50 ea.
For pressing in TH 53		ø 10 x 11	9 088 034	<input checked="" type="checkbox"/>	9 088 035	<input checked="" type="checkbox"/>	50 ea.
Fix fast installation THS 55		ø 10 x 6	9 088 070	<input checked="" type="checkbox"/>	9 088 071	<input checked="" type="checkbox"/>	50 ea.
With premounted expanding socket TH 58		ø 10 x 11	9 088 082	<input checked="" type="checkbox"/>	9 088 083	<input checked="" type="checkbox"/>	50 ea.



Item stocked in New Zealand



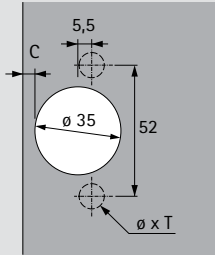
Fast assembly concealed hinge without integrated Silent System

- ▶ Sensys 8639 W30
- ▶ For 30° face angle, 95° opening angle



- ▶ Concealed hinge with clip on installation without integrated Silent System
- ▶ Quality classification under EN 15570, Level 3
- ▶ For diagonal base units, carcass angle 120°
- ▶ For door thickness 15 - 28 mm
- ▶ Cup diameter 35 mm
- ▶ Cup depth 12.8 mm
- ▶ Integrated overlay adjustment + 2 mm / - 2 mm
- ▶ Integrated depth adjustment + 3 mm / - 2 mm
- ▶ Height adjustment at mounting plate
- ▶ Hinge arm material: zinc die-cast nickel plated
- ▶ Hinge cup material: nickel plated steel

Sensys 8639 W30, opening angle 95°

Cup assembly	Drilling pattern	Mounting hole ø x T mm	Overlay		Inset		PU
				Basis B 2 mm		Basis B -16 mm	
For screwing on TH 52		-	9 088 100	<input checked="" type="checkbox"/>	9 088 101	<input checked="" type="checkbox"/>	50 ea.
For pressing in TH 53		ø 10 x 11	9 088 118		9 088 119		50 ea.
Fix fast installation THS 55		ø 10 x 6	9 088 136	<input checked="" type="checkbox"/>	9 088 137	<input checked="" type="checkbox"/>	50 ea.
With premounted expanding sockets TH 58		ø 10 x 11	9 088 154		9 088 155		50 ea.



Item stocked in New Zealand



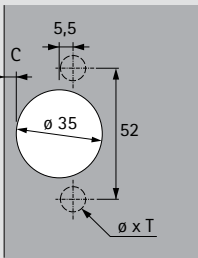
Fast assembly concealed hinge without self closing feature

- ▶ Sensys 8669 W30
- ▶ For 30° face angle, 95° opening angle



- ▶ Hinge with clip on installation without self closing feature
- ▶ For example for Push to open applications
- ▶ Quality classification under EN 15570, Level 3
- ▶ For diagonal base units, carcass angle 120°
- ▶ For door thickness 15 - 28 mm
- ▶ Cup diameter 35 mm
- ▶ Cup depth 12.8 mm
- ▶ Integrated overlay adjustment + 2 mm / - 2 mm
- ▶ Integrated depth adjustment + 3 mm / - 2 mm
- ▶ Height adjustment at mounting plate
- ▶ Hinge arm material: zinc die-cast nickel plated
- ▶ Hinge cup material: nickel plated steel

Sensys 8669 W30, opening angle 95°

Cup assembly	Drilling pattern	Mounting hole ø x T mm	Overlay		Inset		PU
				Basis B 2 mm		Basis B -16 mm	
For screwing on TH 52		-	9 088 176	<input checked="" type="checkbox"/>	9 088 177	<input checked="" type="checkbox"/>	50 ea.
For pressing in TH 53		ø 10 x 11	9 088 194		9 088 195		50 ea.
Fix fast installation THS 55		ø 10 x 6	9 088 212	<input checked="" type="checkbox"/>	9 088 213	<input checked="" type="checkbox"/>	50 ea.
With premounted expanding sockets TH 58		ø 10 x 11	9 088 224		9 088 225		50 ea.



Item stocked in New Zealand

Fast assembly concealed hinge

- ▶ Sensys 8639i W30 / Sensys 8639 W30 / Sensys 8669 W30
- ▶ For 30° face angle, 95° opening angle

Minimum reveal per door

Door thickness mm	Cup distance C mm						
	3.0	4.0	4.5	5.0	6.0	7.0	8.0
15	0.2	0.2	0.2	0.2	0.2	0.2	0.2
16	0.3	0.3	0.3	0.3	0.3	0.3	0.3
17	0.4	0.4	0.4	0.4	0.4	0.4	0.4
18	0.6	0.6	0.6	0.6	0.6	0.5	0.5
19	0.8	0.8	0.8	0.8	0.7	0.7	0.7
20	1.1	1.0	1.0	1.0	1.0	0.9	0.9
21	1.4	1.3	1.3	1.3	1.2	1.2	1.2
22	2.2	1.8	1.7	1.6	1.6	1.5	1.4
23	3.0	2.6	2.4	2.2	2.0	1.9	1.8
24	3.9	3.4	3.2	3.0	2.6	2.4	2.2
25	4.8	4.2	4.0	3.8	3.4	3.0	2.8
26	5.7	5.1	4.8	4.6	4.2	3.8	3.4
27	6.6	6.0	5.7	5.5	5.0	4.5	4.2
28	7.5	6.9	6.6	6.3	5.8	5.3	4.9

Please note:

The table entries refer to doors with an edge radius of 1 mm.

On doors with other radii, the minimum reveal changes as follows:

Radius 0 mm:
Values shown in table + 0.4 mm

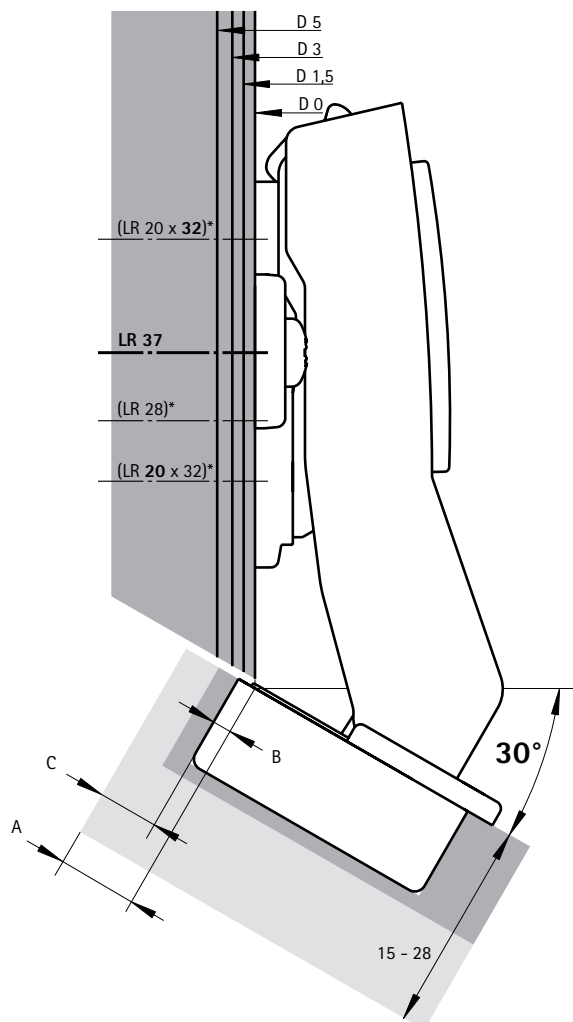
Radius 3 mm:
Values shown in table - 0.6 mm

Note

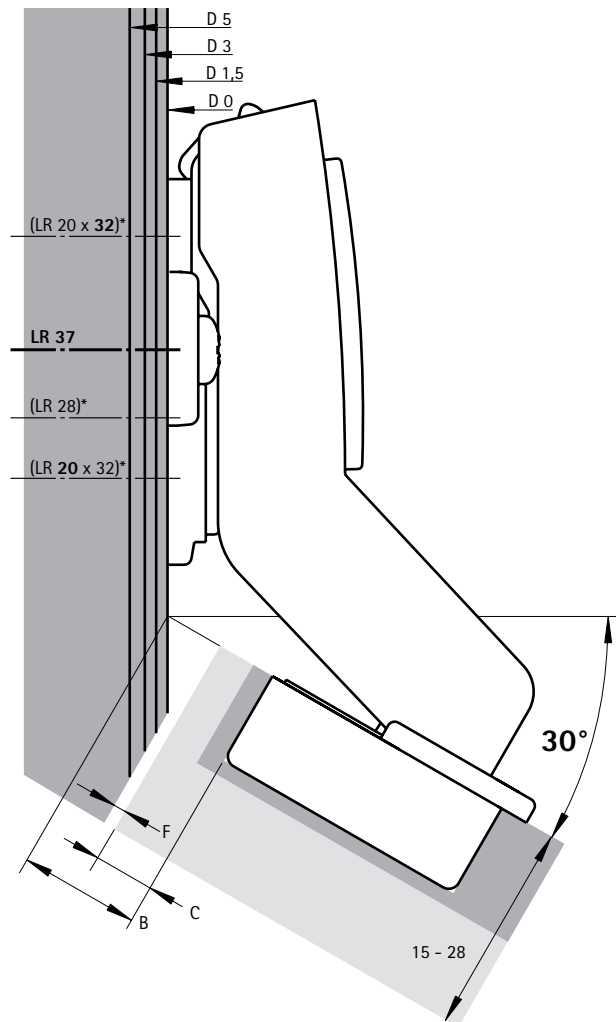
The drawings below show the hinges including mounting plate distances on a scale of 1:1. Allowing for cup distance C (3 - 8 mm) as well as the minimum reveal, the required mounting plate distance and hole line can be determined by drawing in the door and side panel.

You can visit our Hettich channel on YouTube for further information on how to configure cabinets.

Overlay (B 2 mm) - Scale 1:1



Inset (B -16 mm) - Scale 1:1



Advice

- ▶ For mounting plates and accessories, see page 104 - 105, 106 - 110
- ▶ For example applications, fitting information, installation notes and quality criteria, see page 52 - 67



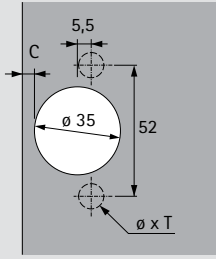
Fast assembly concealed hinge with integrated Silent System

- ▶ Sensys 8639i W45
- ▶ For 45° face angle, 95° opening angle



- ▶ Concealed hinge with clip on installation and integrated Silent System
- ▶ Quality classification under EN 15570, Level 3
- ▶ For diagonal base units, carcass angle 135°
- ▶ For door thickness 15 - 28 mm
- ▶ Cup diameter 35 mm
- ▶ Cup depth 12.8 mm
- ▶ Integrated overlay adjustment + 2 mm / - 2 mm
- ▶ Integrated depth adjustment + 3 mm / - 2 mm
- ▶ Height adjustment at mounting plate
- ▶ Hinge arm material: zinc die-cast nickel plated
- ▶ Hinge cup material: nickel plated steel

Sensys 8639i W45, opening angle 95°

Cup assembly	Drilling pattern	Mounting hole ø x T mm	Overlay	Inset	PU
					
For screwing on TH 52		-	Basis B -2 mm	Basis B -25 mm	50 ea.
For pressing in TH 53		ø 10 x 11	9 088 019 ✓	9 088 020 ✓	50 ea.
Fix fast installation THS 55		ø 10 x 6	9 088 037 ✓	9 088 038 ✓	50 ea.
With premounted expanding socket TH 58		ø 10 x 11	9 088 073 ✓	9 088 074 ✓	50 ea.
			9 088 085 ✓	9 088 086 ✓	50 ea.



Item stocked in New Zealand



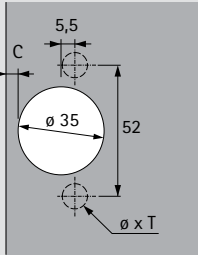
Fast assembly concealed hinge without integrated Silent System

- ▶ Sensys 8639 W45
- ▶ For 45° face angle, 95° opening angle



- ▶ Concealed hinge with clip on installation without integrated Silent System
- ▶ Quality classification under EN 15570, Level 3
- ▶ For diagonal base units, carcase angle 135°
- ▶ For door thickness 15 - 28 mm
- ▶ Cup diameter 35 mm
- ▶ Cup depth 12.8 mm
- ▶ Integrated overlay adjustment + 2 mm / - 2 mm
- ▶ Integrated depth adjustment + 3 mm / - 2 mm
- ▶ Height adjustment at mounting plate
- ▶ Hinge arm material: zinc die-cast nickel plated
- ▶ Hinge cup material: nickel plated steel

Sensys 8639 W45, opening angle 95°

Cup assembly	Drilling pattern	Mounting hole ø x T mm	Overlay	Inset	PU
					
For screwing on TH 52		-	9 088 103 <input checked="" type="checkbox"/>	9 088 104 <input checked="" type="checkbox"/>	50 ea.
For pressing in TH 53		ø 10 x 11	9 088 121	9 088 122	50 ea.
Fix fast installation THS 55		ø 10 x 6	9 088 139 <input checked="" type="checkbox"/>	9 088 140 <input checked="" type="checkbox"/>	50 ea.
With premounted expanding sockets TH 58		ø 10 x 11	9 088 157	9 088 158	50 ea.



Item stocked in New Zealand



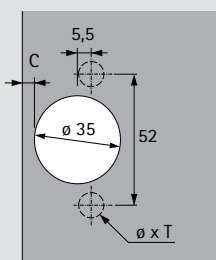
Fast assembly concealed hinge without self closing feature

- ▶ Sensys 8669 W45
- ▶ For 45° face angle, 95° opening angle



- ▶ Hinge with clip on installation without self closing feature
- ▶ For example for Push to open applications
- ▶ Quality classification under EN 15570, Level 3
- ▶ For diagonal base units, carcass angle 135°
- ▶ For door thickness 15 - 28 mm
- ▶ Cup diameter 35 mm
- ▶ Cup depth 12.8 mm
- ▶ Integrated overlay adjustment + 2 mm / - 2 mm
- ▶ Integrated depth adjustment + 3 mm / - 2 mm
- ▶ Height adjustment at mounting plate
- ▶ Hinge arm material: zinc die-cast nickel plated
- ▶ Hinge cup material: nickel plated steel

Sensys 8669 W45, opening angle 95°

Cup assembly	Drilling pattern	Mounting hole ø x T mm	Overlay	Inset	PU
					
For screwing on TH 52		-	9 088 179 ✓	9 088 180 ✓	50 ea.
For pressing in TH 53		ø 10 x 11	9 088 197	9 088 198	50 ea.
Fix fast installation THS 55		ø 10 x 6	9 088 215 ✓	9 088 216 ✓	50 ea.
With premounted expanding sockets TH 58		ø 10 x 11	9 088 227	9 088 228	50 ea.



Item stocked in New Zealand

Fast assembly concealed hinge

- ▶ Sensys 8639i W45 / Sensys 8639 W45 / Sensys 8669 W45
- ▶ For 45° face angle, 95° opening angle

Minimum reveal per door

Door thickness mm	Cup distance C mm							
	3.0	4.0	4.5	5.0	6.0	7.0	8.0	
15	0.2	0.2	0.2	0.2	0.2	0.2	0.2	
16	0.3	0.3	0.3	0.3	0.3	0.3	0.3	
17	0.4	0.4	0.4	0.4	0.4	0.4	0.4	
18	0.6	0.6	0.6	0.6	0.6	0.5	0.5	
19	0.8	0.8	0.8	0.8	0.7	0.7	0.7	
20	1.1	1.0	1.0	1.0	1.0	0.9	0.9	
21	1.4	1.3	1.3	1.3	1.2	1.2	1.2	
22	2.2	1.8	1.7	1.6	1.6	1.5	1.4	
23	3.0	2.6	2.4	2.2	2.0	1.9	1.8	
24	3.9	3.4	3.2	3.0	2.6	2.4	2.2	
25	4.8	4.2	4.0	3.8	3.4	3.0	2.8	
26	5.7	5.1	4.8	4.6	4.2	3.8	3.4	
27	6.6	6.0	5.7	5.5	5.0	4.5	4.2	
28	7.5	6.9	6.6	6.3	5.8	5.3	4.9	

Please note:

The table entries refer to doors with an edge radius of 1 mm.

On doors with other radii, the minimum reveal changes as follows:

Radius 0 mm:
Values shown in table + 0.4 mm

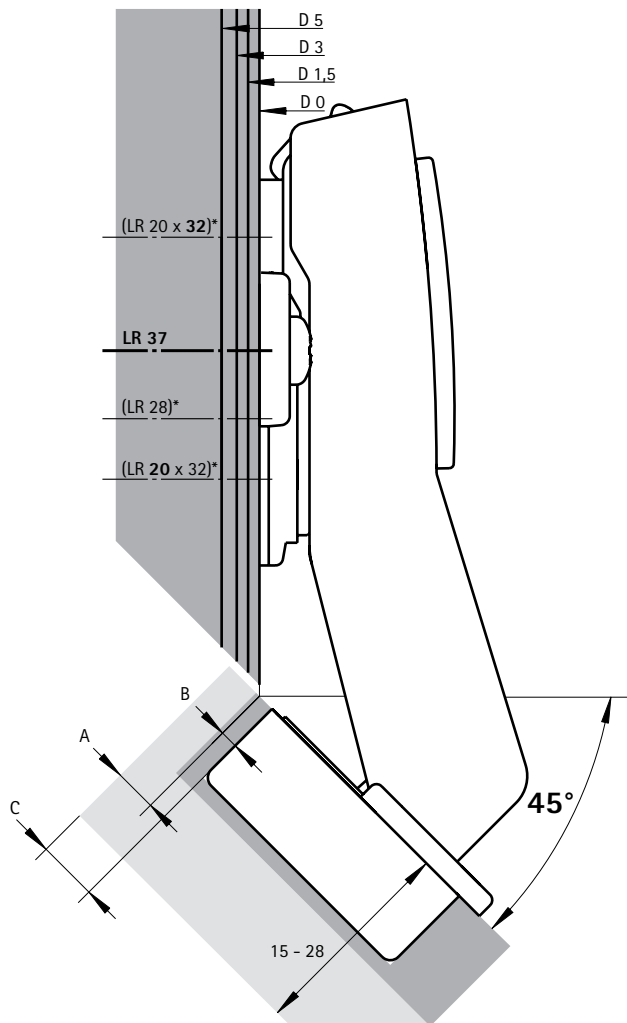
Radius 3 mm:
Values shown in table - 0.6 mm

Note

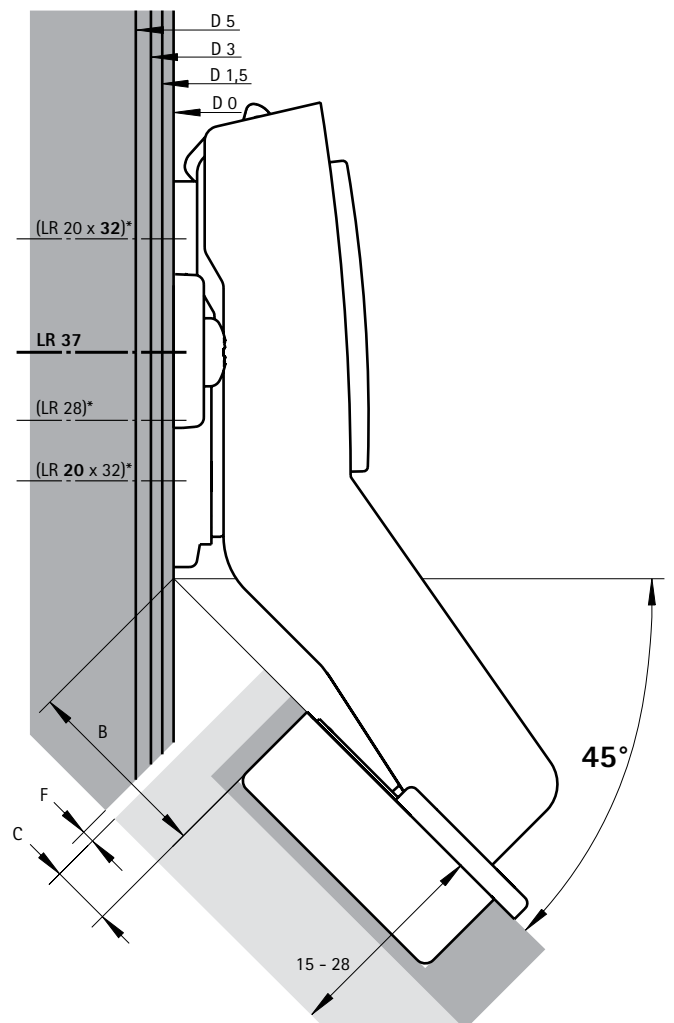
The drawings below show the hinges including mounting plate distances on a scale of 1:1. Allowing for cup distance C (3 - 8 mm) as well as the minimum reveal, the required mounting plate distance and hole line can be determined by drawing in the door and side panel.

You can visit our Hettich channel on YouTube for further information on how to configure cabinets.

Overlay (B -2 mm) - Scale 1:1



Inset (B -25 mm) - Scale 1:1



Advice

- ▶ For mounting plates and accessories, see page 104 - 105, 106 - 110
- ▶ For example applications, fitting information, installation notes and quality criteria, see page 52 - 67

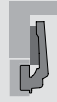
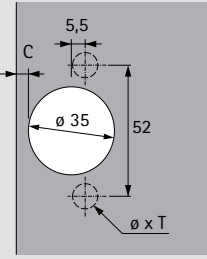
Fast assembly concealed hinge with integrated Silent System

- ▶ Sensys 8639i W90
- ▶ For 90° face angle, 95° opening angle



- ▶ Concealed hinge with clip on installation and integrated Silent System
- ▶ Quality classification under EN 15570, Level 2
- ▶ For corner cabinets
- ▶ For door thickness 15 - 28 mm
- ▶ Cup diameter 35 mm
- ▶ Cup depth 12.8 mm
- ▶ Integrated adjustment of door offset + 1 mm / - 2 mm
- ▶ Integrated reveal adjustment + 3 mm / - 2 mm
- ▶ Height adjustment at mounting plate
- ▶ Hinge arm material: zinc die-cast nickel plated
- ▶ Hinge cup material: nickel plated steel

Sensys 8639i W90, opening angle 95°

Cup assembly	Drilling pattern	Mounting hole ø x T mm	Inset 	PU
For screwing on TH 52		-	9 088 021 ✓	50 ea.
For pressing in TH 53		ø 10 x 11	9 088 039 ✓	50 ea.
Fix fast installation THS 55		ø 10 x 6	9 088 075 ✓	50 ea.
With premounted expanding sockets TH 58		ø 10 x 11	9 088 087 ✓	50 ea.



Item stocked in New Zealand

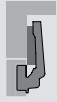
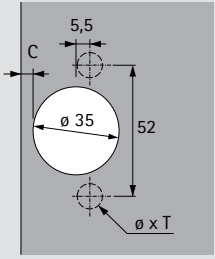
Fast assembly concealed hinge without integrated Silent System

- ▶ Sensys 8639 W90
- ▶ For 90° face angle, 95° opening angle



- ▶ Concealed hinge with clip on installation without integrated Silent System
- ▶ Quality classification under EN 15570, Level 2
- ▶ For corner cabinets
- ▶ For door thickness 15 - 28 mm
- ▶ Cup diameter 35 mm
- ▶ Cup depth 12.8 mm
- ▶ Integrated adjustment of door offset + 1 mm / - 2 mm
- ▶ Integrated reveal adjustment + 3 mm / - 2 mm
- ▶ Height adjustment at mounting plate
- ▶ Hinge arm material: zinc die-cast nickel plated
- ▶ Hinge cup material: nickel plated steel

Sensys 8639 W90, opening angle 95°

Cup assembly	Drilling pattern	Mounting hole ø x T mm	Inset  Basis B 4 mm	PU
For screwing on TH 52		-	9 088 105 ✓	50 ea.
For pressing in TH 53		ø 10 x 11	9 088 123	50 ea.
Fix fast installation THS 55		ø 10 x 6	9 088 141 ✓	50 ea.
With premounted expanding sockets TH 58		ø 10 x 11	9 088 159	50 ea.



Item stocked in New Zealand

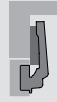
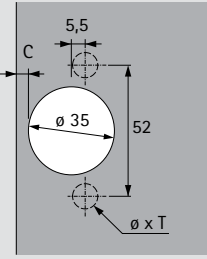


Fast assembly concealed hinge without self closing feature

- ▶ Sensys 8669 W90
- ▶ For 90° face angle, 95° opening angle



- ▶ Hinge with clip on installation without self closing feature
- ▶ For example for Push to open applications
- ▶ Quality classification under EN 15570, Level 2
- ▶ For corner cabinets
- ▶ For door thickness 15 - 28 mm
- ▶ Cup diameter 35 mm
- ▶ Cup depth 12.8 mm
- ▶ Integrated adjustment of door offset + 1 mm / - 2 mm
- ▶ Integrated reveal adjustment + 3 mm / - 2 mm
- ▶ Height adjustment at mounting plate
- ▶ Hinge arm material: zinc die-cast nickel plated
- ▶ Hinge cup material: nickel plated steel

Sensys 8669 W90, opening angle 95°

Cup assembly	Drilling pattern	Mounting hole ø x T mm	Inset 	
For screwing on TH 52		-	Basis B 4 mm	PU
For pressing in TH 53		ø 10 x 11	9 088 181 	50 ea.
Fix fast installation THS 55		ø 10 x 6	9 088 199	50 ea.
With premounted expanding sockets TH 58		ø 10 x 11	9 088 217 	50 ea.
		ø 10 x 11	9 088 229	50 ea.



Item stocked in New Zealand

Fast assembly concealed hinge

- ▶ Sensys 8639i W90 / Sensys 8639 W90 / Sensys 8669 W90
- ▶ For 90° face angle, 95° opening angle

Minimum reveal per door

Door thickness mm	Cup distance C mm					
	3.0	4.0	4.5	5.0	6.0	7.0
15	0.2	0.2	0.2	0.2	0.2	0.2
16	0.3	0.3	0.3	0.3	0.3	0.3
17	0.4	0.4	0.4	0.4	0.4	0.4
18	0.6	0.6	0.6	0.6	0.6	0.5
19	0.8	0.8	0.8	0.8	0.7	0.7
20	1.1	1.0	1.0	1.0	1.0	0.9
21	1.4	1.3	1.3	1.3	1.2	1.2
22	2.2	1.8	1.7	1.6	1.6	1.5
23	3.0	2.6	2.4	2.2	2.0	1.9
24	3.9	3.4	3.2	3.0	2.6	2.4
25	4.8	4.2	4.0	3.8	3.4	3.0
26	5.7	5.1	4.8	4.6	4.2	3.8
27	6.6	6.0	5.7	5.5	5.0	4.5
28	7.5	6.9	6.6	6.3	5.8	5.3

Please note:

The table entries refer to doors with an edge radius of 1 mm.

On doors with other radii, the minimum reveal changes as follows:

Radius 0 mm:
Values shown in table + 0.4 mm

Radius 3 mm:
Values shown in table - 0.6 mm

Note

Calculation of required mounting plate distance D and hole line distance X to be observed:
Depending on the required door offset, cup distance C (3 - 7 mm) and reveal F, the dimensions can be seen in the drawing or table below.

The values stated for the hole line distance X apply when using a cross mounting plate for hole line 37.

Hole line distance X must be adjusted when using other mounting plates.

- LR 28: X - 9 mm
- LR 20 x 32: X - 17 mm / X + 15 mm

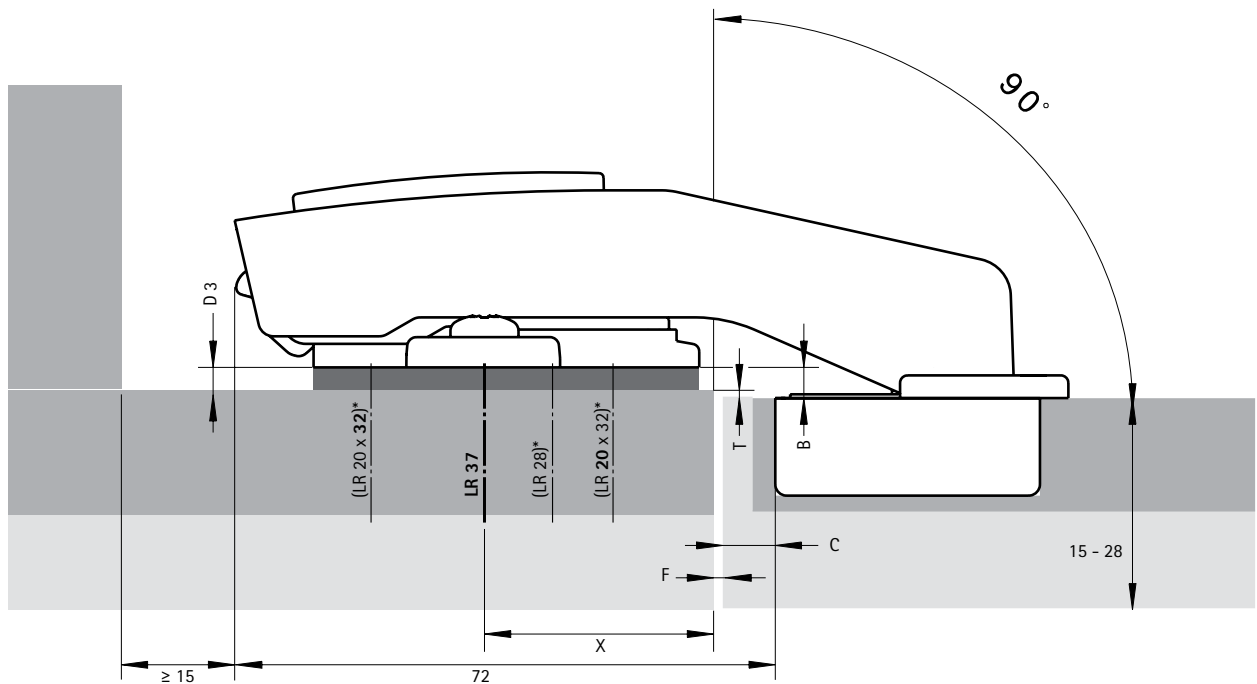
A door offset of 1 mm is recommended. Door offset can subsequently be corrected with the adjusting screw.

Determining hole line distance X mm when using mounting plate for hole line 37

Reveal mm	Cup distance C mm								
	3.0	3.5	4.0	4.5	5.0	5.5	6.0	7.0	
0.5	35.0	34.5	34.0	33.5	33.0	32.5	32.0	31.0	
1.5	34.0	33.5	33.0	32.5	32.0	31.5	31.0	30.0	
2.5	33.0	32.5	32.0	31.5	31.0	30.5	30.0	29.0	
3.5	32.0	31.5	31.0	30.5	30.0	29.5	29.0	28.0	
4.5	31.0	30.5	30.0	29.5	29.0	28.5	28.0	27.0	
5.5	30.0	29.5	29.0	28.5	28.0	27.5	27.0	26.0	
6.5	29.0	28.5	28.0	27.5	27.0	26.5	26.0	25.0	
7.5	28.0	27.5	27.0	26.5	26.0	25.5	25.0	24.0	

Inset (B 4 mm) - Scale 1:1

Distance D = 4 mm - door offset
(the recommended door offset equals 1 mm)



Advice

- ▶ For mounting plates and accessories, see page 104 - 105, 106 - 110
- ▶ For example applications, fitting information, installation notes and quality criteria, see page 52 - 67

Fast assembly concealed hinge with integrated Silent System

- ▶ Sensys 8638i for aluminium framed doors
- ▶ 95° opening angle



- ▶ Concealed hinge with clip on installation and integrated Silent System
- ▶ Quality classification under EN 15570, Level 3
- ▶ For 19 mm wide aluminium framed profiles
- ▶ Integrated overlay adjustment + 2 mm / - 2 mm
- ▶ Integrated depth adjustment + 3 mm / - 2 mm
- ▶ Height adjustment at mounting plate
- ▶ Hinge arm material: nickel plated steel
- ▶ Cup hinge material: zinc die-cast nickel plated
- ▶ Including 2 fixing screws

Sensys 8638i, opening angle 95°

		Full overlay	Half overlay	Inset	
Cup assembly	Mounting hole \varnothing x T mm	Base B 12,5 mm	Base B 3 mm	Base B -4 mm	PU
For screwing on TA 32	-	9 072 524	9 072 525	9 072 526	50 ea.

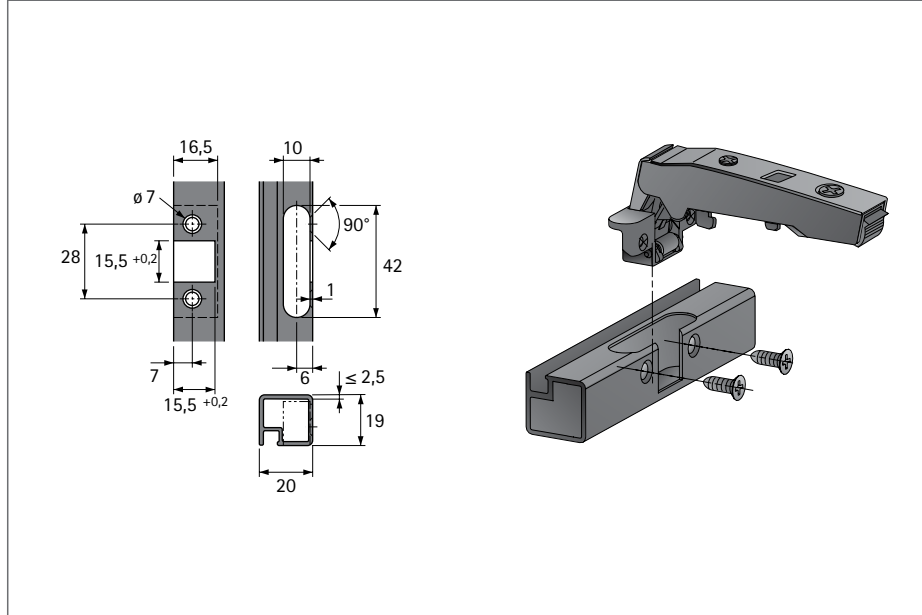


Item stocked in New Zealand

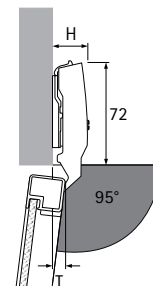
Fast assembly concealed hinge

- ▶ Sensys 8638i
- ▶ 95° opening angle

Installation



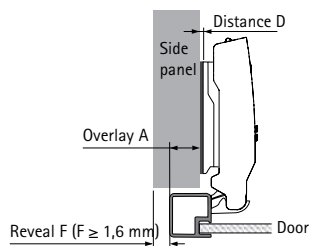
Protrusions / installed depth



Hinge protrusion H / door protrusion T for distance D = 0

Door mounting option	H mm	T mm
Full overlay	25.0	8.0
Half overlay	31.0	17.5
Inset	38.0	24.5

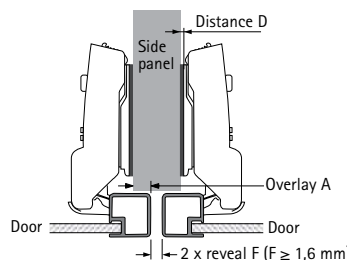
Full overlay



Distance D mm = 4.5 mm + B - A
= 4.5 mm + 12.5 mm - Overlay A

Overlay mm	Distance D mm
12	5.0
13	4.0
14	3.0
15	2.0
16	1.0
17	0.0

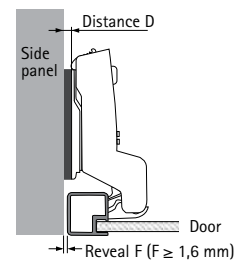
Half overlay



Distance D mm = 4.5 mm + B - A
= 4.5 mm + 3 mm - Overlay A

Overlay mm	Distance D mm
0	7.5
1	6.5
2	5.5
2.5	5.0
3	4.5
4	3.5
4.5	3.0
5	2.5
6	1.5
7	0.5
7.5	0.0

Inset



Distance D = 4.5 mm + B + F
= 4.5 mm - 4 mm + reveal

Reveal mm	Distance D mm
1.6	2.1
2	2.5
3	3.5
4	4.5
5	5.5

Advice

- ▶ For mounting plates and accessories, see page 104 - 105, 160 - 110
- ▶ For example applications, fitting information, installation notes and quality criteria, see page 52 - 67

Fast assembly concealed hinge

- ▶ Intermat 9930 with cup in Sensys design for corner cabinet folding doors
- ▶ 50° / 65° opening angle



- ▶ Concealed hinge with clip on installation
- ▶ Quality classification under EN 15570, Level 2
- ▶ Cup diameter 35 mm
- ▶ Cup depth 12.8 mm
- ▶ Diagonal adjustment + 9.5 mm / - 9.5 mm
- ▶ Integrated overlay adjustment, see sketch
- ▶ For integrated height adjustment, see sketch
- ▶ Height adjustment at mounting plate
- ▶ Hinge arm material: zinc die-cast nickel plated
- ▶ Hinge cup material: nickel plated steel

Intermat 9930, opening angle 50° / 65°

Overlay	
Basis B 24 mm	PU

Cup assembly	Drilling pattern	Mounting hole ø x T mm
For screwing on TH 52		-
For pressing in TH 53		ø 10 x 11
Fix fast installation THS 55		ø 10 x 6
With premounted expanding sockets TH 58		ø 10 x 11

Item stocked in New Zealand

Fast assembly concealed hinge

- ▶ Intermat 9930 with cup in Sensys design for corner cabinet folding doors
- ▶ 50° / 65° opening angle

Version A - Cup drill holes in one door

- ▶ All cup drillings in one door
- ▶ Hairline reveal can be provided between door units
- ▶ No cutaway in cup holes necessary
- ▶ Same door width for both elements
- ▶ Diagonal adjustment capability for easy adjustment to door thickness
- ▶ Same cup distance on both sides of side mounted door
- ▶ Hole line distance of 37 mm in the folding door panel
- ▶ For door thickness 16 - 21 mm
- ▶ Cup distance C 3 - 6 mm

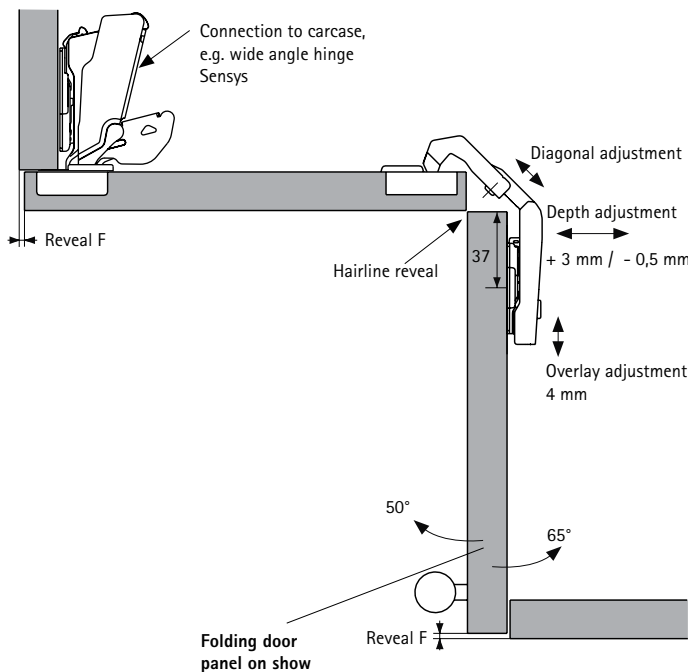
Version A - Calculation of door width

Door width = carcass width - reveal F - door thickness

Version A - Calculation of mounting plate distance

For cup distance C = 4.5 mm: Distance D = 0 mm
 For cup distance C = 3.0 mm: Distance D = 1.5 mm

Differing cup distances can be evened out by depth and diagonal adjustment capability.



Version B - Cup drill holes in both doors

- ▶ Both door units are the same
- ▶ No cutaway in cup holes necessary
- ▶ Diagonal adjustment capability for easy adjustment to door thickness
- ▶ Hole line distance of 41 mm in the side mounted door
- ▶ For door thickness 16 - 21 mm
- ▶ Cup distance C 3 - 6 mm

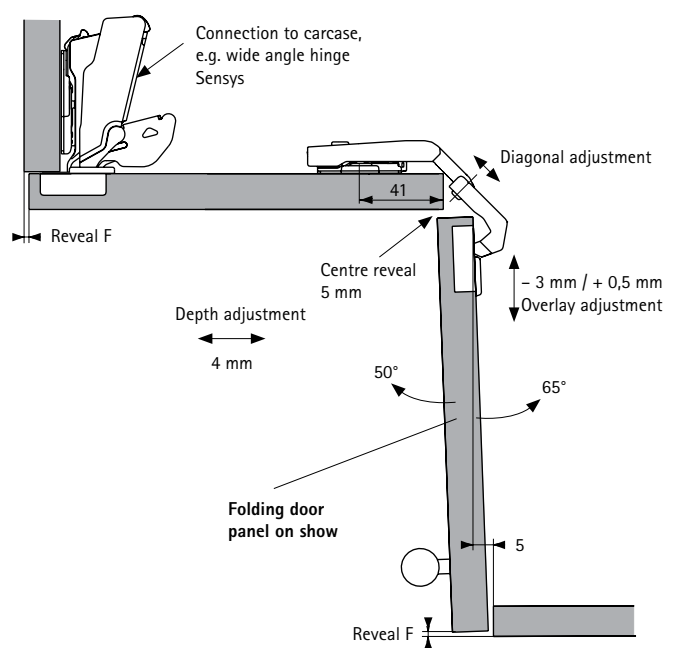
Version B - Calculation of door width

Door width = carcass width - reveal F - door thickness - 5 mm

Version B - Calculation of mounting plate distance

For cup distance C = 4.5 mm: Distance D = 0 mm
 For cup distance C = 3.0 mm: Distance D = 1.5 mm

Differing cup distances can be evened out by depth and diagonal adjustment capability.



Advice

For mounting plates and accessories, see page 104 - 105, 106 - 110
 For mounting solutions, fitting information, installation notes and quality criteria, see page 52 - 67

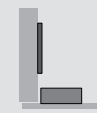
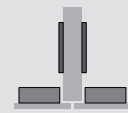
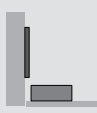
Fast assembly concealed hinge

- ▶ Adapter for glue mounting
- ▶ For Sensys



- ▶ Adapter for glue mounting Sensys
- ▶ Quality classification defined by the hinges used
- ▶ For use with
 - Sensys 8645i, B -4 mm, TH 52
 - Sensys 8631i, B -4 mm, TH 52
 - Sensys 8657i, B 3 mm, TH 52
 - the relevant product version without integrated Silent System, or without self closing feature, can be used in the same way
- ▶ For glass doors
- ▶ For glass thicknesses 3 - 7 mm
- ▶ For use with UV hardening adhesive
- ▶ Supplied without adhesive
- ▶ Material: zinc die-cast nickel plated

Adapter for glue mounting Sensys

		Full overlay	Half overlay	Inset	
	Cup				PU
Sensys 8657i B 3 mm, 165° opening angle	TH 52	9 099 550	9 099 550		50 ea.
Sensys 8631i B -4 mm, 95° opening angle	TH 52			9 090 280	200 ea.
Sensys 8645i B -4 mm, 110° opening angle	TH 52			9 071 207	200 ea.
Adapter (small pack, including fixing screws)	TH	9 081 923 ✓	9 081 923 ✓	9 081 923 ✓	2 ea.

✓ Item stocked in New Zealand

- ▶ Adapter for glue mounting
- ▶ For Sensys

Gluing dimension K

Gluing dimension K	A	F	D1.5	D3	D5	D8
Inset		2	2.5	4		
Full overlay /	0					4
Half overlay	1				2	5
	2				3	6
	3				4	7
	4				5	8
	5				6	9
	6				7	10
	7				8	11
	8				9*	12*
	9				10*	13*
	10				11*	14*
	11				12*	15*
	12				13*	16*
	13				14*	17*
	14				15*	18*
	15				16*	19*
	16				17*	20*
	17				18*	21*
	18				19*	22*
	19				20*	23*

Abbreviations

K = gluing dimension
 A = overlay
 F = reveal
 D = distance
 T = door thickness
 X = hole line

■ Sensys 8645i or 8631i
 ■ Sensys 8631i
 ■ Sensys 8657i

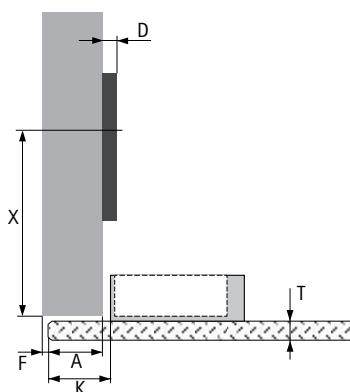
*Only for use with the opening angle limited to 120°

Minimum reveal per door

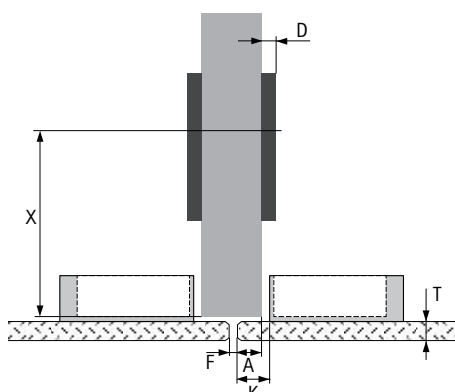
When dimensioning the door mounting, allowance must be made for a minimum reveal of 2 mm per door.

The edges of the glass door should be finished with an appropriate bevel of at least 1 mm.

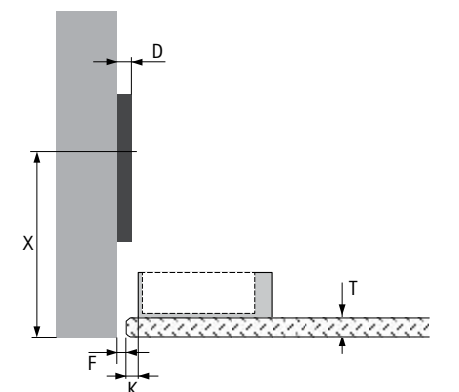
Full overlay



Half overlay



Inset



Hole line distance X

Door mounting option	Mounting plate		
	LR 37	(LR 28)*	(LR 20 x 32)*
Full overlay	50 mm	41 mm	33 mm**
Half overlay	50 mm	41 mm	33 mm**
Inset	T + 52 mm	T + 43 mm	T + 35 mm**

* Not available in all markets

** Space for front drilling position in 32 mm hole line pattern

Fitting information

The adapter must be glued to a glass door by a specialised fabricator who must also select an adhesive and gluing method suitable for the door's specific properties. Details on the exact size and finish of the surface for gluing the adapter to are shown in the installation notes provided with the product. Hettich accepts no responsibility for gluing the adapter on correctly.

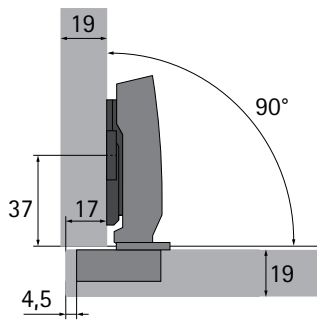
For safety reasons, the hinge cup must only be screwed on using the fixing screws offered. Two screws are required per hinge.

Advice

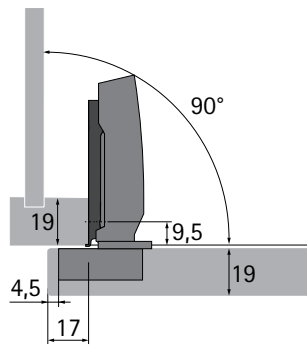
- ▶ For mounting plates, see page 104 - 105
- ▶ For accessories, see page 106 - 110
- ▶ For technical information, see page 52 - 67
- ▶ For example applications, see page 52 - 59

- ▶ Example applications
- ▶ For Sensys

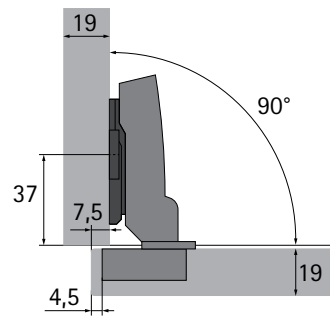
Example applications



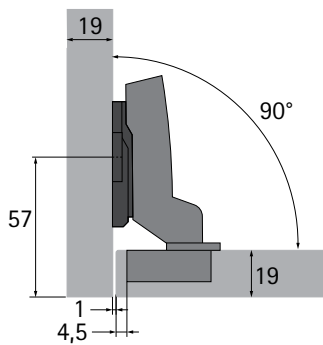
Sensys 8645i B12,5
For inset front panel
Mounting plate distance = 0 mm



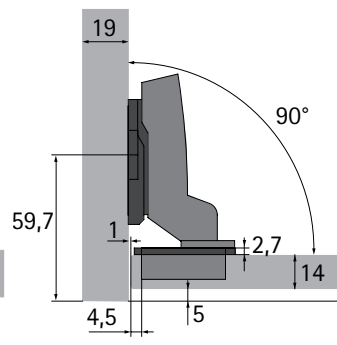
Sensys 8645i B12,5
For inset front panel
Face-frame mounting plate
Distance = 0 mm



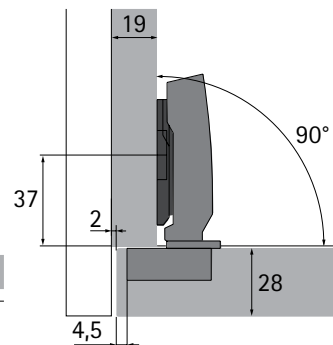
Sensys 8645i B3
For half overlay front panel
Mounting plate distance = 0 mm



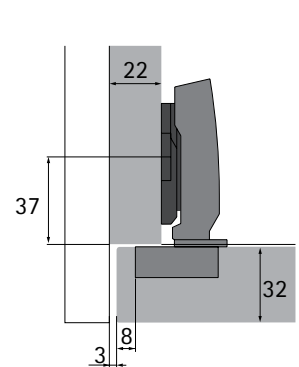
Sensys 8645i B-4
For inset front panel
Mounting plate distance = 1,5 mm



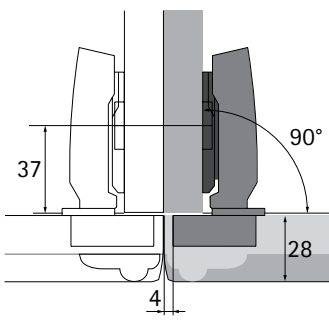
Sensys 8645i B-4
For inset front panel
Mounting plate distance = 1,5 mm
Cup adapter 2,7 mm



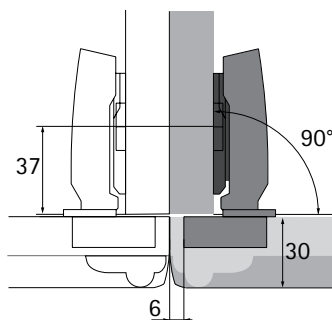
Sensys 8631i B12,5
For narrow gaps between thick doors
For inset front panel
Mounting plate distance = 0 mm



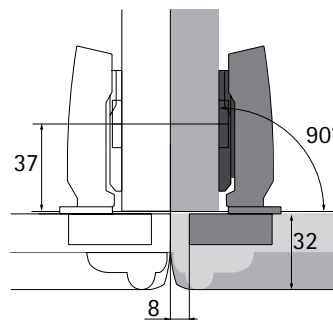
Sensys 8631i B12,5
For narrow gaps between thick doors
For inset front panel
Mounting plate distance = 1,5 mm



Sensys 8631i B12,5
Thick door with minimum
reveal application
For inset front panel
Mounting plate distance = 0 mm



Sensys 8631i B12,5
Thick door with minimum
reveal application
For inset front panel
Mounting plate distance = 0 mm

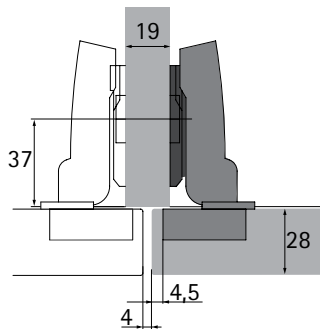


Sensys 8631i B12,5
Thick door with minimum
reveal application
For inset front panel
Mounting plate distance = 0 mm

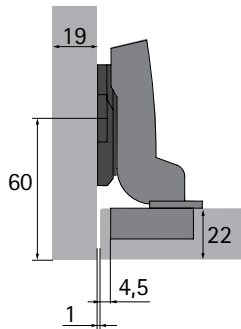
Technical information

- ▶ Example applications
- ▶ For Sensys

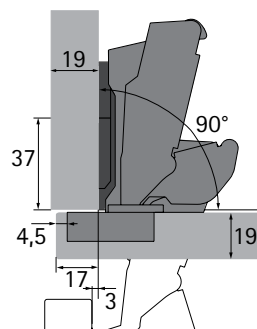
Example applications



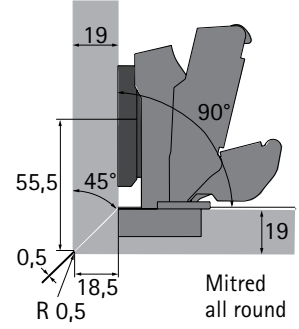
Sensys 8631i B3
For narrow gaps between thick doors
For half overlay front panel
Mounting plate distance = 0 mm



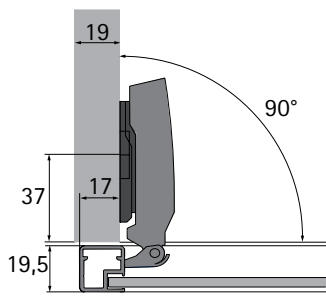
Sensys 8631i B-4
Thick door hinge
For inset front panel
Mounting plate distance = 1,5 mm



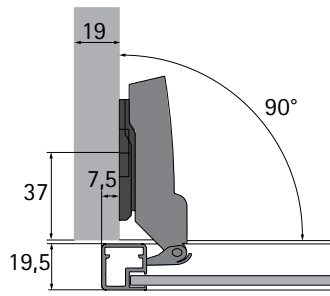
Sensys 8657i B12,5
Zero protrusion hinge
For overlay front panel
Mounting plate distance = 0 mm



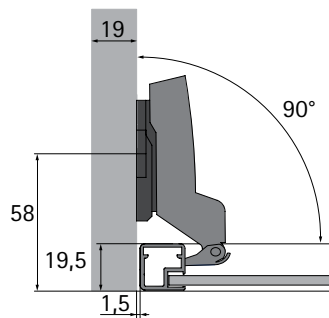
Sensys 8657i B3
Zero protrusion hinge
For overlay front panel
Mounting plate distance = 3 mm



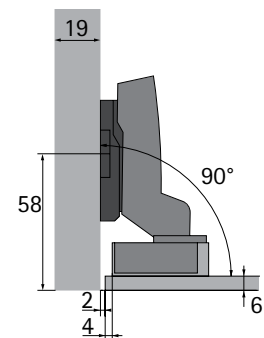
Sensys 8638i B12,5
Aluminium frame hinge
For overlay front panel
Mounting plate distance = 0 mm



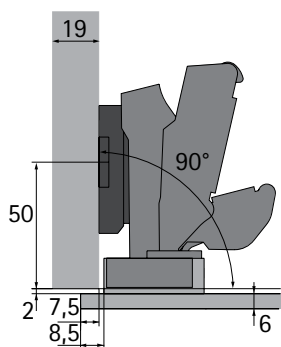
Sensys 8638i B3
Aluminium frame hinge
For half overlay front panel
Mounting plate distance = 0 mm



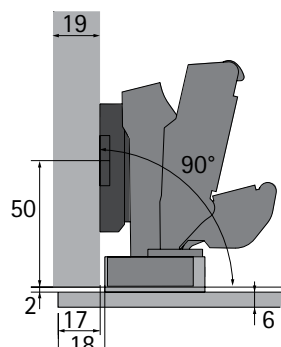
Sensys 8638i B-4
Aluminium frame hinge
For inset front panel
Mounting plate distance = 1,5 mm



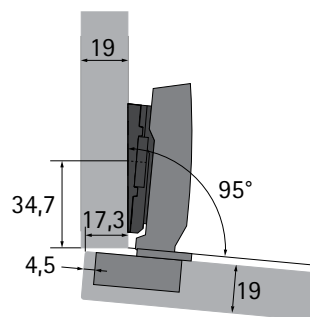
Sensys 8645i B-4
With adapter for glue mounting
For inset front panel
Mounting plate distance = 3 mm



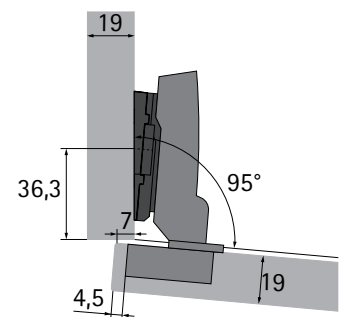
Sensys 8657i B3
With adapter for glue mounting
For half overlay front panel
Mounting plate distance = 5 mm
Opening angle limiter 120°



Sensys 8657i B3
With adapter for glue mounting
For overlay front panel
Mounting plate distance = 5 mm
Opening angle limiter 120°



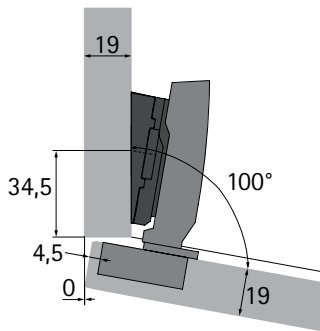
Sensys 8645i B12,5
For overlay front panel
Mounting plate distance = 0 mm
Angle adapter 5°



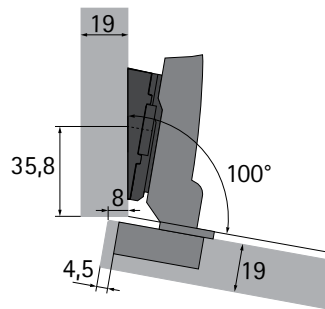
Sensys 8645i B3
For half overlay front panel
Mounting plate distance = 0 mm
Angle adapter 5°

- ▶ Example applications
- ▶ For Sensys

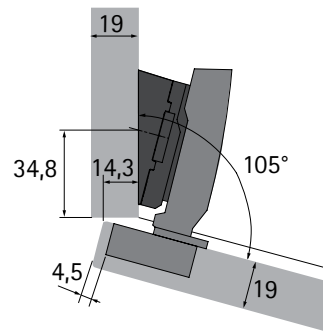
Example applications



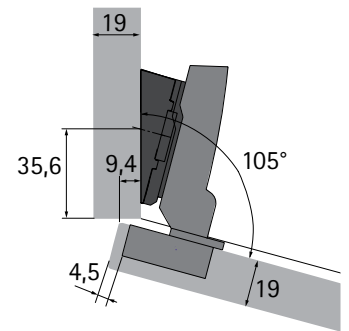
Sensys 8645i B12,5
For overlay front panel
Mounting plate distance = 1,5 mm
Angle adapter 10°



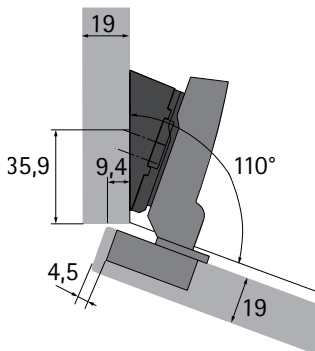
Sensys 8645i B3
For half overlay front panel
Mounting plate distance = 0 mm
Angle adapter 10°



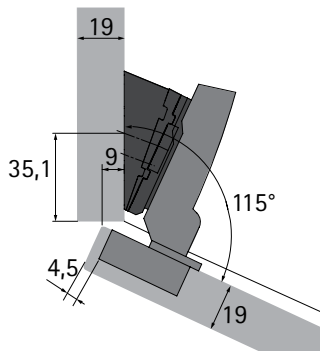
Sensys 8645i B12,5
For overlay front panel
Mounting plate distance = 3 mm
Angle adapter 15°



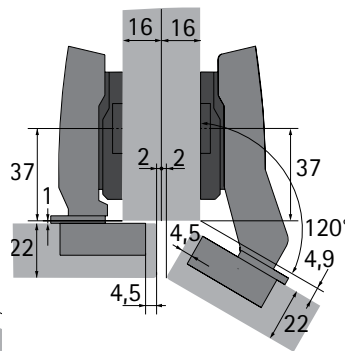
Sensys 8645i B3
For half overlay front panel
Mounting plate distance = 0 mm
Angle adapter 15°



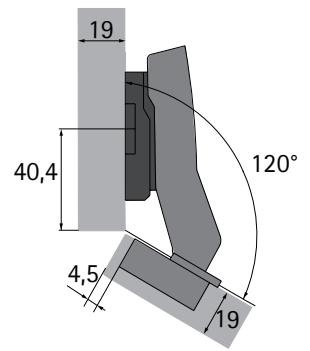
Sensys 8645i B3
For half overlay front panel
Mounting plate distance = 0 mm
Angle adapter 20°



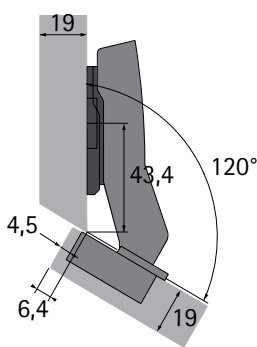
Sensys 8645i B3
For half overlay front panel
Mounting plate distance = 0 mm
Angle adapter 20° and 5°



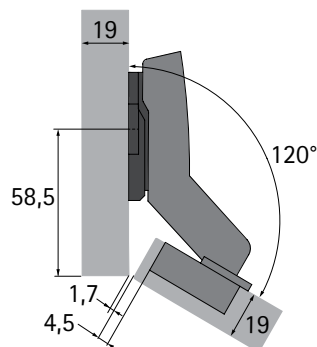
Sensys 8639i W30 B2
Sensys 8645i B12,5
For overlay front panel
Mounting plate distance = 3 mm



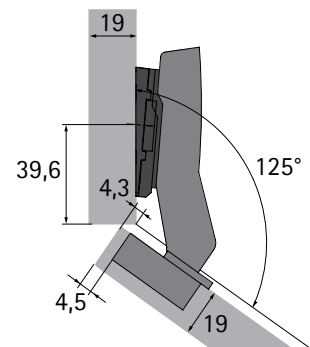
Sensys 8639i W30 B2
For overlay front panel
Mounting plate distance = 5 mm



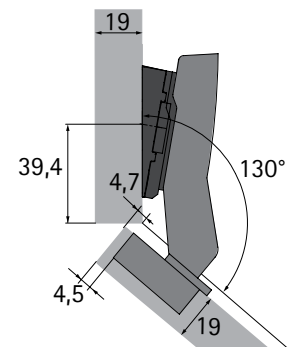
Sensys 8639i W30 B2
For overlay front panel
Mounting plate distance = 0 mm



Sensys 8639i W30 B-16
For inset front panel
Mounting plate distance = 1,5 mm



Sensys 8639i W30 B2
For overlay front panel
Mounting plate distance = 0 mm
Angle adapter 5°

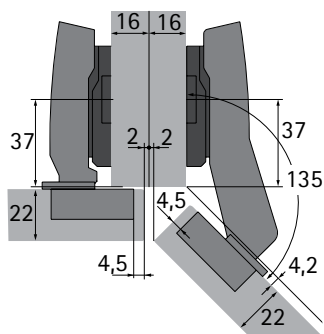


Sensys 8639i W30 B2
For overlay front panel
Mounting plate distance = 0 mm
Angle adapter 10°

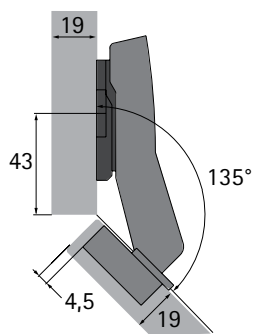
Technical information

- ▶ Example applications
- ▶ For Sensys

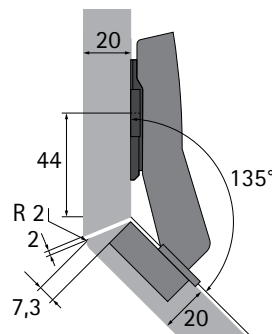
Example applications



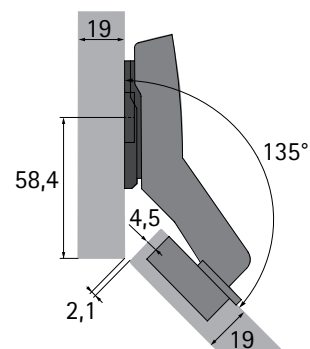
Sensys 8639i W45 B-2
Sensys 8645i B12,5
 For overlay front panel
 Mounting plate distance = 3 mm



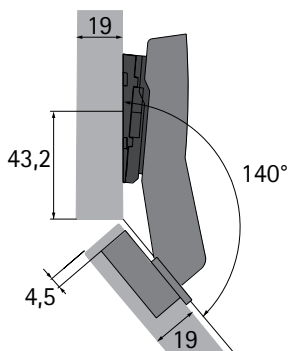
Sensys 8639i W45 B-2
 For overlay front panel
 Mounting plate distance = 1,5 mm



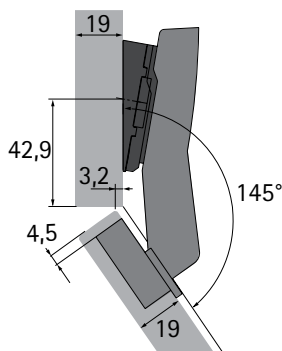
Sensys 8639i W45 B-2
 For overlay front panel
 Mounting plate distance = 0 mm



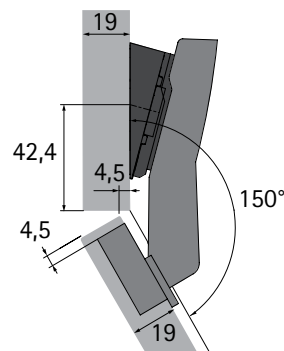
Sensys 8639i W45 B-25
 For inset front panel
 Mounting plate distance = 0 mm



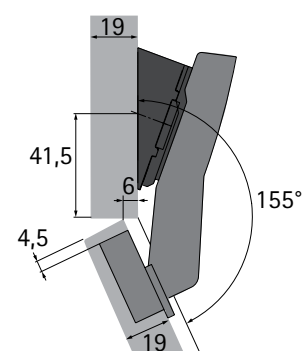
Sensys 8639i W45 B-2
 For overlay front panel
 Mounting plate distance = 0 mm
 Angle adapter 5°



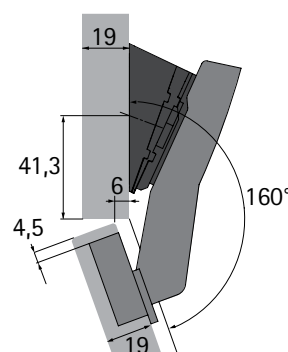
Sensys 8639i W45 B-2
 For overlay front panel
 Mounting plate distance = 0 mm
 Angle adapter 10°



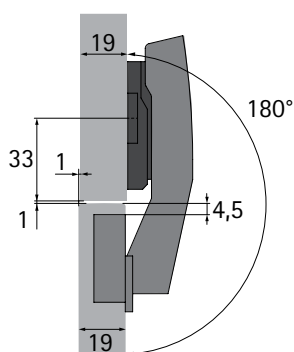
Sensys 8639i W45 B-2
 For overlay front panel
 Mounting plate distance = 0 mm
 Angle adapter 15°



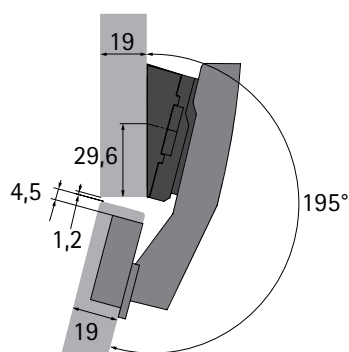
Sensys 8639i W45 B-2
 For overlay front panel
 Mounting plate distance = 0 mm
 Angle adapter 20°



Sensys 8639i W45 B-2
 For overlay front panel
 Mounting plate distance = 0 mm
 Angle adapter 20° and 5°



Sensys 8639i W90 B4
 For inset front panel
 Mounting plate distance = 3 mm

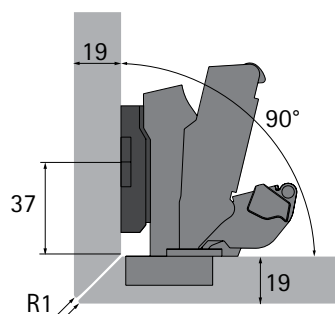


Sensys 8639i W90 B4
 For inset front panel
 Mounting plate distance = 3 mm
 Angle adapter 15°

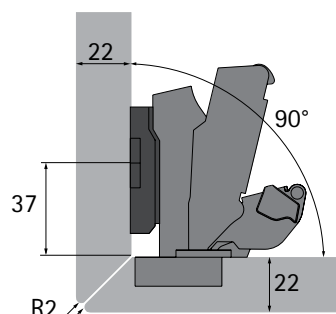
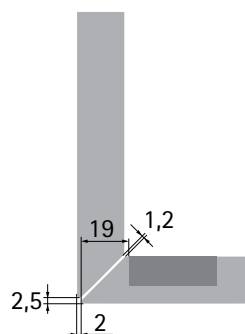
Technical information

- ▶ Example applications
- ▶ For Sensys

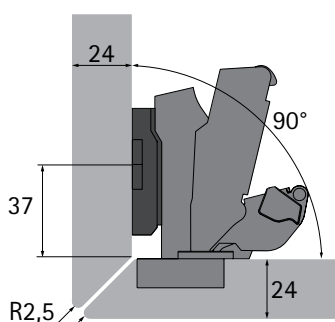
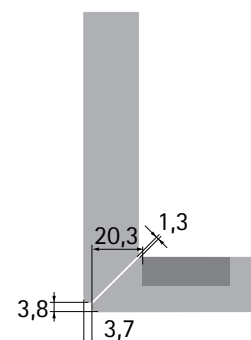
45° mitred all round



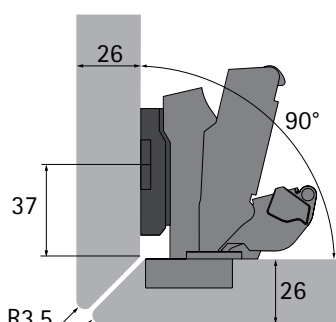
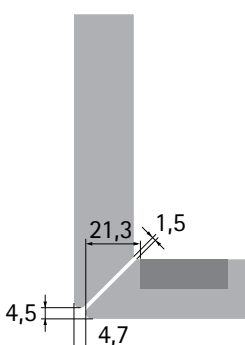
Sensys 8657i B3
Mounting plate: 8099 LR37 D5
Opening angle limiter: 135°



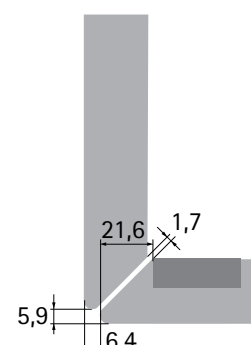
Sensys 8657i B3
Mounting plate: 8099 LR37 D5
Opening angle limiter: 135°



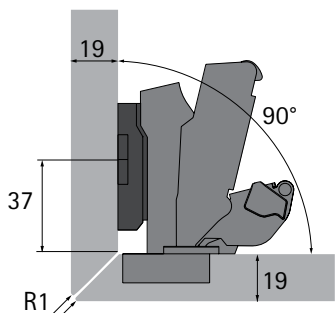
Sensys 8657i B3
Mounting plate: 8099 LR37 D5
Opening angle limiter: 135°



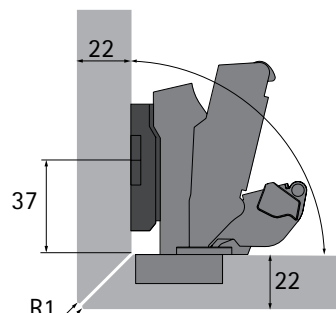
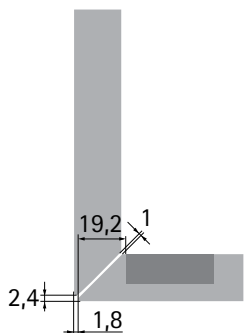
Sensys 8657i B3
Mounting plate: 8099 LR37 D5
Opening angle limiter: 135°



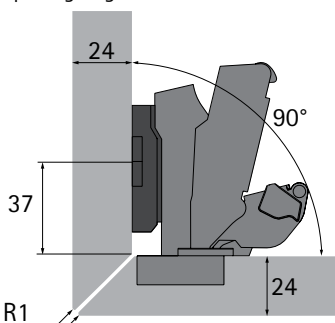
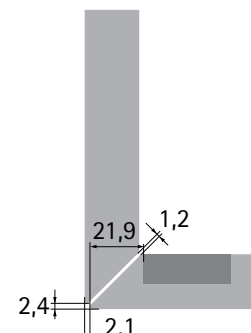
Side mitring



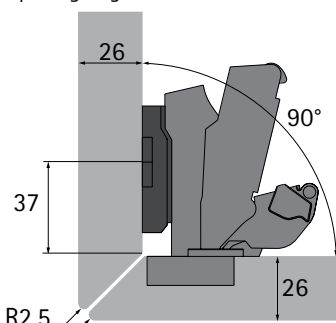
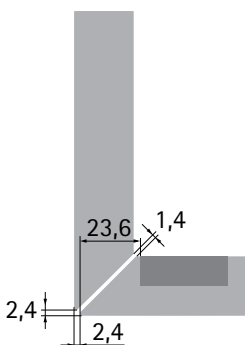
Sensys 8657i B3
Mounting plate: 8099 LR37 D5
Opening angle limiter: 135°



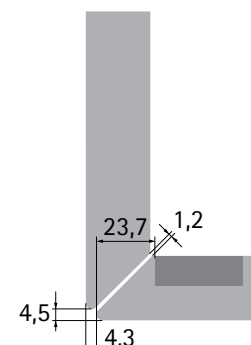
Sensys 8657i B3
Mounting plate: 8099 LR37 D5
Opening angle limiter: 135°



Sensys 8657i B3
Mounting plate: 8099 LR37 D5
Opening angle limiter: 135°



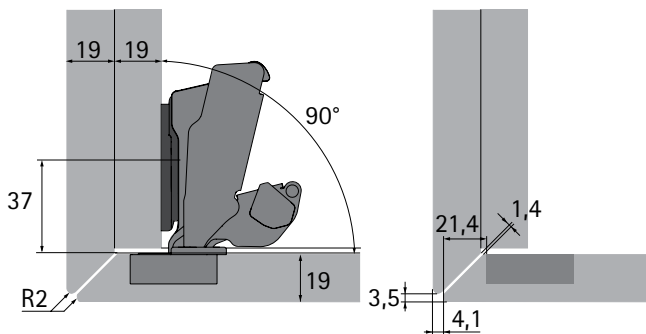
Sensys 8657i B3
Mounting plate: 8099 LR37 D5
Opening angle limiter: 135°



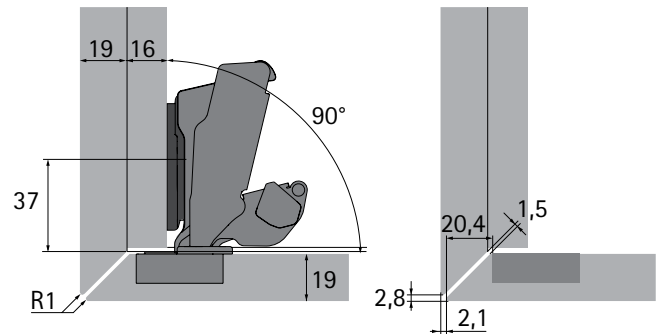
Technical information

- ▶ Example applications
- ▶ For Sensys

Mitred all round with internal facing panel

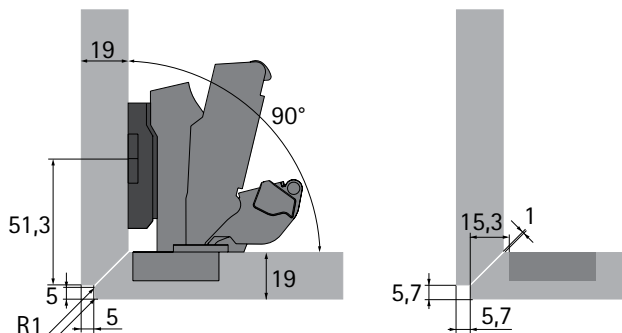


Sensys 8657i B12,5
 Mounting plate: 8099 LR37 D0
 Opening angle limiter: 120°
 Side panel thickness additional panel: 19 mm

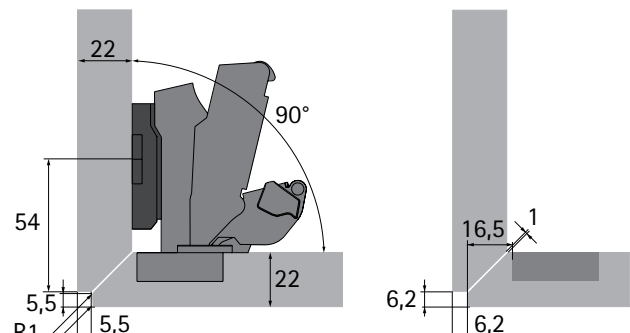


Sensys 8657i B12,5
 Mounting plate: 8099 LR37 D0
 Opening angle limiter: 135°
 Side panel thickness additional panel: 19 mm

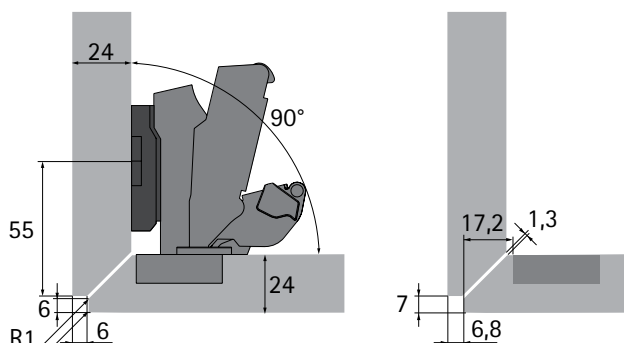
Mitred all round with cut out rebate



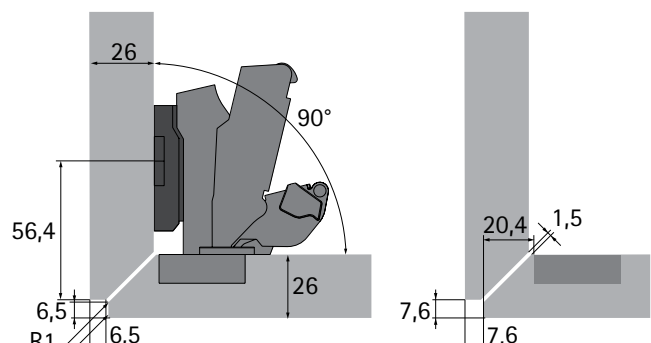
Sensys 8657i B3
 Mounting plate: 8099 LR37 D5
 Opening angle limiter: 135°



Sensys 8657i B3
 Mounting plate: 8099 LR37 D3
 Opening angle limiter: 135°



Sensys 8657i B3
 Mounting plate: 8099 LR37 D3
 Opening angle limiter: 135°

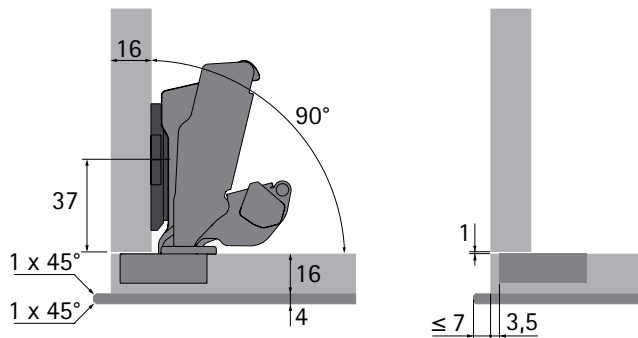


Sensys 8657i B3
 Mounting plate: 8099 LR37 D5
 Opening angle limiter: 135°

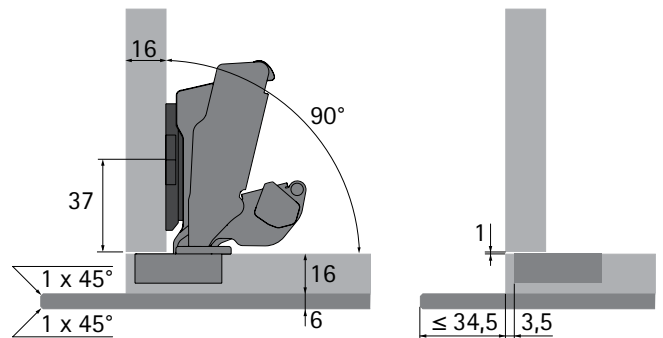
Technical information

- ▶ Example applications
- ▶ For Sensys

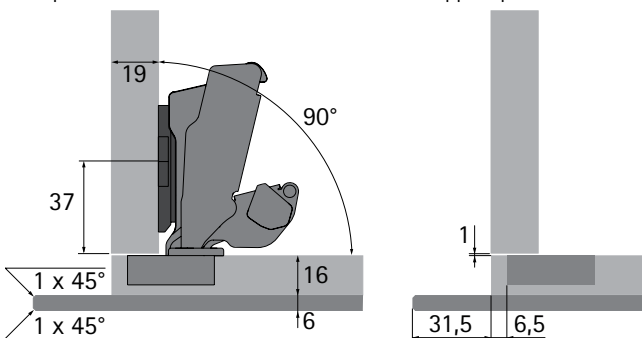
Projecting thin materials



Sensys 8657i B12,5
 Mounting plate: 8099 LR37 D0, opening angle limiter: no
 Side panel thickness: 16 mm, door thickness, support panel: 16 mm

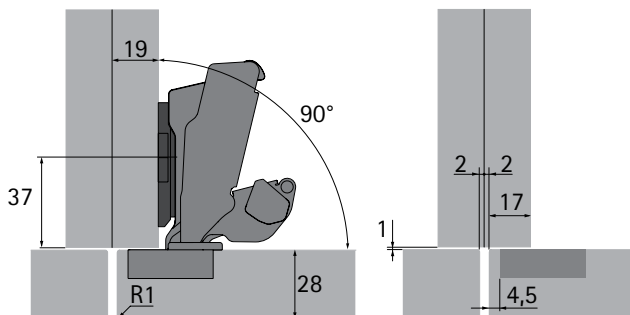


Sensys 8657i B12,5
 Mounting plate: 8099 LR37 D0, opening angle limiter: 120°
 Side panel thickness: 16 mm, door thickness, support panel: 16 mm

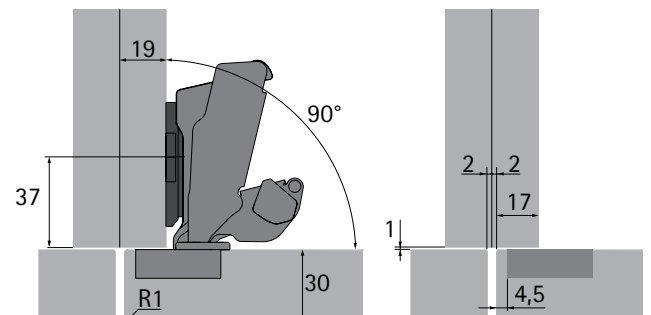


Sensys 8657i B12,5
 Mounting plate: 8099 LR37 D0, opening angle limiter: 120°
 Side panel thickness: 19 mm, door thickness, support panel: 16 mm

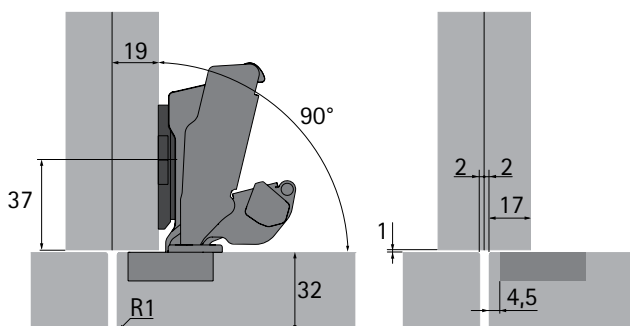
Thick doors



Sensys 8657i B12,5
 Mounting plate: 8099 LR37 D0
 Opening angle limiter: no



Sensys 8657i B12,5
 Mounting plate: 8099 LR37 D0
 Opening angle limiter: 120°

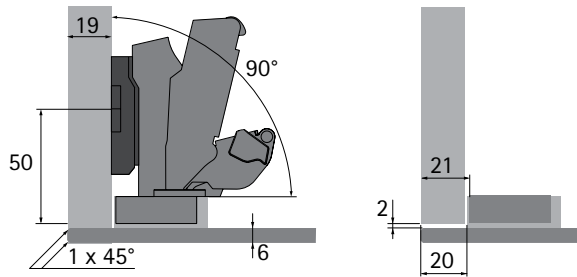


Sensys 8657i B12,5
 Mounting plate: 8099 LR37 D0
 Opening angle limiter: 105°

Technical information

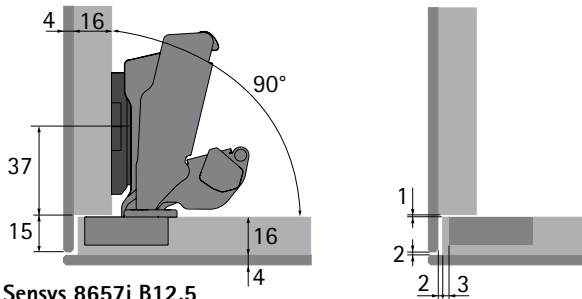
- ▶ Example applications
- ▶ For Sensys

Glass doors

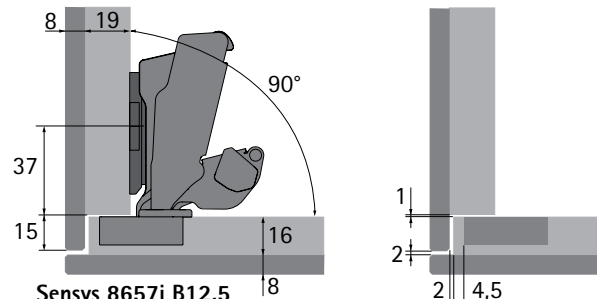


Sensys 8657i B3
Mounting plate: 8099 LR37 D5
Opening angle limiter: 135°
Adapter: yes

Lined materials

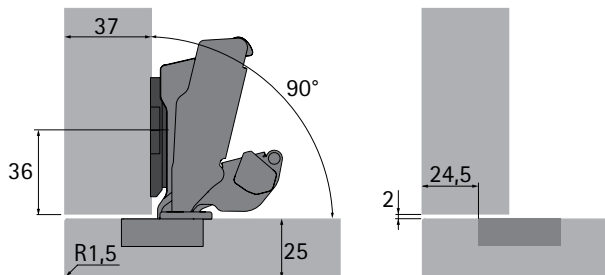


Sensys 8657i B12,5
Mounting plate: 8099 LR37 D1,5
Opening angle limiter: no
Side panel thickness: 16 mm



Sensys 8657i B12,5
Mounting plate: 8099 LR37 D0
Opening angle limiter: 135°
Side panel thickness: 19 mm

Maximum door reveal

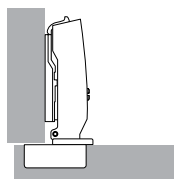


Sensys 8657i B12,5
Mounting plate: 8099 LR37 D0
Opening angle limiter: 105°
Side panel thickness: 37 mm

Technical information

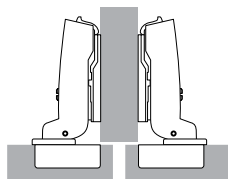
- ▶ Sensys
- ▶ Fitting information

Full overlay door



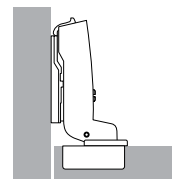
The door is in front of the carcass side and only a small gap remains at the side within which the door can open reliably. Alternatively, the door can also be overlaid fully. In this case sufficient space must be allowed at the side for the required minimum reveal. Straight hinges are used.

Half overlay door



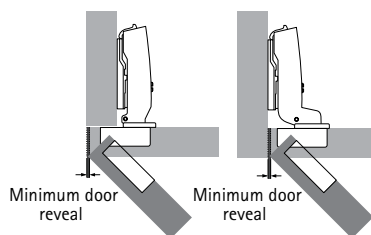
This is where two doors are positioned in front of a cabinet centre panel, with the required overall reveal between them (at least 2 x minimum reveal). In other words, each door has a smaller overlay and cranked hinges are therefore used.

Inset door



The door is positioned inside the carcass, i.e. next to the carcass side. Here too, a gap is needed so that the door can open reliably. Highly cranked hinges are used here. For an inset door, the mounting plate must be set back by the door thickness + 1 mm as well as by any any chosen door offset.

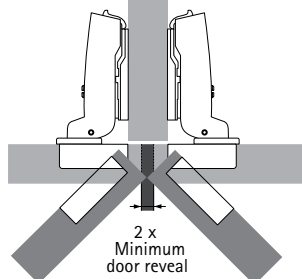
Minimum reveal



For full overlay and inset doors

The minimum reveal (also known as the door clearance or minimum clearance) is the space required at the side so that the door can open. The size of the minimum reveal depends on the cup distance C, the door thickness and the type of hinge selected. Radii on the door edges reduce the door clearance. The minimum reveal is shown in the table for the respective hinge types.

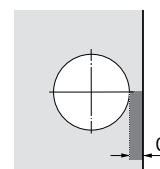
Minimum reveal



For half overlay doors

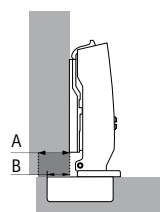
The total reveal selected between the doors must be at least twice the door clearance. Both doors can then be opened at the same time.

Cup distance C



Cup distance C is the distance between the door edge and the edge of the cup drilling. The greater the distance selected for cup distance C, the smaller door clearance will be, i.e. the minimum reveal required.

Overlay / Base



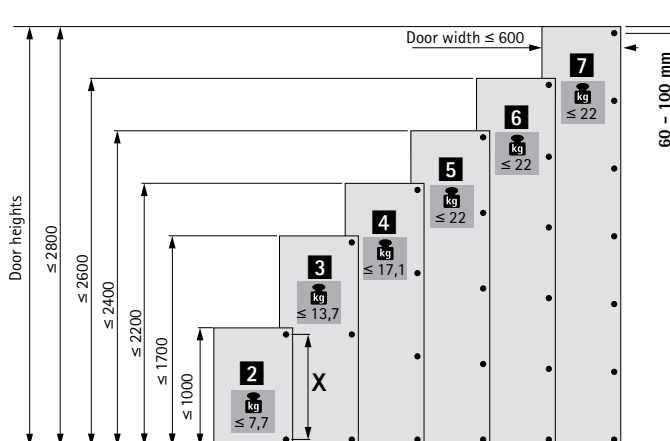
A = Overlay
B = Base

Overlay refers to the projection of the door in front of the carcass side. Base refers to the projection of the cup in front of the carcass side for a mounting plate distance of 0 mm.

Number of hinges per door

Door width, height and weight as well as the material quality of the door are decisive factors determining the number of hinges required.

The factors encountered in practice differ widely from case to case. For this reason, the number of hinges specified in the diagram must be understood as a guide only. If in doubt, it is recommended to carry out a trial mounting and adjust the number of hinges as necessary. For reasons of stability, space X between the hinges must always be made as large as possible. The space X must be at least 280 mm.



Technical information

- ▶ Sensys
- ▶ Fitting information

General calculation of distances

Mounting plates are available in various distances. The effective height of the mounting plate is defined by distance D. Distance D is embossed on the top of each mounting plate. A larger distance D reduces overlay for full and half overlay applications. On inset doors, a larger distance D increases the door reveal. Before determining the required distance,

check whether the desired reveal is equal to or greater than the required minimum reveal. If the desired reveal is less than the required minimum reveal, the required minimum reveal can be reduced by increasing cup distance C or by producing radii on the door edges.

Calculation of distances

For full overlay and half overlay doors

The required distance D can be determined after checking the minimum reveal. Ideally, the door reveal and cup distance should be selected to produce a distance D that is available as mounting plate.

Example: Working out distances according to the table

Overlay = 14 mm and cup distance C = 4.5 mm yield a distance D equal to 3.0 mm.

Example: Working out distances using the calculation formula

Hinge for full overlay door, base B = 12.5 mm
 Distance D = Cup distance C + base B - overlay A
 Distance D = 4.5 mm + 12.5 mm - 14 mm = 3.0 mm

Intermediate distances not available as mounting plate distances are achieved by adjusting the hinge overlay.

Overlay mm	Cup distance C mm					
	3,0	4,0	4,5	5,0	6,0	7,0
	Distance D mm					
10	5,5	6,5	7,0	7,5	8,5	9,5
11	4,5	5,5	6,0	6,5	7,5	8,5
12	3,5	4,5	5,0	5,5	6,5	7,5
13	2,5	3,5	4,0	4,5	5,5	6,5
14	1,5	2,5	3,0	3,5	4,5	5,5
15	0,5	1,5	2,0	2,5	3,5	4,5
16		0,5	1,0	1,5	2,5	3,5
17			0,0	0,5	1,5	2,5
18					0,5	1,5
19						0,5

Calculation of distances

For inset doors

When calculating the mounting plate distance using the table for the inset, allowance is automatically made for the reveal to be designated as the minimum reveal in relation to cup distance C and the door thickness in the minimum reveal table. If a reveal is to be produced that is larger than this minimum reveal, select a mounting plate distance of the appropriate size.

Example: Working out distances according to the table

According to the table, a door thickness = 20 mm and cup distance C = 4.5 mm produce a mounting plate distance of 1.5 mm. This gives the required minimum reveal, for example, of 1 mm. If a reveal of 2.5 mm is preferred instead, select a mounting plate distance which is 1.5 mm larger. In this example, therefore, a distance of 3 mm instead of 1.5 mm.

Example: Working out distances using the calculation formula

Hinge for inset application, base value B = - 4 mm
 Distance D = cup distance C + base B + reveal F
 Distance D = 4.5 mm - 4 mm + 1 mm = 1.5 mm

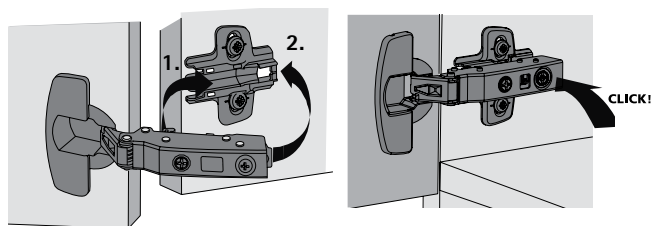
Intermediate distances not available as mounting plate distances are achieved by adjusting the overlay adjustment of the hinge.

Door thickness mm	Cup distance C mm					
	3,0	4,0	4,5	5,0	6,0	7,0
	Distance D mm					
15		0,2	0,7	1,2	2,2	3,2
16		0,3	0,8	1,3	2,3	3,3
17		0,4	0,9	1,4	2,4	3,4
18		0,6	1,1	1,6	2,6	3,5
19		0,8	1,3	1,8	2,7	3,7
20	0,1	1,0	1,5	2,0	3,0	3,9
21	0,4	1,3	1,8	2,3	3,2	4,2
22	1,2	1,8	2,2	2,6	3,6	4,5

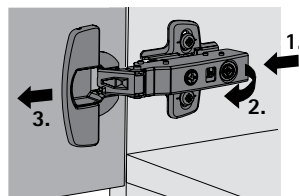
Technical information

- ▶ Sensys
- ▶ Installation notes

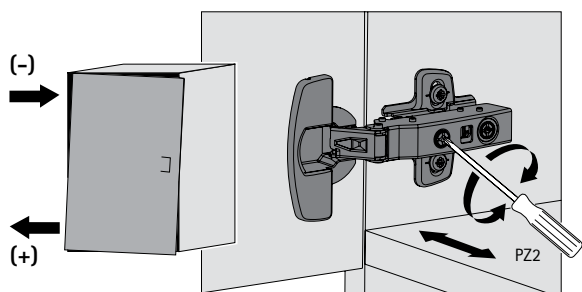
Installation



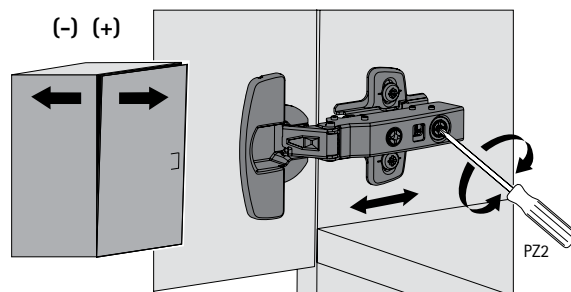
Removal



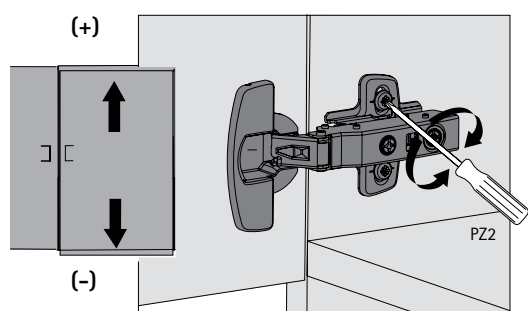
Overlay adjustment



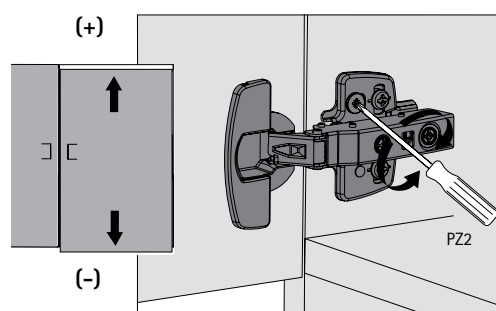
Depth adjustment



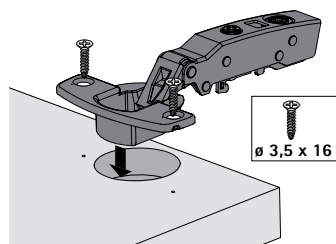
Oblong hole height adjustment



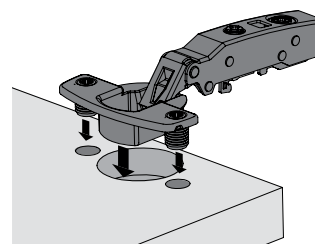
Eccentric cam height adjustment



Cup installation for screwing on



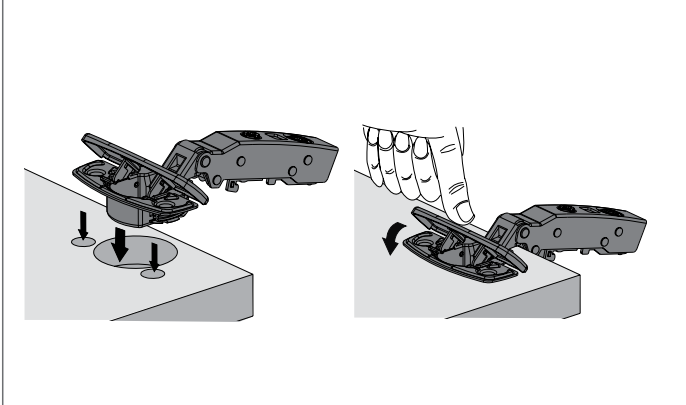
Cup installation for pressing in



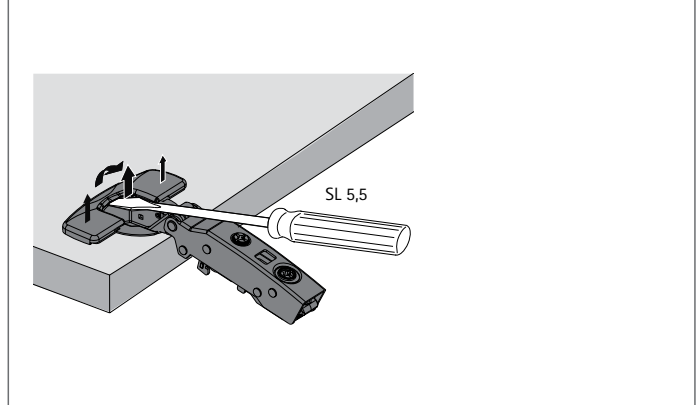
Technical information

- ▶ Sensys
- ▶ Installation notes

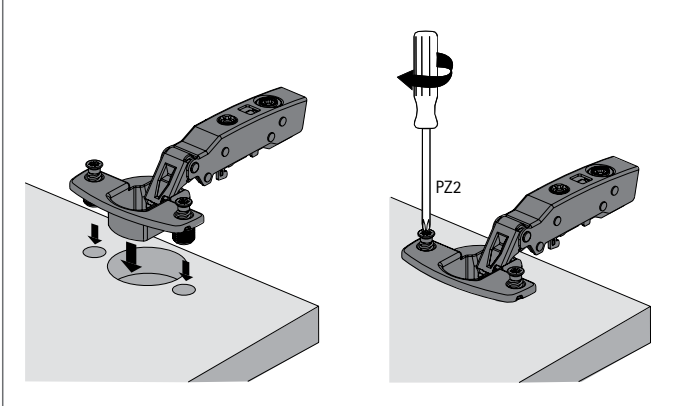
Fix cup installation



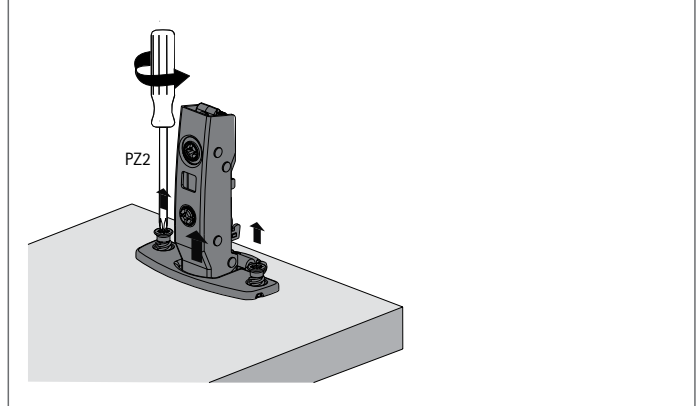
Removing Fix



Cup installation with premounted expanding sockets



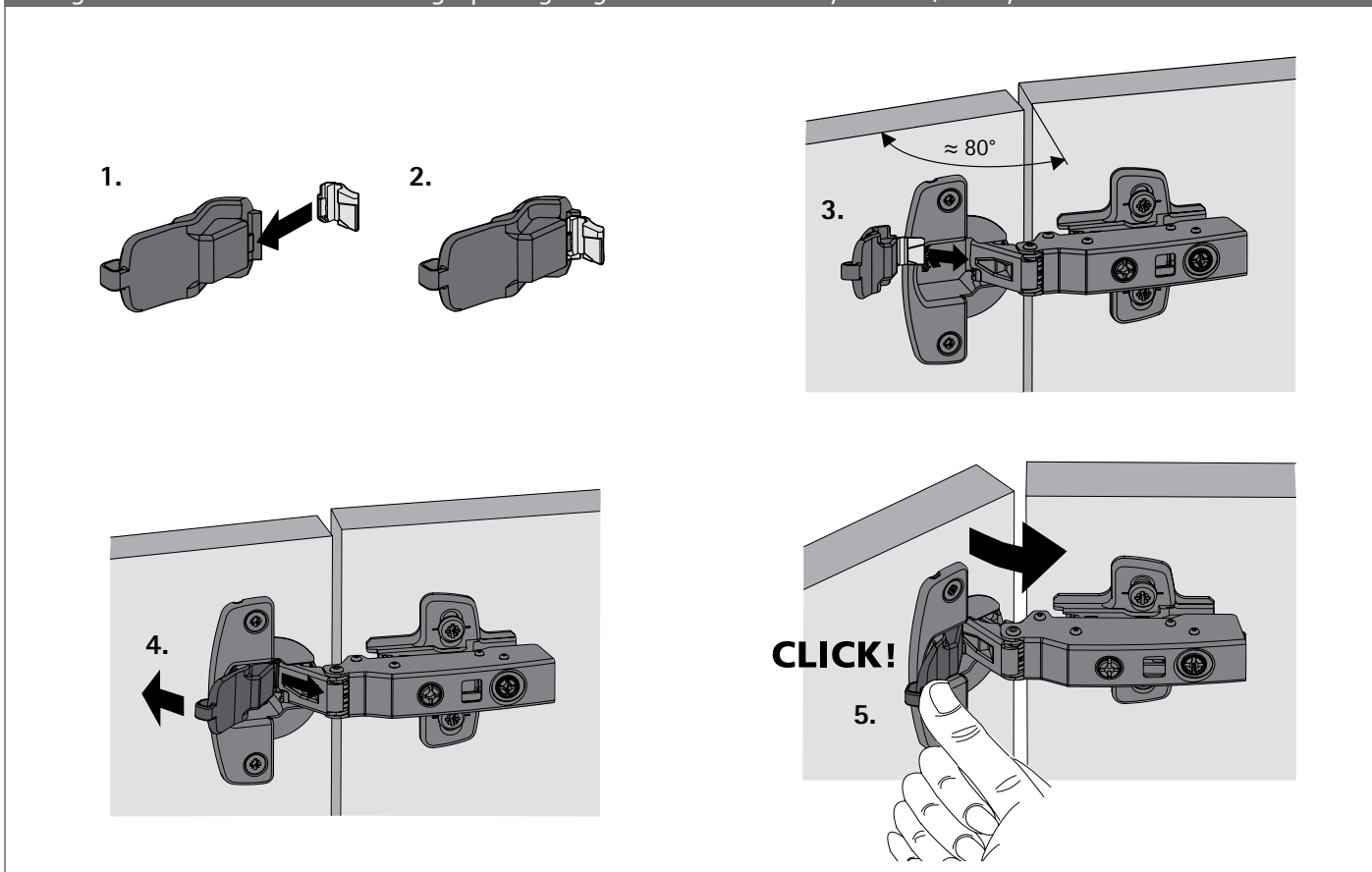
Removing with premounted expanding sockets



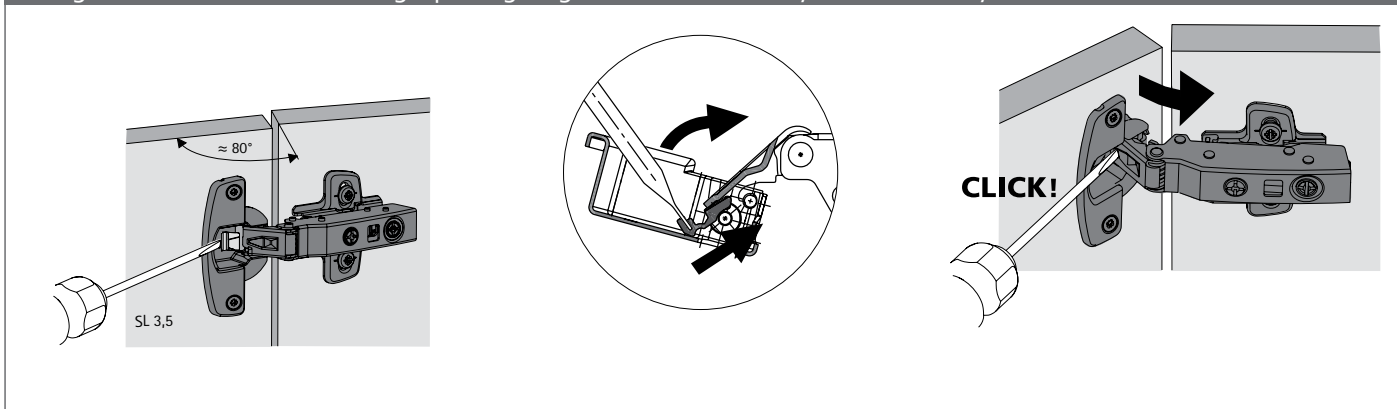
Technical information

- ▶ Sensys
- ▶ Installation notes

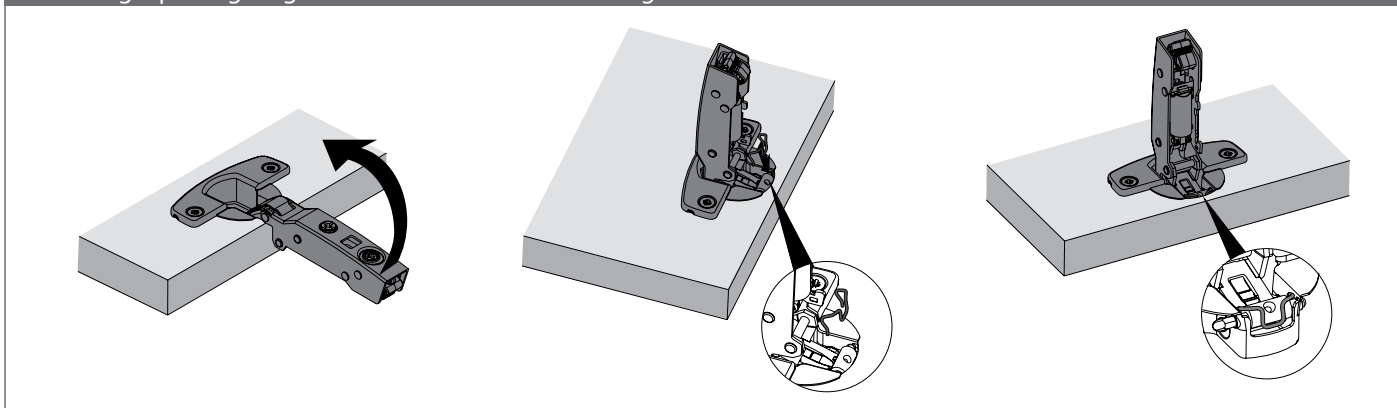
Using installation aid for installing opening angle limiter for Sensys 8645i, Sensys 8639i W



Using screwdriver for installing opening angle limiter for Sensys 8645i, Sensys 8639i W



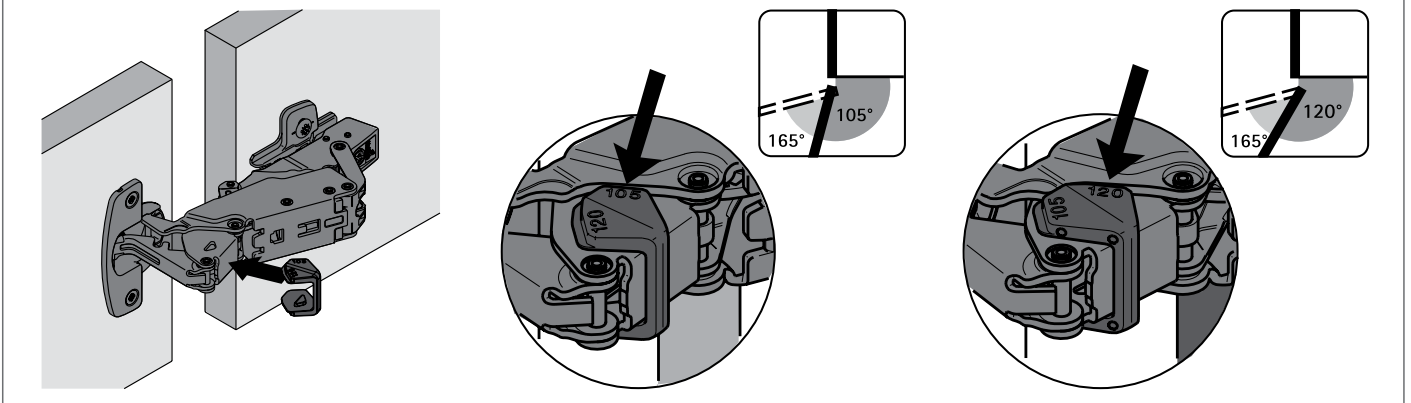
Installing opening angle limiter for thick door hinge 8631i



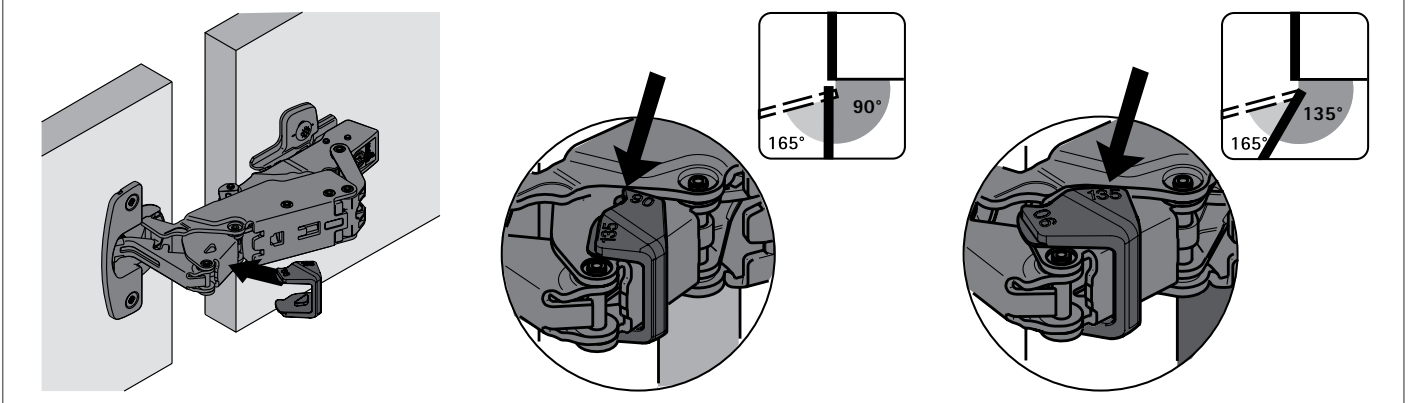
Technical information

- ▶ Sensys
- ▶ Installation notes

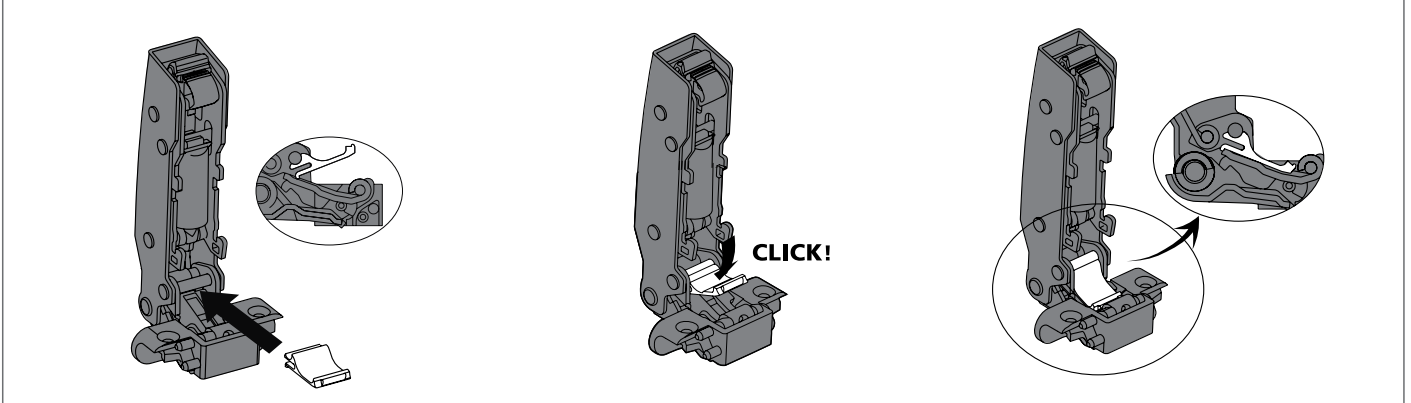
Installing the opening angle limiter for 8657i zero protrusion hinge



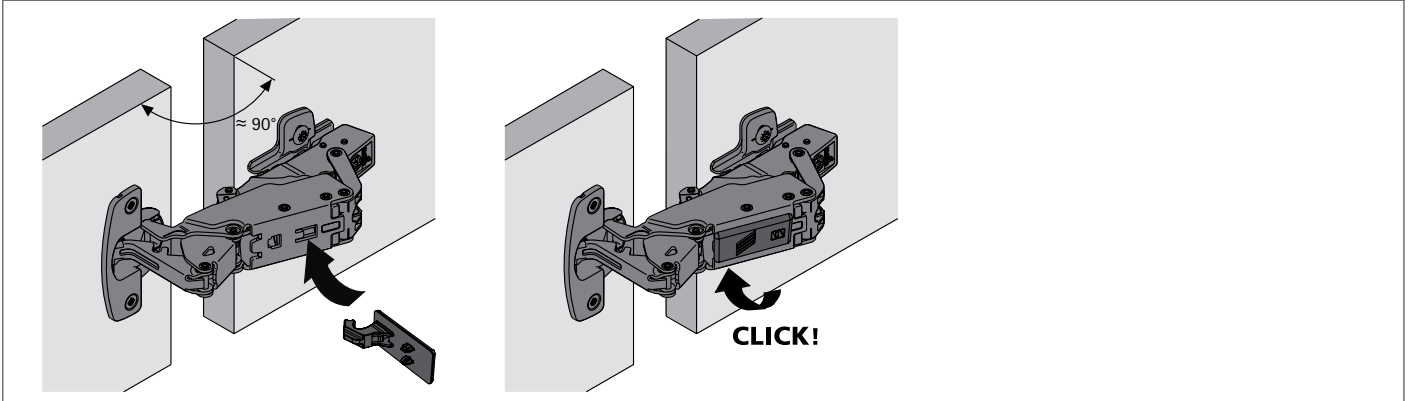
Installing the opening angle limiter for 8657i zero protrusion hinge



Installing opening angle limiter for Sensys 8638i aluminium framed doors



Installing soft opening



Quality criteria

► Concealed hinges

Quality that meets all the demands

Quality that meets all the demands

The quality of hinges is subject to a process of continuous monitoring. Hettich fittings comply with the national and international quality standards of the markets our customers operate in. The diagrams below show examples of the principles behind some of the testing processes.

Application

Hettich hinges can be used in living room, kitchen, bathroom and office furniture.

Load capacity

The quality levels indicated on products comply with the requirements of EN 15570 and satisfy the overload tests at the specified level. We will be pleased to provide any further information you may require.

Corrosion test

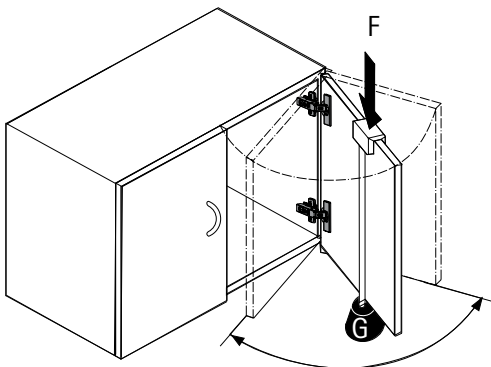
Hettich hinges satisfy the corrosion requirements under EN ISO 9227-2012 in accordance with the 48 h neutral salt spray test (NSS) as well as DIN EN ISO 6270-2-2012 in accordance with the 96 h alternating condensation water climate test with alternating air humidity and temperature (AHT).

Quality assurance

The processes for assuring the quality of Hettich hinges are certified under EN ISO 9001, Cert. No. DE8000209.

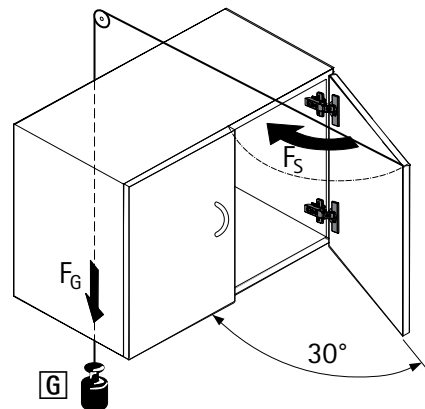
Endurance test

The door is subjected to a specific number of opening and closing cycles.



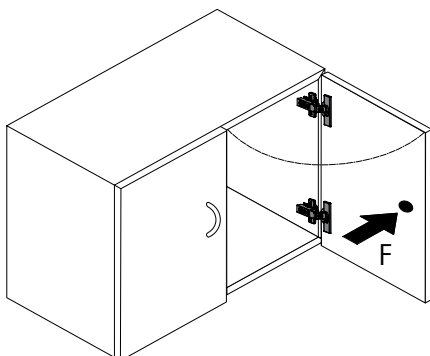
Closing test

The door is opened by 30° and pushed closed from this position by means of a pulley and falling weight.



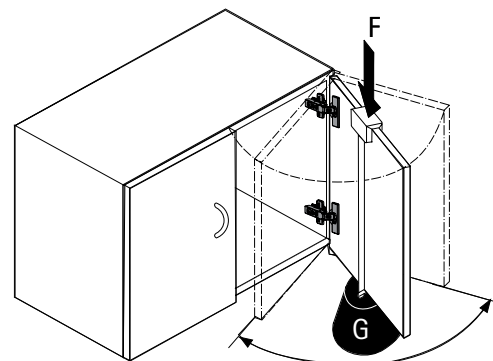
Horizontal test

The door is over opened with a defined test force F. (This test only applies to hinges with an opening angle < 135°.)



Vertical test

The door is subjected to a specific number of opening and closing cycles under a defined additional load G.



Concealed hinges

► Intermat fast assembly concealed hinge



Sound quality from the service focused partner: Intermat

Anyone opting for Interimat hinges also benefits from the many advantages in a partnership with Hettich.

For example, from decades of experience and continuous product improvement, high delivery reliability as well as the fast availability of Hettich products as a result of our own subsidiaries across the globe.



Tried and proven in millions of applications: the right decision
Interimat gives you unbeatable value for money and top quality "Made in Germany".



Versatile and future proof
This give you flexibility in quickly meeting customer demands or new trends in furniture design.



Further sales potential for you
Differentiate between furniture ranges the simple way with different hinge functionalities and optional accessories.



Installation and setup: fast and secure
Ergonomic, concealed clip on installation for convenient fast installation with protection against accidental detachment.

Fast assembly concealed hinge

- ▶ Intermat
- ▶ Range summary



Intermat 110° standard hinge

- ▶ Intermat 9943 / 9973
- ▶ Opening angle 110°

70 - 73



Intermat 95° thick door hinge

- ▶ Intermat 9936
- ▶ For doors in thicknesses up to 32 mm

74 - 77



Intermat 95° special thick door hinge

- ▶ Intermat 9935
- ▶ For doors in thicknesses up to 43 mm

78 - 81



Sensys 165° zero protrusion hinge

- ▶ Sensys 8657 / 8687
- ▶ For unobstructed access to storage space

82 - 85



Intermat W45 angle hinge

- ▶ Intermat 9936 W45 / 9966 W45
- ▶ For face angle 45°

86 - 89



Intermat W90 angle hinge

- ▶ Intermat 9936 W90 / 9966 W90
- ▶ For 90° face angle applications

90 - 93



Intermat glass door hinge

- ▶ Intermat 9904
- ▶ For glass doors

94 - 95



Intermat corner unit hinge

- ▶ Intermat 9930
- ▶ For corner cabinet folding doors

96



Mounting plates System 8099

- ▶ For Sensys and Intermat

104 - 105



Accessories

111 - 113



Silent System

- ▶ Optional Silent System for Intermat

114 - 117

Fast assembly concealed hinge

- ▶ **Intermat 9943**
- ▶ **Opening angle 110°**



- ▶ Concealed hinge with clip on installation
- ▶ Quality classification under EN 15570, Level 3
- ▶ For door thickness 15 - 25 mm
- ▶ Cup diameter 35 mm
- ▶ Cup depth 11.6 mm
- ▶ Integrated overlay adjustment + 2 mm / - 2 mm
- ▶ Integrated depth adjustment + 2.5 mm / - 1.5 mm
- ▶ Height adjustment at mounting plate
- ▶ Hinge arm material: nickel plated steel
- ▶ Hinge cup material: nickel plated steel

Intermat 9943, opening angle 110°

Cup assembly	Drilling pattern	Mounting hole ø x T mm	Full overlay	Half overlay	Inset	PU
			Base B 12,5 mm	Base B 3 mm	Base B -3,5 mm	
For screwing on TH 42		-	1 029 518 ✓	1 030 620 ✓	1 030 922 ✓	200 ea.
For pressing in TH 43		ø 10 x 11	1 029 520 ✓	1 030 622 ✓	1 030 924 ✓	200 ea.
Fix fast installation TH 45		ø 10 x 6	1 063 454 ✓	1 063 457 ✓	1 063 459 ✓	200 ea.
With premounted expanding sockets TH 48		ø 10 x 11	9 043 640 ✓	9 043 641 ✓	9 043 642 ✓	200 ea.



Item stocked in New Zealand

Fast assembly concealed hinge without self closing feature

- ▶ **Intermat 9973**
- ▶ **Opening angle 110°**



- ▶ Hinge with clip on installation without self closing feature
- ▶ For example for Push to open applications
- ▶ Quality classification under EN 15570, Level 3
- ▶ For door thickness 15 - 25 mm
- ▶ Cup diameter 35 mm
- ▶ Cup depth 11.6 mm
- ▶ Integrated overlay adjustment + 2 mm / - 2 mm
- ▶ Integrated depth adjustment + 2.5 mm / - 1.5 mm
- ▶ Height adjustment at mounting plate
- ▶ Hinge arm material: nickel plated steel
- ▶ Hinge cup material: nickel plated steel

Intermat 9973, opening angle 110°

Cup assembly	Drilling pattern	Mounting hole ø x T mm	Full overlay	Half overlay	Inset	PU
			Base B 12,5 mm	Base B 3 mm	Base B -3,5 mm	
For screwing on TH 42		-	9 043 361	9 043 362	9 043 363	50 ea.
For pressing in TH 43		ø 10 x 11	9 072 563 ✓	9 072 564	9 072 565	50 ea.
Fix fast installation TH 45		ø 10 x 6	9 043 364	9 043 365	9 043 366	50 ea.
With premounted expanding sockets TH 48		ø 10 x 11	9 072 569	9 072 570	9 072 571	50 ea.

For unsprung 110 degree hinges, refer to our Sensys unsprung option on page 18



Item stocked in New Zealand

► **Intermat 9943 / 9973**

► **Opening angle 110°**

Minimum reveal per door

Door thickness mm	Cup distance C mm				
	3.0	4.0	4.5	5.0	6.0
15	0.4	0.4	0.4	0.4	0.4
16	0.6	0.5	0.5	0.5	0.5
17	0.8	0.7	0.7	0.7	0.7
18	1.0	1.0	1.0	1.0	0.9
19	1.4	1.3	1.3	1.2	1.2
20	1.7	1.7	1.6	1.6	1.5
21	2.2	2.1	2.0	2.0	1.9
22	2.9	2.6	2.5	2.4	2.3
23	3.7	3.3	3.2	3.0	2.8
24	4.5	4.1	3.9	3.7	3.4
25	5.4	4.9	4.7	4.5	4.1

Please note:

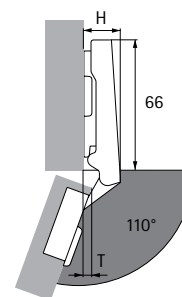
The table entries refer to doors with an edge radius of 1 mm.

On doors with other radii, the minimum reveal changes as follows:

Radius 0 mm:
Value in table + 0.4 mm

Radius 3 mm:
Value in table - 0.8 mm

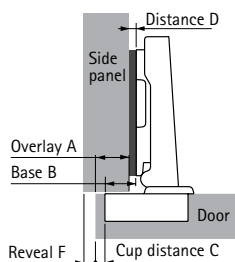
Protrusions / installed depth



Hinge protrusion H / door protrusion T for distance D = 0 mm and cup distance C = 3 mm

Door mounting option	H mm	T mm
Full overlay	19.5	7.5
Half overlay	29.0	17.0
Inset	35.5	23.5

Full overlay

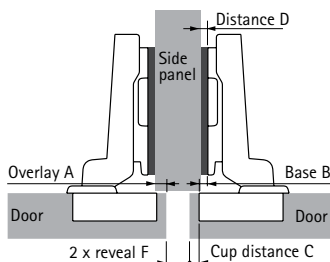


$$\text{Distance D} = \text{C} + \text{B} - \text{A}$$

$$= \text{cup distance C} + 12.5 \text{ mm} - \text{overlay A}$$

Overlay mm	Cup distance C mm				
	3.0	4.0	4.5	5.0	6.0
Distance D mm					
10	5.5	6.5	7.0	7.5	8.5
11	4.5	5.5	6.0	6.5	7.5
12	3.5	4.5	5.0	5.5	6.5
13	2.5	3.5	4.0	4.5	5.5
14	1.5	2.5	3.0	3.5	4.5
15	0.5	1.5	2.0	2.5	3.5
16		0.5	1.0	1.5	2.5
17			0.0	0.5	1.5
18					0.5

Half overlay

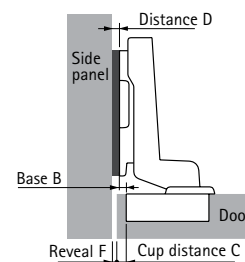


$$\text{Distance D} = \text{C} + \text{B} - \text{A}$$

$$= \text{cup distance C} + 3 \text{ mm} - \text{overlay A}$$

Overlay mm	Cup distance C mm				
	3.0	4.0	4.5	5.0	6.0
Distance D mm					
0.5	5.5	6.5	7.0	7.5	8.5
1.5	4.5	5.5	6.0	6.5	7.5
2.5	3.5	4.5	5.0	5.5	6.5
3.5	2.5	3.5	4.0	4.5	5.5
4.5	1.5	2.5	3.0	3.5	4.5
5.5	0.5	1.5	2.0	2.5	3.5
6.5		0.5	1.0	1.5	2.5
7.5			0.0	0.5	1.5
8.5					0.5

Inset



$$\text{Distance D} = \text{C} + \text{B} + \text{F}$$

$$= \text{cup distance C} - 3.5 \text{ mm} + \text{reveal F}$$

Doorthickness mm	Cup distance C mm				
	3.0	4.0	4.5	5.0	6.0
Distance D mm					
15	0.9	1.4	1.9	2.9	
16	0.1	1.0	1.5	2.0	3.0
17	0.3	1.2	1.7	2.2	3.2
18	0.5	1.5	2.0	2.5	3.4
19	0.9	1.8	2.3	2.7	3.7
20	1.2	2.2	2.6	3.1	4.0
21	1.7	2.6	3.0	3.5	4.3
22	2.4	3.1	3.5	3.9	4.8
23	3.2	3.8	4.2	4.5	5.3
24	4.0	4.6	4.9	5.2	5.9
25	4.9	5.4	5.7	6.0	6.6

Advice

- For mounting plates and accessories, see page 104 - 105, 111 - 113
- For Push to open opening system, see page 118 - 137
- For fitting information, installation notes and quality criteria, see page 98 - 103

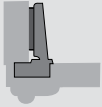
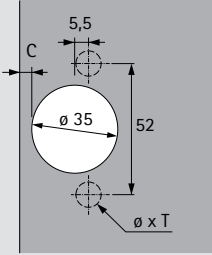
Fast assembly concealed hinge

- ▶ Intermat 9936 for doors in thicknesses up to 32 mm
- ▶ 95° opening angle

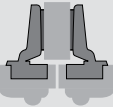

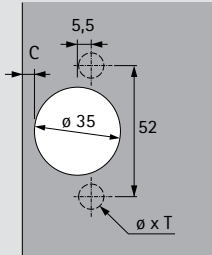


- ▶ Concealed hinge with clip on installation
- ▶ Quality classification under EN 15570, Level 2
- ▶ For door thickness 14 - 32 mm
- ▶ Cup diameter 35 mm
- ▶ Cup depth 10.5 mm (11.3 mm Fix)
- ▶ Integrated overlay adjustment + 2 mm / - 2 mm
- ▶ Integrated depth adjustment + 2.5 mm / - 1.5 mm
- ▶ Height adjustment at mounting plate
- ▶ Hinge arm material: nickel plated steel
- ▶ Hinge cup material: nickel plated steel

Intermat 9936, opening angle 95°

Cup assembly	Drilling pattern	Mounting hole ø x T mm	Full overlay 	Base B 12,5 mm	PU
For screwing on TH 42		-	1 058 365 ✓	200 ea.	
For pressing in TH 43		ø 10 x 11	1 058 371 ✓	200 ea.	
Fix fast installation TH 45		ø 10 x 6	1 063 472 ✓	200 ea.	
With premounted expanding sockets TH 48		ø 10 x 11	9 043 629 ✓	200 ea.	

Intermat 9936, opening angle 95°

Cup assembly	Drilling pattern	Mounting hole ø x T mm	Half overlay 	Inset 	Base B 3 mm	Base B -3,5 mm	PU
For screwing on TH 42		-	0 073 917 ✓	0 073 921 ✓	50 ea.		
For pressing in TH 43		ø 10 x 11	0 073 918 ✓	0 073 922 ✓	50 ea.		
Fix fast installation TH 45		ø 10 x 6	0 077 675 ✓	0 077 678 ✓	50 ea.		
With premounted expanding sockets TH 48		ø 10 x 11	9 043 587 ✓	9 043 588 ✓	50 ea.		



Item stocked in New Zealand

Fast assembly concealed hinge

- ▶ Intermat 9936 for doors in thicknesses up to 32 mm
- ▶ 95° opening angle

Minimum reveal per door

Door thickness mm	Cup distance C mm							
	3.0	4.0	4.5	5.0	6.0	7.0	8.0	
14	0.2	0.2	0.2	0.2	0.2	0.2	0.2	
15	0.3	0.2	0.2	0.2	0.2	0.2	0.2	
16	0.4	0.4	0.4	0.4	0.4	0.4	0.4	
17	0.5	0.5	0.5	0.5	0.5	0.5	0.5	
18	0.7	0.7	0.7	0.7	0.6	0.6	0.6	
19	0.9	0.9	0.9	0.8	0.8	0.8	0.8	
20	1.1	1.1	1.1	1.1	1.0	1.0	1.0	
21	1.4	1.3	1.3	1.3	1.3	1.2	1.2	
22	1.7	1.6	1.6	1.6	1.5	1.5	1.5	
23	2.0	1.9	1.9	1.9	1.8	1.8	1.7	
24	2.3	2.3	2.2	2.2	2.1	2.1	2.0	
25	2.8	2.7	2.6	2.6	2.5	2.4	2.4	
26	3.3	3.1	3.1	3.0	2.9	2.8	2.7	
27	4.2	3.7	3.6	3.5	3.3	3.2	3.1	
28	5.0	4.5	4.3	4.1	3.9	3.7	3.6	
29	5.9	5.4	5.2	4.9	4.6	4.3	4.1	
30	6.8	6.3	6.0	5.8	5.3	5.0	4.7	
31	7.8	7.2	6.9	6.6	6.1	5.7	5.4	
32	8.7	8.1	7.8	7.5	7.0	6.5	6.1	

Please note:

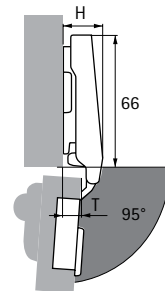
The table entries refer to doors with an edge radius of 1 mm.

On doors with other radii, the minimum reveal changes as follows:

Radius 0 mm:
Value in table + 0.4 mm

Radius 3 mm:
Value in table - 0.8 mm

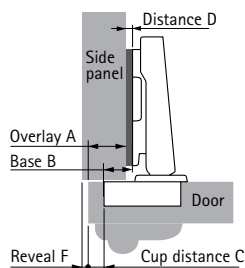
Protrusions / installed depth



Hinge protrusion H / door protrusion T for distance D = 0 mm and cup distance C = 3 mm

Door mounting option	H mm	T mm
Full overlay	19.5	10.0
Half overlay	29.0	19.5
Inset	35.5	26.0

Full overlay

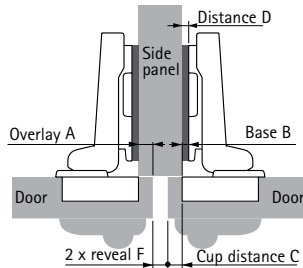


$$\text{Distance D} = \text{C} + \text{B} - \text{A}$$

$$= \text{cup distance C} + 12.5 \text{ mm} - \text{overlay A}$$

Overlay mm	Cup distance C mm							
	3.0	4.0	4.5	5.0	6.0	7.0	8.0	
Distance D mm								
10	5.5	6.5	7.0	7.5	8.5	9.5	10.5	
11	4.5	5.5	6.0	6.5	7.5	8.5	9.5	
12	3.5	4.5	5.0	5.5	6.5	7.5	8.5	
13	2.5	3.5	4.0	4.5	5.5	6.5	7.5	
14	1.5	2.5	3.0	3.5	4.5	5.5	6.5	
15	0.5	1.5	2.0	2.5	3.5	4.5	5.5	
16		0.5	1.0	1.5	2.5	3.5	4.5	
17			0.0	0.5	1.5	2.5	3.5	
18					0.5	1.5	2.5	
19						0.5	1.5	
20							0.5	

Half overlay

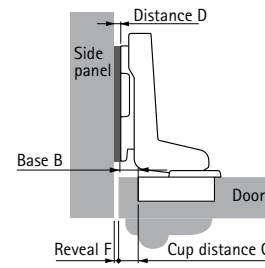


$$\text{Distance D} = \text{C} + \text{B} - \text{A}$$

$$= \text{cup distance C} + 3 \text{ mm} - \text{overlay A}$$

Overlay mm	Cup distance C mm							
	3.0	4.0	4.5	5.0	6.0	7.0	8.0	
Distance D mm								
0	6.0	7.0	7.5	8.0	9.0	10.0	11.0	
1	5.0	6.0	6.5	7.0	8.0	9.0	10.0	
2	4.0	5.0	5.5	6.0	7.0	8.0	9.0	
3	3.0	4.0	4.5	5.0	6.0	7.0	8.0	
4	2.0	3.0	3.5	4.0	5.0	6.0	7.0	
5	1.0	2.0	2.5	3.0	4.0	5.0	6.0	
6	0.0	1.0	1.5	2.0	3.0	4.0	5.0	
7		0.0	0.5	1.0	2.0	3.0	4.0	
8				0.0	1.0	2.0	3.0	
9					0.0	1.0	2.0	
10						0.0	1.0	
11							0.0	

Inset



$$\text{Distance D} = \text{C} + \text{B} + \text{F}$$

$$= \text{cup distance C} - 3.5 \text{ mm} + \text{reveal F}$$

Door thickness mm	Cup distance C mm							
	3.0	4.0	4.5	5.0	6.0	7.0	8.0	
Distance D mm								
14	0.7	1.2	1.7	2.7	3.7	4.7		
15	0.7	1.2	1.7	2.7	3.7	4.7		
16	0.9	1.4	1.9	2.9	3.9	4.9		
17	0.0	1.0	1.5	2.0	3.0	4.0	5.0	
18	0.2	1.2	1.7	2.2	3.1	4.1	5.1	
19	0.4	1.4	1.9	2.3	3.3	4.3	5.3	
20	0.6	1.6	2.1	2.6	3.5	4.5	5.5	
21	0.9	1.8	2.3	2.8	3.8	4.7	5.7	
22	1.2	2.1	2.6	3.1	4.0	5.0	6.0	
23	1.5	2.4	2.9	3.4	4.3	5.3	6.2	
24	1.8	2.8	3.2	3.7	4.6	5.6	6.5	
25	2.3	3.2	3.6	4.1	5.0	5.9	6.9	
26	2.8	3.6	4.1	4.5	5.4	6.3	7.2	
27	3.7	4.2	4.6	5.0	5.8	6.7	7.6	
28	4.5	5.0	5.3	5.6	6.4	7.2	8.1	
29	5.4	5.9	6.2	6.4	7.1	7.8	8.6	
30	6.3	6.8	7.0	7.3	7.8	8.5	9.2	
31	7.3	7.7	7.9	8.1	8.6	9.2	9.9	
32	8.2	8.6	8.8	9.0	9.5	10.0	10.6	

Advice

- ▶ For mounting plates and accessories, see page 104 - 105, 111 - 113
- ▶ For optional Silent System and Push to open system, see page 114 - 117, 118 - 137
- ▶ For fitting information, installation notes and quality criteria, see page 98 - 103

Fast assembly concealed hinge

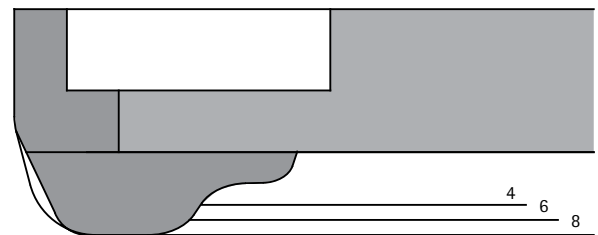
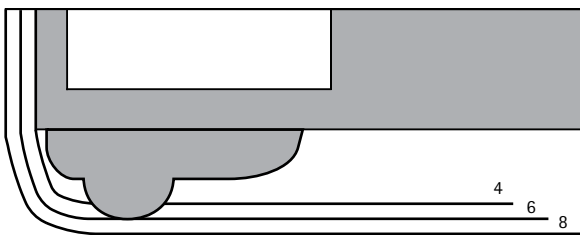
- ▶ **Intermat 9936 for doors in thicknesses up to 32 mm**
- ▶ **95° opening angle**

Door contours for minimum reveal application - scale 1:1

The values shown in the Minimum reveal table refer to non-rounded door edges.
Reveal values improve with chamfered door edges. To obtain a minimum reveal application, the chosen door contour must lie within the template. All contours protruding beyond the template will increase the reveal accordingly.



Example of minimum reveal application



Example of minimum reveal application

Door thickness	16 mm
Profile thickness	12 mm
Overall thickness	28 mm
Cup distance C	6 mm

Example of minimum reveal application

Door thickness	19 mm
Profile thickness	11 mm
Overall thickness	30 mm
Cup distance C	8 mm

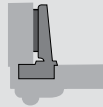
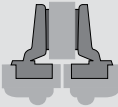

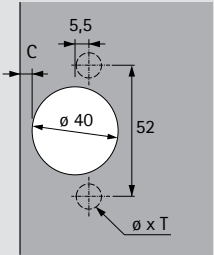
Fast assembly concealed hinge

- ▶ Intermat 9935 for doors in thicknesses up to 43 mm
- ▶ 95° opening angle



- ▶ Concealed hinge with clip on installation
- ▶ Quality classification under EN 15570, Level 2
- ▶ For door thickness 16 - 43 mm
- ▶ Cup diameter 40 mm
- ▶ Cup depth 13.7 mm
- ▶ Integrated overlay adjustment + 2 mm / - 2 mm
- ▶ Integrated depth adjustment + 2.5 mm / - 1.5 mm
- ▶ Height adjustment at mounting plate
- ▶ Hinge arm material: zinc die-cast nickel plated
- ▶ Cup hinge material: zinc die-cast nickel plated

Intermat 9935, opening angle 95°

Cup assembly	Drilling pattern	Mounting hole ø x T mm	Full overlay  Base B 18 mm	Half overlay  Base B 8 mm	Inset  Base B -3 mm	PU
For screwing on TH 22 / L		-	9 117 716 ✓	9 117 717 ✓	9 117 718 ✓	10 ea.

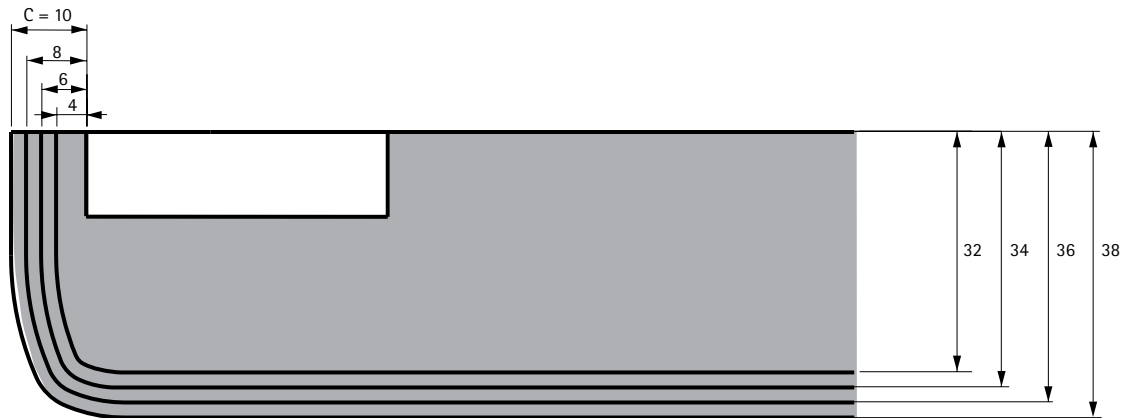


Item stocked in New Zealand

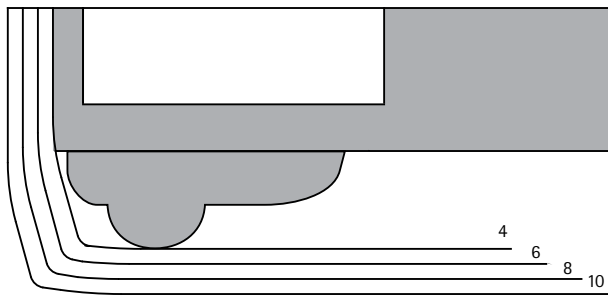
Fast assembly concealed hinge

- ▶ Intermat 9935 for doors in thicknesses up to 43 mm
- ▶ 95° opening angle

Door contours for minimum reveal application - scale 1:1

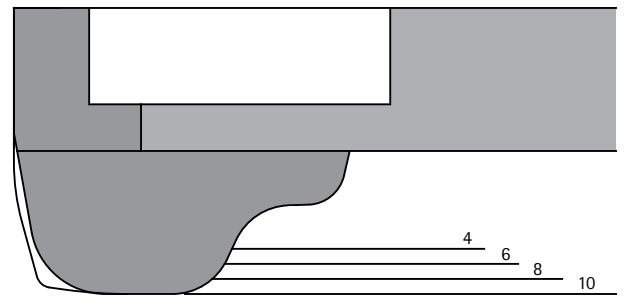


Example of minimum reveal application



Example of minimum reveal application

Door thickness	19 mm
Profile thickness	13 mm
Overall thickness	32 mm
Cup distance C	4 mm



Example of minimum reveal application

Door thickness	19 mm
Profile thickness	19 mm
Overall thickness	38 mm
Cup distance C	10 mm

Fast assembly concealed hinge

- ▶ Sensys 8657 with cup in Intermat design, zero protrusion hinge
- ▶ Opening angle 165°



- ▶ Concealed hinge with clip on installation without integrated Silent System
- ▶ Quality classification under EN 15570, Level 3
- ▶ For door thickness of 15 – 32 mm
- ▶ Cup diameter 35 mm
- ▶ Cup depth 11.6 mm
- ▶ Integrated overlay adjustment + 2 mm / - 2 mm
- ▶ Integrated depth adjustment +3 mm / - 2 mm
- ▶ Height adjustment at mounting plate
- ▶ Opening angle can be reduced by means of optional accessories
- ▶ Zero protrusion hinge
- ▶ Hinge arm material: nickel plated steel
- ▶ Hinge cup material: nickel plated steel
- ▶ Note: can only be used with System 8099 mounting plate

Sensys 8657, opening angle 165°

Cup assembly	Drilling pattern	Mounting hole ø x T mm	Full overlay		Half overlay		PU
			Base B 12,5 mm		Base B 3 mm		
For screwing on TH 42		-	9 099 750	✓	9 099 760	✓	50 ea.
For pressing in TH 43		ø 10 x 11	9 099 751	✓	9 099 761	✓	50 ea.
Fix fast installation THS 45		ø 10 x 6	9 099 753	✓	9 099 763	✓	50 ea.
With premounted expanding sockets TH 48		ø 10 x 11	9 099 756	✓	9 099 766	✓	50 ea.



Item stocked in New Zealand



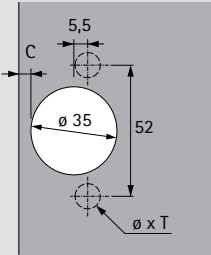
Fast assembly concealed hinge without self closing feature

- ▶ Sensys 8687 with cup in Intermat design, zero protrusion hinge
- ▶ Opening angle 165°



- ▶ Hinge with clip on installation without self closing feature
- ▶ For example for Push to open applications
- ▶ Quality classification under EN 15570, Level 3
- ▶ For door thickness of 15 – 32 mm
- ▶ Cup diameter 35 mm
- ▶ Cup depth 11.6 mm
- ▶ Integrated overlay adjustment + 2 mm / - 2 mm
- ▶ Integrated depth adjustment + 3 mm / - 2 mm
- ▶ Height adjustment at mounting plate
- ▶ Opening angle can be reduced by means of optional accessories
- ▶ Zero protrusion hinge
- ▶ Hinge arm material: nickel plated steel
- ▶ Hinge cup material: nickel plated steel
- ▶ Note: can only be used with System 8099 mounting plate

Sensys 8687, opening angle 165°

Cup assembly	Drilling pattern	Mounting hole ø x T mm	Full overlay	Half overlay	PU
					
For screwing on TH 42		-	Base B 12,5 mm	Base B 3 mm	50 ea.
For pressing in TH 43		ø 10 x 11	9 099 810	9 099 820	50 ea.
Fix fast installation THS 45		ø 10 x 6	9 099 811	9 099 821	50 ea.
With premounted expanding sockets TH 48		ø 10 x 11	9 099 813	9 099 823	50 ea.
			9 099 816	9 099 826	50 ea.

For unsprung 165 degree zero protrusion hinges, refer to our Sensys unsprung option on page 32

Fast assembly concealed hinge

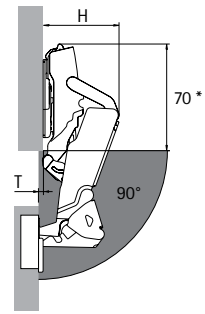
- ▶ Sensys 8657 / 8687 with cup in Intermat design, zero protrusion hinge
- ▶ Opening angle 165°

Minimum reveal per door

Door thickness mm	Cup distance C mm					
	3.0	4.0	4.5	5.0	6.0	7.0
15	0.0	0.0	0.0	0.0	0.0	0.0
16	0.0	0.0	0.0	0.0	0.0	0.0
17	0.0	0.0	0.0	0.0	0.0	0.0
18	0.0	0.0	0.0	0.0	0.0	0.0
19	0.0	0.0	0.0	0.0	0.0	0.0
20	0.0	0.0	0.0	0.0	0.0	0.0
21	0.0	0.0	0.0	0.0	0.0	0.0
22	0.0	0.0	0.0	0.0	0.0	0.0
23	0.0	0.0	0.0	0.0	0.0	0.0
24	0.0	0.0	0.0	0.0	0.0	0.0
25	0.0	0.0	0.0	0.0	0.0	0.0
26	0.1	0.1	0.1	0.1	0.1	0.1
27	0.1	0.1	0.1	0.1	0.1	0.1
28	0.2	0.2	0.2	0.2	0.2	0.3
29*	0.4	0.4	0.4	0.4	0.5	0.6
30**	0.7	0.7	0.8	0.8	1.0	1.1
31**	1.1	1.2	1.3	1.4	1.6	
32**	1.7	1.9	2.0	2.2		

*when using the opening angle limiter at 120°
 **when using the opening angle limiter at 105°

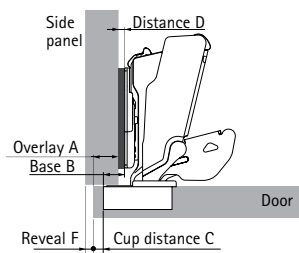
Protrusions / installed depth



No door protrusion T up to distance D = 3, unobstructed interior for pull-outs.
 *Hinge closed: 80 mm

Door mounting option	H mm (max. at 30°)	T mm (90°, D0)
Full overlay	66	-3
Half overlay	75.5	6.5

Full overlay

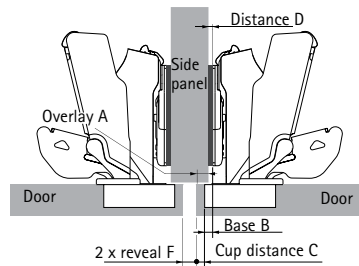


$$\text{Distance D} = C + B - A$$

= cup distance C + 12.5 mm - overlay A

Overlay mm	Cup distance C mm					
	3.0	4.0	4.5	5.0	6.0	7.0
Distance D mm						
10	5.5	6.5	7.0	7.5	8.5	9.5
11	4.5	5.5	6.0	6.5	7.5	8.5
12	3.5	4.5	5.0	5.5	6.5	7.5
13	2.5	3.5	4.0	4.5	5.5	6.5
14	1.5	2.5	3.0	3.5	4.5	5.5
15	0.5	1.5	2.0	2.5	3.5	4.5
16		0.5	1.0	1.5	2.5	3.5
17			0.0	0.5	1.5	2.5
18					0.5	1.5
19						0.5

Half overlay



$$\text{Distance D} = C + B - A$$

= cup distance C + 3 mm - overlay A

Overlay mm	Cup distance C mm					
	3.0	4.0	4.5	5.0	6.0	7.0
Distance D mm						
- 2	8.0	9.0	9.5	10.0	11.0	12.0
- 1	7.0	8.0	8.5	9.0	10.0	11.0
0	6.0	7.0	7.5	8.0	9.0	10.0
1	5.0	6.0	6.5	7.0	8.0	9.0
2	4.0	5.0	5.5	6.0	7.0	8.0
3	3.0	4.0	4.5	5.0	6.0	7.0
4	2.0	3.0	3.5	4.0	5.0	6.0
5	1.0	2.0	2.5	3.0	4.0	5.0
6	0.0	1.0	1.5	2.0	3.0	4.0
7		0.0	0.5	1.0	2.0	3.0
8				0.0	1.0	2.0
9					0.0	1.0
10						0.0

Advice

- ▶ For mounting plates and accessories, see page 104 - 105, 111 - 113
- ▶ For Push to open opening system, see page 118 - 137
- ▶ For fitting information, installation notes and quality criteria, see page 98 - 103

Fast assembly concealed hinge

- ▶ **Intermat 9936 W45**
- ▶ **For 45° face angle, 95° opening angle**



- ▶ Concealed hinge with clip on installation
- ▶ Quality classification under EN 15570, Level 2
- ▶ For 45° face angle
- ▶ For door thickness 14 - 32 mm
- ▶ Cup diameter 35 mm
- ▶ Cup depth 10.5 mm (11.3 mm Fix)
- ▶ Integrated overlay adjustment + 2 mm / - 2 mm
- ▶ Integrated depth adjustment + 2 mm / - 2 mm
- ▶ Height adjustment at mounting plate
- ▶ Hinge arm material: zinc die-cast nickel plated
- ▶ Hinge cup material: nickel plated steel

Intermat 9936 W45, opening angle 95°

Cup assembly	Drilling pattern	Mounting hole ø x T mm	Overlay		Inset	PU
			Base B 0 mm	Base B 6 mm	Base B -17 mm	
For screwing on TH 42		-	0 048 096 ✓	0 077 699 ✓	0 073 932 ✓	50 ea.
For pressing in TH 43		ø 10 x 11	0 048 097 ✓	0 077 700 ✓	0 073 933 ✓	50 ea.
Fix fast installation TH 45		ø 10 x 6	0 048 103 ✓	0 077 703 ✓	0 077 706 ✓	50 ea.
With premounted expanding sockets TH 48		ø 10 x 11	9 043 668 ✓	9 043 669 ✓	9 043 671 ✓	50 ea.



Item stocked in New Zealand




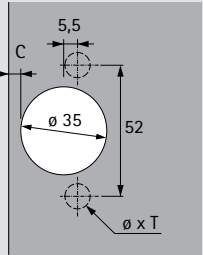
Fast assembly concealed hinge without self closing feature

- ▶ **Intermat 9966 W45**
- ▶ **For 45° face angle, 95° opening angle**



- ▶ Hinge with clip on installation without self closing feature
- ▶ For example for Push to open applications
- ▶ Quality classification under EN 15570, Level 2
- ▶ For 45° face angle
- ▶ For door thickness 14 - 32 mm
- ▶ Cup diameter 35 mm
- ▶ Cup depth 11.1 mm (11.6 mm Fix)
- ▶ Integrated overlay adjustment + 2 mm / - 2 mm
- ▶ Integrated depth adjustment + 2 mm / - 2 mm
- ▶ Height adjustment at mounting plate
- ▶ Hinge arm material: zinc die-cast nickel plated
- ▶ Hinge cup material: nickel plated steel

Intermat 9966 W45, opening angle 95°

Cup assembly	Drilling pattern	Mounting hole ø x T mm	Overlay		Inset	PU
						
For screwing on TH 42		-	9 044 832	9 044 835	9 044 838	50 ea.
For pressing in TH 43		ø 10 x 11	9 043 394	9 043 398	9 043 402	50 ea.
Fix fast installation TH 45		ø 10 x 6	9 044 833	9 044 836	9 044 839	50 ea.
With premounted expanding sockets TH 48		ø 10 x 11	9 043 760	9 043 761	9 043 762	50 ea.

For unsprung W45 degree hinges, refer to our Sensys unsprung option on page 40

Fast assembly concealed hinge

- ▶ Intermat 9936 / 9966 W45
- ▶ For 45° face angle, 95° opening angle

Minimum reveal per door

Door thickness mm	Cup distance C mm							
	3.0	4.0	4.5	5.0	6.0	7.0	8.0	
14	0.2	0.2	0.2	0.2	0.2	0.2	0.2	
15	0.3	0.2	0.2	0.2	0.2	0.2	0.2	
16	0.4	0.4	0.4	0.4	0.4	0.4	0.4	
17	0.5	0.5	0.5	0.5	0.5	0.5	0.5	
18	0.7	0.7	0.7	0.7	0.6	0.6	0.6	
19	0.9	0.9	0.9	0.8	0.8	0.8	0.8	
20	1.1	1.1	1.1	1.1	1.0	1.0	1.0	
21	1.4	1.3	1.3	1.3	1.3	1.2	1.2	
22	1.7	1.6	1.6	1.6	1.5	1.5	1.5	
23	2.0	1.9	1.9	1.9	1.8	1.8	1.7	
24	2.3	2.3	2.2	2.2	2.1	2.1	2.0	
25	2.8	2.7	2.6	2.6	2.5	2.4	2.4	
26	3.3	3.1	3.1	3.0	2.9	2.8	2.7	
27	4.2	3.7	3.6	3.5	3.3	3.2	3.1	
28	5.0	4.5	4.3	4.1	3.9	3.7	3.6	
29	5.9	5.4	5.2	4.9	4.6	4.3	4.1	
30	6.8	6.3	6.0	5.8	5.3	5.0	4.7	
31	7.8	7.2	6.9	6.6	6.1	5.7	5.4	
32	8.7	8.1	7.8	7.5	7.0	6.5	6.1	

Please note:

The table entries refer to doors with an edge radius of 1 mm.

On doors with other radii, the minimum reveal changes as follows:

Radius 0 mm:
Value in table + 0.4 mm

Radius 3 mm:
Value in table - 0.8 mm

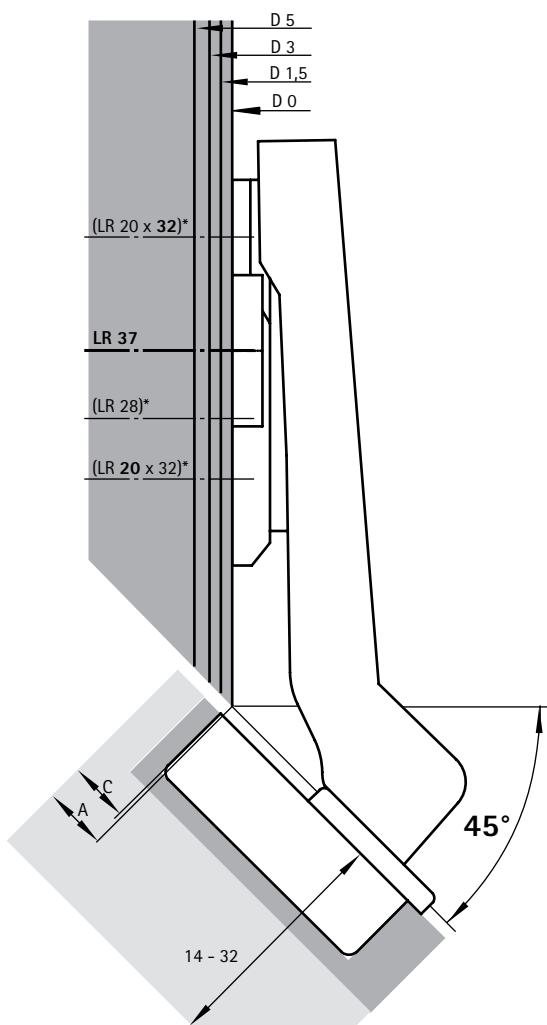
Note

The drawings below show the hinges including mounting plate distances on a scale of 1:1. The door reveal can be measured directly from the individual distance lines by drawing in the required cup distance C (3 - 8 mm).

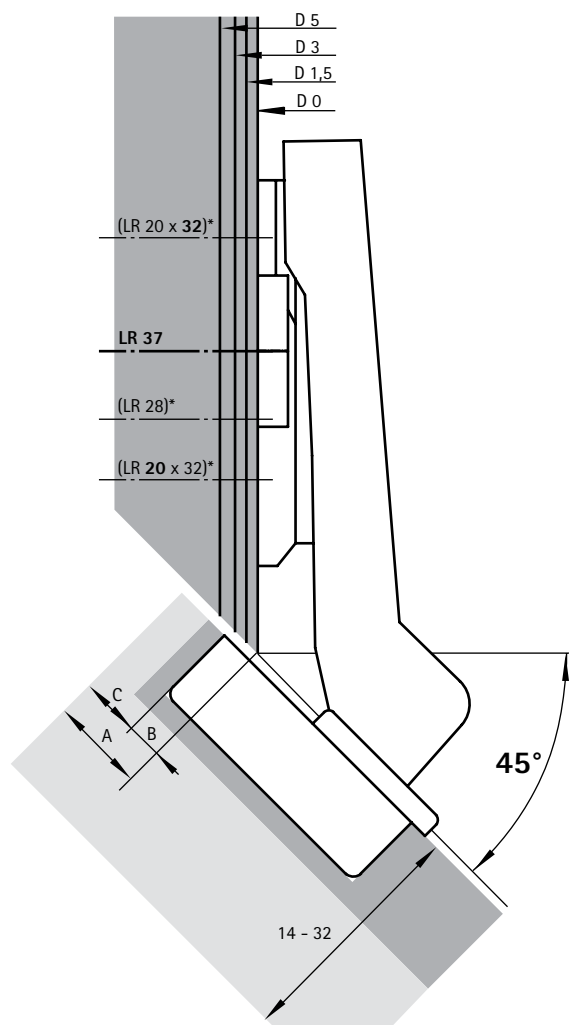
To determine the position for securing the mounting plate, measure along the selected distance line from the carcass front edge to the corresponding marking line for the line of holes.

Door thickness and cup distance C determine the required minimum reveal shown in the table.

Overlay (B 0 mm) - Scale 1:1



Overlay (B 6 mm) - Scale 1:1



Advice

- ▶ For mounting plates and accessories, see page 104 - 105, 111 - 113
- ▶ For Push to open opening system, see page 118 - 137
- ▶ For fitting information, installation notes and quality criteria, see page 98 - 103

Fast assembly concealed hinge

► Intermat 9936 / 9966 W45

► For 45° face angle, 95° opening angle

Minimum reveal per door

Door thickness mm	Cup distance C mm							
	3.0	4.0	4.5	5.0	6.0	7.0	8.0	
14	0.2	0.2	0.2	0.2	0.2	0.2	0.2	
15	0.3	0.2	0.2	0.2	0.2	0.2	0.2	
16	0.4	0.4	0.4	0.4	0.4	0.4	0.4	
17	0.5	0.5	0.5	0.5	0.5	0.5	0.5	
18	0.7	0.7	0.7	0.7	0.6	0.6	0.6	
19	0.9	0.9	0.9	0.8	0.8	0.8	0.8	
20	1.1	1.1	1.1	1.1	1.0	1.0	1.0	
21	1.4	1.3	1.3	1.3	1.3	1.2	1.2	
22	1.7	1.6	1.6	1.6	1.5	1.5	1.5	
23	2.0	1.9	1.9	1.9	1.8	1.8	1.7	
24	2.3	2.3	2.2	2.2	2.1	2.1	2.0	
25	2.8	2.7	2.6	2.6	2.5	2.4	2.4	
26	3.3	3.1	3.1	3.0	2.9	2.8	2.7	
27	4.2	3.7	3.6	3.5	3.3	3.2	3.1	
28	5.0	4.5	4.3	4.1	3.9	3.7	3.6	
29	5.9	5.4	5.2	4.9	4.6	4.3	4.1	
30	6.8	6.3	6.0	5.8	5.3	5.0	4.7	
31	7.8	7.2	6.9	6.6	6.1	5.7	5.4	
32	8.7	8.1	7.8	7.5	7.0	6.5	6.1	

Please note:

The table entries refer to doors with an edge radius of 1 mm.

On doors with other radii, the minimum reveal changes as follows:

Radius 0 mm:

Value in table + 0.4 mm

Radius 3 mm:

Value in table - 0.8 mm

Note

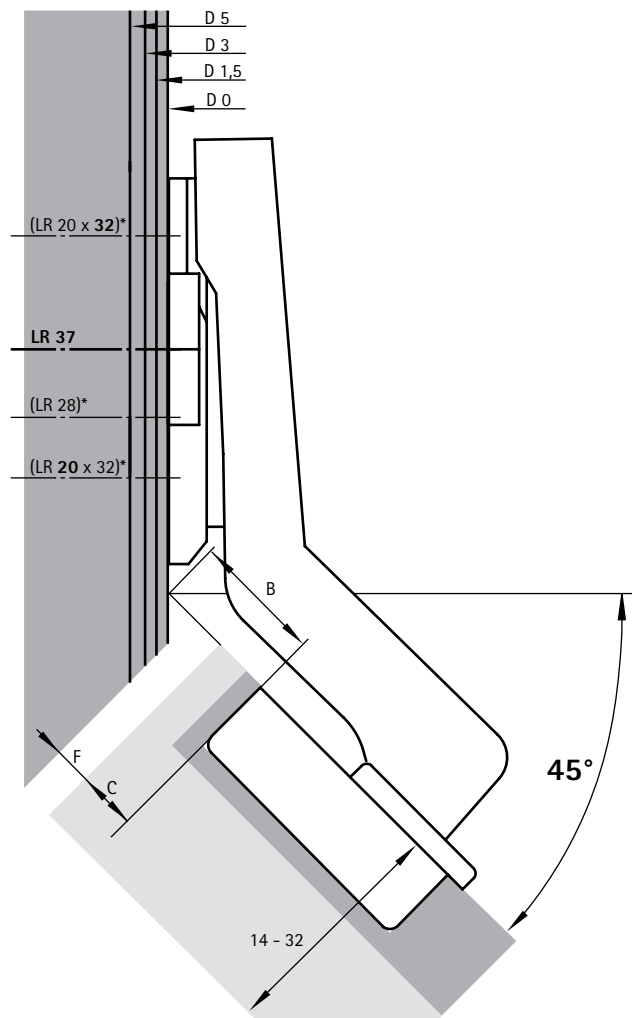
The drawings below show the hinges including mounting plate distances on a scale of 1:1.

The door reveal can be measured directly from the individual distance lines by drawing in the required cup distance C (3 - 8 mm).

To determine the position for securing the mounting plate, measure along the selected distance line from the carcass front edge to the corresponding marking line for the line of holes.

Door thickness and cup distance C determine the required minimum reveal shown in the table.

Inset (B - 17 mm) - Scale 1:1



Advice

- For mounting plates and accessories, see page 104 - 105, 111 - 113
- For Push to open opening system, see page 118 - 137
- For fitting information, installation notes and quality criteria, see page 98 - 103

Fast assembly concealed hinge

- ▶ **Intermat 9936 W90**
- ▶ **For 90° face angle, 95° opening angle**



- ▶ Concealed hinge with clip on installation
- ▶ Quality classification under EN 15570, Level 2
- ▶ For 90° face angle
- ▶ For door thickness 14 - 28 mm
- ▶ Cup diameter 35 mm
- ▶ Cup depth 10.5 mm (11.3 mm Fix)
- ▶ Integrated adjustment of door offset + 2 mm / - 2 mm
- ▶ Integrated reveal adjustment + 2 mm / - 2 mm
- ▶ Height adjustment at mounting plate
- ▶ Hinge arm material: zinc die-cast nickel plated
- ▶ Hinge cup material: nickel plated steel

Intermat 9936 W90, opening angle 95°

		Inset		
		Base B 5 mm		PU

Cup assembly	Drilling pattern	Mounting hole ø x T mm		
For screwing on TH 42		-	0 077 708	✓ 50 ea.
For pressing in TH 43		ø 10 x 11	0 077 709	✓ 50 ea.
Fix fast installation TH 45		ø 10 x 6	0 077 712	✓ 50 ea.
With premounted expanding sockets TH 48		ø 10 x 11	9 043 672	✓ 50 ea.

Items stocked in New Zealand


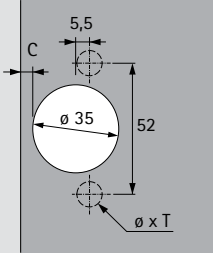
Fast assembly concealed hinge without self closing feature

- ▶ **Intermat 9966 W90**
- ▶ **For 90° face angle, 95° opening angle**



- ▶ Hinge with clip on installation without self closing feature
- ▶ For example for Push to open applications
- ▶ Quality classification under EN 15570, Level 2
- ▶ For 90° face angle
- ▶ For door thickness 14 - 28 mm
- ▶ Cup diameter 35 mm
- ▶ Cup depth 11.1 mm (11.6 mm Fix)
- ▶ Integrated adjustment of door offset + 2 mm / - 2 mm
- ▶ Integrated reveal adjustment + 2 mm / - 2 mm
- ▶ Height adjustment at mounting plate
- ▶ Hinge arm material: zinc die-cast nickel plated
- ▶ Hinge cup material: nickel plated steel

Intermat 9966 W90, opening angle 95°

Cup assembly	Drilling pattern	Mounting hole ø x T mm	Inset 	
For screwing on TH 42		-	Base B 5 mm	PU
For pressing in TH 43		ø 10 x 11	9 044 841	50 ea.
Fix fast installation TH 45		ø 10 x 6	9 044 821	50 ea.
With premounted expanding sockets TH 48		ø 10 x 11	9 044 842	50 ea.
		ø 10 x 11	9 043 763	50 ea.

For unsprung W90 blind corner hinges, refer to our Sensys unsprung option, page 44

Fast assembly concealed hinge

- ▶ **Intermat 9936 / 9966 W90**
- ▶ **For 90° face angle, 95° opening angle**

Minimum reveal per door

Door thickness mm	Cup distance C mm					
	3.0	4.0	4.5	5.0	6.0	7.0
14	0.2	0.2	0.2	0.2	0.2	0.2
15	0.3	0.2	0.2	0.2	0.2	0.2
16	0.4	0.4	0.4	0.4	0.4	0.4
17	0.5	0.5	0.5	0.5	0.5	0.5
18	0.7	0.7	0.7	0.7	0.6	0.6
19	0.9	0.9	0.9	0.8	0.8	0.8
20	1.1	1.1	1.1	1.1	1.0	1.0
21	1.4	1.3	1.3	1.3	1.3	
22	1.7	1.6	1.6	1.6	1.5	
23	2.0	1.9	1.9	1.9	1.8	
24	2.3	2.3	2.2	2.2	2.1	
25	2.8	2.7	2.6	2.6		
26	3.3	3.1	3.1			
27	4.2	3.7	3.6			
28	5.0					

Please note:

The table entries refer to doors with an edge radius of 1 mm.

On doors with other radii, the minimum reveal changes as follows:

Radius 0 mm:
Value in table + 0.4 mm

Radius 3 mm:
Value in table - 0.8 mm

Note

The drawings below show the hinges including mounting plate distances on a scale of 1:1.

Full overlay

- overlay A = cup distance C + 8.5 mm
- hole line distance X
- for LR37 mounting plate = 37 mm
- X > 20 mm

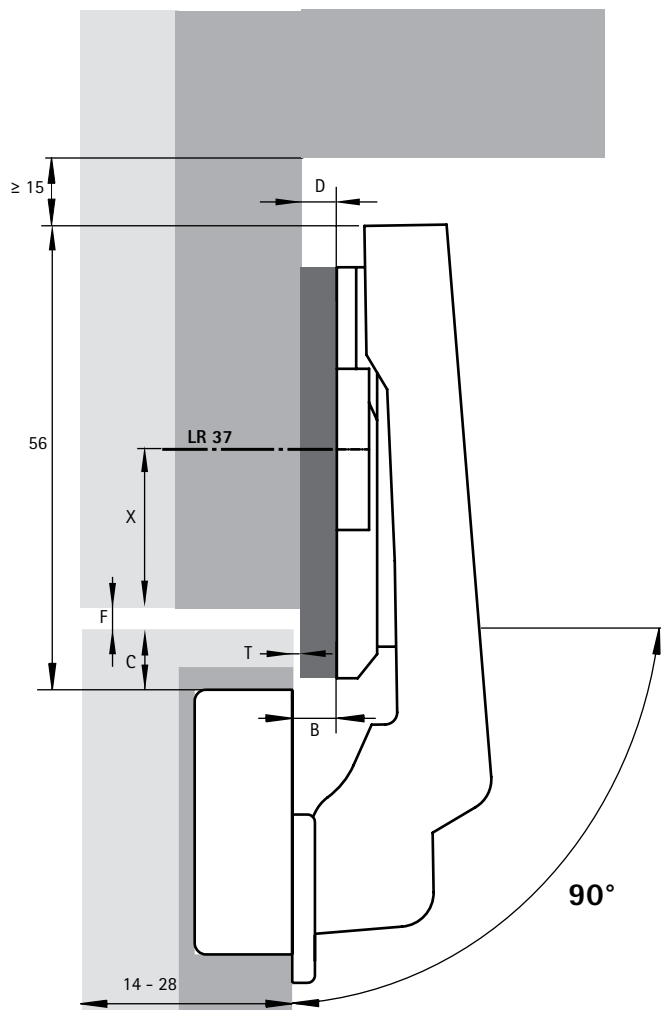
Inset

- hole line distance X
- for LR37 mounting plate = 28 mm - C - F
- X > 20 mm

Inset (B 5 mm) - Scale 1:1

Distance D = 5 mm - door offset

e.g. door offset 0 mm: distance D = 5 mm



Advice

- ▶ For mounting plates and accessories, see page 104 - 105, 111 - 113
- ▶ For Push to open opening system, see page 118 - 137
- ▶ For fitting information, installation notes and quality criteria, see page 98 - 103

Fast assembly concealed hinge

- ▶ Intermat 9904 for glass doors
- ▶ 95° opening angle



- ▶ Concealed hinge with clip on installation
- ▶ Quality classification under EN 15570, Level 2
- ▶ For glass thicknesses 4.0 - 6.5 mm
- ▶ Cup diameter 26 mm
- ▶ Integrated overlay adjustment + 2 mm / - 2 mm
- ▶ Integrated depth adjustment + 2.5 mm / - 1.5 mm
- ▶ Height adjustment at mounting plate
- ▶ Hinge arm material: zinc die-cast nickel plated
- ▶ Hinge cup material: black plastic

Intermat 9904, opening angle 95°

Cup assembly	Drilling pattern	Mounting hole ø x T mm	Full overlay	Half overlay	Inset	PU
			Base B 11 mm	Base B 2,5 mm	Base B -4 mm	
For screwing on TU 12 / S		-	0 072 960 ✓	0 072 967 ✓	0 072 968 ✓	50 ea.

Decorative caps type A



Finish	Order no.	PU
1 Chrome-plated high-gloss	0 040 341 ✓	50 set
2 Nickel-plated matt	0 070 712 ✓	50 set

Set, including cap mount and fixing screws. For glass thicknesses 5.5 - 6.5 mm a separate fixing screw 9 082 429 must be ordered.

Decorative caps type B



Finish	Order no.	PU
1 Chrome-plated high-gloss	0 040 495 ✓	50 set
2 Nickel-plated matt	0 070 713 ✓	50 set

Set, including cap mount and fixing screws. For glass thicknesses 5.5 - 6.5 mm a separate fixing screw 9 082 429 must be ordered.

✓ Item stocked in New Zealand

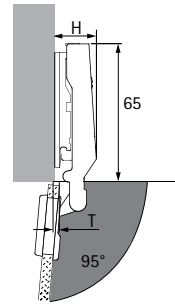
Fast assembly concealed hinge

- ▶ Intermat 9904 for glass doors
- ▶ 95° opening angle

Minimum reveal per door

Door thickness mm	Cup distance C mm	
	5.5	6.0
4.0	0.0	0.0
5.0	0.0	0.0
5.5	0.0	0.0
6.0	0.0	0.0
6.5	0.0	0.0

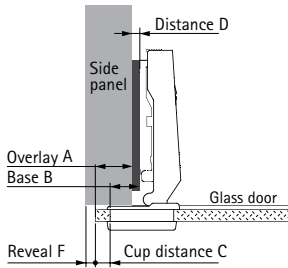
Protrusions / installed depth



Hinge protrusion H / door protrusion T for distance D = 0 mm and cup distance C = 5.5 mm

Door mounting option	H mm	T mm
Full overlay	19.0	4.0
Half overlay	23.0	12.5
Inset	29.5	19.0

Full overlay

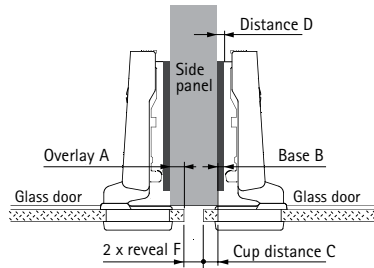


$$\text{Distance D} = \text{C} + \text{B} - \text{A}$$

$$= \text{cup distance C} + 11 \text{ mm} - \text{overlay A}$$

Overlay mm	Cup distance C mm	
	5.5	6.0
Distance D mm		
9	7.5	8.0
10	6.5	7.0
11	5.5	6.0
12	4.5	5.0
13	3.5	4.0
14	2.5	3.0
15	1.5	2.0
16	0.5	1.0
16.5	0.0	0.5

Half overlay

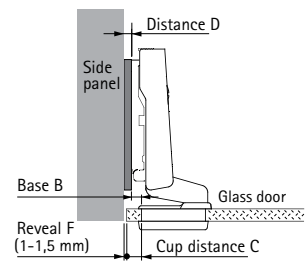


$$\text{Distance D} = \text{C} + \text{B} - \text{A}$$

$$= \text{cup distance C} + 2.5 \text{ mm} - \text{overlay A}$$

Overlay mm	Cup distance C mm	
	5.5	6.0
Distance D mm		
0	8.0	8.5
1	7.0	7.5
2	6.0	6.5
3	5.0	5.5
4	4.0	4.5
5	3.0	3.5
6	2.0	2.5
7	1.0	1.5
7.5	0.5	1.0
8	0.0	0.5

Inset



$$\text{Distance D} = \text{C} + \text{B} + \text{F}$$

$$= \text{cup distance C} - 4 \text{ mm} + \text{reveal F}$$

Reveal mm	Cup distance C mm	
	5.5	6.0
Distance D mm		
1.0	2.5	3.0
1.5	3.0	3.5

Advice

- ▶ For mounting plates and accessories, see page 104 - 105, 111 - 113
- ▶ For optional Silent System and Push to open system, see page 114 - 117, 118 - 137
- ▶ For fitting information, installation notes and quality criteria, see page 98 - 103

Fast assembly concealed hinge

- ▶ Intermat 9930 for corner cabinet folding doors
- ▶ 50° / 65° opening angle



- ▶ Concealed hinge with clip on installation
- ▶ Quality classification under EN 15570, Level 2
- ▶ Cup diameter 35 mm
- ▶ Cup depth 10.5 mm (11.3 mm Fix)
- ▶ Diagonal adjustment + 9.5 mm / - 9.5 mm
- ▶ Integrated overlay adjustment, see sketch
- ▶ For integrated depth adjustment, see sketch
- ▶ Height adjustment at mounting plate
- ▶ Hinge arm material: zinc die-cast nickel plated
- ▶ Hinge cup material: nickel plated steel

Intermat 9930, opening angle 50° / 65°

Overlay

Base B 24 mm

PU

Cup assembly	Drilling pattern	Mounting hole ø x T mm	Base B 24 mm	PU
For screwing on TH 42		-	0 045 036 ✓	50 ea.
For pressing in TH 43		ø 10 x 11	0 045 037 ✓	50 ea.
Fix fast installation TH 45		ø 10 x 6	0 045 042 ✓	50 ea.
With premounted expanding sockets TH 48		ø 10 x 11	9 044 823 ✓	50 ea.



Item stocked in New Zealand

Fast assembly concealed hinge

- ▶ **Intermat 9930 for corner cabinet folding doors**
- ▶ **50° / 65° opening angle**

Version A - Cup drill holes in one door

- ▶ All cup drillings in one door
- ▶ Hairline reveal can be provided between door units
- ▶ No cutaway in cup holes necessary
- ▶ Same door width for both elements
- ▶ Diagonal adjustment capability for easy adjustment to door thickness
- ▶ Same cup distance on both sides of side mounted door
- ▶ Hole line distance of 37 mm in the folding door panel
- ▶ For door thickness 16 - 21 mm
- ▶ Cup distance C 3 - 6 mm

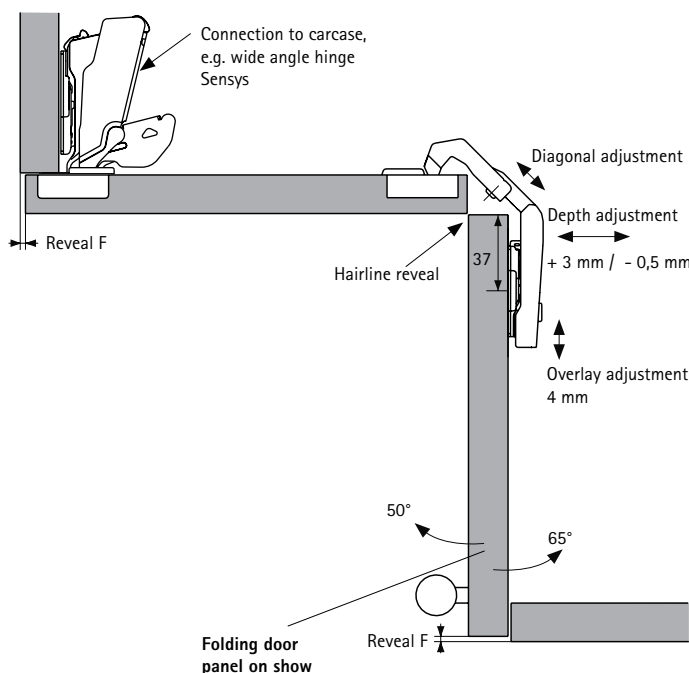
Version A - Calculation of door width

Door width = carcass width - reveal F - door thickness

Version A - Calculation of mounting plate distance

For cup distance C = 4.5 mm: Distance D = 0 mm
 For cup distance C = 3.0 mm: Distance D = 1.5 mm

Differing cup distances can be evened out by depth and diagonal adjustment capability.



Advice

- ▶ For mounting plates and accessories, see page 104 - 105, 111 - 113
- ▶ For fitting information, installation notes and quality criteria, see page 98 - 103

Version B - Cup drill holes in both doors

- ▶ Both door units are the same
- ▶ No cutaway in cup holes necessary
- ▶ Diagonal adjustment capability for easy adjustment to door thickness
- ▶ Hole line distance of 41 mm in the side mounted door
- ▶ For door thickness 16 - 21 mm
- ▶ Cup distance C 3 - 6 mm

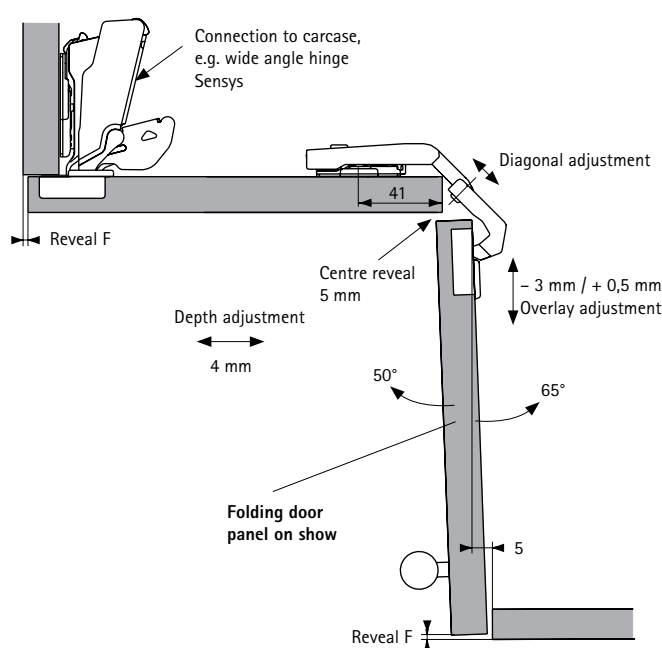
Version B - Calculation of door width

Door width = carcass width - reveal F - door thickness - 5 mm

Version B - Calculation of mounting plate distance

For cup distance C = 4.5 mm: Distance D = 0 mm
 For cup distance C = 3.0 mm: Distance D = 1.5 mm

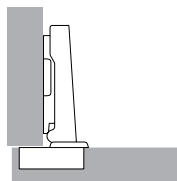
Differing cup distances can be evened out by depth and diagonal adjustment capability.



Fast assembly concealed hinge

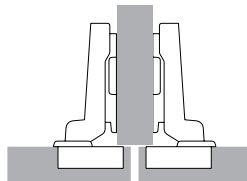
- ▶ **Intermat**
- ▶ **Fitting information**

Full overlay door



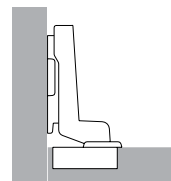
The door is in front of the carcass side and only a small gap remains at the side within which the door can open reliably. Alternatively, the door can also be overlaid fully. In this case sufficient space must be allowed at the side for the required minimum reveal. Straight hinges are used.

Half overlay door



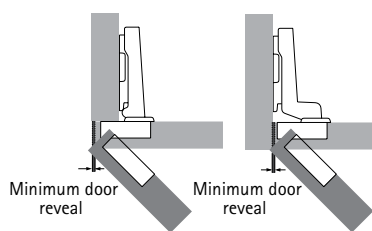
This is where two doors are positioned in front of a cabinet centre panel, with the required overall reveal between them (at least 2 x minimum reveal). In other words, each door has a smaller overlay and cranked hinges are therefore used.

Inset door



The door is positioned inside the carcass, i.e. next to the carcass side. Here too, a gap is needed so that the door can open reliably. Highly cranked hinges are used here. For an inset door, the mounting plate must be set back by the door thickness + 1 mm as well as by any any chosen door offset.

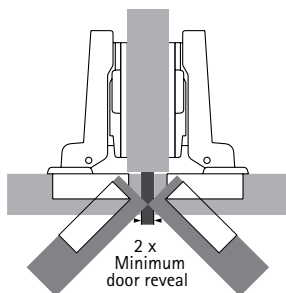
Minimum reveal



For full overlay and inset doors

The minimum reveal (also known as the door clearance or minimum clearance) is the space required at the side so that the door can open. The size of the minimum reveal depends on the cup distance C, the door thickness and the type of hinge selected. Radii on the door edges reduce the door clearance. The minimum reveal is shown in the table for the respective hinge types.

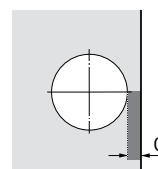
Minimum reveal



For half overlay doors

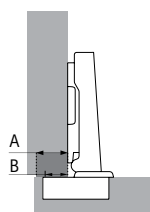
The total reveal selected between the doors must be at least twice the door clearance. Both doors can then be opened at the same time.

Cup distance C



Cup distance C is the distance between the door edge and the edge of the cup drilling. The greater the distance selected for cup distance C, the smaller door clearance will be, i.e. the minimum reveal required.

Overlay / Base



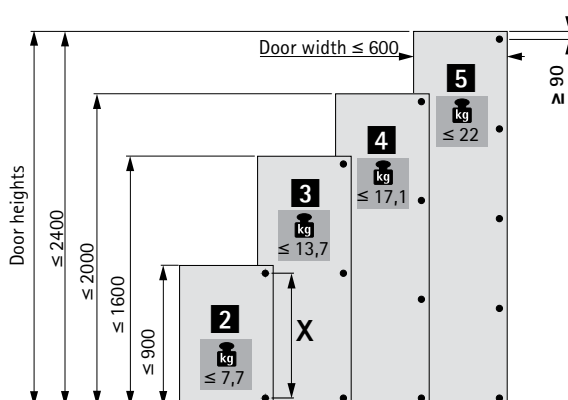
A = Overlay
B = Base

Overlay refers to the projection of the door in front of the carcass side. Base refers to the projection of the cup in front of the carcass side for a mounting plate distance of 0 mm.

Number of hinges per door

Door width, height and weight as well as the material quality of the door are decisive factors determining the number of hinges required.

The factors encountered in practice differ widely from case to case. For this reason, the number of hinges specified in the diagram must be understood as a guide only. If in doubt, it is recommended to carry out a trial mounting and adjust the number of hinges as necessary. For reasons of stability, space X between the hinges must always be made as large as possible. The space X must be at least 280 mm.



Fast assembly concealed hinge

- ▶ Intermat
- ▶ Fitting information

General calculation of distances

Mounting plates are available in various distances. The effective height of the mounting plate is defined by distance D. Distance D is embossed on the top of each mounting plate. A larger distance D reduces overlay for full and half overlay applications. On inset doors, a larger distance D increases the door reveal. Before determining the required distance,

check whether the desired reveal is equal to or greater than the required minimum reveal. If the desired reveal is less than the required minimum reveal, the required minimum reveal can be reduced by increasing cup distance C or by producing radii on the door edges.

Calculation of distances

For full overlay and half overlay doors

The required distance D can be determined after checking the minimum reveal. Ideally, the door reveal and cup distance should be selected to produce a distance D that is available as mounting plate.

Example: Working out distances according to the table

Overlay = 14 mm and cup distance C = 4.5 mm yield a distance D equal to 3.0 mm.

Example: Working out distances using the calculation formula

Hinge for full overlay door, base B = 12.5 mm
 Distance D = Cup distance C + base B - overlay A
 Distance D = 4.5 mm + 12.5 mm - 14 mm = 3.0 mm

Intermediate distances not available as mounting plate distances are achieved by adjusting the hinge overlay.

Overlay mm	Cup distance C mm					
	3,0	4,0	4,5	5,0	6,0	7,0
	Distance D mm					
10	5,5	6,5	7,0	7,5	8,5	9,5
11	4,5	5,5	6,0	6,5	7,5	8,5
12	3,5	4,5	5,0	5,5	6,5	7,5
13	2,5	3,5	4,0	4,5	5,5	6,5
14	1,5	2,5	3,0	3,5	4,5	5,5
15	0,5	1,5	2,0	2,5	3,5	4,5
16		0,5	1,0	1,5	2,5	3,5
17			0,0	0,5	1,5	2,5
18					0,5	1,5
19						0,5

Calculation of distances

For inset doors

When calculating the mounting plate distance using the table for the inset, allowance is automatically made for the reveal to be designated as the minimum reveal in relation to cup distance C and the door thickness in the minimum reveal table. If a reveal is to be produced that is larger than this minimum reveal, select a mounting plate distance of the appropriate size.

Example: Working out distances according to the table

According to the table, a door thickness = 20 mm and cup distance C = 4.5 mm produce a mounting plate distance of 1.5 mm. This gives the required minimum reveal, for example, of 1 mm. If a reveal of 2.5 mm is preferred instead, select a mounting plate distance which is 1.5 mm larger. In this example, therefore, a distance of 3 mm instead of 1.5 mm.

Example: Working out distances using the calculation formula

Hinge for inset application, base value B = - 4 mm
 Distance D = cup distance C + base B + reveal F
 Distance D = 4.5 mm - 4 mm + 1 mm = 1.5 mm

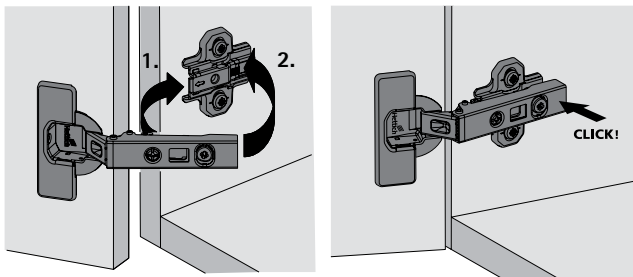
Intermediate distances not available as mounting plate distances are achieved by adjusting the overlay adjustment of the hinge.

Door thickness mm	Cup distance C mm					
	3,0	4,0	4,5	5,0	6,0	7,0
	Distance D mm					
15		0,2	0,7	1,2	2,2	3,2
16		0,3	0,8	1,3	2,3	3,3
17		0,4	0,9	1,4	2,4	3,4
18		0,6	1,1	1,6	2,6	3,5
19		0,8	1,3	1,8	2,7	3,7
20	0,1	1,0	1,5	2,0	3,0	3,9
21	0,4	1,3	1,8	2,3	3,2	4,2
22	1,2	1,8	2,2	2,6	3,6	4,5

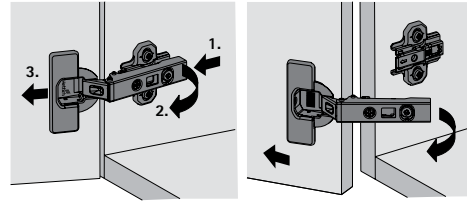
Fast assembly concealed hinge

- ▶ Intermat
- ▶ Installation notes

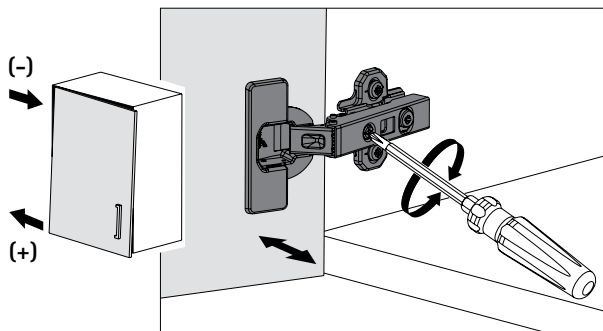
Installation



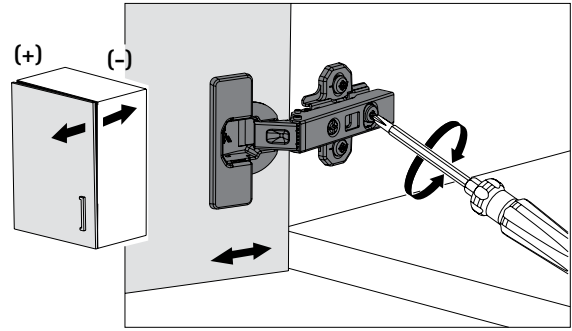
Removal



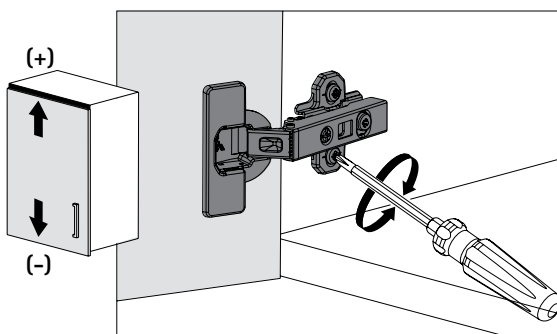
Overlay adjustment



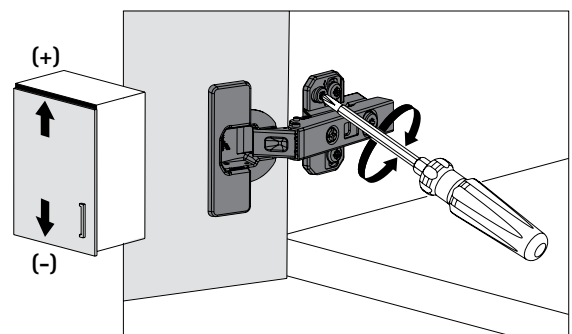
Depth adjustment



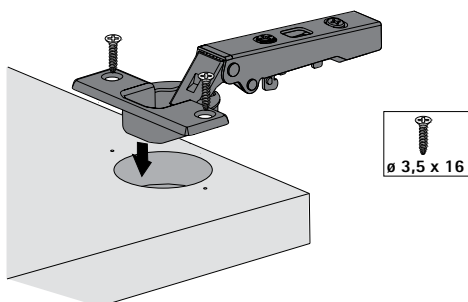
Oblong hole height adjustment



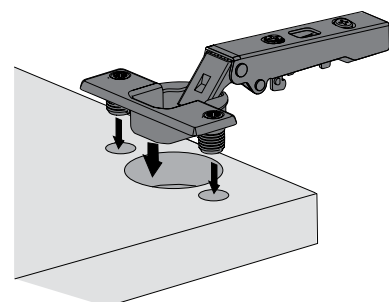
Eccentric cam height adjustment



Cup installation for screwing on



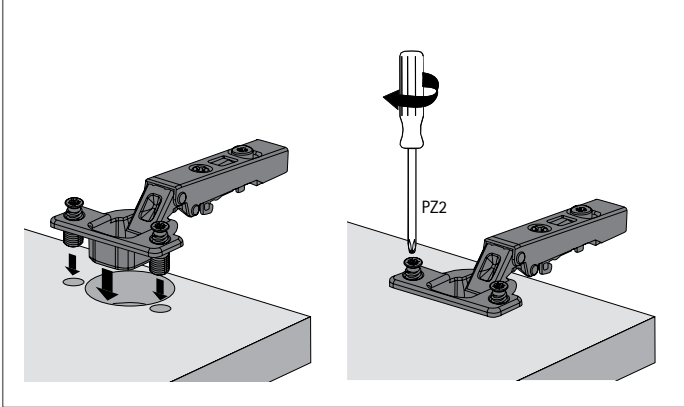
Cup installation for pressing in



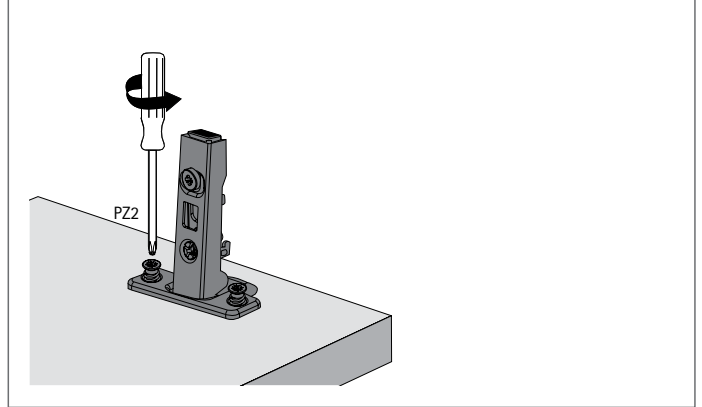
Fast assembly concealed hinge

- ▶ Intermat
- ▶ Installation notes

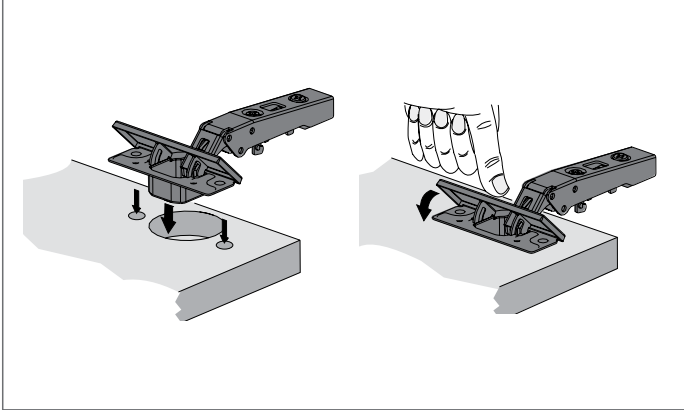
Cup installation with premounted expanding sockets



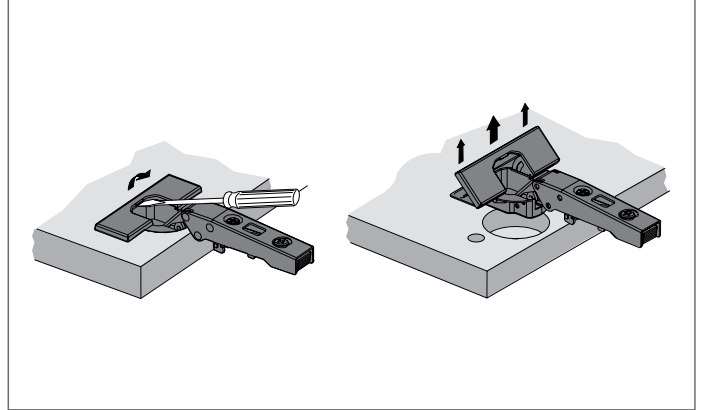
Removing with premounted expanding sockets



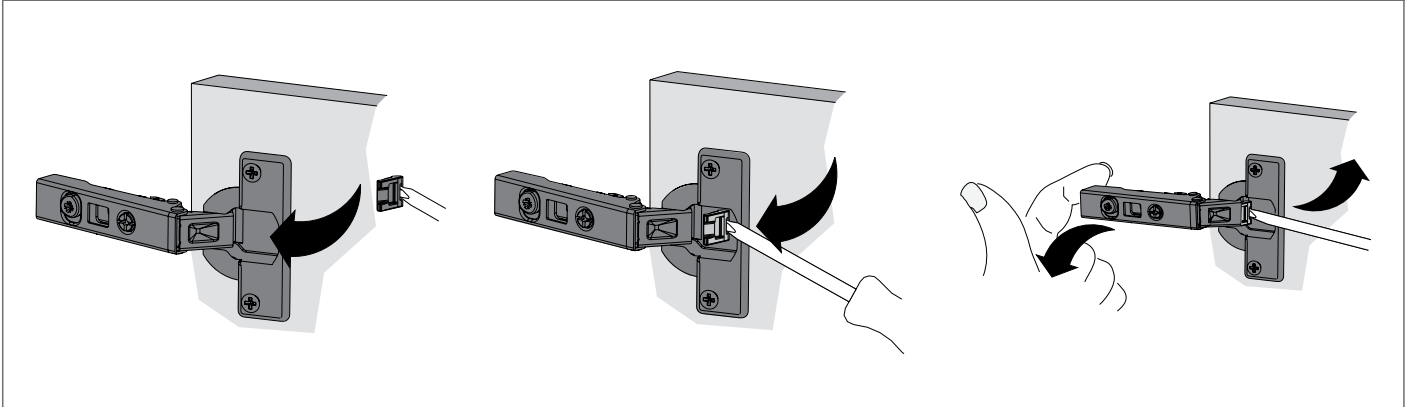
Fix cup installation



Removing Fix



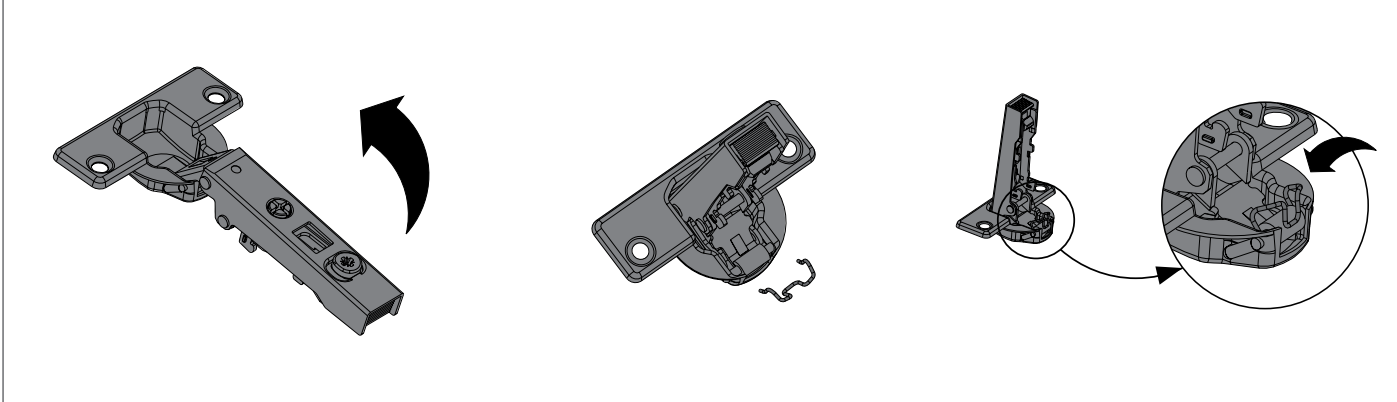
Installing opening angle limiter for Intermat 9943 / 9973



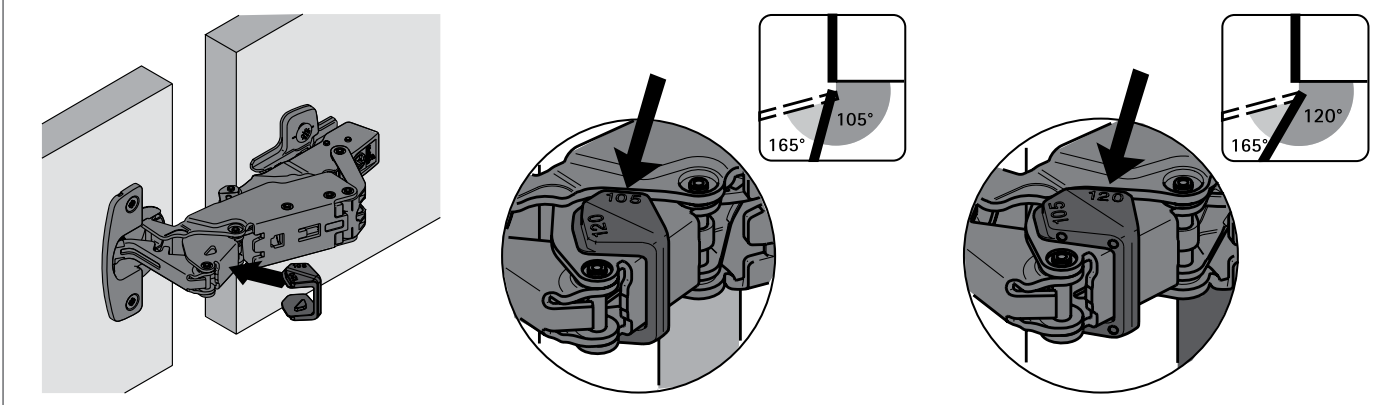
Fast assembly concealed hinge

- ▶ Intermat
- ▶ Installation notes

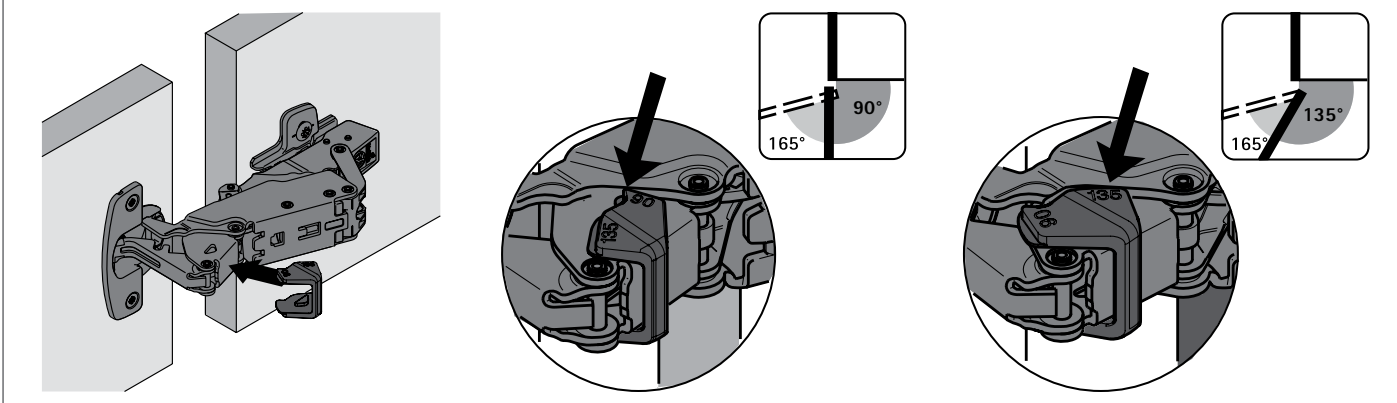
Installing opening angle limiter for Intermat 9936 / 9936 W / 9966 W



Installing the opening angle limiter for Sensys zero protrusion hinge



Installing the opening angle limiter for Sensys zero protrusion hinge



Fast assembly concealed hinge

- ▶ Intermat
- ▶ Quality criteria

Quality that meets all the demands

Quality that meets all the demands

The quality of hinges is subject to a process of continuous monitoring. Hettich fittings comply with the national and international quality standards of the markets our customers operate in. The diagrams below show examples of the principles behind some of the testing processes.

Application

Hettich hinges can be used in living room, kitchen, bathroom and office furniture both in the home and business environment.

Load capacity

The quality levels indicated on products comply with the requirements of EN 15570 and satisfy the overload tests at the specified level. We will be pleased to provide any further information you may require.

Corrosion test

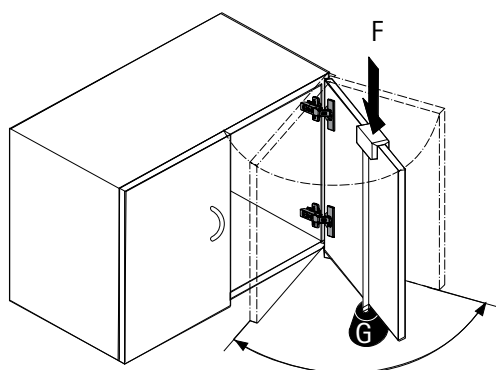
Hettich hinges satisfy the corrosion requirements under EN ISO 9227-2012 in accordance with the 48 h neutral salt spray test (NSS) as well as DIN EN ISO 6270-2-2012 in accordance with the 96 h alternating condensation water climate test with alternating air humidity and temperature (AHT).

Quality assurance

The processes for assuring the quality of Hettich hinges are certified under EN ISO 9001, Cert. No. DE8000209.

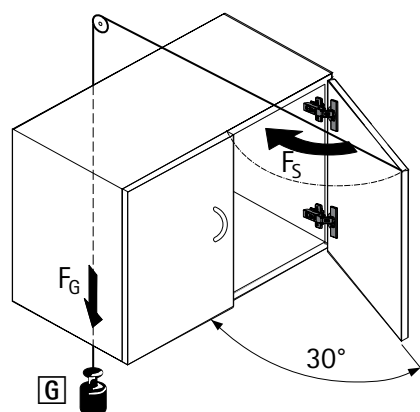
Endurance test

The door is subjected to a specific number of opening and closing cycles.



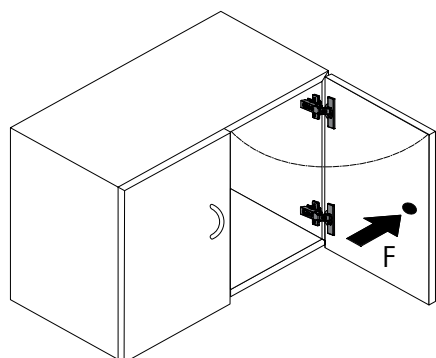
Closing test

The door is opened by 30° and pushed closed from this position by means of a pulley and falling weight.



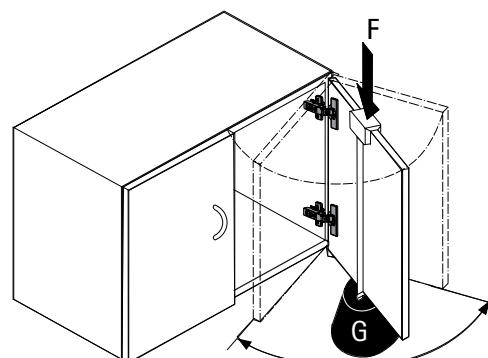
Horizontal test

The door is over opened with a defined test force F. (This test only applies to hinges with an opening angle < 135°.)



Vertical test

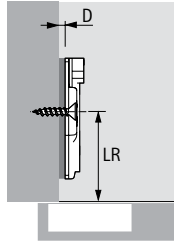
The door is subjected to a specific number of opening and closing cycles under a defined additional load G.



Fast assembly concealed hinge

- ▶ System 8099 mounting plates - with oblong hole height adjustment
- ▶ For Sensys and Intermat

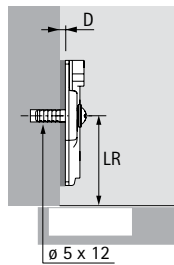
Cross mounting plate for screwing on



- ▶ For 4.5 mm ϕ x 16 mm countersunk screws
- ▶ Quality classification under EN 15570, Level 3
- ▶ Hole spacing 32 mm
- ▶ Oblong hole height adjustment \pm 3 mm
- ▶ Steel, nickel plated

Hole line distance LR mm	Order no. / Distance D mm				PU
	0,0	1,5	3,0	5,0	
37	9 071 575	9 071 576	9 071 577	9 071 578	200 ea.

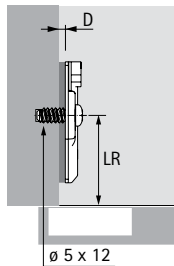
Cross mounting plate with expanding sockets and special screws



- ▶ For ϕ 5 x 12 mm holes
- ▶ Quality classification under EN 15570, Level 3
- ▶ Hole spacing 32 mm
- ▶ Oblong hole height adjustment \pm 2 mm
- ▶ Steel, nickel plated

Hole line distance LR mm	Order no. / Distance D mm				PU
	0,0	1,5	3,0	5,0	
37	9 071 595	9 071 596	9 071 597	9 071 598	200 ea.

Cross mounting plate with premounted Euro screws



- ▶ For ϕ 5 x 12 mm holes
- ▶ Quality classification under EN 15570, Level 3
- ▶ Hole spacing 32 mm
- ▶ Oblong hole height adjustment \pm 3 mm
- ▶ Steel, nickel plated

Hole line distance LR mm	Order no. / Distance D mm				PU
	0,0	1,5	3,0	5,0	
37	9 071 625	9 071 626	9 071 627	9 071 628	200 ea.

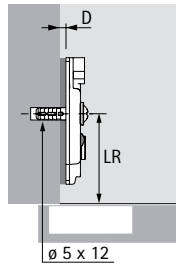


Item stocked in New Zealand

Fast assembly concealed hinge

- ▶ System 8099 mounting plates with eccentric cam height adjustment
- ▶ For Sensys and Intermat

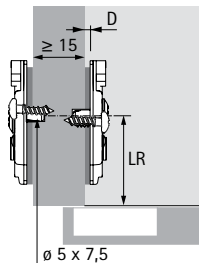
Cross mounting plate with expanding sockets and special screws



- ▶ For $\varnothing 5 \times 12$ mm holes
- ▶ Quality classification under EN 15570, Level 3
- ▶ Hole spacing 32 mm
- ▶ Eccentric cam height adjustment ± 2 mm
- ▶ Steel, nickel plated

Hole line distance LR mm	Order no. / Distance D mm				PU
	0,0	1,5	3,0	5,0	
37	9 071 655 ✓	9 071 656 ✓	9 071 657 ✓	9 071 658 ✓	200 ea.

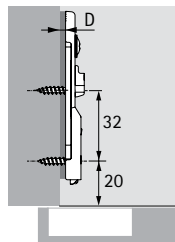
Patented "Hettich Direkt" cross mounting plate with locating pin and special screws



- ▶ For $\varnothing 5 \times 7.5$ mm holes
- ▶ Quality classification under EN 15570, Level 2
- ▶ Hole spacing 32 mm
- ▶ Half overlay door, from 15 mm side panel thickness
- ▶ Eccentric cam height adjustment ± 2 mm
- ▶ Steel, nickel plated

Hole line distance LR mm	Order no. / Distance D mm				PU
	0,0	1,5	3,0	5,0	
37	9 071 650 ✓	9 071 651 ✓	9 071 652 ✓	9 071 653 ✓	200 ea.

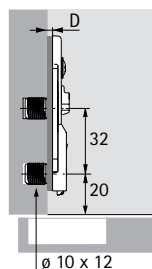
Linear mounting plate for screwing on



- ▶ For 3.5 mm $\varnothing \times 16$ mm countersunk screws
- ▶ Quality classification under EN 15570, Level 3
- ▶ Eccentric cam height adjustment ± 2 mm
- ▶ Steel, nickel plated

Hole line distance LR mm	Order no. / Distance D mm			PU
	1,5	3,0	5,0	
20	9 075 095 ✓	9 075 096	9 075 097	50 ea.

Linear mounting plate for pressing in

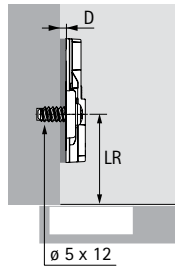


- ▶ For $\varnothing 10 \times 12$ mm drillings
- ▶ Quality classification under EN 15570, Level 3
- ▶ Eccentric cam height adjustment ± 2 mm
- ▶ Steel, nickel plated

Hole line distance LR mm	Order no. / Distance D mm			PU
	1,5	3,0	5,0	
20	9 075 098 ✓	9 075 099	9 075 100	50 ea.

- ▶ Accessories
- ▶ For Sensys

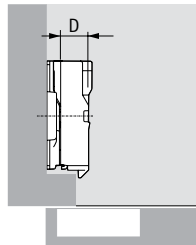
Adapter plate with premounted Euro screws



- ▶ Quality classification under EN 15570, Level 3
- ▶ For connection to Parallel adapter
- ▶ To use for Hole line 28 or 37 mm
- ▶ Hole spacing 32 mm
- ▶ Oblong hole height adjustment ± 3 mm
- ▶ Zinc die-cast, nickel plated

Hole line distance LR mm	Order no. / Distance D mm			PU
	0	1.5	3.0	
37	9 106 986	9 106 987	9 106 988	50 ea.

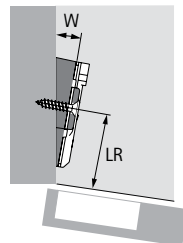
Parallel adapter for cross mounting plates



- ▶ For increasing the mounting plate distance by max. 8 mm
- ▶ Including fixing screw
- ▶ A trial mounting is recommended
- ▶ Zinc die-cast, nickel plated

Distance D mm	Order no.	PU
8,0	9 072 537	50 ea.

Angle adapter for cross mounting plates



- ▶ For realizing face angle applications
- ▶ 5° angle adapter can be stacked on the other angle adapters
- ▶ A trial mounting is recommended
- ▶ Zinc die-cast, nickel plated

Hole line distance LR mm	Angle W°	Order no.	PU
37	5	9 072 533	50 ea.
37	10	9 072 534	50 ea.
37	15	9 072 535	50 ea.
37	20	9 072 536	50 ea.

Can only be used with LR37 cross mounting plates for screwing on;
Screw length is determined by specific configuration



Item stocked in New Zealand

- ▶ Accessories
- ▶ For Sensys

Cover cap for Sensys hinge arm



- ▶ Can be used with Sensys hinges apart from 8657i / 8657 / 8687
- ▶ Cover caps with customised embossed or printed logo on request
- ▶ Steel, nickel plated

Type	Order no.	PU
Neutral	9 088 249 ✓	50 ea.
Embossed with Hettich logo	9 088 250 ✓	50 ea.

Cover cap for Sensys zero protrusion hinge



- ▶ Can be used with Sensys hinges 8657i, 8657, 8687
- ▶ Cover caps with customised print available on request
- ▶ Plastic, anthracite

Type	Order no.	PU
Neutral	9 099 870 ✓	50 ea.
Printed with Hettich logo	9 099 871 ✓	50 ea.

Cover cap for Sensys hinge cup



- ▶ Can be used for hinges with cup in Sensys design
- ▶ Can be used for all attachment options apart from Fix and premounted wood screw
- ▶ Steel, nickel plated

Type	Dimension X mm	Order no.	PU
For TH	68,2	9 088 251 ✓	50 ea.



Item stocked in New Zealand

Fast assembly concealed hinge

- ▶ Accessories
- ▶ For Sensys

Soft opening for Sensys zero protrusion hinge



- ▶ Can be used with Sensys hinge 8657i
- ▶ Cannot be combined with opening angle limiter for 8657i
- ▶ Plastic, anthracite

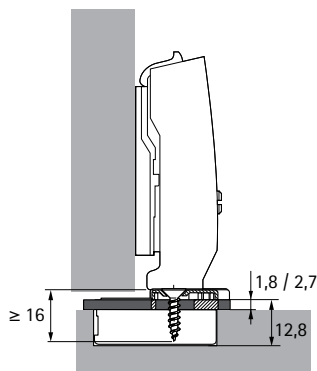
Door mounting option	Order no.	PU
Full overlay	9 100 037 ✓	50 ea.
Half overlay	9 100 116 ✓	50 ea.

Adapter for reducing drilling depth



- ▶ To reduce the required depth of the cup drilling in thin or highly softened doors
- ▶ Can be used with hinge cup for screwing on
- ▶ The gap between carcass and door increases by the thickness of the adapter
- ▶ Attachment by $\varnothing 4 \times 16$ mm countersunk screws
- ▶ Plastic, transparent

Type	Thickness mm	Order no.	PU
For TH 52 cup	1,8	9 073 595 ✓	50 ea.



Item stocked in New Zealand

Fast assembly concealed hinge

- ▶ Accessories
- ▶ For Sensys

Opening angle limiter for Sensys 8645i



- ▶ For reducing the opening angle of doors with adjoining elements
 - ▶ Avoids damage to the front panel
 - ▶ Also suitable for hinges without Silent System, without self closing feature
 - ▶ Plastic, white
- ▶ For installation notes, see Technical information

Type	Order no.	PU
Limitation from 110° to 85°	9 072 540 ✓	50 ea.

Opening angle limiter for Sensys 8639i W



- ▶ For reducing the opening angle of doors with adjoining elements
 - ▶ Avoids damage to the front panel
 - ▶ Also suitable for hinges without Silent System, without self closing feature
 - ▶ Plastic, black
- ▶ For installation notes, see Technical information

Type	Order no.	PU
Limitation from 95° to 85°	9 072 541 ✓	50 ea.

Opening angle limiter for Sensys 8638i



- ▶ For reducing the opening angle of doors with adjoining elements
 - ▶ Avoids damage to the front panel
 - ▶ Also suitable for hinges without Silent System, without self closing feature
 - ▶ Plastic, black
- ▶ For installation notes, see Technical information

Type	Order no.	PU
Limitation from 95° to 85°	9 072 542 ✓	50 ea.

Opening angle limiter for Sensys 8657i



- ▶ For reducing the opening angle of doors with adjoining elements
 - ▶ Avoids damage to the front panel
 - ▶ Also suitable for hinges without Silent System, without self closing feature
 - ▶ Plastic, anthracite
- ▶ For installation notes, see Technical information

Type	Order no.	PU
Limitation from 165° to 105° or 120°	9 090 756 ✓	50 ea.



Item stocked in New Zealand

Fast assembly concealed hinge

- ▶ Accessories
- ▶ For Sensys

Opening angle limiter for Sensys 8657i



- ▶ For reducing the opening angle of doors with adjoining elements
- ▶ Avoids damage to the front panel
- ▶ Also suitable for hinges without Silent System, without self closing feature
- ▶ Plastic, anthracite
- ▶ For installation notes, see Technical information

Type	Order no.	PU
Limitation from 165° to 90° or 135°	9 090 864 ✓	50 ea.

Opening angle limiter for Sensys 8631i



- ▶ For reducing the opening angle of doors with adjoining elements
- ▶ Avoids damage to the front panel
- ▶ Also suitable for hinges without Silent System, without self closing feature
- ▶ Steel
- ▶ For installation notes, see Technical information

Type	Order no.	PU
Limitation from 95° to 85°	9 103 006 ✓	50 ea.

Aid for installing opening angle limiter



- ▶ Can be used with the following opening angle limiters
 - Order no. 9 072 540 for Sensys 8645i / 8645 / 8675
 - Order no. 9 072 541 for Sensys 8639i W / 8639 W / 8669 W

Order no.	PU
9 081 657 ✓	100 ea.

Accura for adapter for glue mounting Sensys



- ▶ Gluing jig for positioning the adapter for glue mounting Sensys
- ▶ For glass doors
- ▶ Glass thickness 3-7 mm
- ▶ For use with UV hardening adhesive
- ▶ Material: aluminium, anodized, plastic
- ▶ To use the gluing jig, you need an Accura rail with measurement scale, e.g. order no. 0 070 263, as well as an adjustable stop for individually knocked down carcass sides, order no. 0 070 266, please order separately
- ▶ Accessories for gluing jig must be ordered separately
- ▶ Adapter for glue mounting must be ordered separately

Set comprises:
▶ 2 gluing jigs

Page reference:
▶ For adapter for glue mounting for Sensys, see page 50 - 51

Order no.	PU
9 188 862	1 set



Item stocked in New Zealand

Fast assembly concealed hinge

- ▶ Accessories
- ▶ For Intermat

Cover cap for Intermat hinge arm



- ▶ Can be used with Intermat hinges
- ▶ Cover caps with customised embossed or printed logo on request
- ▶ Steel, nickel plated

Type	Order no.	PU
Neutral	9 101 552 ✓	50 ea.
Embossed with Hettich logo	9 102 082 ✓	50 ea.

Opening angle limiter for Intermat 9943



- ▶ For reducing door opening angle to avoid collisions with adjoining elements
- ▶ Avoids damage to the front panel
- ▶ Also suitable for hinges without self closing feature
- ▶ Plastic, colourless
- ▶ For installation notes, see Technical information

Order no.	PU
9 088 253 ✓	50 ea.

Opening angle limiter for Intermat 9936 / 9936 W



- ▶ For reducing door opening angle to avoid collisions with adjoining elements
- ▶ Avoids damage to the front panel
- ▶ Also suitable for hinges without self closing feature
- ▶ Steel
- ▶ For installation notes, see Technical information

Order no.	PU
9 088 254 ✓	50 ea.



Item stocked in New Zealand

Fast assembly concealed hinge

- ▶ Accessories
- ▶ For Intermat

Screw and sleeve



- ▶ Press in sleeve and screw
- ▶ Used for example, to replace hinges with cup assembly for pressing in
- ▶ \varnothing 10 x 11 mm
- ▶ Colourless plastic / steel, nickel plated

Order no.	PU
0 045 169 ✓	200 set

Fixing screw for aluminium framed door hinge



- ▶ Countersunk head
- ▶ Pozidrive screw
- ▶ \varnothing 3.5 x 16 mm
- ▶ Steel, nickel plated

Order no.	PU
0 041 296	200 ea.

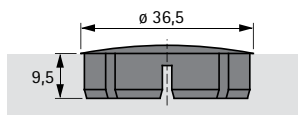
Fixing screw for glass door hinges



- ▶ For glass 5.5 - 6.5 mm thick
- ▶ Steel, nickel plated

Order no.	PU
9 082 429 ✓	200 ea.

Cover cap \varnothing 35 mm



- ▶ For drilling \varnothing 35 mm x 9.5 mm
- ▶ Plastic

Colour	Order no.	PU
White	0 025 204 ✓	100 ea.

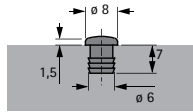


Item stocked in New Zealand

Fast assembly concealed hinge

- ▶ Accessories
- ▶ For Intermat

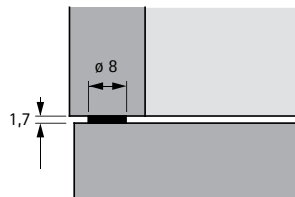
Door damper for pressing in



- ▶ For drilling \varnothing 6 mm x 7 mm
- ▶ Plastic

Colour	Order no.	PU
White	0 025 048 ✓	1000 ea.

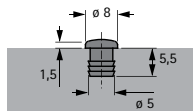
Door damper for sticking on



- ▶ \varnothing 8 mm, Self adhesive
- ▶ 75 buffers per sheet
- ▶ Plastic, transparent

Order no.	PU
0 048 952 ✓	75 ea.

Door damper for pressing in



- ▶ For drilling \varnothing 5 mm x 5.5 mm
- ▶ Plastic, transparent

Order no.	PU
9 079 298 ✓	1000 ea.

Fixing screw for hinge cup for screwing on



- ▶ Countersunk head
- ▶ Pozidrive screw
- ▶ \varnothing 3.5 x 16 mm
- ▶ Steel, nickel plated

Order no.	PU
1 004 895 ✓	1000 ea.

Shallow countersunk head



- ▶ Shallow countersunk head
- ▶ Pozidrive screw
- ▶ Steel, galvanised

Dimensions mm	Order no.	PU
\varnothing 6.3 x 11	0 047 451 ✓	200 ea.

Deep countersunk head



- ▶ Deep countersunk head
- ▶ Pozidrive screw
- ▶ Steel, galvanised

Dimensions mm	Order no.	PU
\varnothing 6.3 x 14	0 047 452 ✓	200 ea.



Item stocked in New Zealand

Optional Silent System

► For concealed hinges



A measurable benefit for every furniture user
Closing furniture doors produce irritating noise in the home environment. Intermat with Silent System controls the movement of furniture doors, leaving them to close quietly and gently. Peace and quiet are immediately restored, enhancing living comfort in any home situation.



Greater customer benefits
Silent System action can be optimised to suit the size and weight of the doors at a setting wheel.



Elegance for the hinge cup
This particularly attractive Silent System can be used for standard door mounting styles.



Convenient, for clipping on
Silent System simply clips onto the hinge arm, thus enabling tool-less assembly.



Screwed on in seconds flat
This option is mainly used in conjunction with hinges for unusual face angles.

Optional Silent System

- ▶ Intermat fast assembly concealed hinge
- ▶ For Intermat

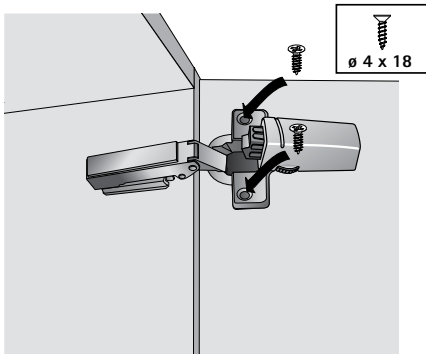
Silent System damper for hinge cup



- ▶ for screwing onto the hinge cup
- ▶ Cushioning effect infinitely adjustable at setting wheel
- ▶ Use two Silent System elements for doors weighing over 13.5 kg
- ▶ Upgradeable
- ▶ Zinc die-cast, nickel plated

For hinge	Cup version	Door mounting option	Order no.	PU
Intermat 9943	TH 42, TH 43, TH 48	Full overlay	0 060 581 ✓	50 ea.

Installation



Item stocked in New Zealand

Optional Silent System

- ▶ Intermat fast assembly concealed hinge
- ▶ For Intermat

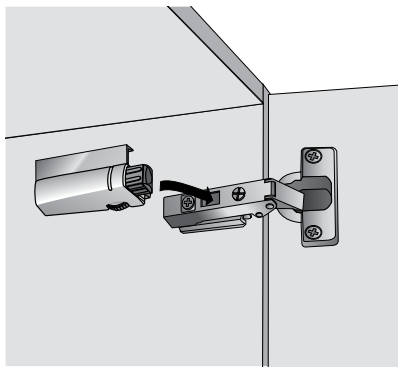
Clip on Silent System



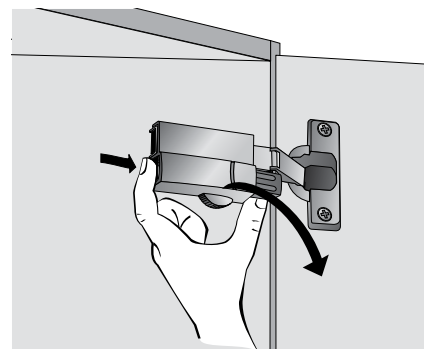
- ▶ For clipping onto the hinge arm
- ▶ Cushioning effect infinitely adjustable at setting wheel
- ▶ Tool-less assembly / removal
- ▶ Use two Silent System elements for doors weighing over 13.5 kg
- ▶ Easy upgradeable
- ▶ Zinc die-cast, nickel plated

For hinge	Door mounting option	Verwendung mit	Order no.	PU
Intermat 9943 / 9936	Full overlay	All mounting plate distances	0 060 576 ✓	50 ea.

Installation



Removal



Item stocked in New Zealand

Optional Silent System

- ▶ Intermat fast assembly concealed hinge
- ▶ For Intermat

Screw on Silent System

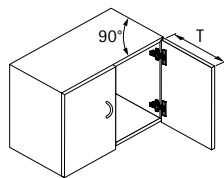


- ▶ for screwing onto top or bottom carcass panel
- ▶ Cushioning effect infinitely adjustable via setting screw
- ▶ Installation on hinge side
- ▶ Use two Silent System elements for doors weighing over 13.5 kg
- ▶ Upgradeable
- ▶ Zinc die-cast, nickel plated

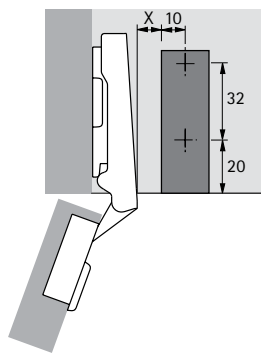
Door mounting option	Order no.	PU
Full overlay, half overlay	0 060 579 ✓	50 ea.
Inset	0 060 580 ✓	50 ea.

Assembly drawing

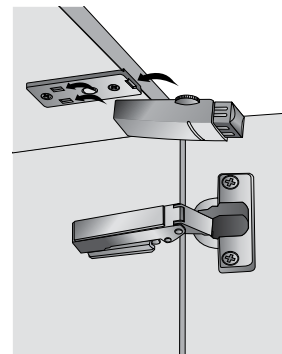
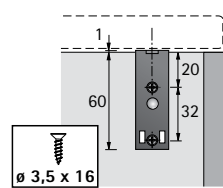
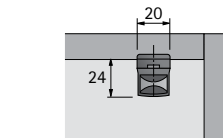
Intermat 9943
Intermat 9936
Intermat 9944



T	X
< 300	1
< 450	9
< 600	15

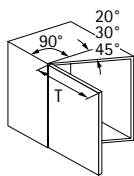


Installation

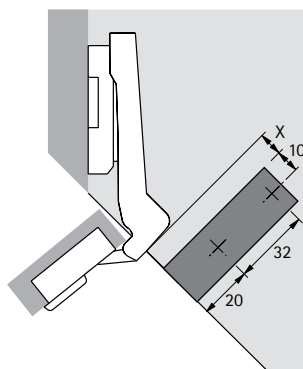


Assembly drawing

Intermat 9936 W20
Intermat 9936 W30
Intermat 9936 W45

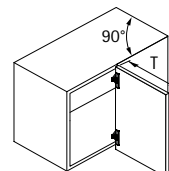


T	X
< 300	1
< 450	9
< 600	15

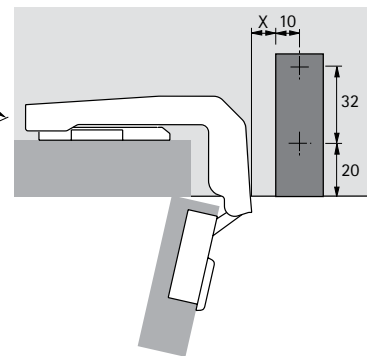


Assembly drawing

Intermat 9936 W90



T	X
< 300	1
< 450	9
< 600	15



Item stocked in New Zealand

Push to open opening system for handleless furniture fronts

► Push to open for hinges



Simple, handleless, good:
Push to open for hinges
A gentle press on the door is all it takes for the Push to open piston to move the door into a position that easily lets you get your fingers behind to open it. Depending on use, the door remains in piston end position or swings open widely. The door is closed by pressing on it again.



Take advantage of market potentials:
Simply make furniture stand apart with handleless design - with Push to open from Hettich



Costs under control:
You can also use Push to open with standard hinges and Push to open Pin while leaving production processes unchanged



Maximum customer satisfaction:
Reliable operation, unauthorised unlocking ruled out. Any installation tolerances can be corrected by the large adjustment range.



Future proof and versatile:
Meet tomorrow's demands the easy way. Whichever way furniture trends go, our comprehensive product range has the answer.

► Summary



Push to open for hinges

- Range summary / technical comparison 120 - 121
- Application areas / recommended applications 122 - 123



Push to open Pin

- for screwing on 124
- For drilling in 125



Push to open Pin Strong

- for screwing on 126
- For drilling in 127



Push to open Magnet

- for screwing on 128
- For drilling in 129



Accessories

- Push to open Lock for screwing on / for drilling in 130 - 131
- Design adapter for Push to open, drill in versions 132
- Counterplates for Push to open Magnet 133



Assembly aids

- For Push to open, drill in versions 134






Technical information

- Installation 135 - 137





Push to open opening system for handleless furniture fronts

- ▶ Push to open for hinges
- ▶ Range summary / technical comparison

	Push to open Pin 	Push to open Pin 	Push to open Pin Strong 
Page	124	125	126
Application	<ul style="list-style-type: none"> ▶ Concealed hinges 	<ul style="list-style-type: none"> ▶ Concealed hinges 	<ul style="list-style-type: none"> ▶ Concealed hinges ▶ For use in combination with particularly tall and / or heavy doors
Door mounting option	<ul style="list-style-type: none"> ▶ Full overlay ▶ Half overlay ▶ Inset 	<ul style="list-style-type: none"> ▶ Full overlay 	<ul style="list-style-type: none"> ▶ Full overlay ▶ Half overlay ▶ Inset
Installation	<ul style="list-style-type: none"> ▶ For screwing on 	<ul style="list-style-type: none"> ▶ For drilling in 	<ul style="list-style-type: none"> ▶ For screwing on
Material / colour	Plastic <ul style="list-style-type: none"> ▶ Anthracite ▶ Light grey ▶ White 	Plastic <ul style="list-style-type: none"> ▶ Anthracite ▶ Light grey ▶ White 	Plastic <ul style="list-style-type: none"> ▶ Anthracite ▶ Light grey ▶ White

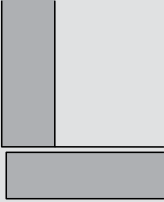
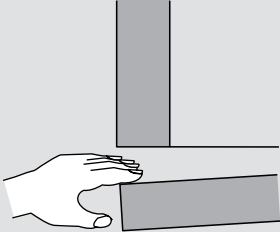
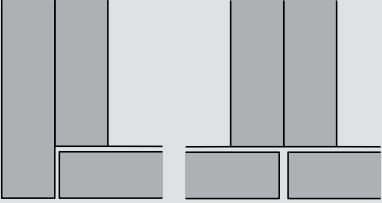
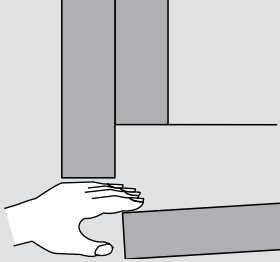
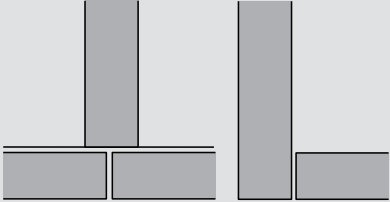
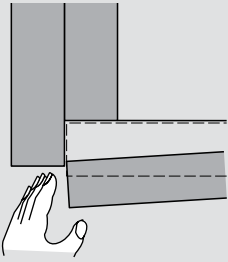
Push to open opening system for handleless furniture fronts

- ▶ Push to open for hinges
- ▶ Range summary / technical comparison

Push to open Pin Strong	Push to open Magnet	Push to open Magnet	Designer adapter
			
127	128	129	132
<ul style="list-style-type: none"> ▶ Concealed hinges ▶ For use in combination with particularly tall and / or heavy doors 	<ul style="list-style-type: none"> ▶ Hinges without self closing feature 	<ul style="list-style-type: none"> ▶ Hinges without self closing feature 	<ul style="list-style-type: none"> ▶ Concealed hinges ▶ Hinges without self closing feature
<ul style="list-style-type: none"> ▶ Full overlay 	<ul style="list-style-type: none"> ▶ Full overlay ▶ Half overlay ▶ Inset 	<ul style="list-style-type: none"> ▶ Full overlay 	<ul style="list-style-type: none"> ▶ Full overlay ▶ Half overlay ▶ Inset (long stroke length)
<ul style="list-style-type: none"> ▶ For drilling in 	<ul style="list-style-type: none"> ▶ For screwing on 	<ul style="list-style-type: none"> ▶ For drilling in 	<ul style="list-style-type: none"> ▶ For screwing on
Plastic <ul style="list-style-type: none"> ▶ Anthracite ▶ Light grey ▶ White 	Plastic <ul style="list-style-type: none"> ▶ Anthracite ▶ Light grey ▶ White 	Plastic <ul style="list-style-type: none"> ▶ Anthracite ▶ Light grey ▶ White 	<ul style="list-style-type: none"> ▶ Zinc die-cast nickel plated

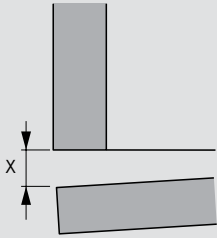

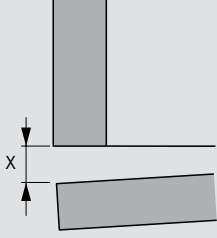

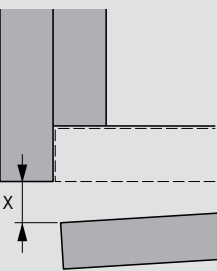
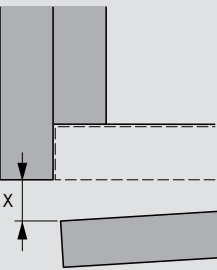
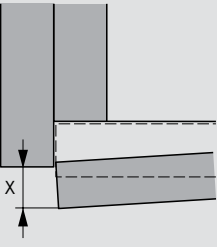
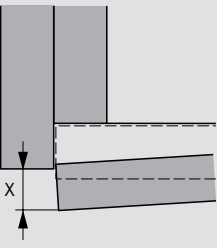
Push to open opening system for handleless furniture fronts

- ▶ Push to open for hinges
- ▶ Application areas / recommended applications

1 Design	2 Door use	3 Hinge function
<p>The door is freely accessible from the side. Full overlay (non adjacent components)</p> 	<p>Reaching behind the door</p> 	<p>With self closing feature</p> <hr/> <p>Without self closing feature</p>
<p>The door is not freely accessible from the side because it is adjacent to another component.</p> <p>Full overlay (e.g. adjacent panel, another cabinet)</p> 	<p>Reaching in behind the door</p> 	<p>With self closing feature</p> <hr/> <p>Without self closing feature</p>
<p>Half overlay Inset</p> 	<p>Reaching in at side of door</p> 	<p>With self closing feature</p> <hr/> <p>Without self closing feature</p>

Push to open opening system for handleless furniture fronts

- ▶ Push to open for hinges
- ▶ Application areas / recommended applications

4 Finger pull space / finger pull area X		5 Recommended products
	X = approx. 14 mm	Push to open Pin, short version
	X = approx. 37 mm	Push to open Pin, long version
	X = 14 mm min. The hinges used make the door open further.	Push to open Magnet, short version
	X = 37 mm min. The hinges used make the door open further.	Push to open Magnet, long version
	If the adjacent component projects in front of the door the finger pull space / finger pull area is reduced accordingly. Finger pull space X is defined by the stroke length of 37 mm less door thickness.	Push to open Pin, long version
	If the adjacent component projects in front of the door the finger pull space / finger pull area is reduced accordingly. Finger pull space X is defined by the stroke length of 37 mm less door thickness. The hinges used make the door open further.	Push to open Magnet, long version
	X = approx. 14 mm If the adjacent component projects in front of the door the finger pull space / finger pull area X is reduced accordingly.	Push to open Pin, short version
	X = 14 mm min. If the adjacent component projects in front of the door the finger pull space / finger pull area X is reduced accordingly. The hinges used make the door open further.	Push to open Magnet, short version

Push to open opening system for handleless furniture fronts

- ▶ Push to open Pin for screwing on
- ▶ For hinges with self closing feature



- ▶ For use with concealed hinges
- ▶ Suitable for full overlay, half overlay and inset doors
- ▶ Large adjustment range of 6 mm
- ▶ Activating gap 1.4 mm
- ▶ For using short / long versions, see „Application areas / recommended applications“, pages 122 - 123
- ▶ For installation, see installation notes, pages 135 - 137
- ▶ Plastic

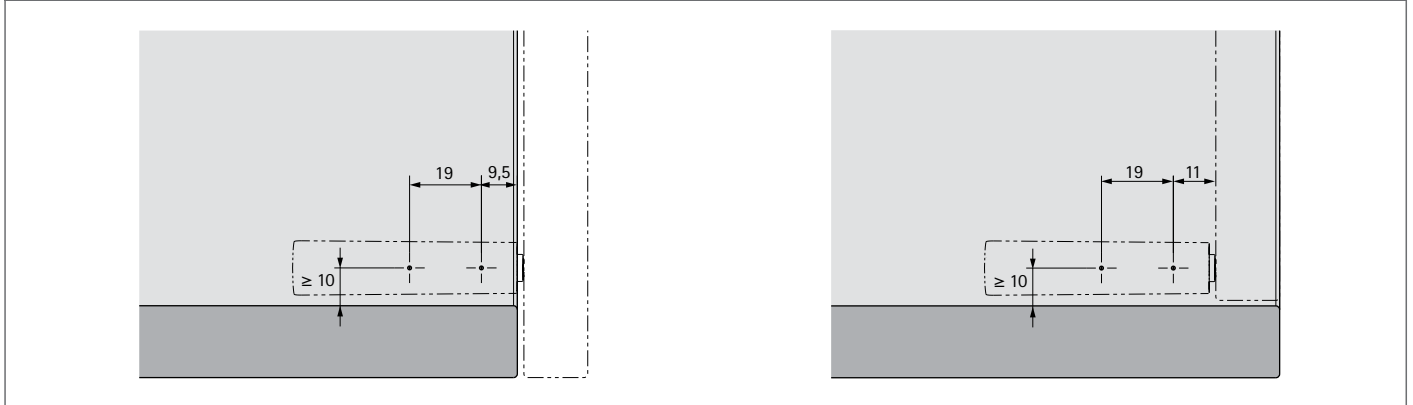
Push to open Pin



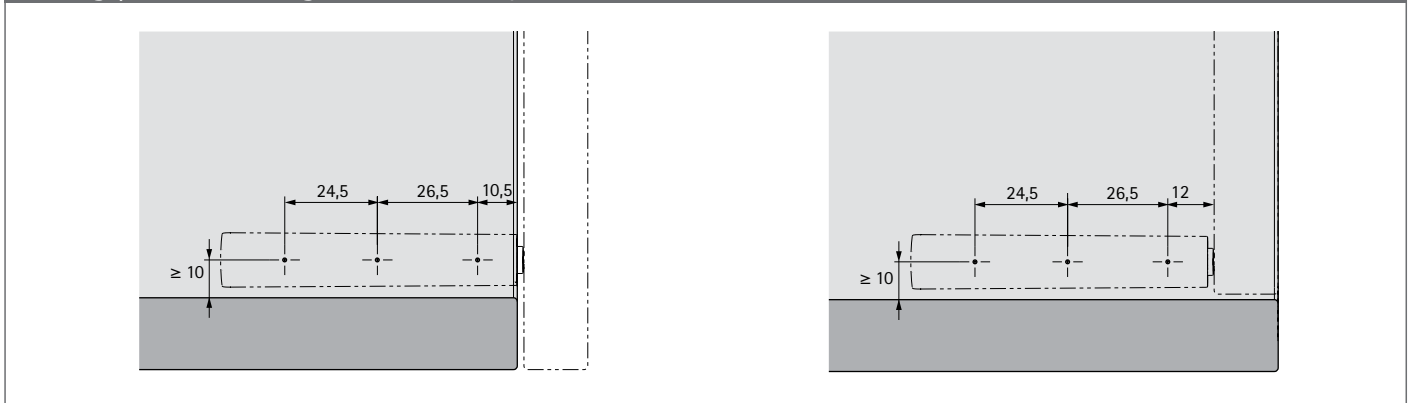
- Set comprises:
- ▶ 1 Push to open Pin
 - ▶ 1 adapter top part
 - ▶ 1 adapter base part

Article	Order no. / colour			PU
	Anthracite	Light grey	White	
Short version	9 089 625	9 089 600	9 089 586	25 set
Long version	9 089 626 ✓	9 089 601 ✓	9 089 587 ✓	25 set

Drilling pattern for short version, overlay door or inset door



Drilling pattern for long version, overlay door or inset door



Push to open opening system for handleless furniture fronts

- ▶ Push to open Pin for drilling in
- ▶ For hinges with self closing feature



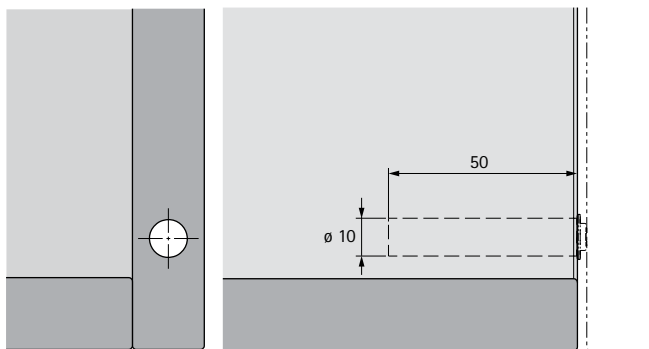
- ▶ For use with concealed hinges
- ▶ For full overlay doors
- ▶ Large adjustment range of 6 mm
- ▶ Activating gap 1.4 mm
- ▶ For using short / long versions, see „Application areas / recommended applications“, pages 122 - 123
- ▶ For installation, see installation notes, pages 135 - 137
- ▶ Plastic

Push to open Pin

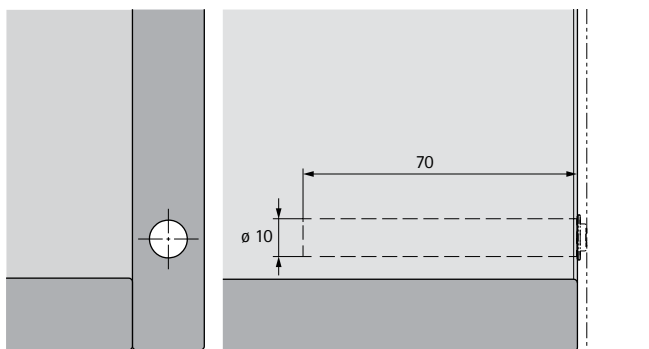


Article	Order no. / colour			PU
	Anthracite	Light grey	White	
Short version	9 089 627	9 089 602	9 089 588	25 ea.
Long version	9 089 628 ✓	9 089 603 ✓	9 089 589 ✓	25 ea.

Drilling pattern for short version, overlay door



Drilling pattern for long version, overlay door



Push to open opening system for handleless furniture fronts

- ▶ Push to open Pin Strong for screwing on
- ▶ For hinges with self closing feature



- ▶ For use with concealed hinges
- ▶ For use in combination with particularly tall and / or heavy doors for example
- ▶ Suitable for full overlay, half overlay and inset doors
- ▶ Large adjustment range of 6 mm
- ▶ Activating gap 1.4 mm
- ▶ For using short / long versions, see „Application areas / recommended applications“, pages 122 - 123
- ▶ For installation, see installation notes, pages 135 - 137
- ▶ Plastic

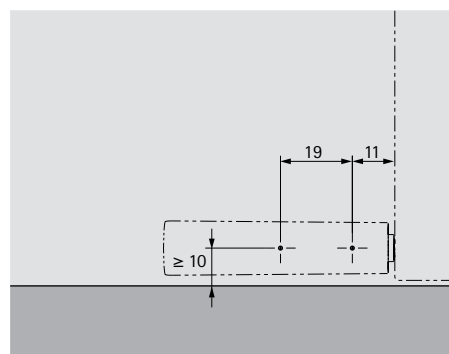
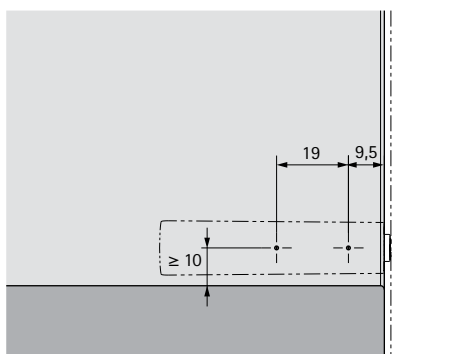
Push to open Pin Strong



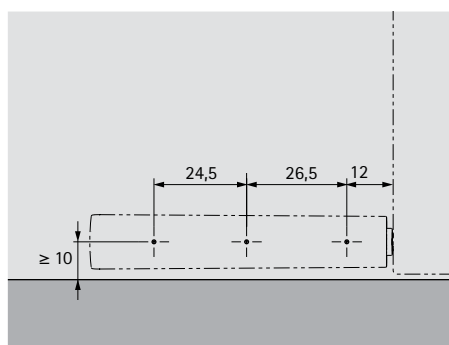
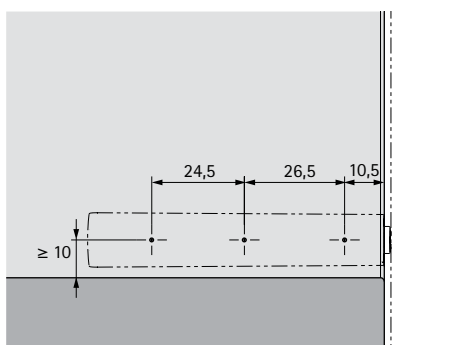
- Set comprises:
- ▶ 1 Push to open Pin Strong
 - ▶ 1 adapter top part
 - ▶ 1 adapter base part

Article	Order no. / colour			PU
	Anthracite	Light grey	White	
Short version	9 089 635	9 089 610	9 089 596	25 set
Long version	9 089 636 ✓	9 089 611 ✓	9 089 597 ✓	25 set

Drilling pattern for short version, overlay door or inset door



Drilling pattern for long version, overlay door or inset door



Push to open opening system for handleless furniture fronts

- ▶ Push to open Pin Strong for drilling in
- ▶ For hinges with self closing feature



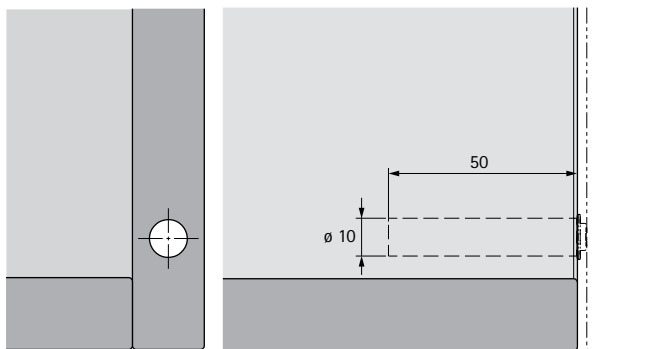
- ▶ For use with concealed hinges
- ▶ For use in combination with particularly tall and / or heavy doors for example
- ▶ Cartridge can be identified by the red end cap
- ▶ For full overlay doors
- ▶ Large adjustment range of 6 mm
- ▶ Activating gap 1.4 mm
- ▶ For using short / long versions, see „Application areas / recommended applications“, pages 122 - 123
- ▶ For installation, see installation notes, pages 135 - 137
- ▶ Plastic

Push to open Pin Strong

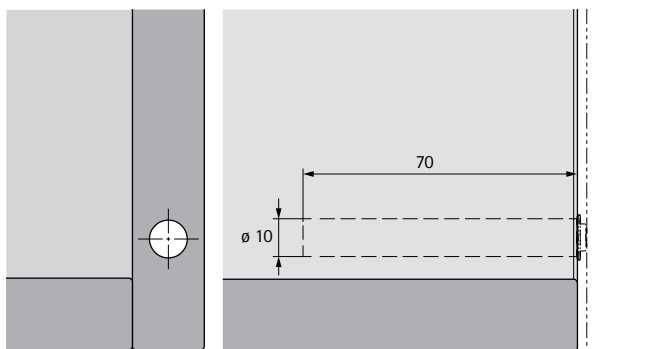


Article	Order no. / colour			PU
	Anthracite	Light grey	White	
Short version	9 089 637	9 089 612	9 089 598	25 ea.
Long version	9 089 638 ✓	9 089 613 ✓	9 089 599 ✓	25 ea.

Drilling pattern for short version, overlay door



Drilling pattern for long version, overlay door



Push to open opening system for handleless furniture fronts

- ▶ Push to open Magnet for screwing on
- ▶ For hinges without self closing feature



- ▶ For use with hinges without self closing feature
- ▶ Suitable for full overlay, half overlay and inset doors
- ▶ Large adjustment range of 6 mm
- ▶ Activating gap 1.4 mm
- ▶ For using short / long versions, see „Application areas / recommended applications“, pages 122 - 123
- ▶ For installation, see installation notes, pages 135 - 137
- ▶ Plastic

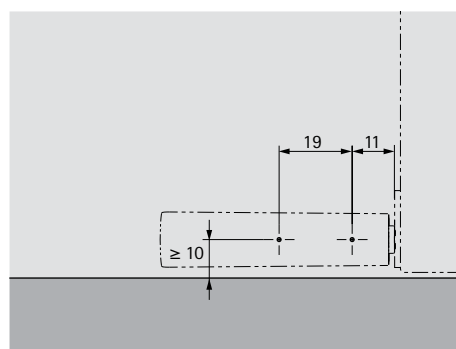
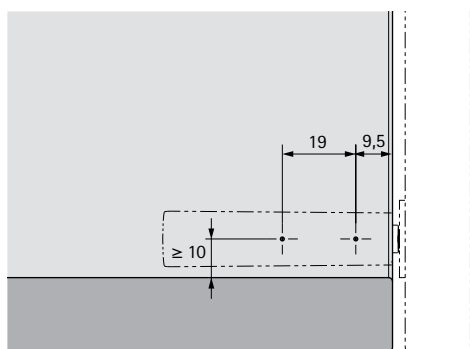
Push to open Magnet



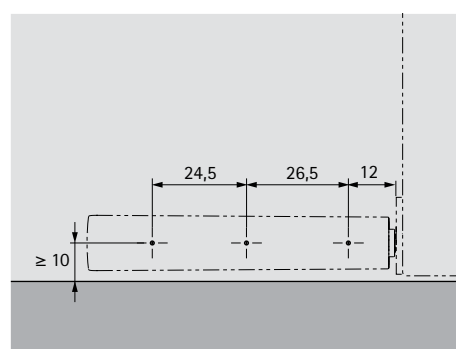
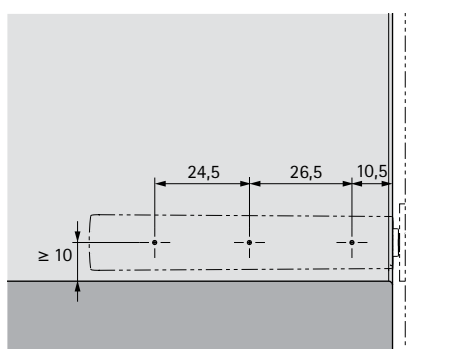
- Set comprises:
- ▶ 1 Push to open Magnet
 - ▶ 1 adapter top part
 - ▶ 1 adapter base part
 - ▶ 1 counterplate for gluing / screwing on

Article	Order no. / colour			PU
	Anthracite	Light grey	White	
Short version	9 089 629 ✓	9 089 604 ✓	9 089 590 ✓	25 set
Long version	9 089 630 ✓	9 089 605 ✓	9 089 591 ✓	25 set

Drilling pattern for short version, overlay door or inset door



Drilling pattern for long version, overlay door or inset door



Push to open opening system for handleless furniture fronts

- ▶ Push to open Magnet for drilling in
- ▶ For hinges without self closing feature



- ▶ For use with hinges without self closing feature
- ▶ For full overlay doors
- ▶ Large adjustment range of 6 mm
- ▶ Activating gap 1.4 mm
- ▶ For using short / long versions, see „Application areas / recommended applications“, pages 122 - 123
- ▶ For installation, see installation notes, pages 135 - 137
- ▶ Plastic

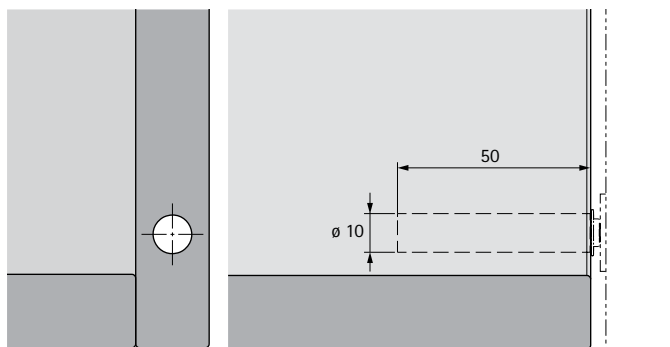
Push to open Magnet



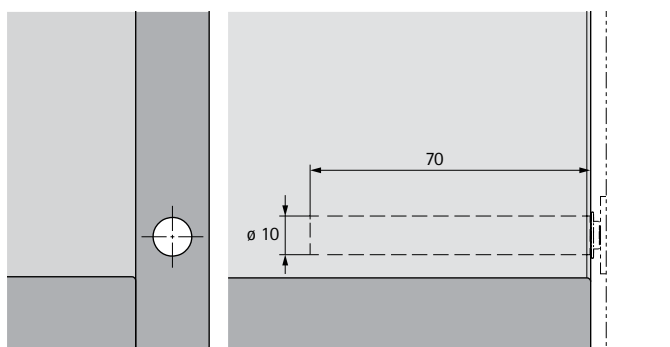
- Set comprises:
- ▶ 1 Push to open Magnet
 - ▶ 1 counterplate for gluing / screwing on

Article	Order no. / colour			PU
	Anthracite	Light grey	White	
Short version	9 089 631 ✓	9 089 606 ✓	9 089 592 ✓	25 set
Long version	9 089 632 ✓	9 089 607 ✓	9 089 593 ✓	25 set

Drilling pattern for short version, overlay door



Drilling pattern for long version, overlay door



Push to open opening system for handleless furniture fronts

- ▶ Accessories
- ▶ Push to open Lock for screwing on



- ▶ Optional magnetic stay closed function without Push function
- ▶ For use in combination with particularly tall and / or heavy doors and Push to open Magnet for example
- ▶ Suitable for full overlay, half overlay and inset doors
- ▶ Large adjustment range of 5 mm
- ▶ Plastic

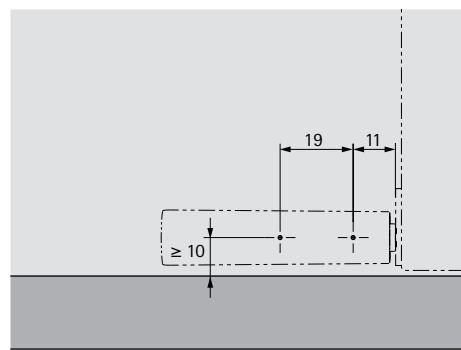
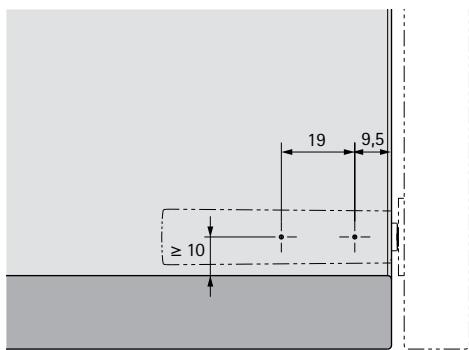
Push to open Lock



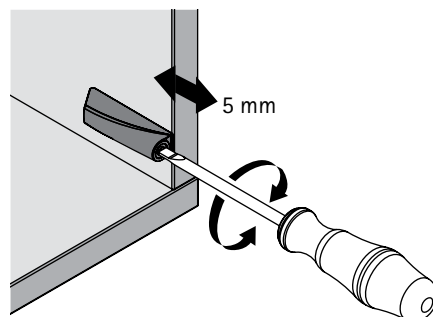
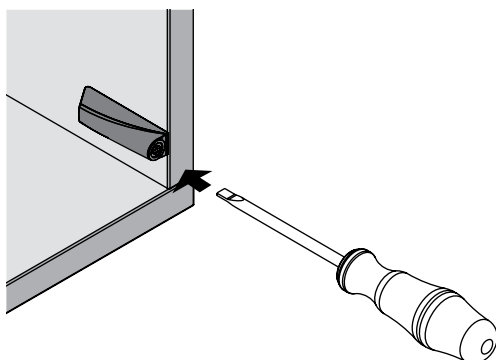
- Set comprises:
- ▶ 1 Push to open Lock
 - ▶ 1 adapter top part
 - ▶ 1 adapter base part
 - ▶ 1 counterplate for gluing / screwing on

Order no. / colour			PU
Anthracite	Light grey	White	
9 089 585 ✓	9 089 608 ✓	9 089 594 ✓	25 set

Drilling pattern for screw on version, overlay door or inset door



Adjusting Push to open Lock



Push to open opening system for handleless furniture fronts

- ▶ Accessories
- ▶ Push to open Lock for drilling in



- ▶ Optional magnetic stay closed function without Push function
- ▶ For use in combination with particularly tall and / or heavy doors and Push to open Magnet for example
- ▶ For full overlay doors
- ▶ Large adjustment range of 5 mm
- ▶ Plastic

Push to open Lock

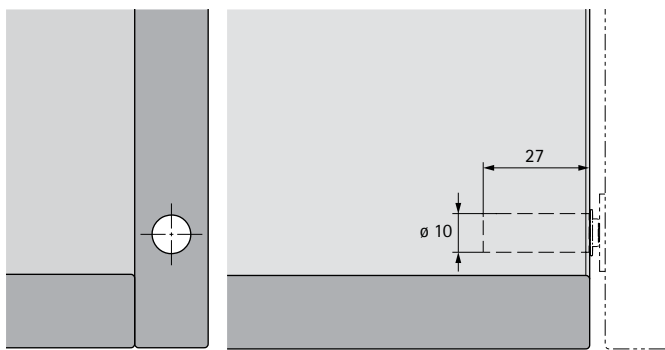


Set comprises:

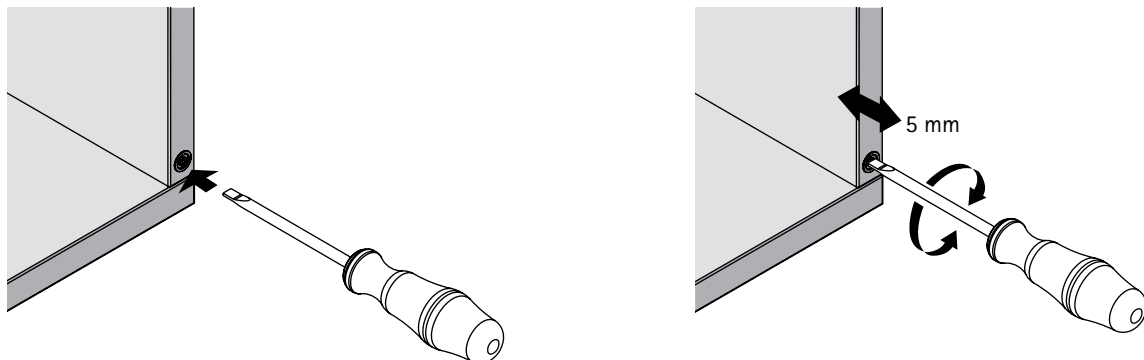
- ▶ 1 Push to open Lock
- ▶ 1 counterplate for gluing / screwing on

Order no. / colour			PU
Anthracite	Light grey	White	
9 089 634 ✓	9 089 609 ✓	9 089 595 ✓	25 set

Drilling pattern for Push to open Lock for drilling in



Adjusting Push to open Lock



Push to open opening system for handleless furniture fronts

► Accessories

► For Push to open Pin / Push to open Magnet, for drill in versions



- High quality design adapter for upgrading furniture range
- For combination with all Push to open drill in versions
- Push to open drill in version must be ordered separately
- Suitable for full overlay, half overlay and inset doors
- Attachment housing material: plastic, anthracite
- Housing material: zinc die-cast nickel plated

Design adapter

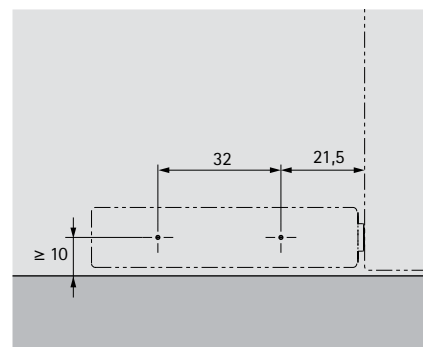
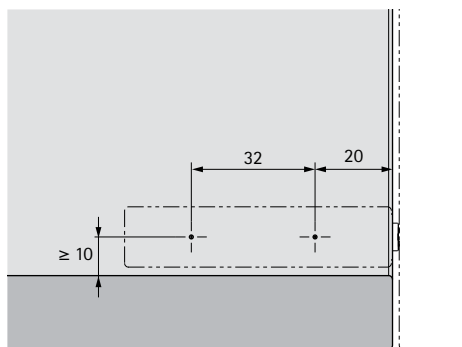


Set comprises:

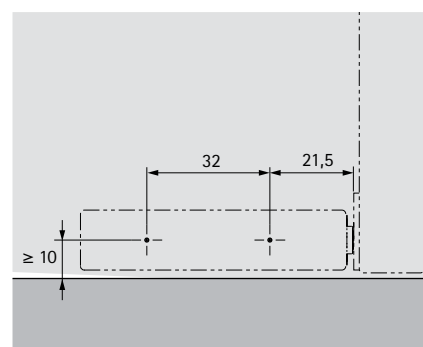
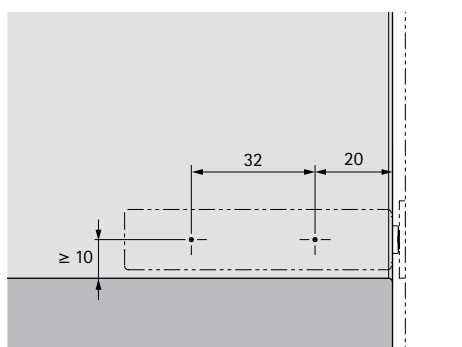
- 1 attachment housing
- 1 design adapter

Order no.	PU
9 089 633	25 set

Drilling pattern for the attachment housing for overlay or inset door with Push to open Pin



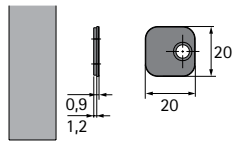
Drilling pattern for the attachment housing for overlay or inset door with Push to open Magnet



Push to open opening system for handleless furniture fronts

- ▶ Accessories
- ▶ For Push to open Magnet

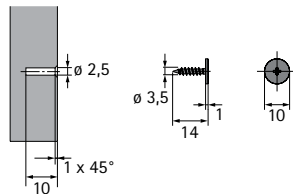
Counterplate for gluing and screwing on



- ▶ Self adhesive type
- ▶ Mounting hole for optional countersunk screw \varnothing 3 mm
- ▶ Counterplate is included with all "Push to open Magnet" and "Push to open Lock" articles
- ▶ Steel

Order no.	PU
9 090 869 ✓	100 ea.

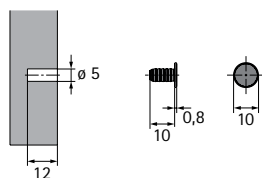
Counterplate for screwing on



- ▶ For drilling \varnothing 2.5 x 10 mm
- ▶ For use with PZ 1 screwdriver
- ▶ Steel, nickel plated

Order no.	PU
9 090 845 ✓	100 ea.

Counterplate for pressing in



- ▶ For \varnothing 5 x 12 mm drilling
- ▶ Steel, nickel plated

Order no.	PU
9 090 846 ✓	100 ea.



Item stocked in New Zealand

Push to open opening system for handleless furniture fronts

- ▶ Assembly aids
- ▶ Drilling jig for Push to open drill in versions

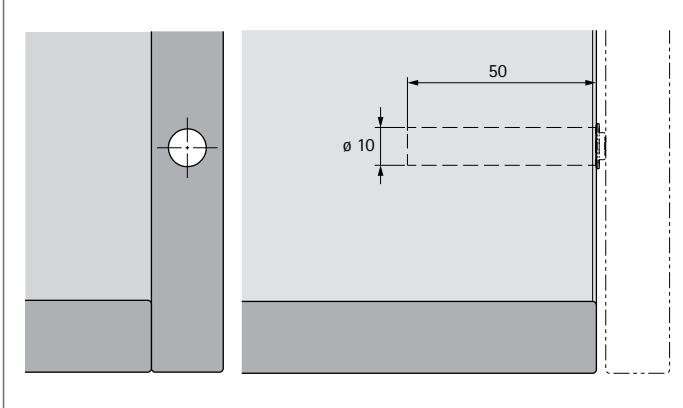
Drilling jig for Push to open



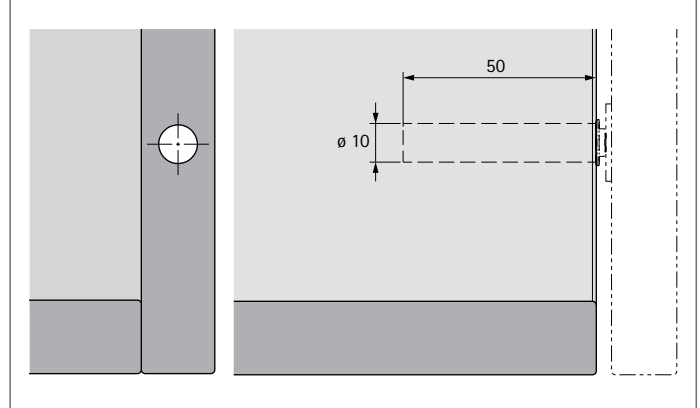
- ▶ For drilling the horizontal drill hole on the carcass for Push to open drill in version
- ▶ Suitable for all material thicknesses
- ▶ Drilling bush in hardened steel
- ▶ Plastic

Order no.	PU
9 207 524 ✓	1 ea.

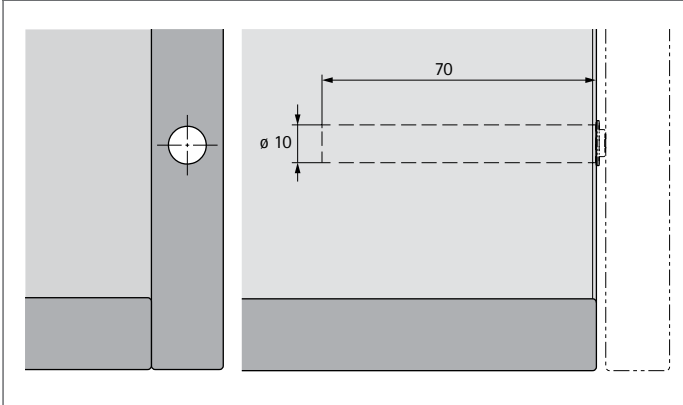
Drilling pattern for short version, Push to open Pin



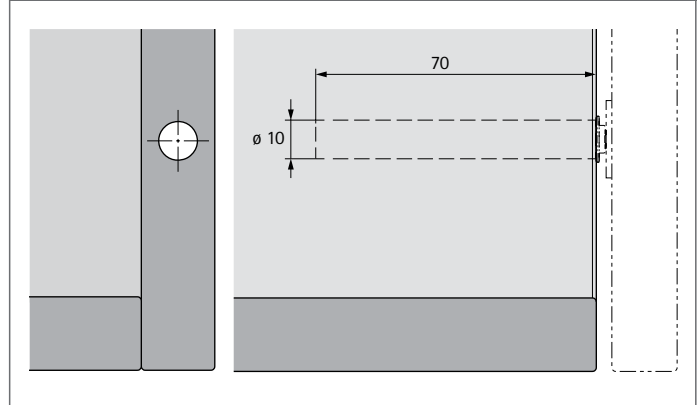
Drilling pattern for short version, Push to open Magnet



Drilling pattern for long version, Push to open Pin



Drilling pattern for long version, Push to open Magnet

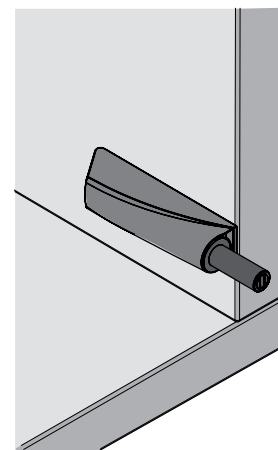
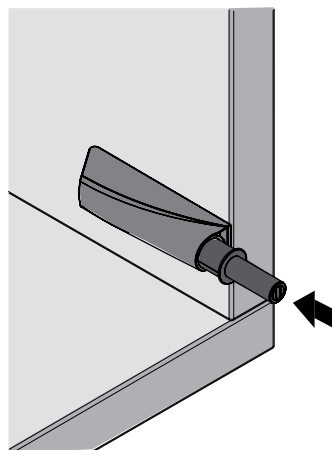
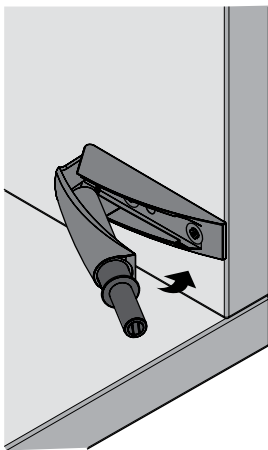
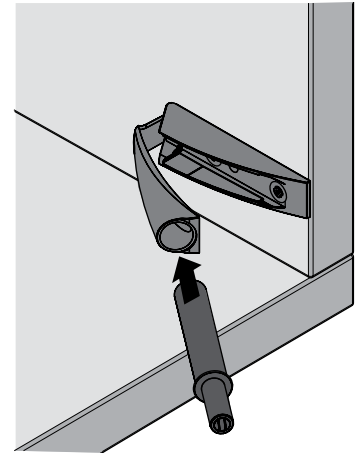
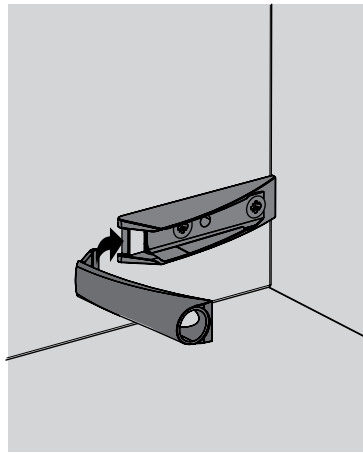
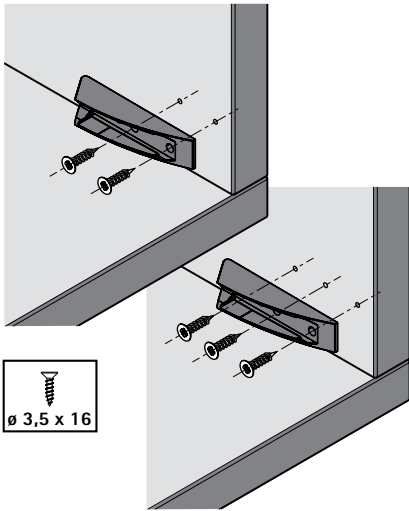


Item stocked in New Zealand

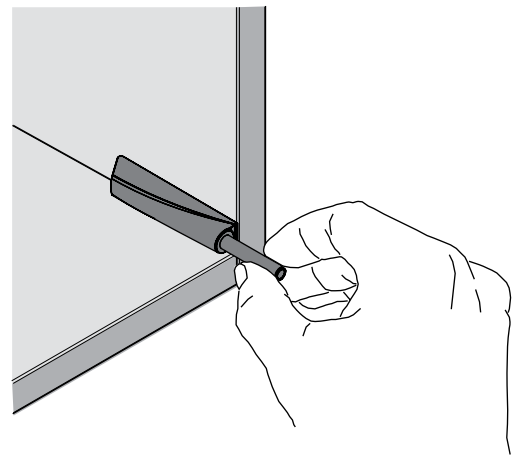
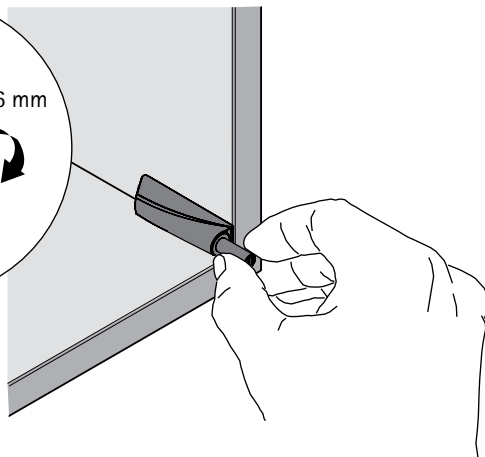
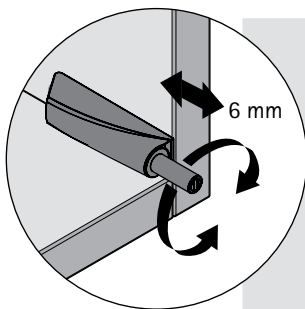
Push to open system for handleless furniture fronts

- ▶ Technical information
- ▶ Installation

Installing Push to open for screwing on



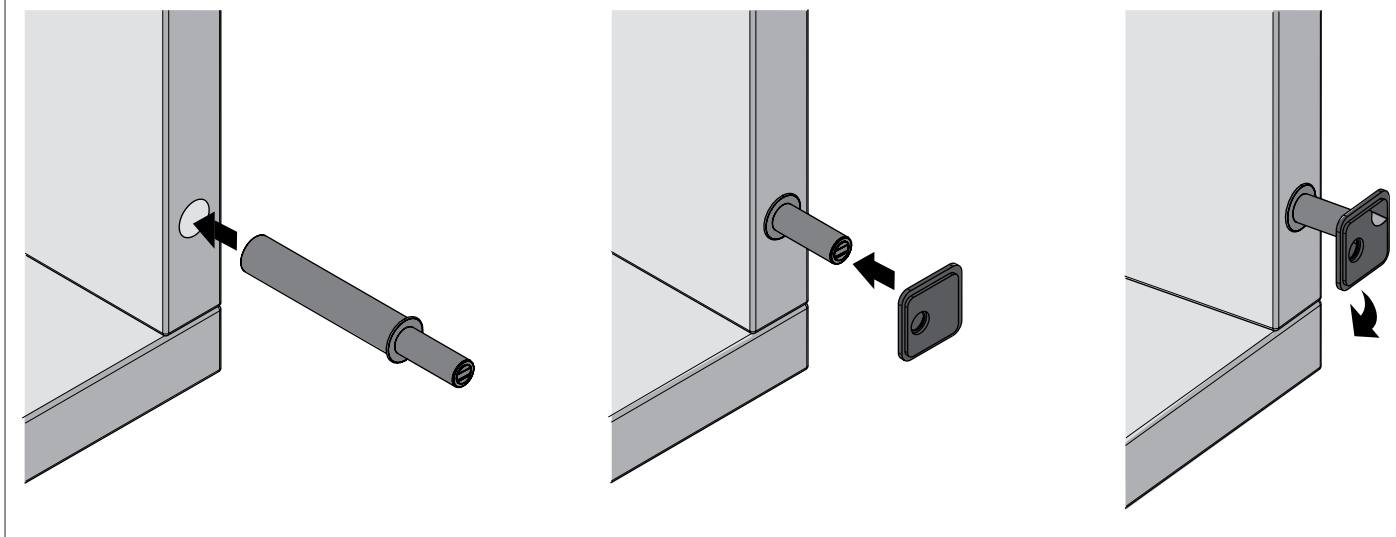
Adjusting Push to open for screwing on



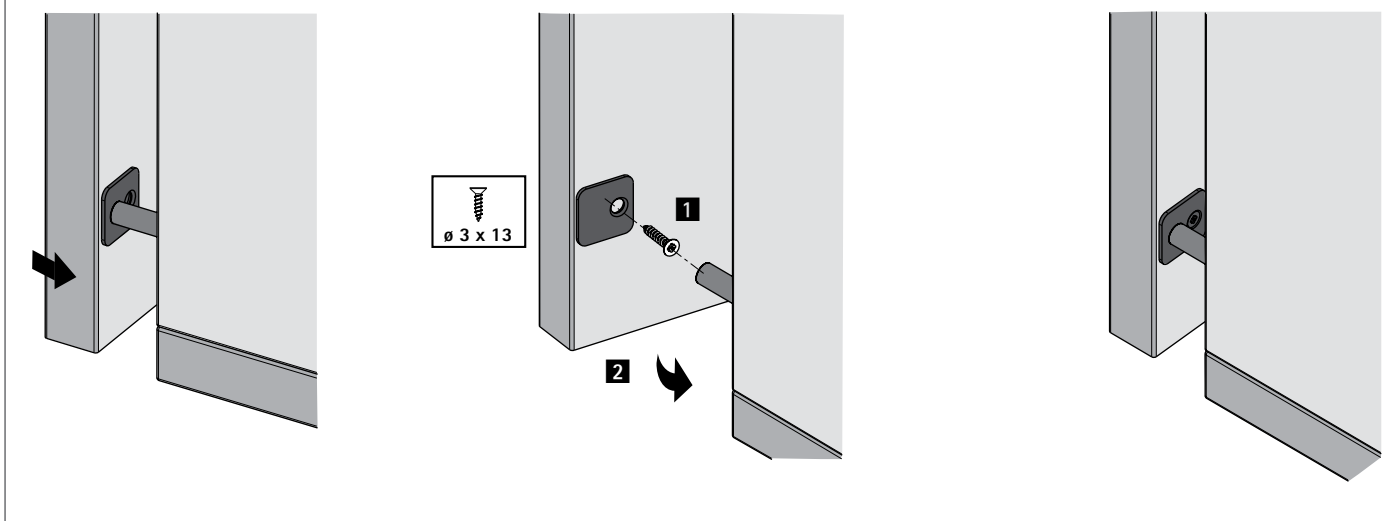
Push to open opening system for handleless furniture fronts

- ▶ Technical information
- ▶ Installation

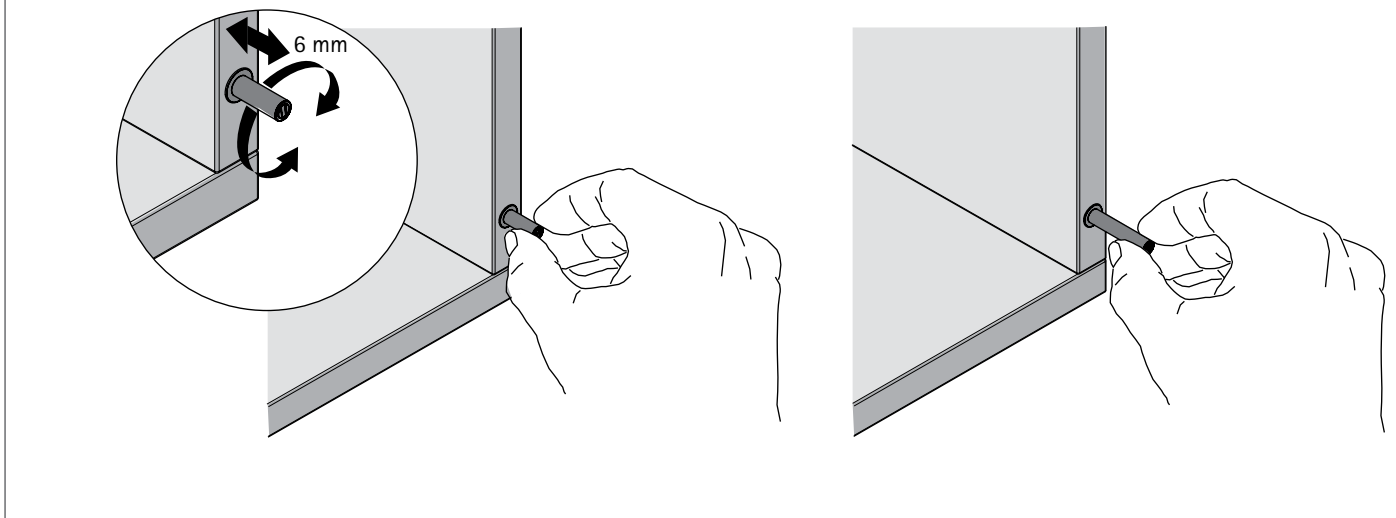
Installing Push to open for drilling in



Installing counterplate for gluing and screwing on



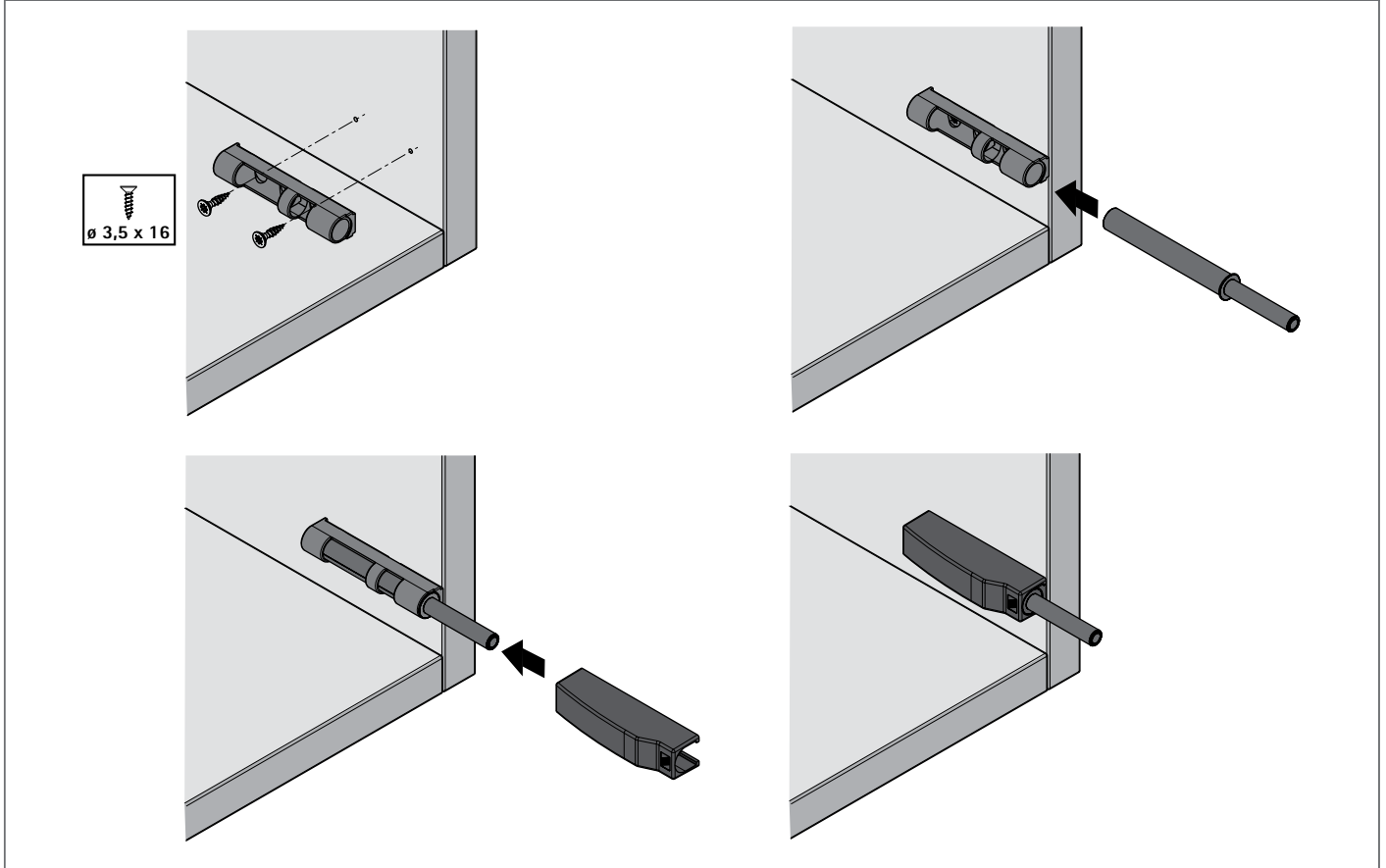
Adjusting Push to open for drilling in



Push to open opening system for handleless furniture fronts

- ▶ Technical information
- ▶ Installation

Installing Push to open design adapter





Flexibility and competency in meeting specific customer demands too

The range of special hinges provides the right fitting for particular applications, such as folding doors, refrigerator

surrounds or flaps. It is also just as easy to produce designs with thin front panel materials, front frame constructions, or cases where no cup drilling can be made.



For thin materials
Glass door hinges for overlay or inset doors.



For folding doors
Centre hinges in a variety of types.



For refrigerator surrounds
Hinge with slim arm and door-on-door slider fitting for connecting furniture and refrigerator door.



For flaps
Markant flap hinges for combining with a flap stay.

Special hinges

► Range summary



Centre hinges

140 - 141



ET 582 for refrigerator surrounds

142



Door-on-door slider fitting for refrigerator surrounds

143



Glass door hinges

144



Flap hinges

145



Optimat Plus 4 FM concealed hinge for front frame

146

Special hinge

- ▶ Centre hinge
- ▶ For folding doors, opening angle 180°

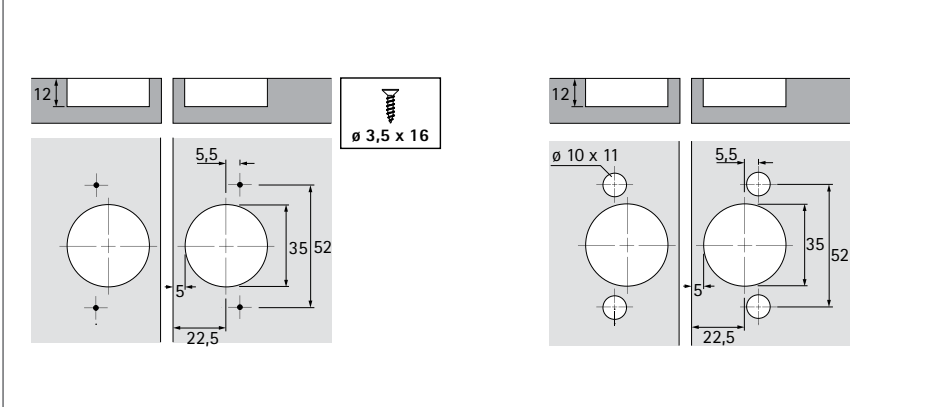


- ▶ Centre hinge for folding doors
- ▶ For door thicknesses over 15 mm
- ▶ Same drilling pattern for door and side element, both elements are mounted separately
- ▶ The reveal can be infinitely adjusted from minimum reveal to + 4 mm, application is always flush
- ▶ Gradual adjustment of the pivot offset with 0 mm, 3 mm and 6 mm
- ▶ Zinc die-cast, nickel plated

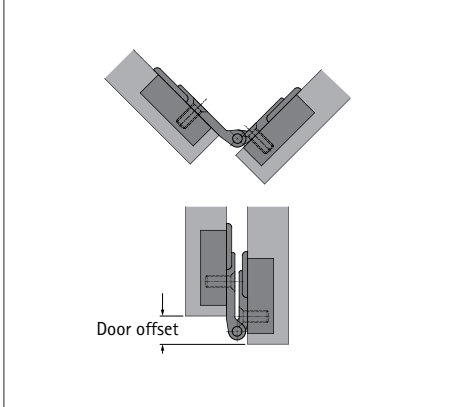
Centre hinge with adjustable offset pivot

Mounting option	Order no.	PU
For screwing on	0 046 787 ✓	10 ea.
For pressing in	0 052 095 ✓	10 ea.

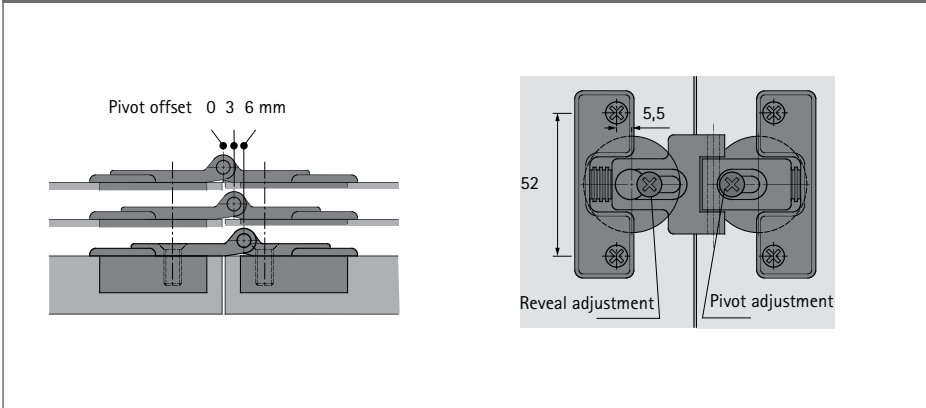
Drilling pattern for screwing on / for pressing in



Door offset



Pivot offset



Pivot offset mm	Door offset mm
0	0
3	6
6	12

By way of example for reveal = 3 mm

✓ Item stocked in New Zealand

Special hinge

- ▶ Centre hinge
- ▶ For folding doors, opening angle 180

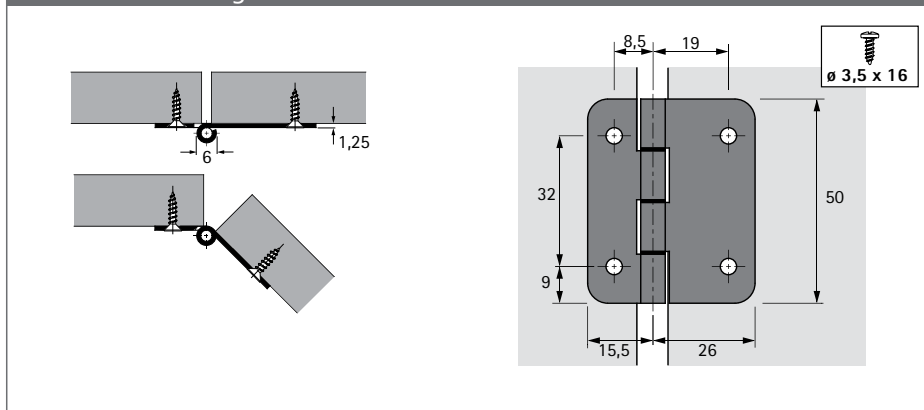


- ▶ Centre hinge for folding doors
- ▶ Can be installed at the centre or with pivot offset
- ▶ Top running performance due to abrasion-resistant distance rings with pivot bearing
- ▶ With fixed steel pin
- ▶ Steel, nickel plated

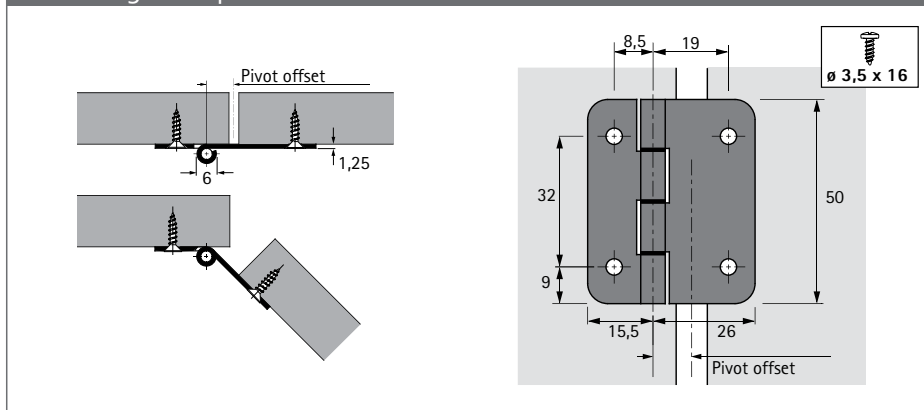
Centre hinge

Order no.	PU
0 071 648 ✓	10 ea.

Centred mounting



Mounting with pivot offset



Item stocked in New Zealand

Special hinge

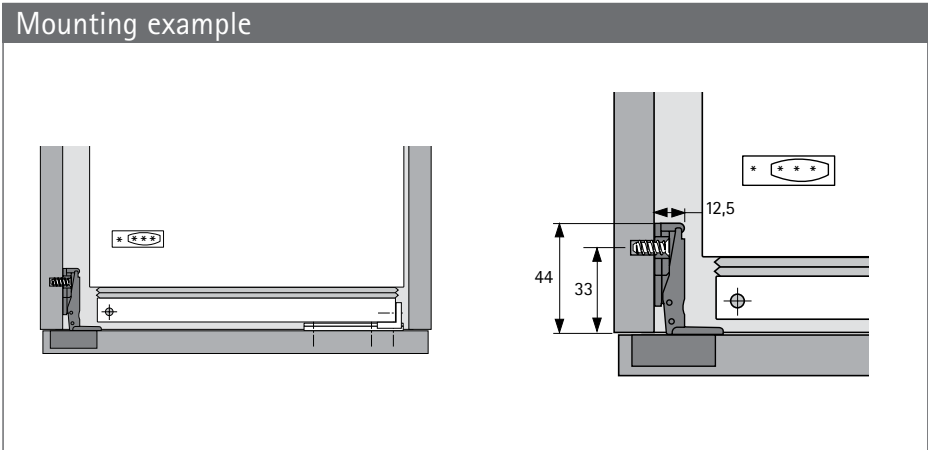
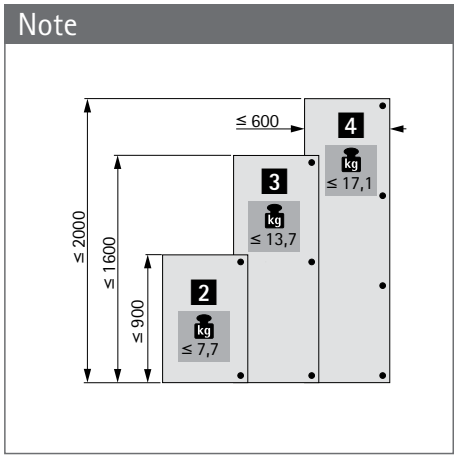
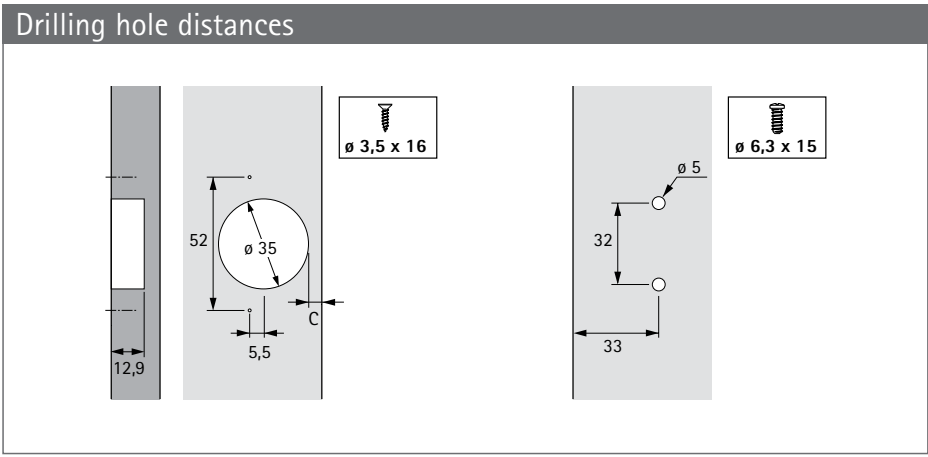
- ▶ ET 582
- ▶ For refrigerator surrounds, opening angle 95°



- ▶ Special hinge with short hinge protrusion for refrigerator surrounds
- ▶ Cup diameter 35 mm
- ▶ Cup depth 12.8 mm
- ▶ With stay closed function
- ▶ Including mounting plate and distance plate (distance = 3 mm) for overlays of 13 - 18 mm
- ▶ Integrated overlay adjustment + 1 mm / - 1 mm
- ▶ Integrated depth adjustment + 3 mm / - 3 mm
- ▶ Hinge arm material: nickel plated steel
- ▶ Cup hinge material: zinc die-cast nickel plated
- ▶ Distance plate material: white plastic

Special hinge ET 582

Order no.	PU
0 072 134 ✓	10 ea.



Note

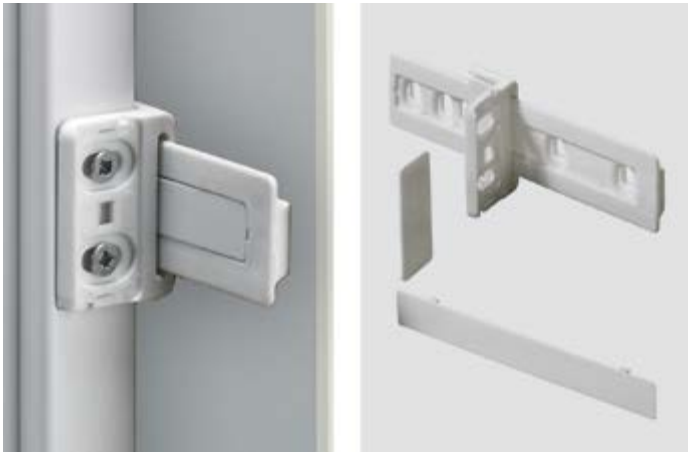
A door-on-door slider fitting can be used for connecting the furniture door to the refrigerator door.

Mounting plate with plastic distance plate = 3 mm distance		Mounting plate without plastic distance plate = 0 mm distance	
Dimension C mm	Overlay mm	Dimension C mm	Overlay mm
3.0	13.0	3.0	16.0
3.5	13.5	3.5	16.5
4.0	14.0	4.0	17.0
4.5	14.5	4.5	17.5
5.0	15.0	5.0	18.0

✓ Item stocked in New Zealand

Special hinge

- ▶ Door-on-door slider fitting for refrigerator surrounds
- ▶ For hinged doors



- ▶ Suitable for built-in refrigerators
- ▶ Allows cabinet and refrigerator door to be opened simultaneously
- ▶ All-inclusive set complete with guide profile, adapter for refrigerator door and cover caps
- ▶ Plastic, white

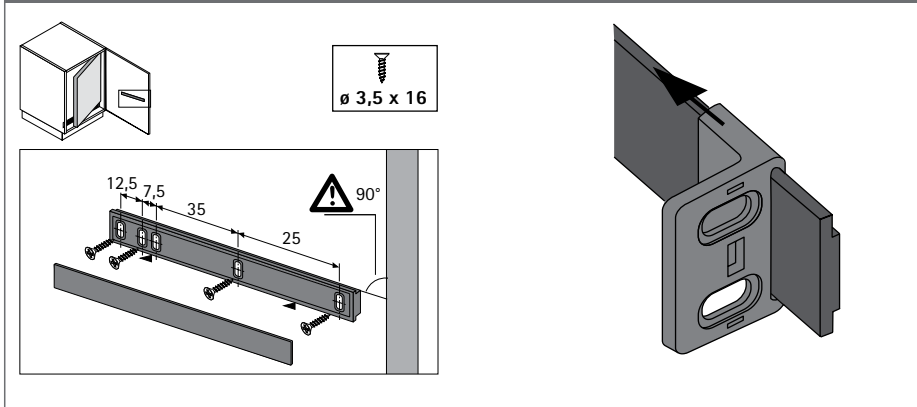
Set comprises:

- ▶ 1 runner
- ▶ 1 cover cap for runner
- ▶ 1 adapter for refrigerator door
- ▶ 1 cover cap for adapter for refrigerator door

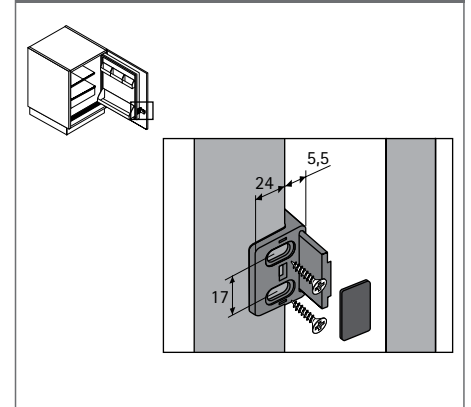
Door-on-door slider fitting for refrigerator surrounds

Order no.	PU
9 079 390 ✓	1 set

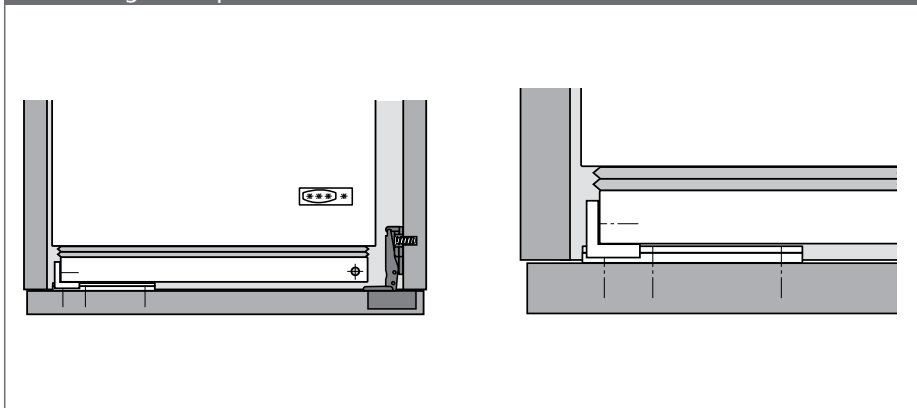
Installation



Installation



Mounting example



Item stocked in New Zealand

Special hinge

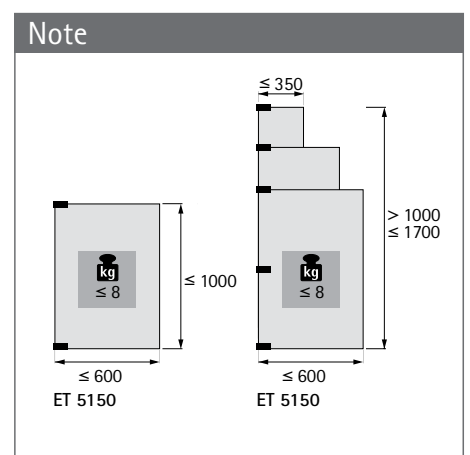
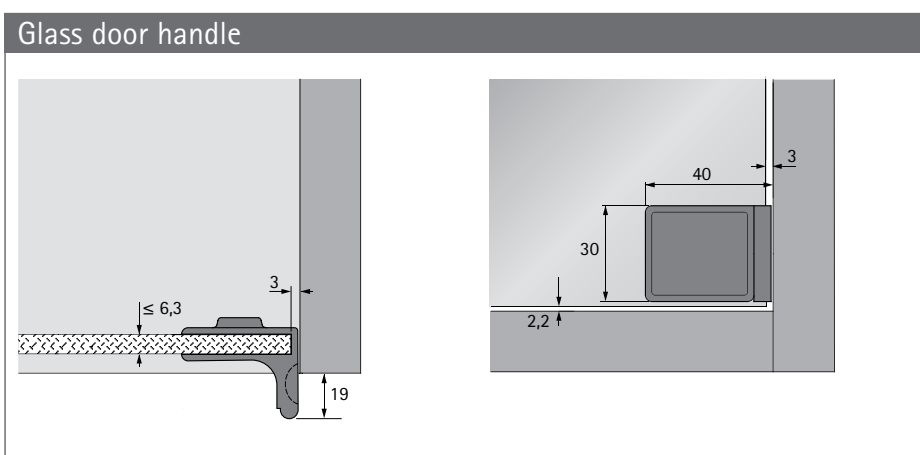
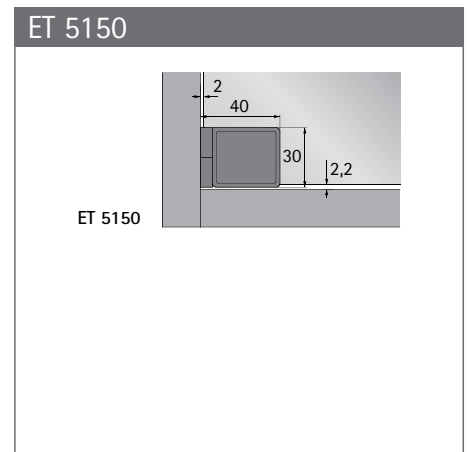
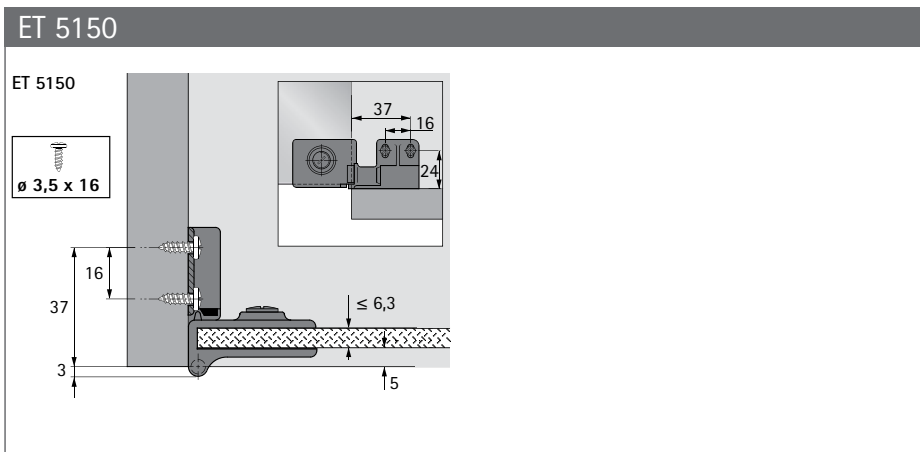
- ▶ Glass door hinge ET 5150
- ▶ For inset doors



- ▶ Glass door hinge with stay close function for inset doors
- ▶ 170° opening angle
- ▶ ET 5150 and glass door handle: easy installation by clamping screw, no need to drill holes in the glass
- ▶ 12 mm \varnothing hole must be drilled in the glass
- ▶ Hinge including stick on anti slip element
- ▶ Door format:
 - Height = inside carcase height - 4.4 mm
 - With glass door handle: width = inside carcase width - 5 mm
 - With other handle: width = inside carcase width - 4 mm
- ▶ Zinc die-cast, matt nickel plated

Glass door hinge ET 5150

Article	Order no.	PU
Glass door hinge ET 5150	0 024 908 ✓	1/20 pair
Glass door handle	0 025 314 ✓	1/20 ea.



Item stocked in New Zealand

Special hinge

- ▶ Flap hinge Markant 11
- ▶ For overlay flaps

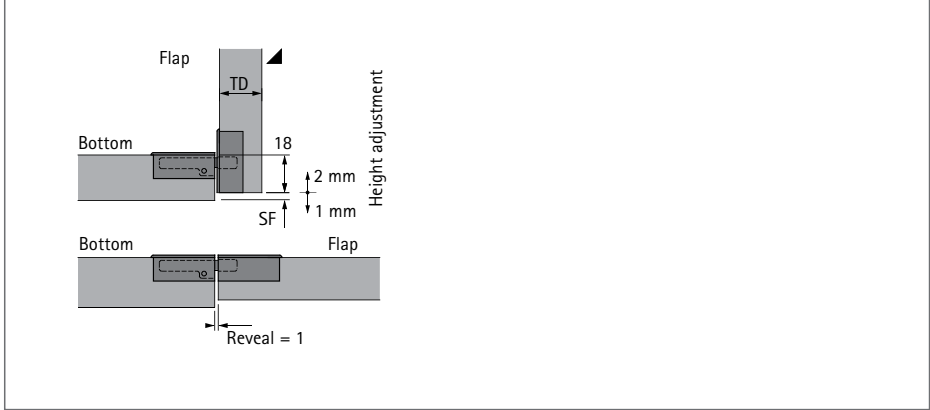


- ▶ Flap hinge for overlay flaps
- ▶ Quality classification under EN 15828, Level 2
- ▶ Separate installation of bottom panel and flap element
- ▶ Flap alignment through adjustment of height, sides and depth
- ▶ Same drilling sizes in bottom panel and flap elements
- ▶ Hole drilling concealed by rim on both parts
- ▶ Without height adjustment, bottom panel and flap are flush on the inside when open
- ▶ Can only be used in conjunction with flap stays
- ▶ Zinc die-cast, nickel plated

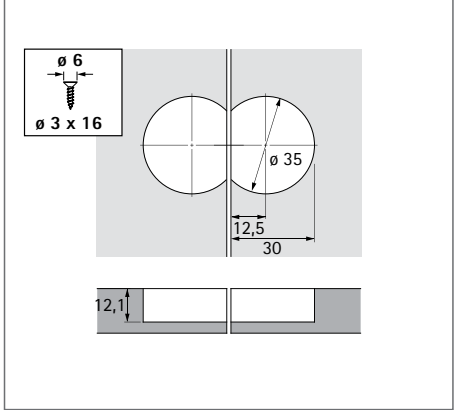
Flap hinge Markant 11

Order no.	PU
0 040 242 ✓	1/20 ea.

Mounting example

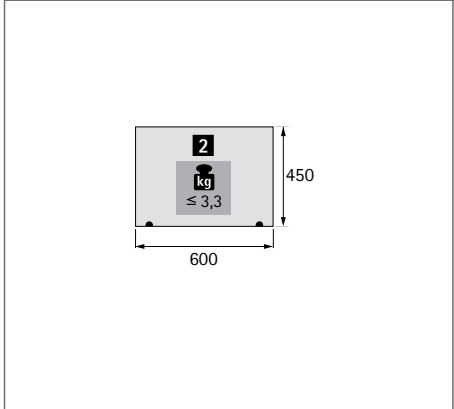


Drilling pattern



Flap thickness TD mm	Minimum reveal SF mm
16	1.0
17	2.0
18	3.0
19	3.5
20	4.5

Note



✓ Item stocked in New Zealand

Special hinge

- ▶ Optimat Plus 4 FM
- ▶ Concealed hinge for front frame, opening angle 110°

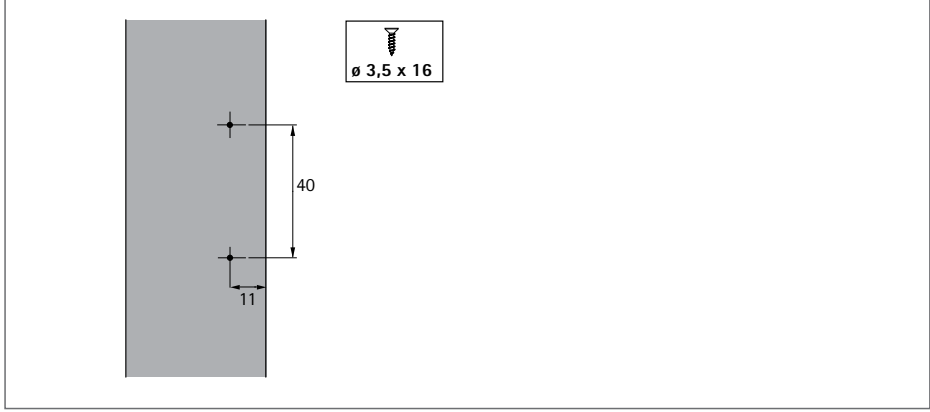


- ▶ Suitable for all frame widths
- ▶ Quality classification under EN 15570, Level 1
- ▶ For doors over 13 mm thick
- ▶ Cup diameter 35 mm
- ▶ Cup depth 11 mm
- ▶ With self closing feature
- ▶ Door reveal at least 37 mm (hinge arm flush with the edge of the frame)
- ▶ Cup distance 2.5 mm
- ▶ Overlay adjustment + 1.5 mm / - 1.5 mm
- ▶ Height adjustment + 2 mm / - 2 mm
- ▶ Steel, nickel plated

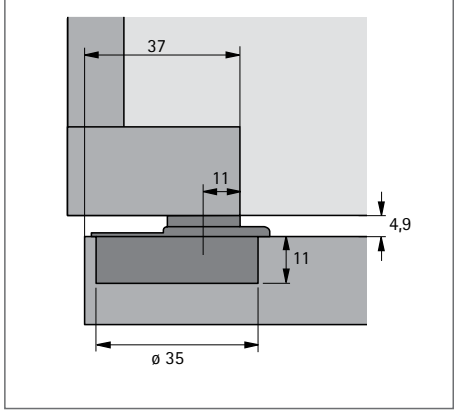
Optimat Plus 4 FM

Order no.	PU
9 072 548 ✓	1/50 ea.

Drilling hole distances for frame / door

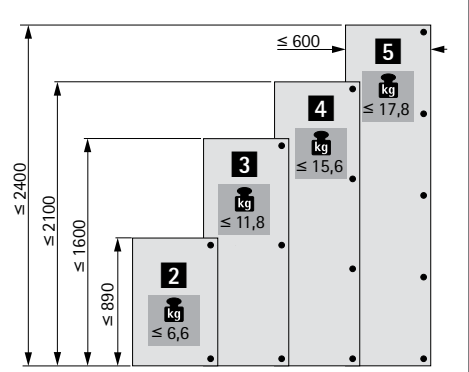


Mounting example



Number of hinges per door

Door format, weight and material quality are crucial factors determining the number of hinges required. The distance between the top and bottom hinge must be at least equal to the width of the door.



Minimum reveal per door

Door thickness mm	Cup distance C mm
16	2.5
19	4.2
	6.7

✓ Item stocked in New Zealand

Order number index

Order no.	Page	Order no.	Page	Order no.	Page	Order no.	Page
0 024 908	144	0 073 922	74	9 043 587	74	9 071 259	17
0 025 048	113	0 073 932	86	9 043 588	74	9 071 260	17
0 025 204	112	0 073 933	86	9 043 629	74	9 071 261	17
0 025 314	144	0 077 675	74	9 043 640	70	9 071 262	17
0 040 242	145	0 077 678	74	9 043 641	70	9 071 263	17
0 040 341	94	0 077 699	86	9 043 642	70	9 071 264	17
0 040 495	94	0 077 700	86	9 043 668	86	9 071 274	17
0 041 296	112	0 077 703	86	9 043 669	86	9 071 275	17
0 045 036	96	0 077 706	86	9 043 671	86	9 071 276	17
0 045 037	96	0 077 708	90	9 043 672	90	9 071 575	104
0 045 042	96	0 077 709	90	9 043 760	87	9 071 576	104
0 045 169	112	0 077 712	90	9 043 761	87	9 071 577	104
0 046 787	140	1 004 895	113	9 043 762	87	9 071 578	104
0 047 451	113	1 029 518	70	9 043 763	91	9 071 595	104
0 047 452	113	1 029 520	70	9 044 821	91	9 071 596	104
0 048 096	86	1 030 620	70	9 044 823	96	9 071 597	104
0 048 097	86	1 030 622	70	9 044 832	87	9 071 598	104
0 048 103	86	1 030 922	70	9 044 833	87	9 071 625	104
0 048 952	113	1 030 924	70	9 044 835	87	9 071 626	104
0 052 095	140	1 058 365	74	9 044 836	87	9 071 627	104
0 060 576	116	1 058 371	74	9 044 838	87	9 071 628	104
0 060 579	117	1 063 454	70	9 044 839	87	9 071 650	105
0 060 580	117	1 063 457	70	9 044 841	91	9 071 651	105
0 060 581	115	1 063 459	70	9 044 842	91	9 071 652	105
0 070 712	94	1 063 472	74	9 071 205	16	9 071 653	105
0 070 713	94	9 043 361	71	9 071 206	16	9 071 655	105
0 071 648	141	9 043 362	71	9 071 207	16	9 071 656	105
0 072 134	142	9 043 363	71	9 071 207	50	9 071 657	105
0 072 960	94	9 043 364	71	9 071 208	16	9 071 658	105
0 072 967	94	9 043 365	71	9 071 209	16	9 072 524	46
0 072 968	94	9 043 366	71	9 071 210	16	9 072 525	46
0 073 917	74	9 043 394	87	9 071 220	16	9 072 526	46
0 073 918	74	9 043 398	87	9 071 221	16	9 072 533	106
0 073 921	74	9 043 402	87	9 071 222	16	9 072 534	106

Order number index

Order no.	Page	Order no.	Page	Order no.	Page	Order no.	Page
9 072 535	106	9 075 097	105	9 088 118	35	9 088 229	44
9 072 536	106	9 075 098	105	9 088 119	35	9 088 249	107
9 072 537	106	9 075 099	105	9 088 121	39	9 088 250	107
9 072 540	109	9 075 100	105	9 088 122	39	9 088 251	107
9 072 541	109	9 079 298	113	9 088 123	43	9 088 253	111
9 072 542	109	9 079 390	143	9 088 136	35	9 089 585	130
9 072 548	146	9 081 657	110	9 088 137	35	9 089 586	124
9 072 563	71	9 081 923	50	9 088 139	39	9 089 587	124
9 072 564	71	9 082 429	112	9 088 140	39	9 089 588	125
9 072 565	71	9 088 016	34	9 088 141	43	9 089 589	125
9 072 569	71	9 088 017	34	9 088 154	35	9 089 590	128
9 072 570	71	9 088 019	38	9 088 155	35	9 089 591	128
9 072 571	71	9 088 020	38	9 088 157	39	9 089 592	129
9 073 567	16	9 088 021	42	9 088 158	39	9 089 593	129
9 073 568	16	9 088 034	34	9 088 159	43	9 089 594	130
9 073 569	16	9 088 035	34	9 088 176	36	9 089 595	131
9 073 576	17	9 088 037	38	9 088 177	36	9 089 596	126
9 073 577	17	9 088 038	38	9 088 179	40	9 089 597	126
9 073 578	17	9 088 039	42	9 088 180	40	9 089 598	127
9 073 595	108	9 088 070	34	9 088 181	44	9 089 599	127
9 073 662	18	9 088 071	34	9 088 194	36	9 089 600	124
9 073 663	18	9 088 073	38	9 088 195	36	9 089 601	124
9 073 664	18	9 088 074	38	9 088 197	40	9 089 602	125
9 073 665	18	9 088 075	42	9 088 198	40	9 089 603	125
9 073 666	18	9 088 082	34	9 088 199	44	9 089 604	128
9 073 667	18	9 088 083	34	9 088 212	36	9 089 605	128
9 073 668	18	9 088 085	38	9 088 213	36	9 089 606	129
9 073 669	18	9 088 086	38	9 088 215	40	9 089 607	129
9 073 670	18	9 088 087	42	9 088 216	40	9 089 608	130
9 073 704	18	9 088 100	35	9 088 217	44	9 089 609	131
9 073 705	18	9 088 101	35	9 088 224	36	9 089 610	126
9 073 706	18	9 088 103	39	9 088 225	36	9 089 611	126
9 075 095	105	9 088 104	39	9 088 227	40	9 089 612	127
9 075 096	105	9 088 105	43	9 088 228	40	9 089 613	127

Order number index

Order no.	Page	Order no.	Page	Order no.	Page	Order no.	Page
9 089 625	124			9 094 380	27	9 099 763	82
9 089 626	124	9 091 490	21	9 094 381	27	9 099 766	82
9 089 627	125	9 091 491	21	9 094 386	27	9 099 810	83
9 089 628	125	9 091 496	21	9 099 540	30	9 099 811	83
9 089 629	128	9 091 500	21	9 099 541	30	9 099 813	83
9 089 630	128	9 091 501	21	9 099 543	30	9 099 816	83
9 089 631	129	9 091 506	21	9 099 546	30	9 099 820	83
9 089 632	129	9 091 510	21	9 099 550	30	9 099 821	83
9 089 633	132	9 091 511	21	9 099 550	50	9 099 823	83
9 089 634	131	9 091 516	21	9 099 551	30	9 099 826	83
9 089 635	126	9 091 580	22	9 099 553	30	9 099 870	107
9 089 636	126	9 091 581	22	9 099 556	30	9 099 871	107
9 089 637	127	9 091 586	22	9 099 600	31	9 100 037	108
9 089 638	127	9 091 590	22	9 099 601	31	9 100 116	108
9 088 254	111	9 091 591	22	9 099 603	31	9 101 552	111
9 090 107	48	9 091 596	22	9 099 606	31	9 102 082	111
9 090 109	48	9 091 600	22	9 099 610	31	9 103 006	110
9 090 110	48	9 091 601	22	9 099 611	31	9 106 986	106
9 090 113	48	9 091 606	22	9 099 613	31	9 106 987	106
9 090 260	20	9 094 000	26	9 099 616	31	9 106 988	106
9 090 261	20	9 094 001	26	9 099 660	32	9 117 716	78
9 090 266	20	9 094 006	26	9 099 661	32	9 117 717	78
9 090 270	20	9 094 090	27	9 099 663	32	9 117 718	78
9 090 271	20	9 094 091	27	9 099 666	32	9 188 862	110
9 090 276	20	9 094 096	27	9 099 670	32	9 207 524	134
9 090 280	20	9 094 280	26	9 099 671	32		
9 090 280	50	9 094 281	26	9 099 673	32		
9 090 281	20	9 094 286	26	9 099 676	32		
9 090 286	20	9 094 290	26	9 099 750	82		
9 090 756	109	9 094 291	26	9 099 751	82		
9 090 845	133	9 094 296	26	9 099 753	82		
9 090 846	133	9 094 370	27	9 099 756	82		
9 090 864	110	9 094 371	27	9 099 760	82		
9 090 869	133	9 094 376	27	9 099 761	82		



Hettich accepts responsibility for the world we live in. This awareness defines the strict policy of environmental management that we practise. Our environmental officer has taken personal responsibility for these aspects throughout the group of companies over a period of many years. In addition, a separate environment committee has been established for each production site. We regard statutory provisions as minimum requirements. At significant sites we also implement the stringent EMAS Regulation. And we drive forward developments that in future will help to save even more raw materials and support the necessary endeavours towards sustainability.

Hettich environmental management

In 1996 Hettich started introducing effective environmental management systems under the stringent EMAS Regulation (currently: EC Regulation No. 761/2001, including EN ISO 14.001/2004). This not only enables us to improve

our environmental performance on a broad front but also to achieve a high level of safety which, not least, also benefits our customers. This is why we also require our suppliers to meet the necessary minimum standards of environmental protection, industrial safety, health care and social welfare.

The results achieved in the drawer runner and drawer system product segment at the Kirchlengern operation illustrate the impressive effects these measures have and verifiably demonstrate our tireless endeavours to translate words into action:

Relief to the environment between 1997 and 2008:

Specific water consumption:	56 percent
Specific power consumption:	21 percent
Specific heat consumption:	84 percent
Specific CO2 emissions:	29 percent



Hettich standard for product materials

Hettich underpins its commitment by applying an internal standard for product materials. This ensures that every product – from production to disposal – satisfies all environmental requirements. Hettich products are durable. Appropriately foresighted, our rigorous standards are formulated to ensure that international legislation is also met. This provides a reliable basis for marketing furniture worldwide.

Zero energy building – Hettich Forum

The Hettich Forum building with its neutral energy balance is a shining example of future proof building design. Photovoltaic panels and solar collection system providing hot water as well as extensive roof greening and use of rain water underscore this building's overall

sustainability concept in just the same way as the broad use of cellulose insulation material from recycled newspapers, highly efficient heat recovery and the bulb free lighting concept do.

With the Hettich group of companies having acquired European Commission GreenBuilding Partner status on 5 March 2009, the comprehensive approach demonstrated by the Hettich Forum has also convinced the adjudicating panel of the national „Green Building Award 2009“. Hettich received the first prize to be presented in the „New Building“ category.

Technik für Möbel



Technical information/legal notice

General technical conditions

The fitting information, screw fixing points and load capacity information contained in this catalogue assume proper attachment using screws specified by Hettich to a chipboard panel providing a screw pull out resistance of at least 1,000 N in accordance with EN 320.

Hettich accepts no responsibility for the load capacity of furniture and its components if materials or fastening methods are used other than those stated; the furniture manufacturer must verify load capacity.

The fitting situations shown in this catalogue are only intended to illustrate the possible options.

The furniture manufacturer is responsible for ensuring that furniture is designed in compliance with standards, in particular with regard to meeting the requirements on safety.

We will be pleased to provide any further information you may require.

General Terms of Sale and Delivery

All products and services will be provided exclusively on the basis of our General Terms of Sale and Delivery published on our website at www.hettich-agb.com.

Legal notice

© Hettich Marketing- und Vertriebs GmbH & Co. KG
32278 Kirchlengern · Germany

January 2017

We reserve all rights to this catalogue under copyright law. It shall not be permissible to duplicate this catalogue in any form either in whole or in part without our written consent. Subject to technical alterations. Errors and omissions excepted. Subject to colour variations.

Order no. 9 234 457

www.hettich.com

Order no. 9 234 457
1612-020_Hinges_1216_HAU_NZL/en

Technik für Möbel


Hettich