



Simple, handleless, good:  
**Electromechanical opening system**  
**Easys for refrigerators**

Technik für Möbel

  
**Hettich**

## The refrigerator as a design object – in every class: Broad differentiation



### **Intelligent functionality. Hidden technology.**

The electromechanical opening assistance Easys is so powerful that it easily overcomes the holding force of a refrigerator's magnetic stay closed function. As a result, the refrigerator door and carcass door unit is reliably opened in response to a gentle press.



### **Finger protection – not only for children's hands**

Refrigerators fitted with Easys only open when they are really supposed to. And can be closed by hand in the usual way. The perfected control system reliably prevents any unintentional opening. This means there is no need for any power assisted closure – good news for your fingers! The push out rod is designed without a magnet and harbours no risk, neither mechanically nor electromagnetically.

# Electromechanical opening system Easys

- ▶ For refrigerators
- ▶ For screwing on

## Easys for refrigerators



- ▶ Electromechanical opening system for refrigerator
- ▶ Quality grades in line with EN 15570, Level 3
- ▶ For installing in refrigerator surround (500 - 600 mm width)
- ▶ For attachment with chipboard screws

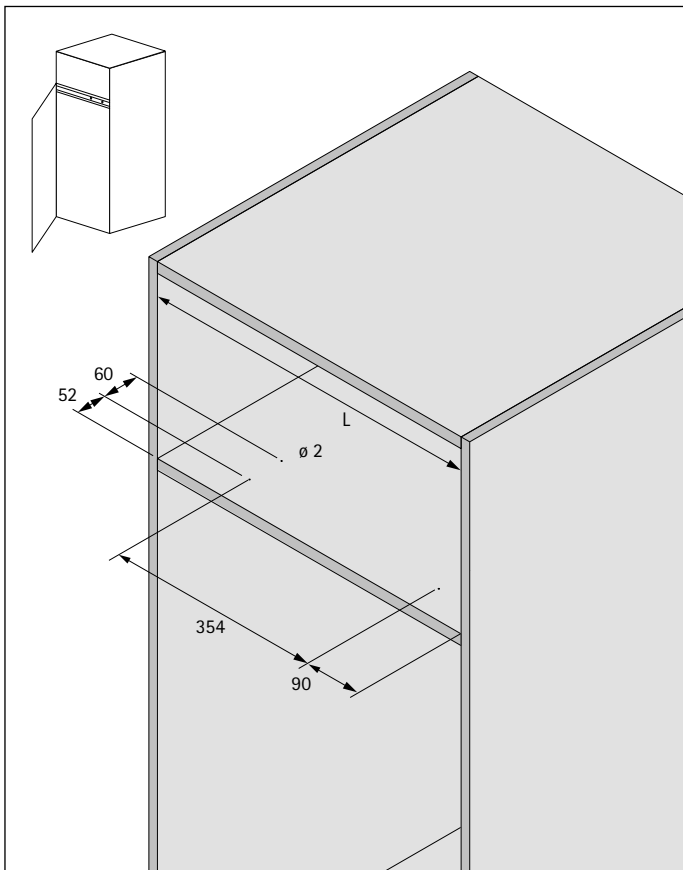
### Set comprises:

- ▶ 1 Easys function unit
- ▶ 3 spacers
- ▶ 1 power supply unit
- ▶ 1 drilling template
- ▶ 1 designer profile
- ▶ 2 designer sockets
- ▶ 1 counterplate
- ▶ 4 spring buffers
- ▶ 7 chipboard screws 3.5 mm dia. x 30 mm

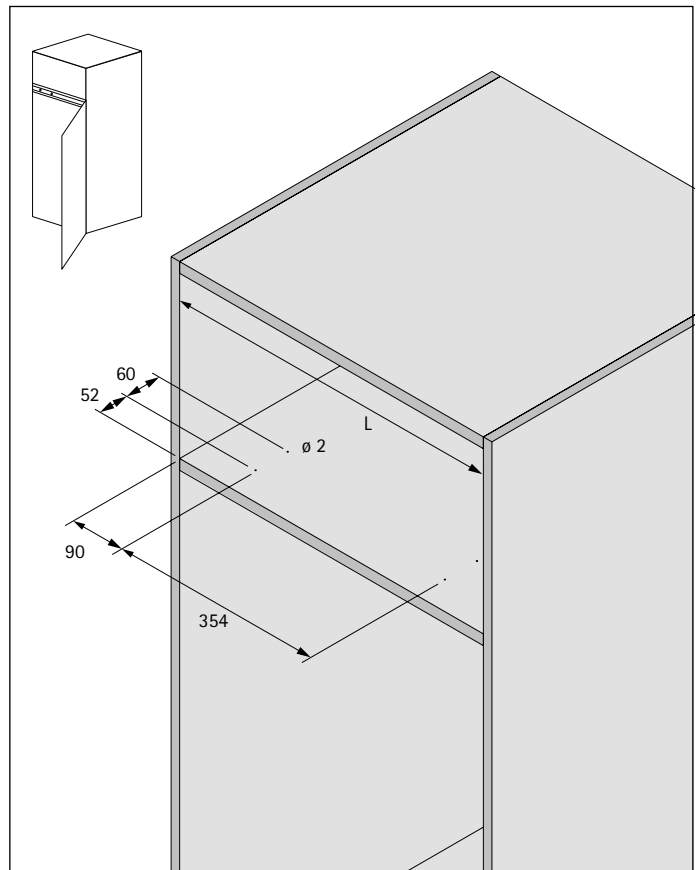


Type	Order no.	PU
Easys version for Australia	<b>9 211 910</b>	1 set
Power cord length 1800 mm	<b>1 161 457</b>	1 ea.

## Drilling pattern for refrigerator door mounted on left



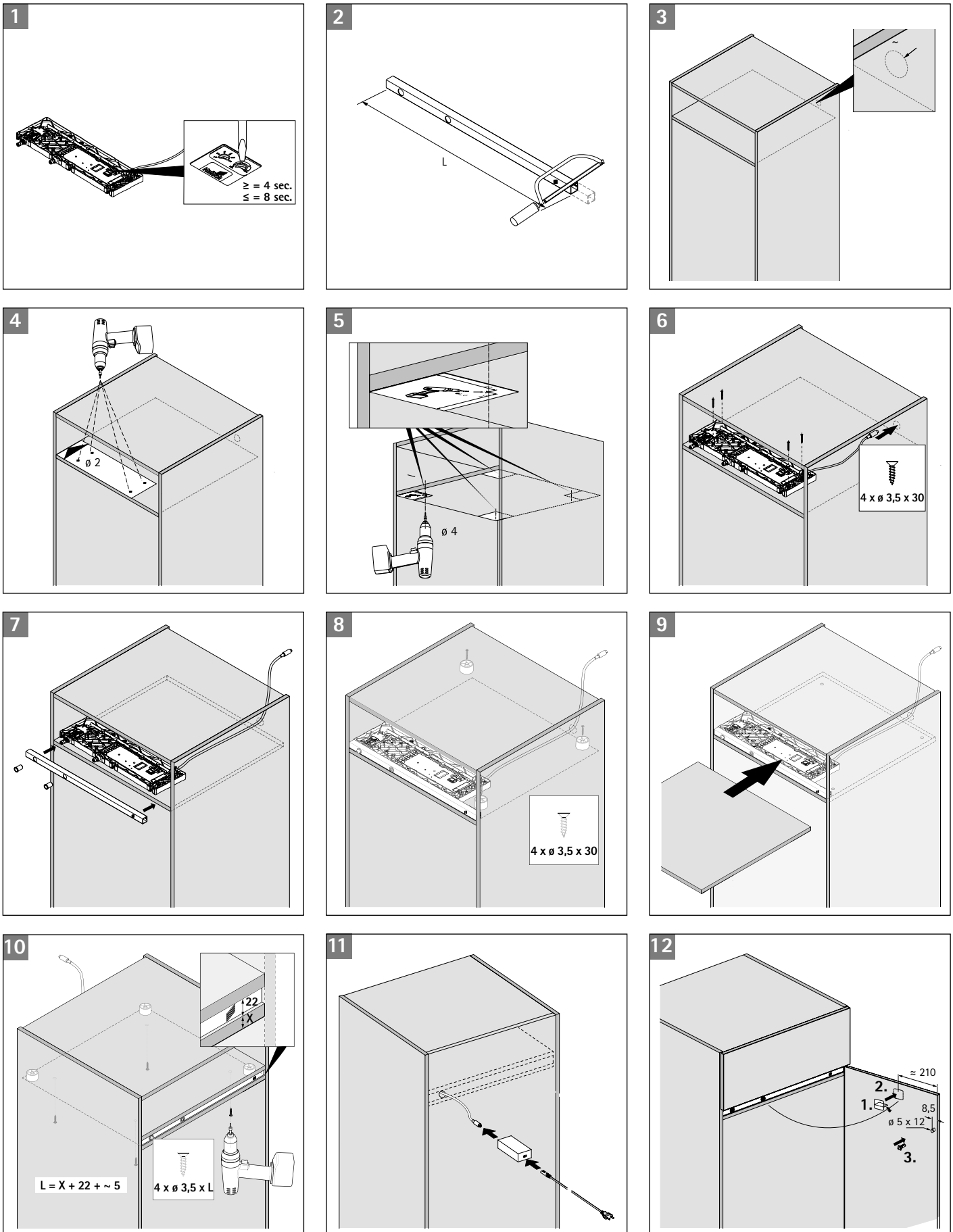
## Drilling pattern for refrigerator door mounted on right



# Electromechanical opening system Easys

- ▶ For refrigerators
- ▶ Installation

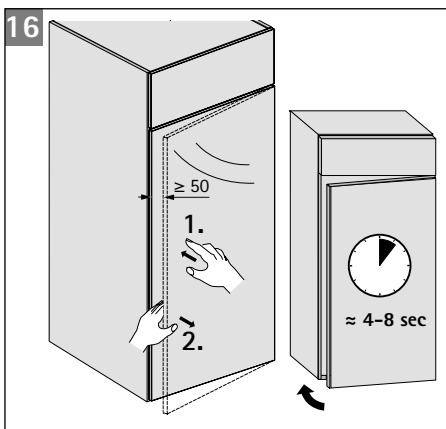
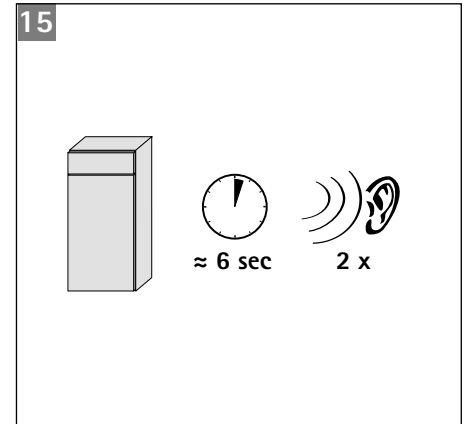
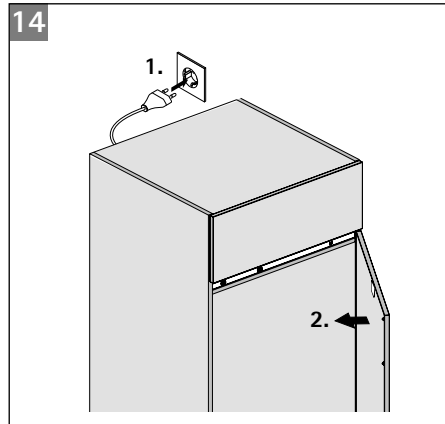
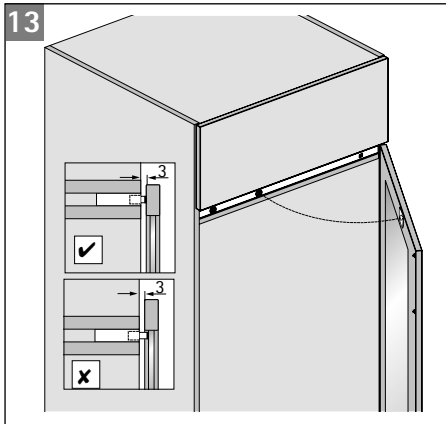
## Installation



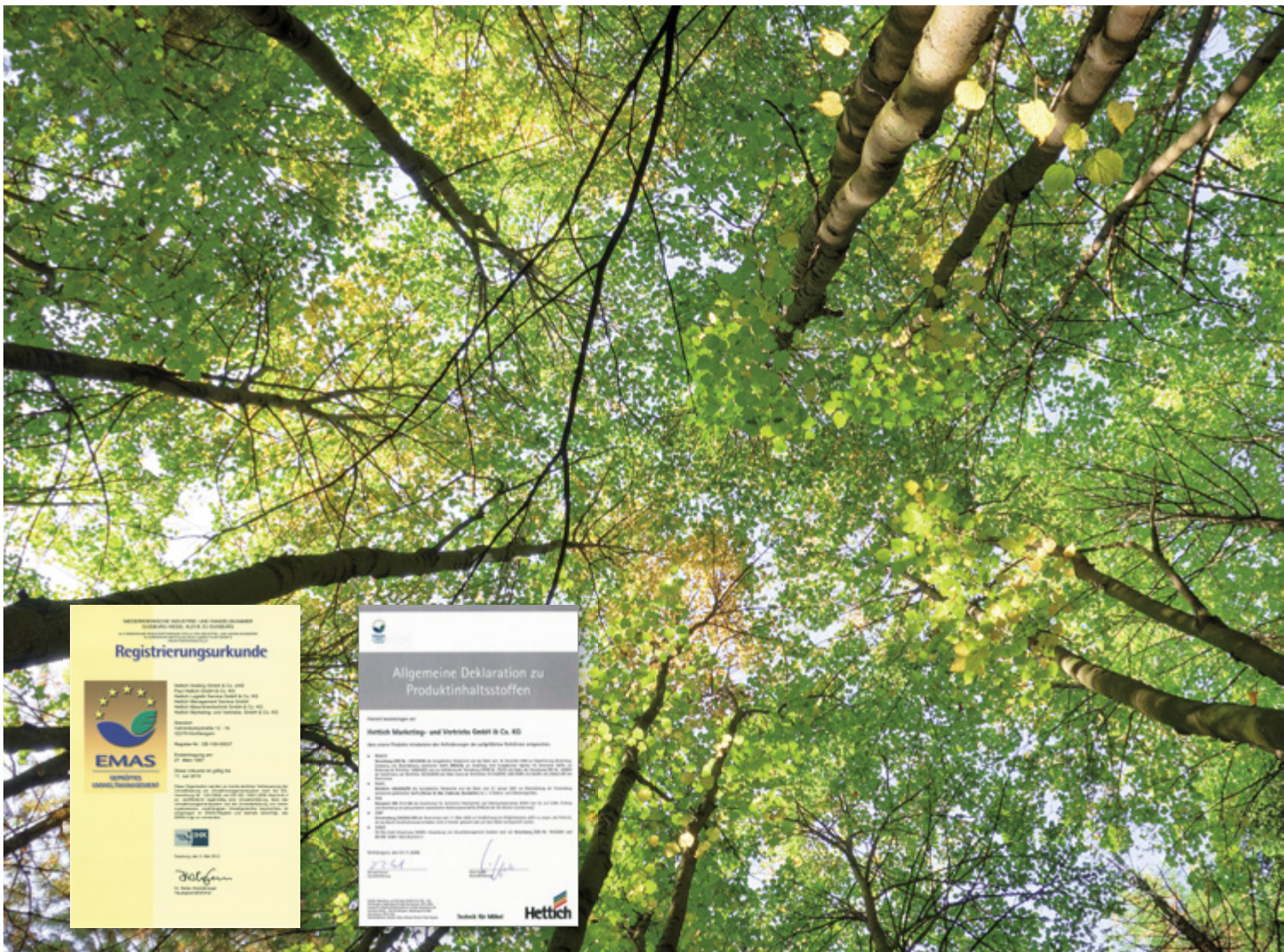
# Electromechanical opening system Easys

- ▶ For refrigerators
- ▶ Installation

## Installation



Hettich and the environment: Committed to responsible practice, active protection, innovative thinking.



Hettich takes a responsibility for the world we live in. This awareness defines the strict policy of environmental management that we practise. Our environmental officer has taken personal responsibility for these aspects throughout the group of companies over a period of many years. In addition, a separate environment committee has been established for each production site. We regard statutory provisions as minimum requirements. At significant sites we also implement the stringent EMAS Regulation. And we drive forward developments that in future will help to save even more raw materials and support the necessary endeavours towards sustainability.

**Hettich standard for product materials**

Hettich underpins its commitment by applying an internal standard for product materials. This ensures that every product – from production to disposal – satisfies all environmental requirements. Hettich products are durable. Appropriately foresighted, our rigorous standards are formulated to ensure that international legislation is also met. This provides a reliable base for marketing furniture worldwide.

**Hettich environmental management**

In 1996 Hettich started introducing effective environmental management systems under the stringent EMAS Regulation (currently: EC Regulation No. 761/2001, including EN ISO 14.001/2004). This not only enables us to improve our environmental performance on a broad front but also to achieve a high level of safety which, not least, also benefits our customers. This is why we also require our suppliers to meet the necessary minimum standards of environmental protection, industrial safety, health care and social welfare. The results achieved in the drawer runner and drawer system product segment at the Kirchlegern operation in Germany illustrate the impressive effects these measures have and verifiably demonstrate our tireless endeavours to translate words into action:

Relief to the environment between 1997 and 2008:

Specific water consumption:	56 per cent
Specific power consumption:	21 per cent
Specific heat consumption:	84 per cent
Specific CO <sub>2</sub> emissions:	29 per cent

[www.hettich.com](http://www.hettich.com)

Order no.: 9 228 982  
1706-025\_Easys\_refrigerators\_06/17\_HAU\_NZU/en

**Hettich Australia**

1 Herbert Place  
Smithfield 2164, Sydney

Free Phone: 1800 687 789  
Fax: (02) 9616 7778  
Free Fax: 1800 150 129  
[support@hettich.com.au](mailto:support@hettich.com.au)  
[hettich.com.au](http://hettich.com.au)  
Online catalogue - [hettich.com.au/ecat](http://hettich.com.au/ecat)

**Hettich New Zealand**

18 Barmac Place  
East Tamaki, Auckland

Phone: (64) 9274 4036  
Free Phone: 0800 HETTICH  
Fax: (64) 9274 8177  
Free Fax: 0800 737 847  
[sales\\_nz@hettich.co.nz](mailto:sales_nz@hettich.co.nz)  
[hettich.co.nz](http://hettich.co.nz)  
Online catalogue - [hettich.co.nz/ecat](http://hettich.co.nz/ecat)

Technik für Möbel

  
**Hettich**