

Drawer kits in white

InnoTech Atira Catalogue Extract




Hettich

InnoTech Atira double walled drawer system

- ▶ Range summary
- ▶ Powder coated steel, white



Drawer, height 70 mm

6



Pot-and-pan drawer with railing,
height 144 mm

8



Pot-and-pan drawer with railing,
height 176 mm

10

InnoTech Atira system components

Basic components

- 1 Drawer side profile, left and right
- 2 Drawer front connector for drawer side profile
- 3 Rear panel connector
- 4 Cover caps
- 5 Lengthwise railing
- 6 Drawer front connector for lengthwise railing
- 7 TopSide adapter
- 8 TopSide in glass
- 9 TopSide in metal
- 10 Adapter for lengthwise railing

Front panel options

- 15 Front panel for internal drawer / internal pot-and-pan drawer
- 16 Aluminium front
- 17 Railing for aluminium front panel
- 18 Connector for aluminium front panel
- 19 Follower for internal front panel
- 20 Front stabiliser

Drawer runners

- 23 Quadro drawer runners

Wooden elements cut to size

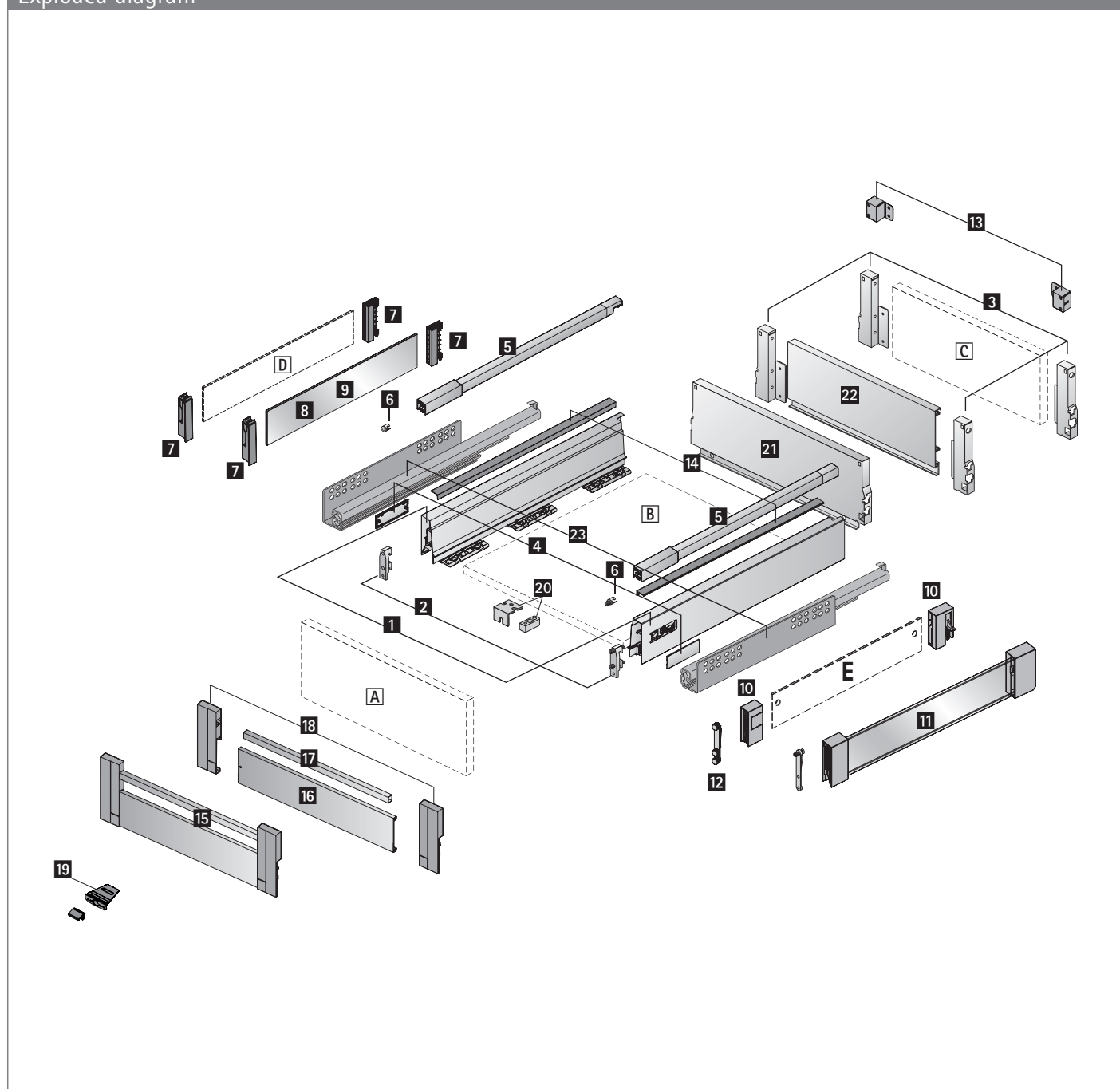
- A Front panel
- B Bottom panel
- C Wooden rear panel
- D TopSide - for use in any chosen material

InnoTech Atira double walled drawer system

► Exploded drawing / overview of components



Exploded diagram



InnoTech Atira double walled drawer system

- ▶ Drawer height 70 mm
- ▶ Powder coated steel, silver / white



Set comprises:

- ▶ **1** 1 Drawer side profile, left and right
- ▶ **2** 2 Drawer front connectors for drawer side profile with expanding dowel
- ▶ **3** 2 Cover caps, grey plastic with Hettich logo
- ▶ **6** 1 Lengthwise railing, left and right
- ▶ **5** 2 Drawer front connectors for lengthwise railing with expanding dowel
- ▶ **9** 1 Rear panel connector, left and right

Note: drawer runners are not included in sets and will need to be purchased separately

Drawer sets excluding runners, individual packaging

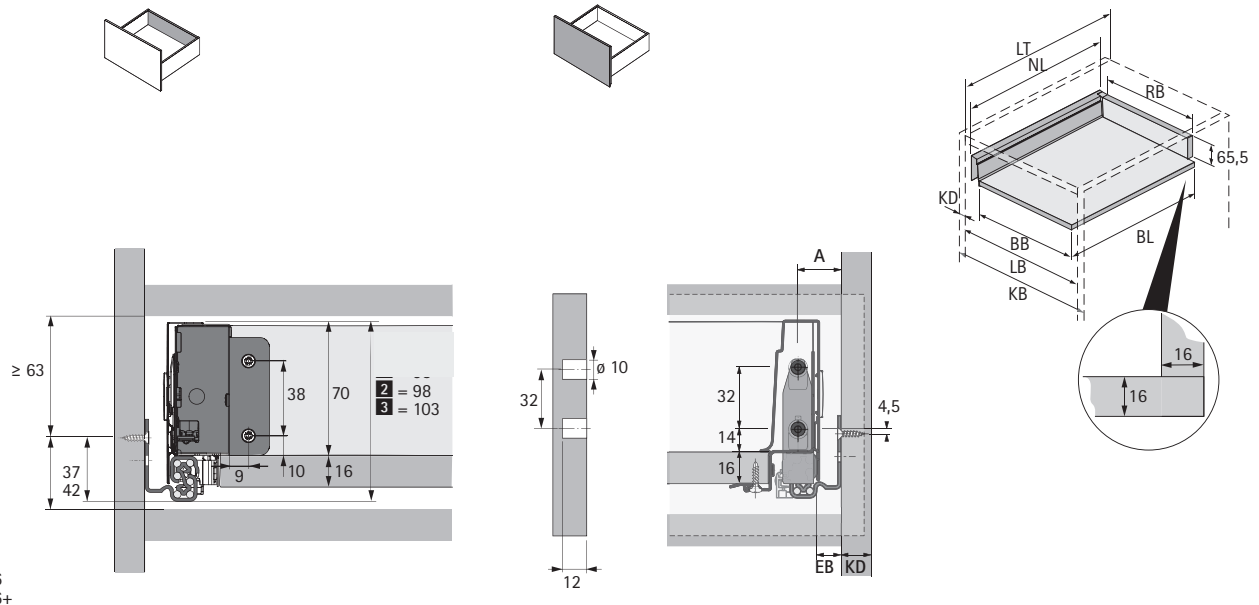
Standard drawer set

Nominal length mm	Order no.	PU
	Drawer without Quadro - White	
260	9 319 122	1 set
300	9 319 123	1 set
350	9 319 124	1 set
420	9 319 125	1 set
470	9 319 126	1 set
520	9 319 127	1 set

InnoTech Atira double walled drawer system

- ▶ Drawer height 70 mm
- ▶ Powder coated steel, white

Planning / installation dimensions



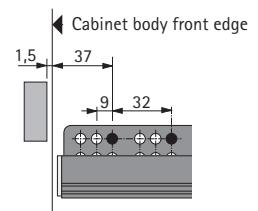
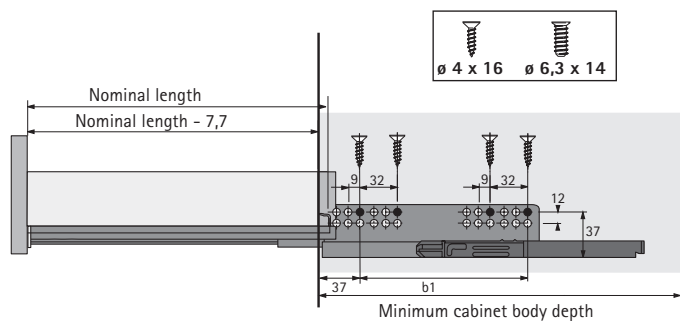
BB Bottom panel width	RB Rear panel width	LB Clear inside width
BL Bottom panel length	NL Nominal length	LT Clear inside depth
KB Cabinet body width	KD Cabinet body side thicknesses	EB Installation width

KD	16
EB	12,5
A	23

Dimension	mm
BL	NL + 10
BB	LB - 2 x EB - 51,5
RB	LB - 2 x EB - 63

Positions for attaching Quadro V6 drawer runner

Nominal length mm	Hole spacing b1 mm
260	160
300	160
350	160
420	224
470	256
520	256



Note:
For further information, please refer to the chapter on drawer runners.

Useful Information

- ▶ Quadro drawer runner sets

13 - 14



hettich.com/short/13aee4

InnoTech Atira double walled drawer system

- ▶ Pot-and-pan drawer with railing, height 144 mm
- ▶ Powder coated steel, white



Set comprises:

- ▶ **1** 1 Drawer side profile, left and right
- ▶ **2** 2 Drawer front connectors for drawer side profile with expanding dowel
- ▶ **3** 2 Cover caps, grey plastic with Hettich logo
- ▶ **6** 1 Lengthwise railing, left and right
- ▶ **5** 2 Drawer front connectors for lengthwise railing with expanding dowel
- ▶ **9** 1 Rear panel connector, left and right

Note: drawer runners are not included in sets and will need to be purchased separately

Drawer sets excluding runners, individual packaging

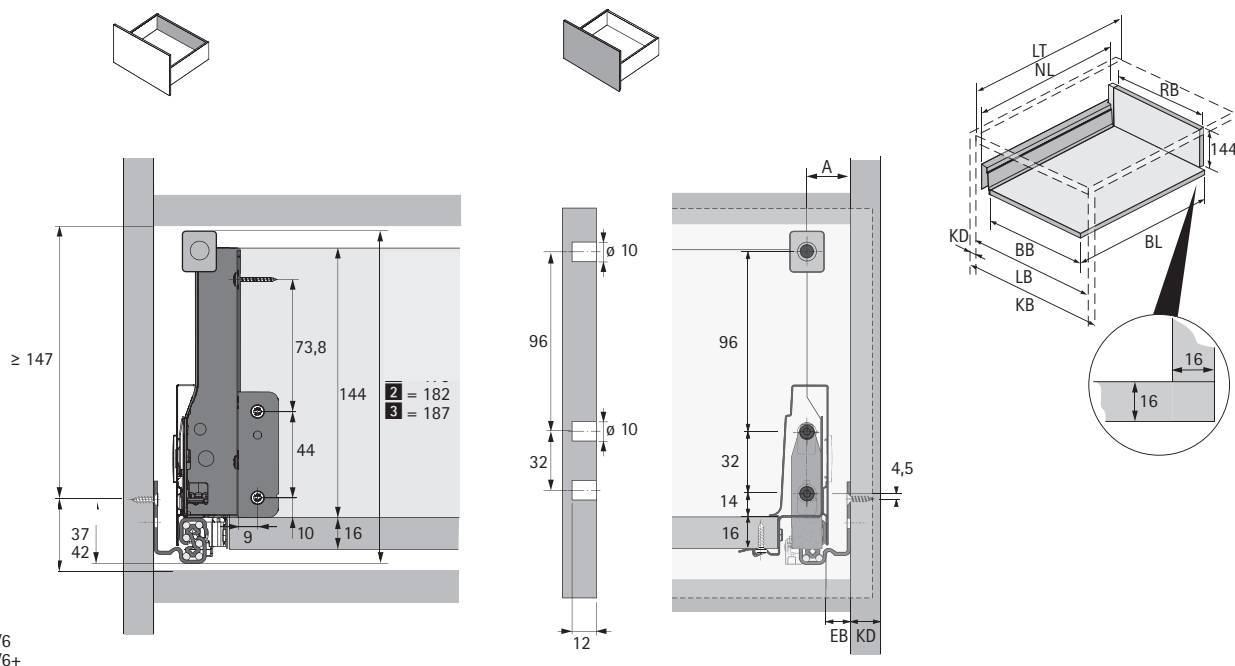
Pot-and-pan drawer set with lengthwise railing

Nominal length mm	Order no. Pot-and-pan drawer without Quadro - White	PU
260	9 319 148	1 set
300	9 319 149	1 set
350	9 319 150	1 set
420	9 319 151	1 set
470	9 319 152	1 set
520	9 319 153	1 set

InnoTech Atira double walled drawer system

- ▶ Pot-and-pan drawer with railing, height 144 mm
- ▶ Powder coated steel, white

Planning / installation dimensions

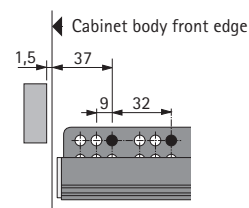
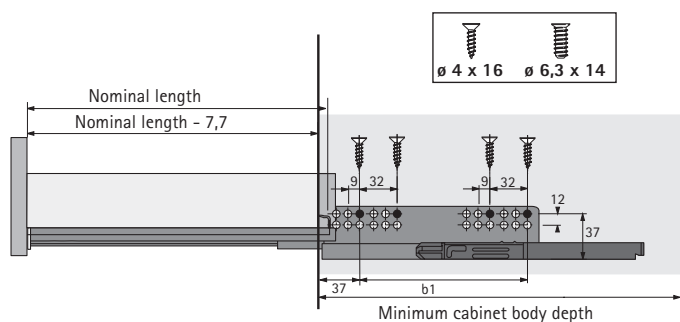


2 = Quadro V6
3 = Quadro V6+

Dimension	mm			
BB Bottom panel width	RB Rear panel width	LB Clear inside width	KD	16
BL Bottom panel length	NL Nominal length	LT Clear inside depth	EB	12,5
KB Cabinet body width	KD Cabinet body side thicknesses	EB Installation width	A	23
BL		NL + 10		
BB		LB - 2 x EB - 51,5		
RB		LB - 2 x EB - 63		

Positions for attaching Quadro V6 drawer runner

Nominal length mm	Hole spacing b1 mm
260	160
300	160
350	160
420	224
470	256
520	256



Note:
For further information, please refer to the chapter on drawer runners.

Useful Information

- ▶ Quadro drawer runner sets 13 - 14



hettich.com/short/335697

InnoTech Atira double walled drawer system

- ▶ Pot-and-pan drawer with railing, height 176 mm
- ▶ Powder coated steel, white



Set comprises:

- ▶ **1** 1 Drawer side profile, left and right
- ▶ **2** 2 Drawer front connectors for drawer side profile with expanding dowel
- ▶ **3** 2 Cover caps, grey plastic with Hettich logo
- ▶ **6** 1 Lengthwise railing, left and right
- ▶ **5** 2 Drawer front connectors for lengthwise railing with expanding dowel
- ▶ **8** 1 Rear panel connect

Note: drawer runners are not included in sets and will need to be purchased separately

Drawer sets excluding runners, individual packaging

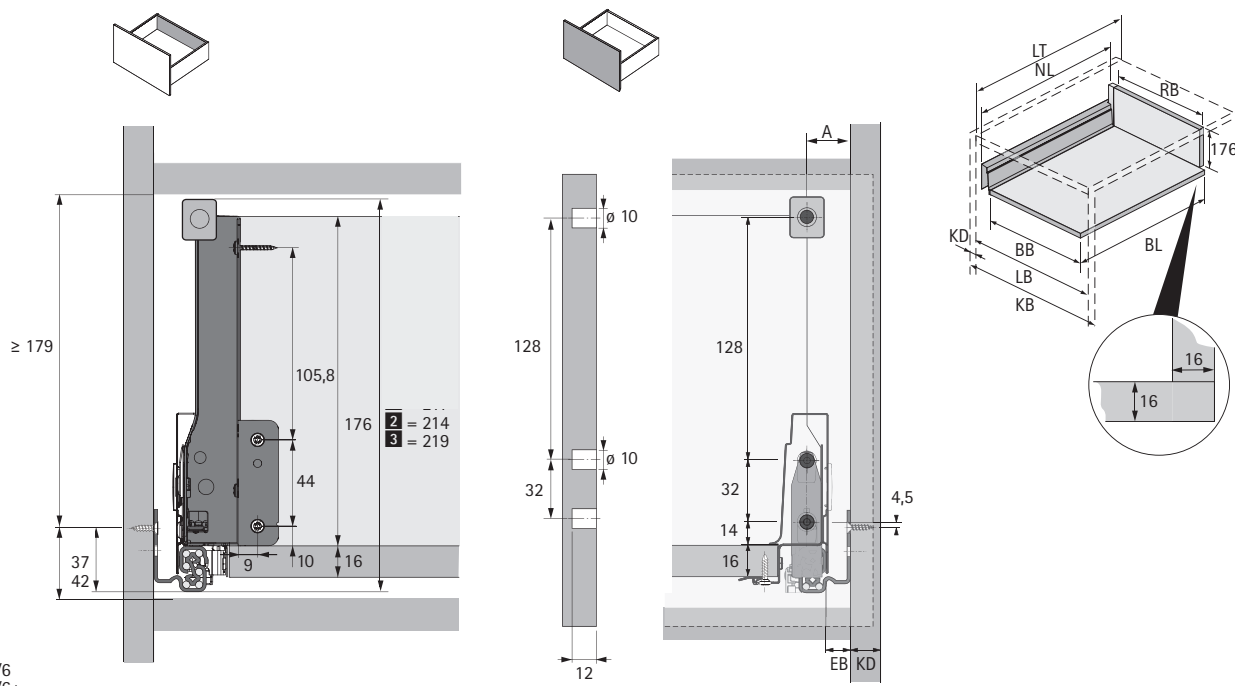
Pot-and-pan drawer set with lengthwise railing

Nominal length mm	Order no.	PU
	Pot-and-pan drawer without Quadro - White	
260	9 319 169	1 set
300	9 319 170	1 set
350	9 319 171	1 set
420	9 319 172	1 set
470	9 319 173	1 set
520	9 319 174	1 set

InnoTech Atira double walled drawer system

- ▶ Pot-and-pan drawer with railing, height 176 mm
- ▶ Powder coated steel, white

Planning / installation dimensions



2 = Quadro V6
3 = Quadro V6+

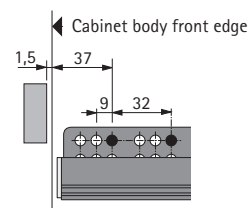
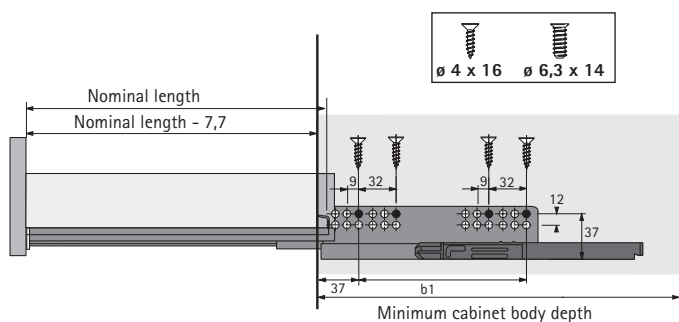
BB Bottom panel width	RB Rear panel width	LB Clear inside width
BL Bottom panel length	NL Nominal length	LT Clear inside depth
KB Cabinet body width	KD Cabinet body side thicknesses	EB Installation width

KD	16
EB	12,5
A	23

Dimension	mm
BL	NL + 10
BB	LB - 2 x EB - 51,5
RB	LB - 2 x EB - 63

Positions for attaching Quadro V6 drawer runner

Nominal length mm	Hole spacing b1 mm
260	160
300	160
350	160
420	224
470	256
520	256



Note:
For further information, please refer to the chapter on drawer runners.

Useful Information

- ▶ Quadro drawer runner sets

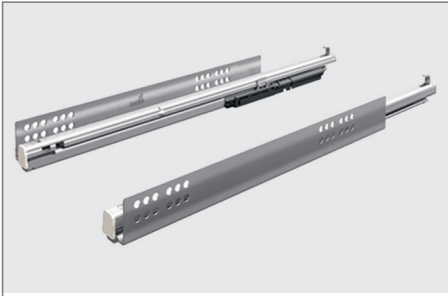
13 - 14



hettich.com/short/9a9ed1

InnoTech Atira double walled drawer system

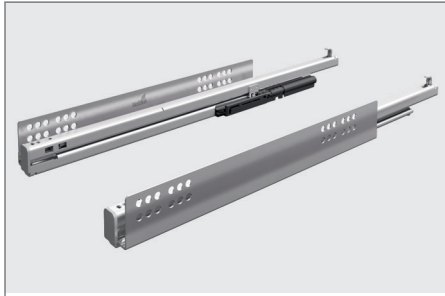
- ▶ Range summary
- ▶ Quadro drawer runners



Quadro V6 full extension runner
load capacity up to 30 kg

- ▶ with Silent System

13



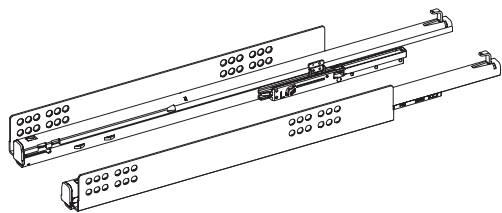
Quadro V6+ full extension runner
load capacity up to 50 kg

- ▶ with Silent System

14

InnoTech Atira double walled drawer system

- ▶ **Quadro V6 drawer runner set**
- ▶ **Full extension runner, load capacity up to 30 kg**

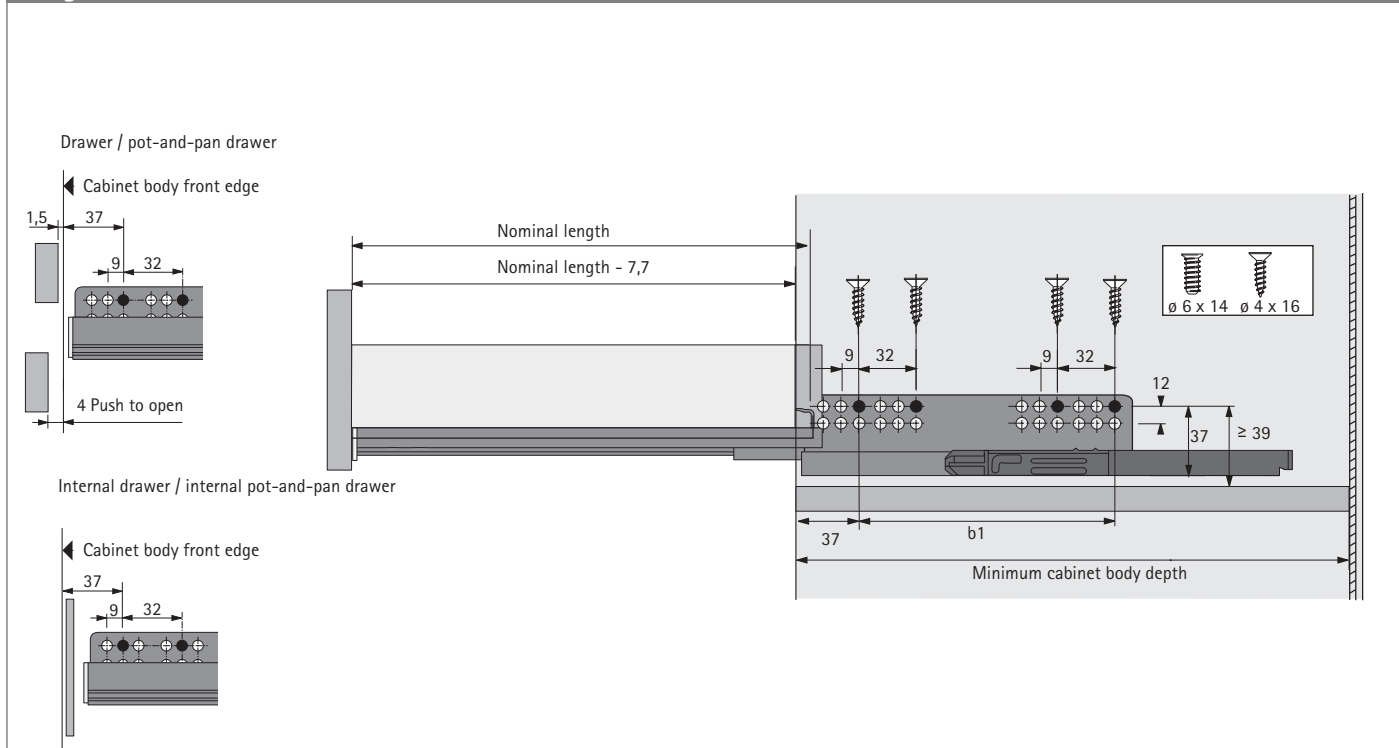


- ▶ Full extension runner
- ▶ Slide on installation
- ▶ Load capacity to EN 15338 Level 3
- ▶ Galvanised steel
- ▶ Includes one pair featuring one left hand runner and one right hand runner

Set of Drawer Runners (installed width EB 12.5)

Nominal length mm	Order no. Silent system	PU
260	9 318 952	1 set
300	9 318 953	1 set
350	9 318 954	1 set
420	9 318 955	1 set
470	9 318 956	1 set
520	9 318 957	1 set

Lengthwise cross-section

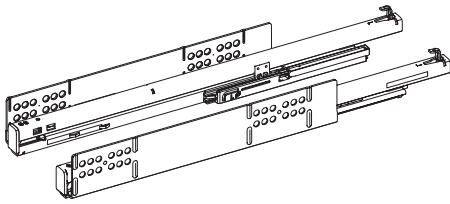


Installation dimensions

Nominal length mm	Hole spacing b1 mm	Drawer / pot-and-pan drawer Minimum cabinet body depth mm	Internal drawer / internal pot-and-pan drawer Minimum cabinet body depth mm
260	160	279	288
300	160	315	324
350	160	365	374
420	224	435	444
470	256	485	494
520	256	535	544

InnoTech Atira double walled drawer system

- ▶ Quadro V6+ drawer runner set
- ▶ Full extension runner, load capacity up to 50 kg

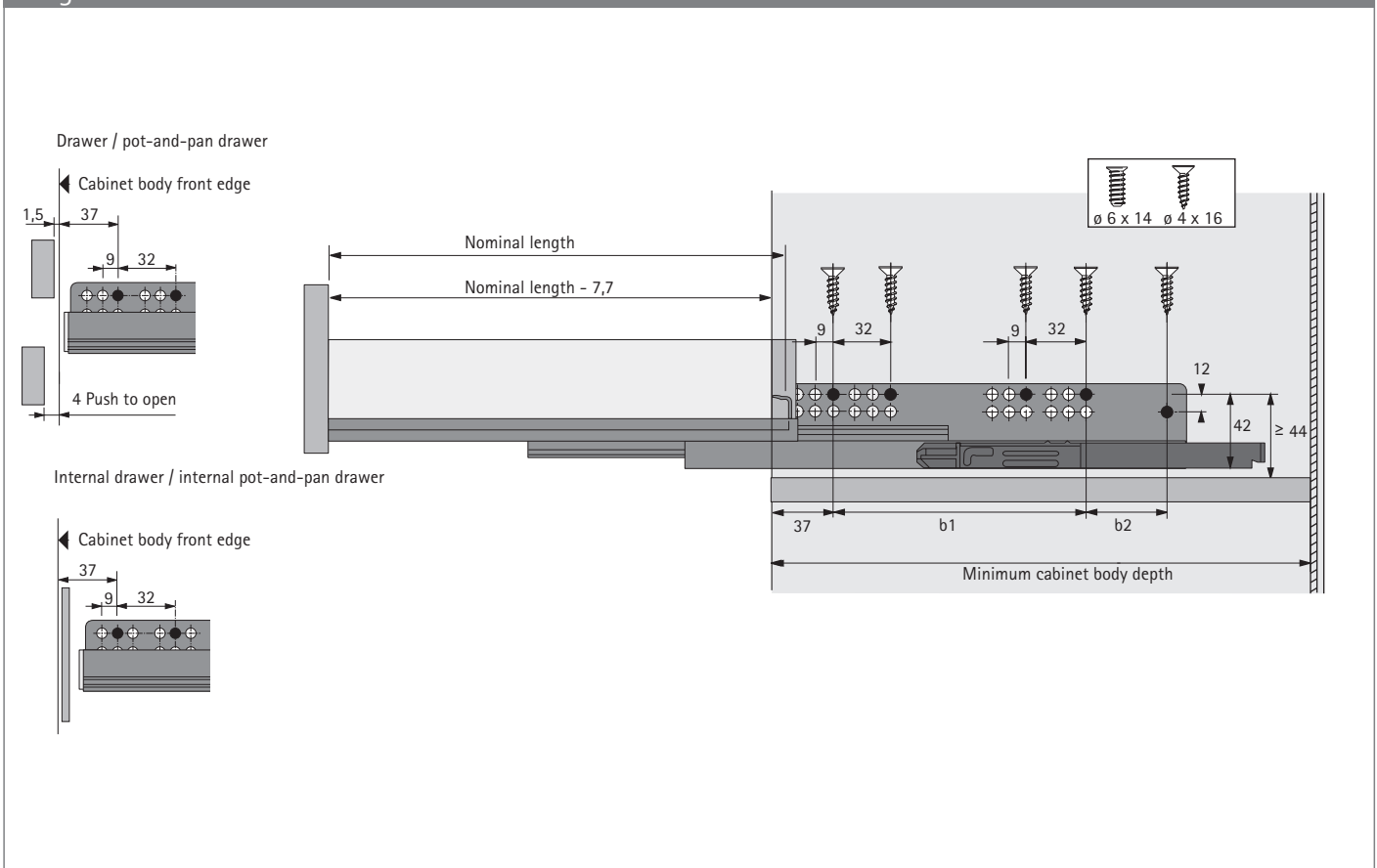


- ▶ Full extension runner
- ▶ Slide on installation
- ▶ Load capacity to EN 15338 Level 3
- ▶ Galvanised steel
- ▶ Includes one pair featuring one left hand runner and one right hand runner

Drawer Runner (installed width EB 12.5)

Nominal length mm	Order no.	PU
	Silent system	
470	9 318 975	1 set
520	9 318 976	1 set

Lengthwise cross-section



Installation dimensions

Nominal length mm	Hole spacing b1 mm	Hole spacing b2 mm	Drawer / pot-and-pan drawer Minimum cabinet body depth mm	Internal drawer / internal pot-and-pan drawer Minimum cabinet body depth mm
470	256		485	494
520	256		535	544



hettich.com/short/8c2567

General technical conditions

The fitting information, screw fixing points and load capacity information contained in this document assume proper attachment using screws specified by Hettich to a chipboard panel providing a screw pull out resistance of at least 1,000 N in accordance with EN 320.

Hettich accepts no responsibility for the load capacity of furniture and its components if materials or fastening methods are used other than those stated; the furniture manufacturer must verify load capacity.

The fitting situations show in this catalogue are only intended to illustrate the possible options. The furniture manufacturer is responsible for ensuring that furniture is designed in compliance with standards, in particular with regard to meeting the requirements on safety.

We will be pleased to provide any further information you may require.

General Terms of Sale and Delivery

All products and services will be provided exclusively on the basis of our General Terms of Sale and Delivery published on our website at www.hettich-agb.com.

Legal notice

© Hettich Marketing- und Vertriebs GmbH & Co. KG
32602 Vlotho, Germany

September 2023

We reserve all rights to this catalogue under copyright law. It shall not be permissible to duplicate this catalogue in any form either in whole or in part without our written consent. Subject to technical alterations. Errors and omissions excepted. Subject to colour variations.

www.hettich.com

Hettich New Zealand
18 Barmac Place
East Tamaki, Auckland

Free Phone: 0800 438 842
sales-nz@hettich.com
shop.hettich.com
designwithhettich.co.nz

DOI September 2023