

# Outdoor

Specialised hardware  
for high exposure applications



# Outdoor hardware by Hettich

► Specialised hardware for high exposure applications



## Specialised cabinetry hardware for the New Zealand outdoors.

This comprehensive hardware range is specially adapted for corrosion resistance, making it ideal for outdoor and other high exposure use. Containing Veosys, a stainless steel hinge, Quadro Compact, a uniquely coated drawer runner, InnoTech Atira powder-coated steel drawers, as well as plastic interior organisation and waste management, you can now take all your favourite indoor kitchen luxuries to outdoor living.

With its new outdoor range Hettich is setting the industry standard on how hard-wearing cabinetry hardware should perform. And its not just for outdoor use. The outdoor range is perfect for any testing conditions, and is great for coastal homes, gyms, spas, wellness centres, and any other high moisture, high salt environments.

# Outdoor hardware by Hettich

## ▶ Specialised hardware for high exposure applications



### Veosys 105° hinge

- ▶ Hinge range
- ▶ Mounting plates and accessories

4 - 6  
7



### InnoTech Atira drawer system

- ▶ Drawer sides
- ▶ Quadro Compact drawer runner
- ▶ Interior organisation and waste management

9 - 25  
26 - 27  
28 - 35



### Technical information

- ▶ Fitting information for Veosys
- ▶ Quality assurance

36 - 37  
38 - 39

# Fast assembly concealed hinge

- ▶ Veosys
- ▶ Range summary



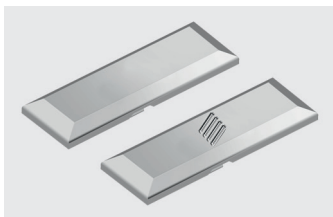
**Veosys 105° hinge**  
105° opening angle

5 - 6



**Mounting plates**

7



**Accessories**

7

# Fast assembly concealed hinge

- ▶ Veosys 105° Stainless steel hinge
- ▶ 105° opening angle, drilling pattern TH 52 x 5.5 mm



- ▶ Concealed hinge with clip on installation and integrated Silent System
- ▶ Quality classification under EN 15570, Level 2
- ▶ Corrosion proof, 120h NSS (neutral salt spray test) to DIN EN ISO 9227
- ▶ For door thickness of 14 - 22 mm
- ▶ Cup diameter 35 mm
- ▶ Cup depth 11.5 mm
- ▶ Integrated overlay adjustment + 2.5 mm / - 2.5 mm
- ▶ Integrated depth adjustment + 2 mm / - 1.5 mm
- ▶ Height adjustment at mounting plate
- ▶ Stainless steel

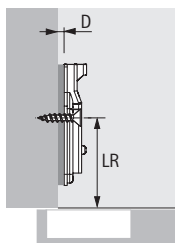
Recommended: fixing material should also be stainless steel

Drilling pattern	full overlay (Base B 11.5 mm)	half overlay (Base B 3 mm)	inset (Base B -6.5 mm)

## With integrated Silent System, with self closing feature

Cup assembly	Mounting hole $\phi \times T$ mm	Order no.			PU
		full overlay	half overlay	inset	
for screwing on	-	9 289 590	9 289 592	9 289 595	200 ea.

## Cross mounting plate for screwing on



- ▶ For 4.5 mm  $\phi$  x 16 mm countersunk screws
- ▶ Quality classification under EN 15570, Level 2
- ▶ Hole spacing 32 mm
- ▶ Oblong hole height adjustment  $\pm 3$  mm
- ▶ Stainless steel

Hole line distance LR mm	Order no. / Distance D mm		PU
	0.0	2.0	
37	9 289 598	9 289 609	200 ea.

# Fast assembly concealed hinge

- ▶ Veosys 105° Stainless steel hinge
- ▶ 105° opening angle

## Minimum reveal per door

Door thickness mm	Cup distance C mm				
	3.0	4.0	5.0	6.0	7.0
14	0.3	0.3	0.2	0.2	0.2
15	0.5	0.5	0.4	0.4	0.4
16	0.7	0.7	0.6	0.6	0.5
17	0.9	0.9	0.9	0.8	0.8
18	1.2	1.1	1.1	1.1	1.0
19	1.5	1.4	1.4	1.3	1.3
20	1.8	1.8	1.7	1.6	1.6
21	2.2	2.1	2.0	2.0	1.9
22	2.6	2.5	2.4	2.4	2.3

Note:

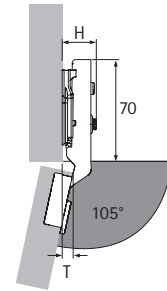
The values in the table refer to doors with an edge radius of 1 mm.

On doors with other radii, the minimum reveal changes as follows:

Radius 0 mm:  
Values in table + 0.4 mm

Radius 3 mm:  
Values in table - 0.6 mm

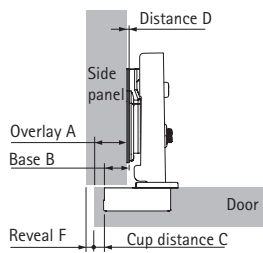
## Protrusions / installed depth



Hinge protrusion H / door protrusion T for distance D = 0 mm and cup distance C = 3 mm

Door mounting option	H mm	T mm
full overlay	20.0	7.5
half overlay	30.0	17.0
inset	37.0	24.0

## Full overlay

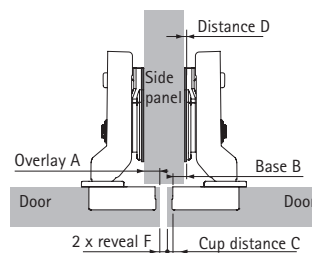


$$\text{Distance D} = C + B - A$$

= cup distance C + 11.5 mm - overlay A

Overlay mm	Cup distance C mm				
	3.0	4.0	5.0	6.0	7.0
Distance D mm					
10	4.5	5.5	6.5	7.5	8.5
11	3.5	4.5	5.5	6.5	7.5
12	2.5	3.5	4.5	5.5	6.5
13	1.5	2.5	3.5	4.5	5.5
14	0.5	1.5	2.5	3.5	4.5
15		0.5	1.5	2.5	3.5
16			0.5	1.5	2.5
17				0.5	1.5
18					0.5

## Half overlay

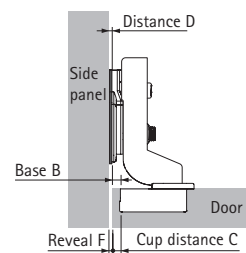


$$\text{Distance D} = C + B - A$$

= cup distance C + 3 mm - overlay A

Overlay mm	Cup distance C mm				
	3.0	4.0	5.0	6.0	7.0
Distance D mm					
0.5	5.5	6.5	7.5	8.5	9.5
1.5	4.5	5.5	6.5	7.5	8.5
2.5	3.5	4.5	5.5	6.5	7.5
3.5	2.5	3.5	4.5	5.5	6.5
4.5	1.5	2.5	3.5	4.5	5.5
5.5	0.5	1.5	2.5	3.5	4.5
6.5		0.5	1.5	2.5	3.5
7.5			0.5	1.5	2.5
8.5				0.5	1.5
9.5					0.5

## Inset



$$\text{Distance D} = C + B + F$$

= cup distance C - 6.5 mm + reveal F

Door thickness mm	Cup distance C mm				
	3.0	4.0	5.0	6.0	7.0
Distance D mm					
14				0.7	
15				0.9	
16			0.1	1.0	
17			0.3	1.3	
18			0.6	1.5	
19			0.8	1.8	
20		0.2	1.1	2.1	
21		0.5	1.5	2.4	
22	0.0	0.9	1.9	2.8	

# Fast assembly concealed hinge

- ▶ Accessories
- ▶ For Veosys

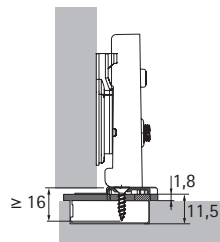
## Cover cap for Veosys hinge arm



- ▶ Suitable for use with Veosys
- ▶ Stainless steel

Version	Order no.	PU
embossed with Hettich logo	<b>9 289 610</b>	200 ea.
neutral	<b>9 289 611</b>	200 ea.

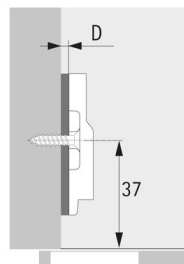
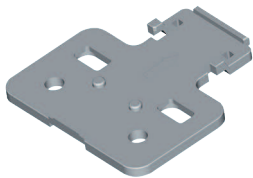
## Adapter for reducing drilling depth



- ▶ To reduce the required depth of the cup drilling in thin or highly softened doors
- ▶ Can be used with hinge cup for screwing on
- ▶ The gap between cabinet body and door increases by the thickness of the adapter
- ▶ Attachment by  $\varnothing 4 \times 16$  mm countersunk screws
- ▶ Transparent plastic
- ▶ Design for drilling pattern TH
- ▶ Thickness 1.8 mm

Order no.	PU
<b>9 306 263</b>	50 ea.

## Parallel adaptor for cross mounting plates



- ▶ For increasing mounting plate distance
- ▶ A trial mounting is recommended
- ▶ Plastic, grey

Distance D mm	Order no.	PU
<b>3,0</b>	<b>9 289 695</b>	50 ea.

Can only be used with Veosys cross mounting plates for screwing on, screw length is defined by the specific configuration

### Supplementary corrosion resistance information for InnoTech Atira with Quadro Compact range

- ▶ Quadro Compact can be combined with the InnoTech Atira drawer system (drawer side profiles, rear panel connectors and lengthwise railings). Suitable for use in compliance with DIN EN 1670, corrosion resistance to level 2.
- ▶ The OrgaTray 440 and OrgaTray 590 cutlery trays can be combined with InnoTech Atira drawers and internal drawers. The cutlery trays are suitable for ambient temperatures from -30°C to +70°C.
- ▶ The OrgaStore 820 partitioning system can be combined with InnoTech Atira pot-and-pan drawers and internal pull-outs. Suitable for use in compliance with DIN EN 1670, corrosion resistance to level 3 and for ambient temperatures up to +70°C.
- ▶ InnoTech Atira can be combined with the InnoTech Pull waste sorting system. Suitable for use in compliance with DIN EN 1670, corrosion resistance to level 3. The waste sorting system bins are suitable for ambient temperatures from -30°C to +90°C.



# InnoTech Atira double walled drawer system

- ▶ Range summary
- ▶ Powder coated steel, silver / white



Drawer, height 54 mm

12



Drawer, height 70 mm

14



Pot-and-pan drawer with railing, height 144 mm

16



Pot-and-pan drawer with railing, height 176 mm

20



TopSide design customisation

23



Internal drawer accessories

24



Quadro Compact drawer runners  
Range summary

26



Interior organisation system  
Range summary

28



Waste systems behind front panels

33

### InnoTech Atira system components

#### Basic components

- 1 Drawer side profile, left and right
- 2 Drawer front connector for drawer side profile
- 3 Rear panel connector
- 4 Cover caps
- 5 Lengthwise railing
- 6 Drawer front connector for lengthwise railing
- 7 TopSide adapter
- 8 TopSide in glass
- 9 TopSide in metal
- 10 Adapter for lengthwise railing

#### Front panel options

- 15 Front panel for internal drawer / internal pot-and-pan drawer
- 16 Aluminium front
- 17 Railing for aluminium front panel
- 18 Connector for aluminium front panel
- 19 Follower for internal front panel
- 20 Front stabiliser

#### Drawer runners

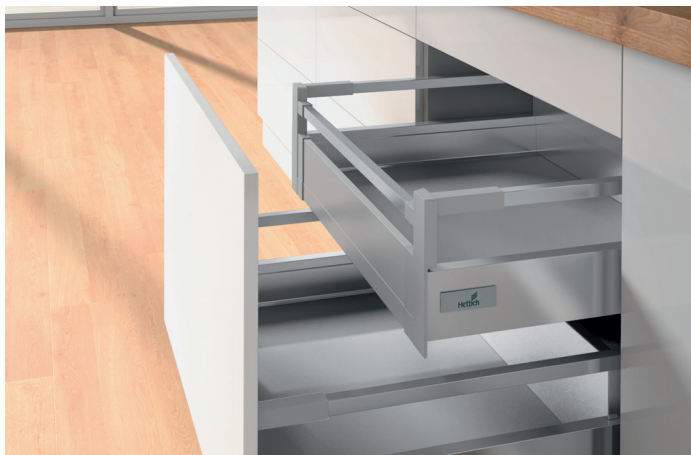
- 23 Quadro Compact drawer runners

#### Wooden elements cut to size

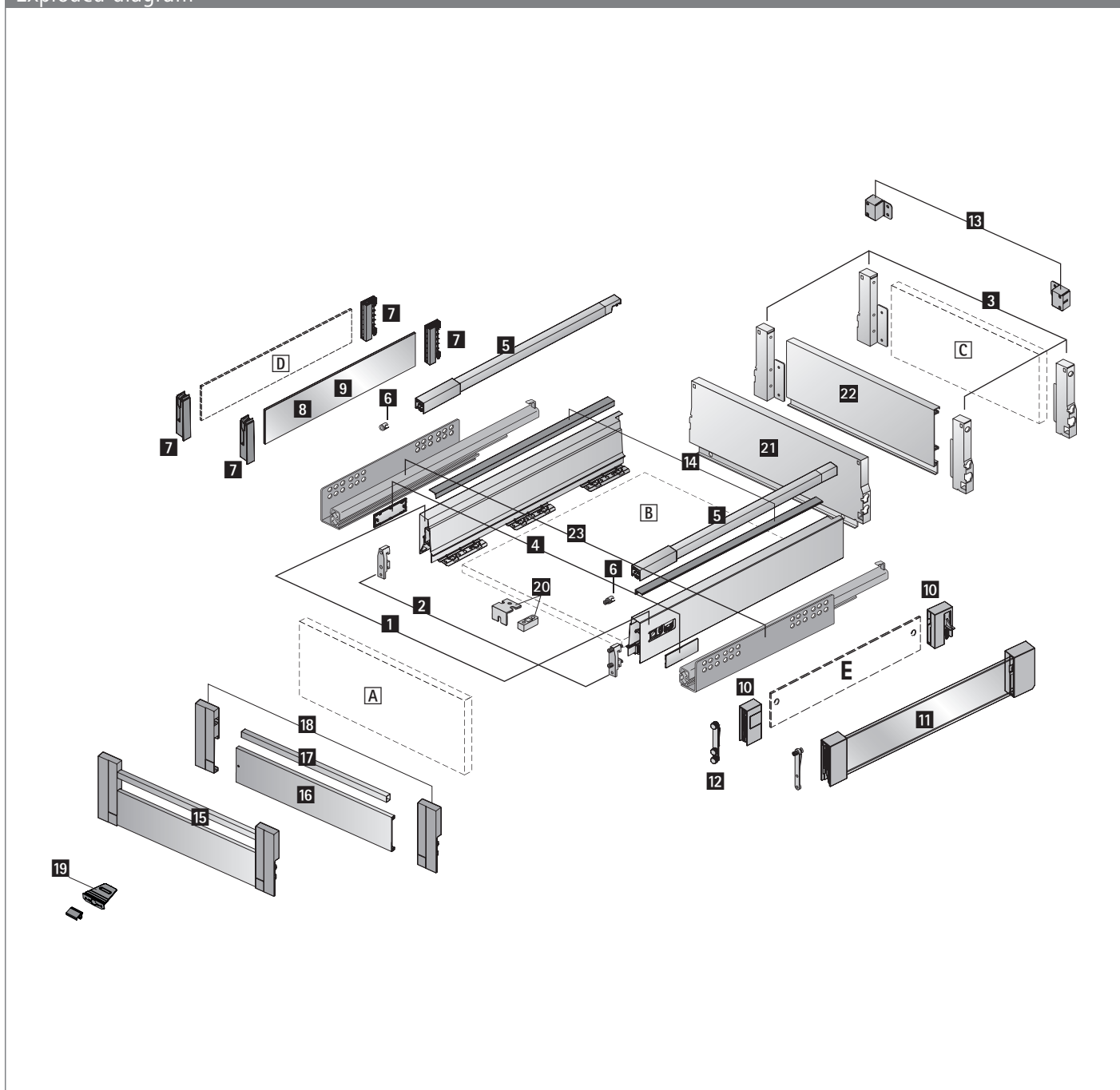
- A Front panel
- B Bottom panel
- C Wooden rear panel
- D TopSide - for use in any chosen material

# InnoTech Atira double walled drawer system

## ► Exploded drawing / overview of components



Exploded diagram



# InnoTech Aтира double walled drawer system

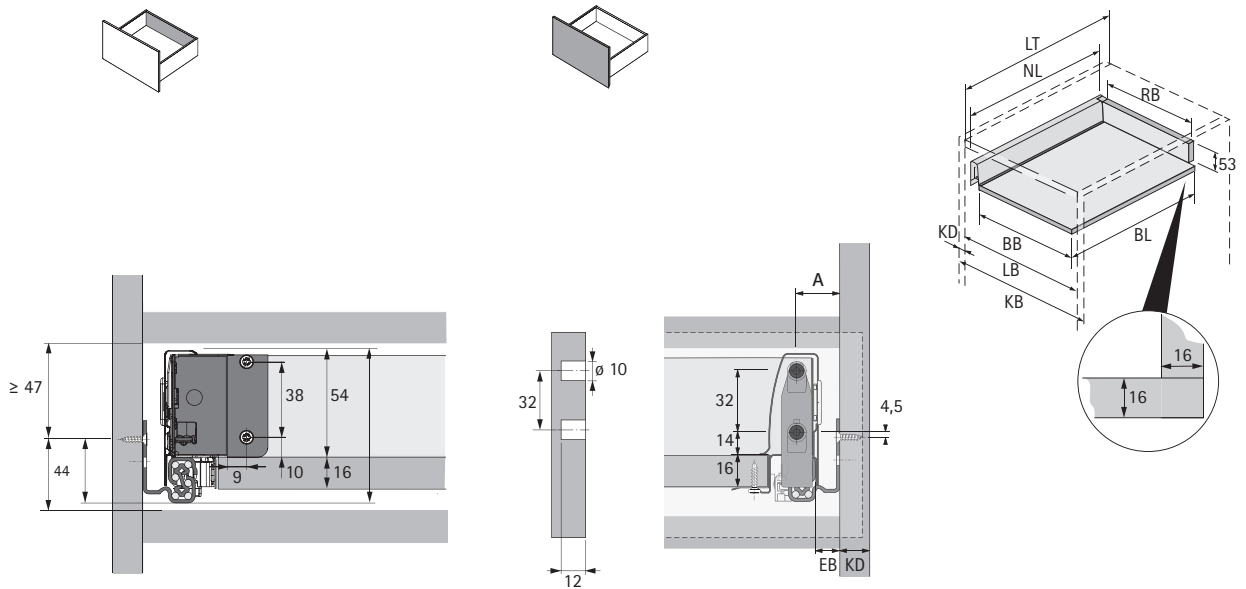
- ▶ Drawer height 54 mm
- ▶ Powder coated steel, silver / white



## Useful Information:

- ▶ 54mm drawers do not come in sets.
- ▶ **Quadro Compact runners will need to be ordered separately, page 26**
- ▶ Corrosion resistant, to DIN EN ISO 1670, Level 3

## Planning / installation dimensions



BB Bottom panel width	RB Rear panel width	LB Clear inside width
BL Bottom panel length	NL Nominal length	LT Clear inside depth
KB Cabinet body width	KD Cabinet body side thicknesses	EB Installation width

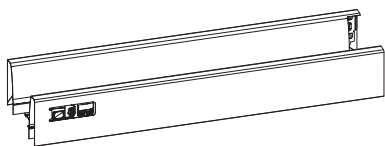
KD	16
EB	12,5
A	23

Dimension	mm
BL	NL + 10
BB	LB - 2 x EB - 51,5
RB	LB - 2 x EB - 63

# InnoTech Atira double walled drawer system

- ▶ Drawer height 54 mm
- ▶ Powder coated steel, silver / white

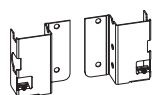
## Drawer side profile, height 54 mm



- ▶ Integrated vertical and lateral adjustment
- ▶ Steel, powder coated

Nominal length mm	Order no. / surface finish / cabinet side				PU
	silver		white		
	left	right	left	right	
470	1 063 801	1 063 802	9 194 432	9 194 433	1/18 ea.

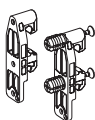
## Rear panel connectors



- ▶ Powder coated steel

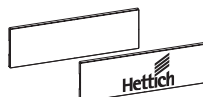
Nominal height mm	Order no. / surface finish / cabinet side				PU
	silver		white		
	left	right	left	right	
54	9 003 473	9 003 474	9 194 623	9 194 624	1/40 ea.

## Drawer front connector for drawer side profile



- ▶ Plastic, white

## Cover caps



- ▶ Plastic

Mounting option	Order no.	PU
for screwing on	1 065 191	1/400 ea.
with expanding socket	1 061 450	1/400 ea.

System colour	Finish	Order no.	PU
silver	grey with Hettich logo	9 194 646	1/300 ea.
silver	grey	9 194 643	1/300 ea.
silver	chrome look with Hettich logo	9 194 652	1/300 ea.
silver	chrome look	9 194 649	1/300 ea.
white	white with Hettich logo	9 194 647	1/300 ea.
white	white	9 194 644	1/300 ea.
white	chrome look with Hettich logo	9 194 653	1/300 ea.
white	chrome look	9 194 650	1/300 ea.



[hettich.com/short/6077da](https://hettich.com/short/6077da)

# InnoTech Aтира double walled drawer system

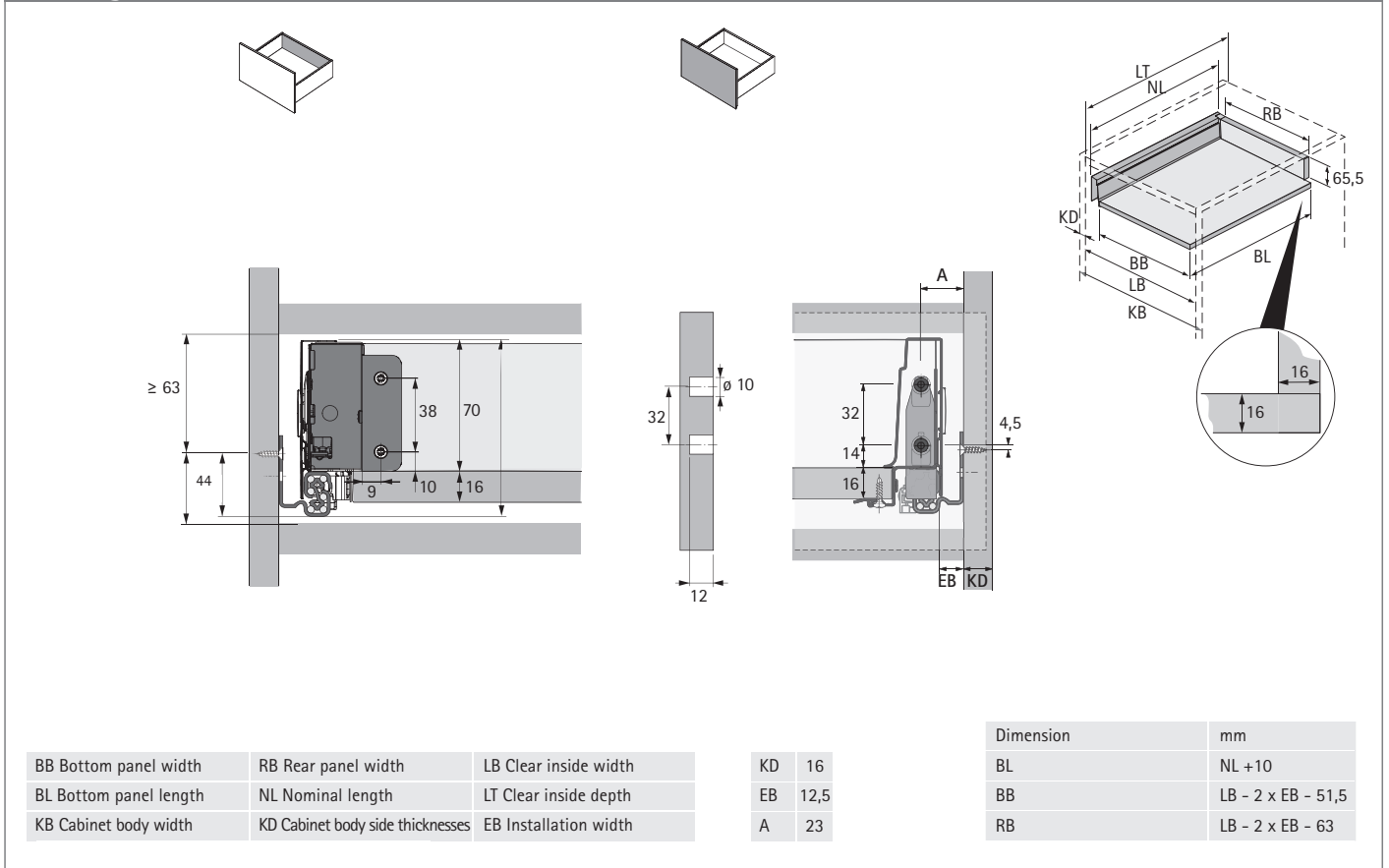
- ▶ Drawer height 70 mm
- ▶ Powder coated steel, silver / white



## Useful Information:

- ▶ **Quadro Compact runners will need to be ordered separately, page 26**
- ▶ Corrosion resistant, to DIN EN ISO 1670, Level 3

## Planning / installation dimensions



## Drawer sets, bulk packaging, excluding Quadro Compact drawer runner

### Drawer set

Set comprises:

- ▶ **1** 1 Drawer side profile, left and right
- ▶ **2** 2 Drawer front connectors with expanding dowel
- ▶ **3** 2 Cover caps, grey plastic with Hettich logo
- ▶ **7** 1 Rear panel connector, left and right

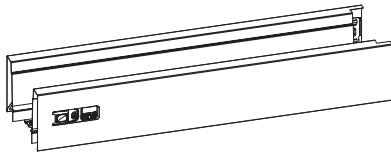
Nominal length mm	Without Quadro Compact Order no.		PU
	Silver	White	
470	9 216 550	9 216 529	18 sets

# InnoTech Atira double walled drawer system

- ▶ Drawer height 70 mm
- ▶ Powder coated steel, silver / white

## Individual components

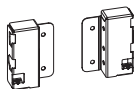
### Drawer side profile, height 70 mm



- ▶ Integrated vertical and lateral adjustment
- ▶ Steel, powder coated

Nominal length mm	Order no. / surface finish / cabinet side				PU
	silver		white		
	left	right	left	right	
470	9 194 398	9 194 399	9 194 412	9 194 413	1/18 ea.

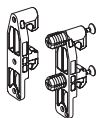
### Rear panel connectors



- ▶ Powder coated steel

Nominal height mm	Order no. / surface finish / cabinet side				PU
	silver		white		
	left	right	left	right	
70	1 062 501	1 062 502	9 194 627	9 194 628	1/40 ea.

### Drawer front connector for drawer side profile



- ▶ Plastic, white

### Cover caps



- ▶ Plastic

Mounting option	Order no.	PU
for screwing on	1 065 191	1/400 ea.
with expanding socket	1 061 450	1/400 ea.

System colour	Finish	Order no.	PU
silver	grey with Hettich logo	9 194 646	1/300 ea.
silver	grey	9 194 643	1/300 ea.
silver	chrome look with Hettich logo	9 194 652	1/300 ea.
silver	chrome look	9 194 649	1/300 ea.
white	white with Hettich logo	9 194 647	1/300 ea.
white	white	9 194 644	1/300 ea.
white	chrome look with Hettich logo	9 194 653	1/300 ea.
white	chrome look	9 194 650	1/300 ea.



[hettich.com/short/13aee4](https://hettich.com/short/13aee4)

# InnoTech Atira double walled drawer system

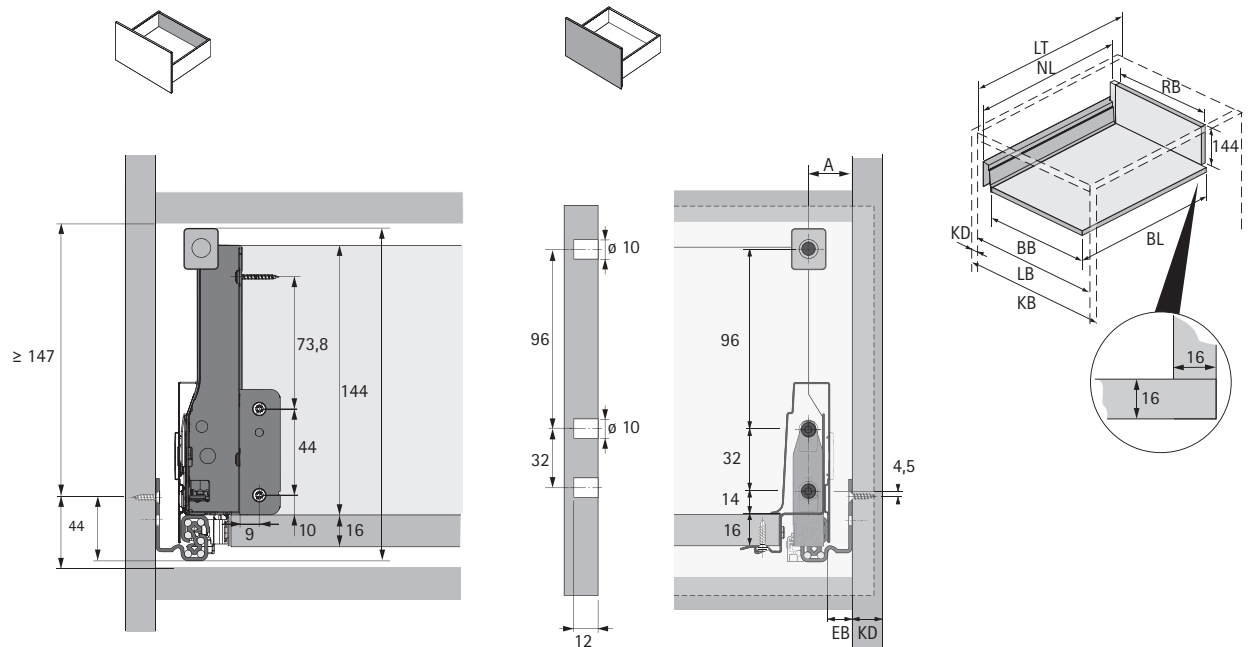
- ▶ Pot-and-pan drawer with railing, height 144 mm
- ▶ Powder coated steel, silver / white



## Useful Information:

- ▶ **Quadro Compact runners will need to be ordered separately, page 26**
- ▶ Corrosion resistant, to DIN EN ISO 1670, Level 3

## Planning / installation dimensions



BB Bottom panel width	RB Rear panel width	LB Clear inside width
BL Bottom panel length	NL Nominal length	LT Clear inside depth
KB Cabinet body width	KD Cabinet body side thicknesses	EB Installation width

KD	16
EB	12,5
A	23

Dimension	mm
BL	NL + 10
BB	LB - 2 x EB - 51,5
RB	LB - 2 x EB - 63

## Drawer sets, bulk packaging, excluding Quadro Compact drawer runner

### Pot-and-pan drawer set with lengthwise railing

#### Set comprises:

- ▶ **1** 1 Drawer side profile, left and right
- ▶ **2** 2 Drawer front connectors for drawer side profile with expanding dowel
- ▶ **3** 2 Cover caps, grey plastic with Hettich logo
- ▶ **6** 1 Lengthwise railing, left and right
- ▶ **5** 2 Drawer front connectors for lengthwise railing with expanding dowel
- ▶ **9** 1 Rear panel connector, left and right

Nominal length mm	Without Quadro Compact Order no.		PU
	Silver	White	
470	9 216 557	9 216 536	18 sets

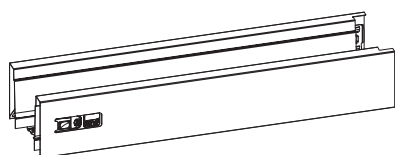


# InnoTech Atira double walled drawer system

- ▶ Pot-and-pan drawer with railing, height 144 mm
- ▶ Powder coated steel, silver / white

## Individual components

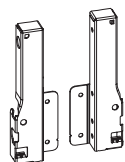
### Drawer side profile, height 70 mm



- ▶ Integrated vertical and lateral adjustment
- ▶ Steel, powder coated

Nominal length mm	Order no. / surface finish / cabinet side				PU
	silver		white		
	left	right	left	right	
470	9 194 398	9 194 399	9 194 412	9 194 413	1/18 ea.

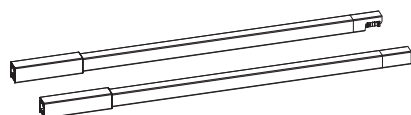
### Rear panel connectors



- ▶ Powder coated steel

Nominal height mm	Order no. / surface finish / cabinet side				PU
	silver		white		
	left	right	left	right	
144	9 007 355	9 007 356	9 194 635	9 194 636	1/40 ea.

### Lengthwise railing



- ▶ Powder coated steel

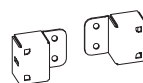
Nominal length mm	Order no. / surface finish / cabinet side				PU
	silver		white		
	left	right	left	right	
470	9 194 530	9 194 531	9 194 544	9 194 545	1/80 ea.

### Drawer front connector for lengthwise railing



- ▶ Plastic, white

### Adapter for lengthwise railing



- ▶ For using a freely positionable lengthwise railing
- ▶ Suitable for use on left or right

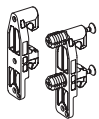
Mounting option	Order no.	PU
for screwing on	9 002 503	1/400 ea.
with expanding socket	1 061 965	1/400 ea.

Order no. / colour		PU
grey	white	
9 206 256	9 206 257	1/80 ea.

# InnoTech Atira double walled drawer system

- ▶ Pot-and-pan drawer with railing, height 144 mm
- ▶ Powder coated steel, silver / white

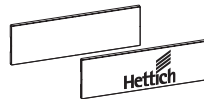
## Drawer front connector for drawer side profile



▶ Plastic, white

Mounting option	Order no.	PU
for screwing on	<b>1 065 191</b>	1/400 ea.
with expanding socket	<b>1 061 450</b>	1/400 ea.

## Cover caps



▶ Plastic

System colour	Finish	Order no.	PU
silver	grey with Hettich logo	<b>9 194 646</b>	1/300 ea.
silver	grey	<b>9 194 643</b>	1/300 ea.
silver	chrome look with Hettich logo	<b>9 194 652</b>	1/300 ea.
silver	chrome look	<b>9 194 649</b>	1/300 ea.
white	white with Hettich logo	<b>9 194 647</b>	1/300 ea.
white	white	<b>9 194 644</b>	1/300 ea.
white	chrome look with Hettich logo	<b>9 194 653</b>	1/300 ea.
white	chrome look	<b>9 194 650</b>	1/300 ea.



[hettich.com/short/6077da](https://hettich.com/short/6077da)



# InnoTech Atira double walled drawer system

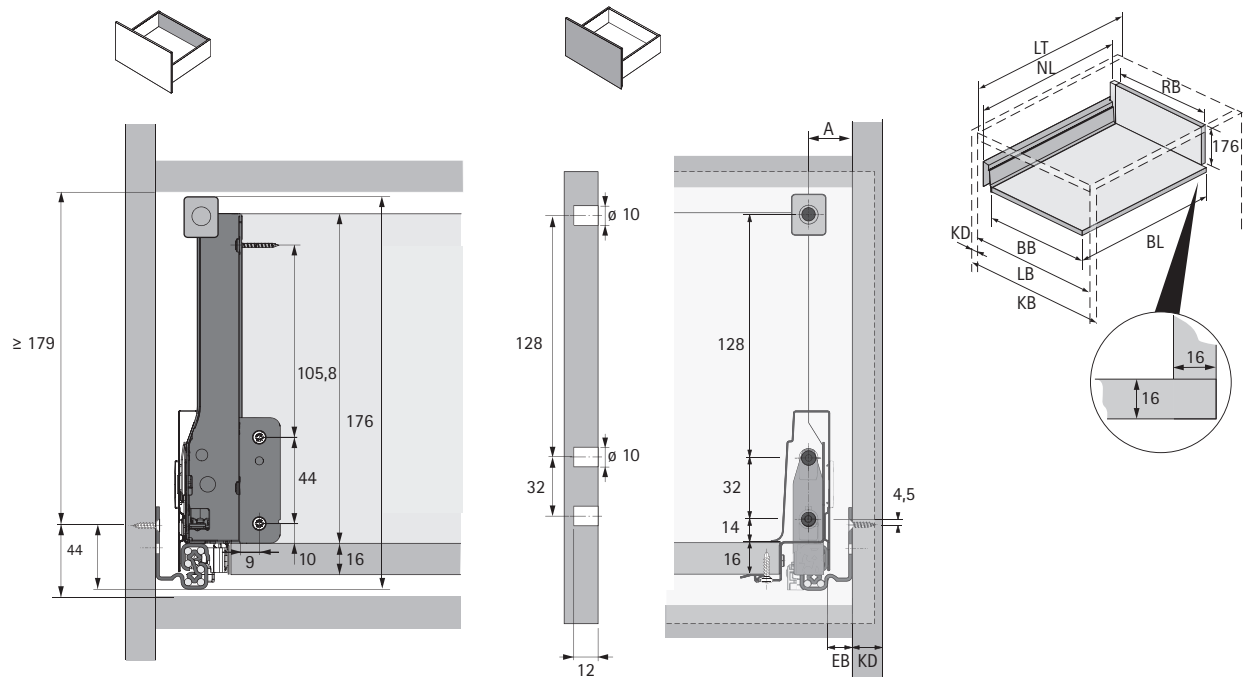
- ▶ Pot-and-pan drawer with railing, height 176 mm
- ▶ Powder coated steel, silver / white



## Useful Information:

- ▶ **Quadro Compact runners will need to be ordered separately, page 26**
- ▶ Corrosion resistant, to DIN EN ISO 1670, Level 3

## Planning / installation dimensions



BB Bottom panel width	RB Rear panel width	LB Clear inside width
BL Bottom panel length	NL Nominal length	LT Clear inside depth
KB Cabinet body width	KD Cabinet body side thicknesses	EB Installation width

KD	16
EB	12,5
A	23

Dimension	mm
BL	NL + 10
BB	LB - 2 x EB - 51,5
RB	LB - 2 x EB - 63

## Drawer sets, bulk packaging, excluding Quadro Compact drawer runner

### Pot-and-pan drawer set with lengthwise railing

#### Set comprises:

- ▶ **1** 1 Drawer side profile, left and right
- ▶ **2** 2 Drawer front connectors for drawer side profile with expanding dowel
- ▶ **3** 2 Cover caps, grey plastic with Hettich logo
- ▶ **6** 1 Lengthwise railing, left and right
- ▶ **5** 2 Drawer front connectors for lengthwise railing with expanding dowel
- ▶ **8** 1 Rear panel connector, left and right

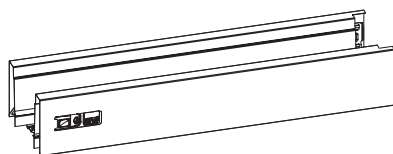
Nominal length mm	Without Quadro Compact Order no.		PU
	Silver	White	
470	9 216 564	9 216 543	18 sets

# InnoTech Atira double walled drawer system

- ▶ Pot-and-pan drawer with railing, height 176 mm
- ▶ Powder coated steel, silver / white

## Individual components

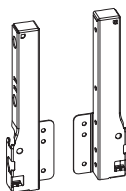
### Drawer side profile, height 70 mm



- ▶ Integrated vertical and lateral adjustment
- ▶ Steel, powder coated

Nominal length mm	Order no. / surface finish / cabinet side				PU
	silver		white		
	left	right	left	right	
470	9 194 398	9 194 399	9 194 412	9 194 413	1/18 ea.

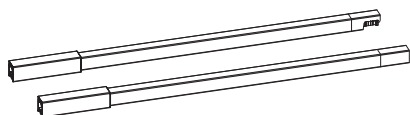
### Rear panel connectors



- ▶ Powder coated steel

Nominal height mm	Order no. / surface finish / cabinet side				PU
	silver		white		
	left	right	left	right	
176	9 027 831	9 027 832	9 194 639	9 194 640	1/40 ea.

### Lengthwise railing



- ▶ Powder coated steel

Nominal length mm	Order no. / surface finish / cabinet side				PU
	silver		white		
	left	right	left	right	
470	9 194 530	9 194 531	9 194 544	9 194 545	1/80 ea.

### Drawer front connector for lengthwise railing



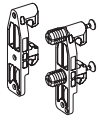
- ▶ Plastic, white

Mounting option	Order no.	PU
for screwing on	9 002 503	1/400 ea.
with expanding socket	1 061 965	1/400 ea.

# InnoTech Atira double walled drawer system

- ▶ Pot-and-pan drawer with railing, height 176 mm
- ▶ Powder coated steel, silver / white

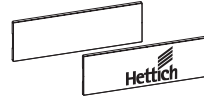
## Drawer front connector for drawer side profile



▶ Plastic, white

Mounting option	Order no.	PU
for screwing on	<b>1 065 191</b>	1/400 ea.
with expanding socket	<b>1 061 450</b>	1/400 ea.

## Cover caps



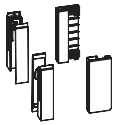
▶ Plastic

System colour	Finish	Order no.	PU
silver	grey with Hettich logo	<b>9 194 646</b>	1/300 ea.
silver	grey	<b>9 194 643</b>	1/300 ea.
silver	chrome look with Hettich logo	<b>9 194 652</b>	1/300 ea.
silver	chrome look	<b>9 194 649</b>	1/300 ea.
white	white with Hettich logo	<b>9 194 647</b>	1/300 ea.
white	white	<b>9 194 644</b>	1/300 ea.
white	chrome look with Hettich logo	<b>9 194 653</b>	1/300 ea.
white	chrome look	<b>9 194 650</b>	1/300 ea.

# InnoTech Atira double walled drawer system

- ▶ Pot-and-pan drawer with railing
- ▶ TopSide, glass and metal

## TopSide adapter



- ▶ For using the **8** TopSide in glass, **9** TopSide in metal or TopSide in any chosen materials
- ▶ Plastic

Set comprises:

- ▶ 1 adapter, front, left and right
- ▶ 1 adapter, rear, left and right

Height mm	Order no. / colour		PU
	grey	white	
144	9 194 657	9 194 658	1 set
176	9 194 660	9 194 661	1 set

## TopSide in glass



- ▶ **7** TopSide adapters must be ordered separately
- ▶ Float glass, clear

Set comprises:

- ▶ 2 TopSides

Height mm	Order no.	PU
144	9 194 667	1 set
176	9 194 674	1 set

## TopSide in metal



- ▶ **7** TopSide adapters must be ordered separately

Set comprises:

- ▶ 2 TopSides

Height mm	Order no. / surface finish		PU
	silver	white	
144	9 194 681	9 194 688	1 set
176	9 194 702	9 194 709	1 set



[hettich.com/short/6077da](https://hettich.com/short/6077da)

# InnoTech Atira double walled drawer system

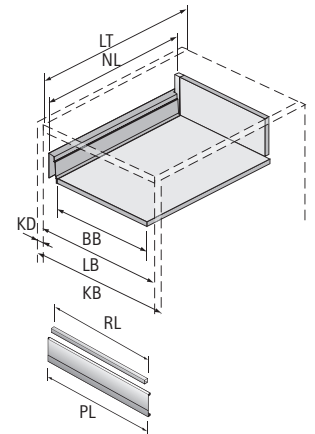
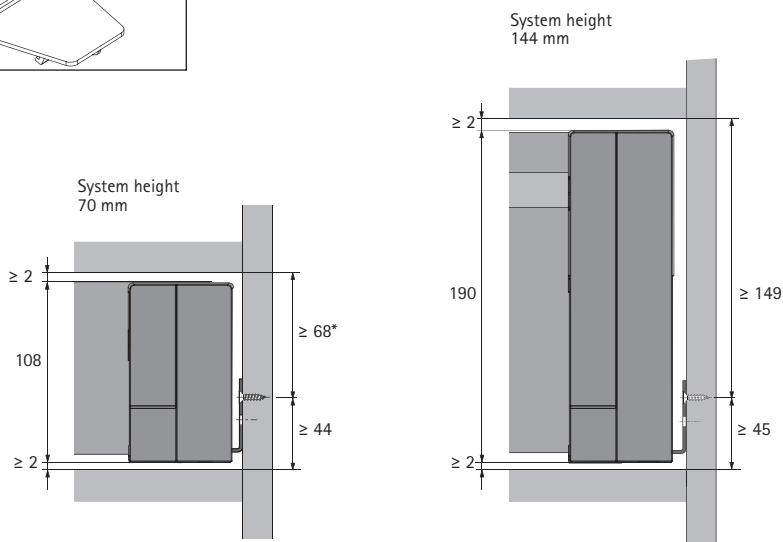
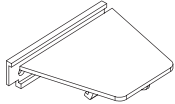
- ▶ Internal drawers/pot-and-pan drawers
- ▶ Powder coated steel, silver/white



- ▶ For nominal height of 70, 144 mm
- ▶ For optional use with catch for front panel
- ▶ Cannot be combined with DesignSide / TopSide
- ▶ **Quadro Compact runners will need to be ordered separately, page 26**
- ▶ Corrosion resistant, to DIN EN ISO 1670, Level 3

## Planning / installation dimensions

\*\*When using the driver for internal front panel  $\geq 93$



KB Cabinet body width	PL Profile length / Front panel width
RL Railing length	LB Clear inside width
NL Nominal length	LT Clear inside depth
KD Cabinet body side thicknesses	EB Installation width

KD	16
EB	12,5
A	23

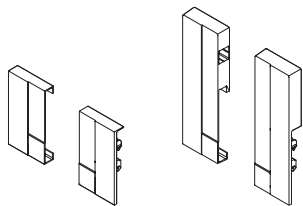
Dimension	mm
PL	LB - 2 x EB - 57,6
RL	LB - 2 x EB - 90,5
LT Internal drawer NL 260	NL + 28
LT Internal drawer > NL 260	NL + 24



# InnoTech Atira double walled drawer system

- ▶ Internal drawers/pot-and-pan drawers
- ▶ Powder coated steel, silver/white

## Connector for front panel



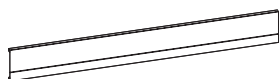
- ▶ For combining with profile for front panel
- ▶ Plastic
- ▶ Please use standard length gallery rail

Set comprises:

- ▶ 1 connector for front panel, left and right

Colour	Order no. / Nominal height mm		PU
	70	144	
silver	9 104 107	9 293 516	1 set
white	9 196 348	9 293 517	1 set

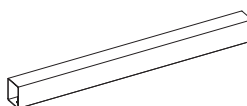
## Aluminium front panel



- ▶ For cutting to length
- ▶ Length 2000 mm
- ▶ Powder coated aluminium

Colour	Order no.	PU
silver	9 194 764	1 ea.
white	9 194 765	1 ea.

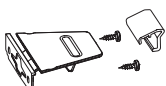
## Railing for front panel



- ▶ For cutting to length
- ▶ Length 2000 mm
- ▶ Powder coated steel

Colour	Order no.	PU
silver	9 194 614	1/30 ea.
white	9 194 615	1/30 ea.

## Catch



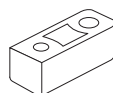
- ▶ For screwing on
- ▶ Plastic

Set comprises:

- ▶ 1 follower
- ▶ 1 profile height increaser
- ▶ Fixing material

System colour	Colour	Order no.	PU
silver / white	grey	9 235 838	1 set

## Front stabiliser



- ▶ For stabilising wide front panels
- ▶ Recommended for use with cabinet bodies in a width of 600 mm and over
- ▶ Plastic, white

Order no.	PU
9 117 782	1/100 ea.



[hettich.com/short/6077da](https://hettich.com/short/6077da)

## InnoTech Aтира double walled drawer system

- ▶ **Quadro Compact drawer runner**
- ▶ **Full extension runner, loading capacity 40 kg**



- ▶ With integrated **Silent System** or **Push to open**
- ▶ Slide on installation
- ▶ Installed width (EB) 12.5 mm
- ▶ Optional: synchronisation / multi synchronisation (upgradable when combined with Push to open user friendly function)
- ▶ Corrosion resistant, 96H NSS to DIN EN ISO 1670, level 3
- ▶ Load capacity to EN 15338, Level 3
- ▶ Custom finish

### Bulk packaging

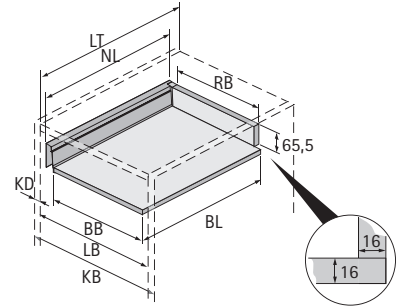
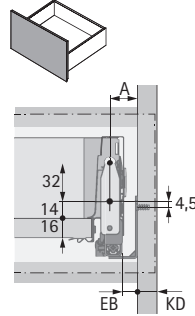
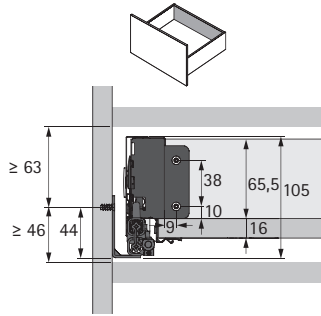
Nominal length / drawer length NL mm	Order no. / User friendly features / Mounting side				PU
	Silent system		Push to open		
	left	right	left	right	
470	9 311 544	9 311 545	9 311 546	9 311 547	16 ea.

# InnoTech Atira double walled drawer system

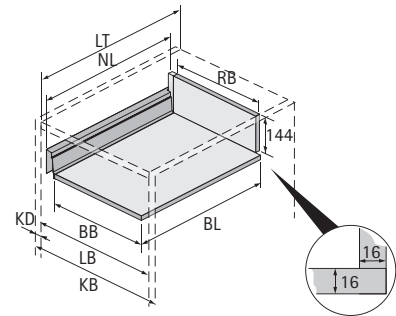
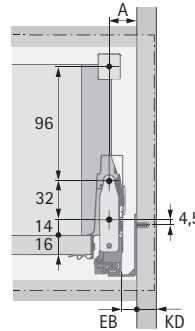
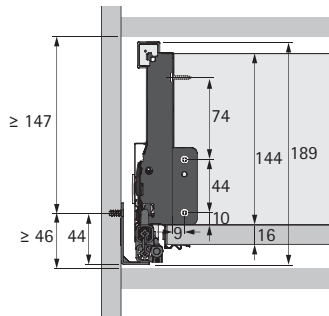
- ▶ Quadro Compact drawer runner
- ▶ Full extension runner, loading capacity 40 kg

## Planning / installation dimensions

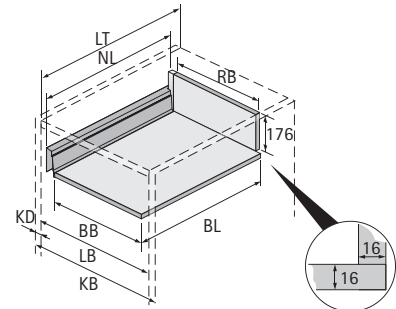
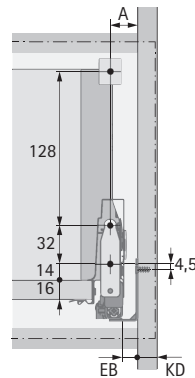
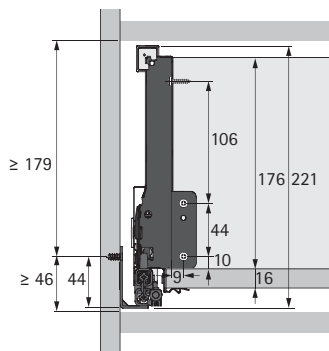
**H70**



**H144**



**H176**



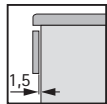
BB Bottom panel width	RB Rear panel width	LB Clear inside width
BL Bottom panel length	NL Nominal length	LT Clear inside depth
KB Cabinet body width	KD Cabinet body side thicknesses	EB Installation width

KD	16	18	19
EB	12,5	10,5	9,5
A	23	21	20

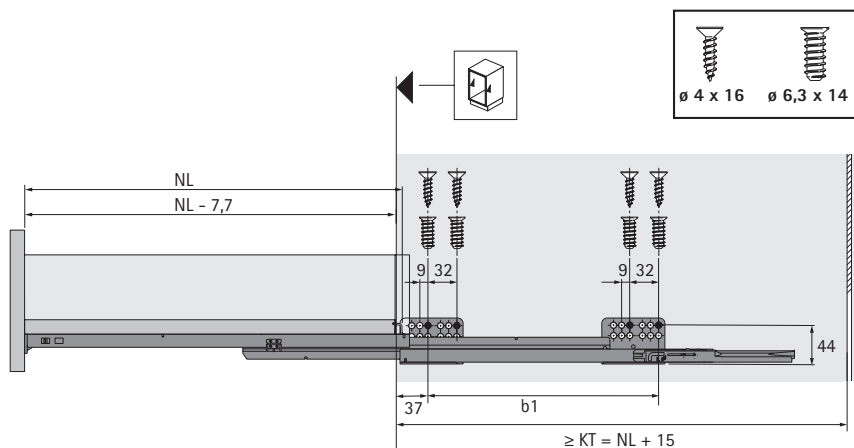
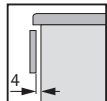
Dimension	mm
BL	NL + 10
BB	LB - 2 x EB - 51,5
RB	LB - 2 x EB - 63

## Side cross section

Silent System



Push to open



NL	KT	b1
470	485	256

NL Nominal length  
KT Cabinet body depth

# InnoTech Atira double walled drawer system

- ▶ Range summary, interior organisation
- ▶ Powder coated steel, white



**OrgaTray 440**  
for drawers / internal drawers

29



**OrgaTray 590**  
for drawers / internal drawers

30



**OrgaStore 410** for pot-and-pan drawers /  
internal pot-and-pan drawers

31



**OrgaStore 820** for pot-and-pan drawers /  
internal pot-and-pan drawers

49

# InnoTech Aтира double walled drawer system

- ▶ Internal organisation system for drawers and internal drawers
- ▶ OrgaTray 440, plastic, Silver/White



- ▶ For general purpose use
- ▶ Plastic.

## OrgaTray 440

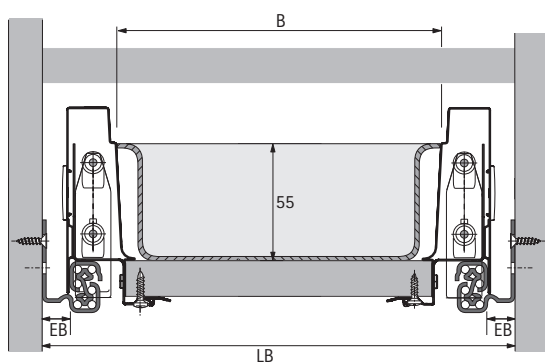
Tray width mm	Minimum cabinet width mm	Nominal width mm	White	Silver	PU
201 - 250	310 - 359	300	9 194 962	9 194 931	1 ea.
251 - 300	360 - 409	350	9 194 963	9 194 932	1 ea.
301 - 350	410 - 459	400	9 194 964	9 194 933	1 ea.
351 - 400	460 - 509	450	9 194 965	9 194 934	1 ea.
401 - 450	510 - 559	500	9 194 966	9 194 935	1 ea.
451 - 500	560 - 609	550	9 194 967	9 194 936	1 ea.
501 - 600	610 - 709	600	9 194 968	9 194 937	1 ea.
601 - 700	710 - 809	700	9 194 969	9 194 938	1 ea.
701 - 800	810 - 909	800	9 194 970	9 194 939	1 ea.
801 - 900	910 - 1009	900	9 194 971	9 194 940	1 ea.
1091 - 1150	1200 - 1259	1200	9 194 973	9 194 942	1 ea.

## Partitioning

D 441 - 520													
W	175-200	201-250	251-300	301-350	351-400	401-450	451-500	501-600	601-700	701-800	801-900	901-1000	1091-1150
NW	275	300	350	400	450	500	550	600	700	800	900	1000	1200

D = Depth    W = Width    NW = Nominal width

## Dimensional drawing



- ▶ Trimmed width (B) = LB - 62
- ▶ When using edge profiles, trimmed width (B) = LB - 64
- ▶ Trimmed depth = nominal length - 7.7

# InnoTech Atira double walled drawer system

- ▶ Internal organisation system for drawers and internal drawers
- ▶ OrgaTray 590, plastic, Silver/White



- ▶ For nominal length 470 mm
- ▶ Suitable for standard cabinet width
- ▶ Plastic, white

Set comprises:

- ▶ 1 plastic cutlery tray
- ▶ Dividing elements for partitioning drawer to suit needs (quantity differs depending on width, see illustration of partitioning)

## OrgaTray, 590

Cabinet width mm	Order no.	Order no.	PU
	Silver	White	
300	9 194 886	9 194 897	1 set
400	9 194 887	9 194 898	1 set
450	9 194 888	9 194 899	1 set
500	9 194 889	9 194 900	1 set
600	9 194 891	9 194 902	1 set
800	9 194 892	9 194 903	1 set
900	9 194 893	9 194 904	1 set
1000	9 194 894	9 194 905	1 set

## Partitioning

NL	D	Partitioning diagrams								
470	462									
W	CW	207	307	357	407	457	507	707	807	907
		300	400	450	500	550	600	800	900	1000

NL = Nominal length    D = Depth    W = Width    CW = Cabinet body width

## Dividing elements



- ▶ For OrgaTray 590

Nominal length mm	Order no.	Order no.	PU
	Silver	White	
68	9 204 229	9 204 230	1/50 ea.
128	9 005 931	9 204 201	1/50 ea.

## InnoTech Atira double walled drawer system

- ▶ Internal organisation system for pot-and-pan drawers and internal pot-and-pan drawers
- ▶ OrgaStore 410, plastic, Silver/White



- ▶ For pot-and-pan drawer or internal pot-and-pan drawer with railing
- ▶ Crosswise railings and lengthwise dividers must be ordered separately
- ▶ It is recommended to fit an anti-slip mat

### OrgaStore 410 cut to size



- ▶ Suitable for customised carcass widths
- ▶ Crosswise railing, adapter and lengthwise divider must be ordered separately
- ▶ B = LB - 65.5
- ▶ Adapter, plastic

Article	Length mm	Silver	White	PU
Crosswise railing	2000	9 194 614	9 194 615	1/30 ea.
Adapter		9 194 617	9 194 619	1/20 ea.

### OrgaStore 410 lengthwise divider



- ▶ Plastic

Silver	White	PU
9 194 618	9 194 620	1/10 ea.

# InnoTech Atira double walled drawer system

- ▶ Internal organisation system for pot-and-pan drawers and internal pot-and-pan drawers
- ▶ OrgaStore 820, plastic, Silver/White



- ▶ Suitable for standard cabinet width
- ▶ Aluminium profile can be trimmed to suit variable widths
- ▶ Available for cabinet width starting from 300 mm
- ▶ Plastic elements, white

Set comprises:

- ▶ 1 aluminium profile with plastic adapters
- ▶ Plastic dividing elements

## OrgaStore 820 divider



- ▶ Height 125 mm
- ▶ Also available for adding to set

Silver	White	PU
9 194 867	9 182 230	1/15 ea.

## Adapter



- ▶ Height 125 mm
- ▶ Plugs onto aluminium profile without the need for tools
- ▶ 2 adapters are required for a set

Silver	White	PU
9 194 866	9 182 233	1/30 ea.

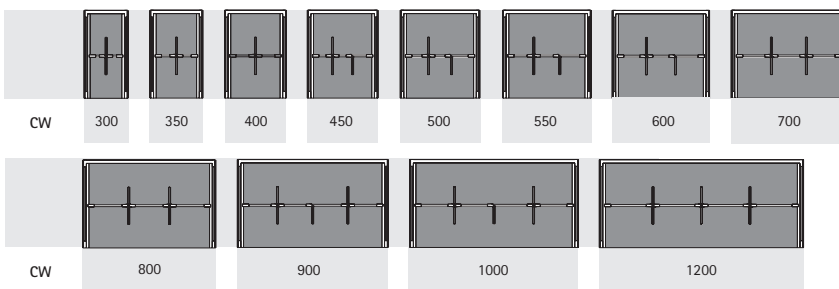
## OrgaStore 820 aluminium profile



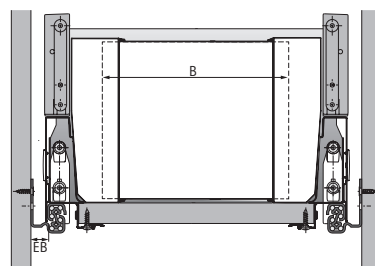
- ▶ Height 120 mm
- ▶ Length 2000 mm
- ▶ Cut to size

Silver	White	PU
9 194 868	9 182 249	1 ea.

## Partitioning



CW = Cabinet body width



▶ B = LB - 97



# InnoTech Atira double walled drawer system

- ▶ Waste collecting systems behind front panels
- ▶ InnoTech Pull



- ▶ Top running waste collector for InnoTech Atira drawer, height 70 mm
- ▶ The InnoTech Pull frame is fitted instead of the drawer base
- ▶ Frame can be equipped as required with various bins and accessories
- ▶ Please order bin separately
- ▶ InnoTech Atira drawer components must be ordered separately
- ▶ Bin system can be used with Quadro Compact full extension Silent System and Push to open
- ▶ Powder coated steel, anthracite

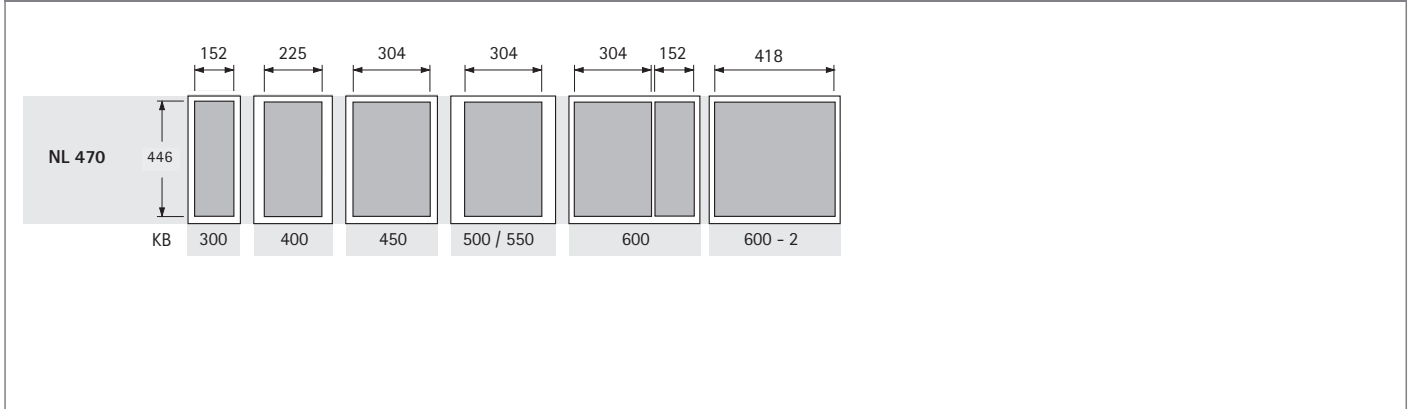
Set comprises:

- ▶ 1 fitted frame including front stay and lid
- ▶ Fixing material

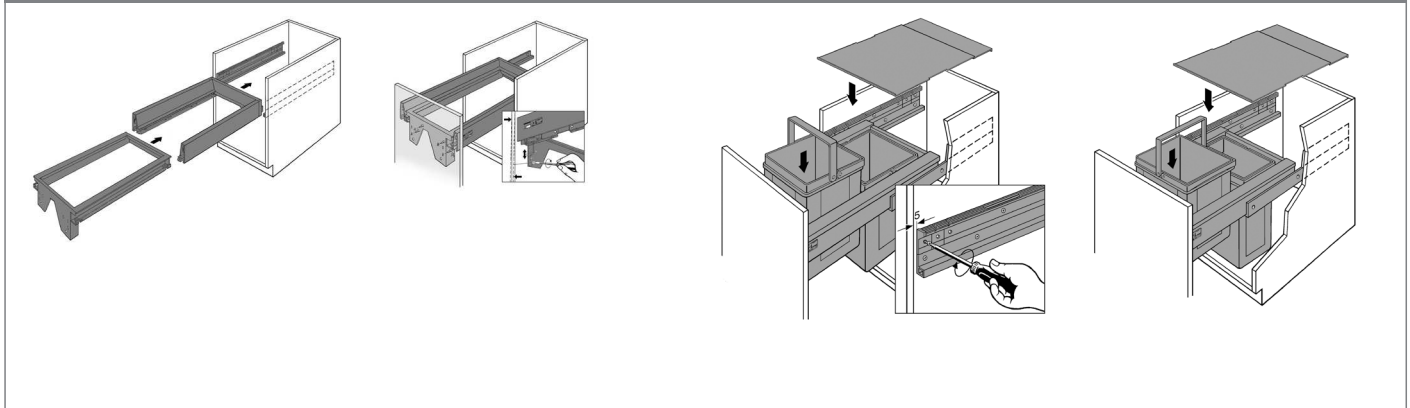
## InnoTech Pull frame

For carcase width mm	Type	Order no. / nominal length	PU
		470	
300		9 279 409	1 set
400		9 279 410	1 set
450		9 279 411	1 set
500		9 279 412	1 set
600		9 279 413	1 set
600	600 - 2 (for 2 x 40 l)	9 279 414	1 set

## Partitioning

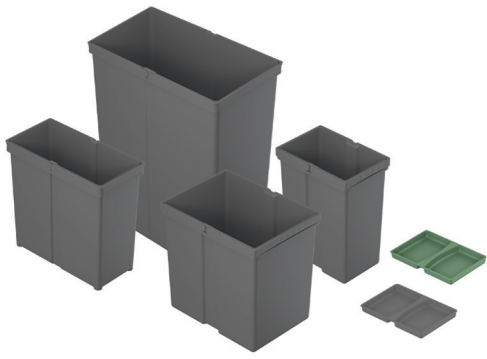


## Installation



# InnoTech Atira double walled drawer system

- ▶ Waste collecting systems behind front panels
- ▶ InnoTech Pull



- ▶ For fitting any chosen component in the InnoTech Pull frame
- ▶ Plastic bin with sturdy double handle
- ▶ As standard, all bins are supplied without lid
- ▶ Lids must be ordered separately, see below
- ▶ The lid heights specified below are total dimensions, the overlay height for all lids is 2 mm

Bin						
Article	Material / finish	Width mm	Depth mm	Height mm	Order no.	PU
Bin 8 l	Plastic, anthracite	152	225	295	<b>9 279 390</b>	1 ea.
Bin 11 l	Plastic, anthracite	152	304	295	<b>9 279 391</b>	1 ea.
Bin 17 l	Plastic, anthracite	225	304	295	<b>9 279 392</b>	1 ea.
Bin 29 l	Plastic, anthracite	225	304	460	<b>9 279 393</b>	1 ea.
Bin 40 l	Plastic, anthracite	223	418	505	<b>9 279 394</b>	1 ea.

Lid						
Article	Material / finish	Width mm	Depth mm	Height mm	Order no.	PU
Lid 8 l	Plastic, anthracite	152	225	21	<b>9 279 396</b>	1 ea.
Lid 11 l	Plastic, anthracite	152	304	21	<b>9 279 397</b>	1 ea.
Lid 17 / 29 l	Plastic, anthracite	225	304	21	<b>9 279 398</b>	1 ea.
Lid 40 l	Plastic, anthracite	223	418	21	<b>9 279 399</b>	1 ea.

### Planning dimensions

Bin height mm	X mm	Y mm
295	395	295
460	560	460
505	605	505

# InnoTech Atira double walled drawer system

- ▶ Waste collecting systems behind front panels
- ▶ InnoTech Pull, all-inclusive sets



- ▶ Top running waste collector for InnoTech Atira drawer, height 70 mm
- ▶ The InnoTech Pull frame is fitted instead of the drawer base
- ▶ Frame can be equipped as required with various bins and accessories
- ▶ Please order bin separately
- ▶ InnoTech Atira drawer components must be ordered separately
- ▶ Bin system can be used with Quadro Compact full extension Silent System and Push to open
- ▶ Powder coated steel, anthracite

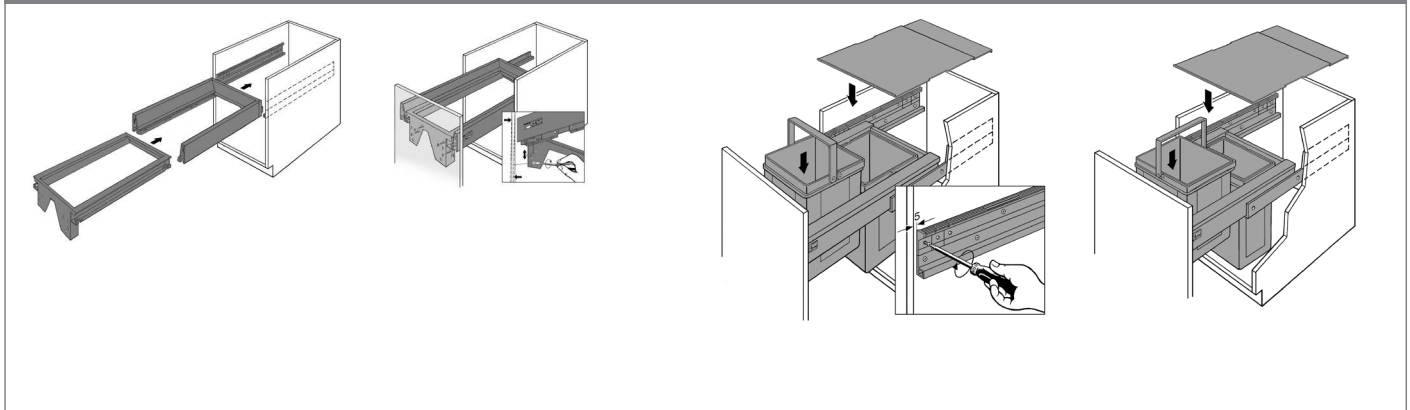
### Set comprises:

- ▶ 1 fitted frame including front stay and lid
- ▶ Bins
- ▶ Fixing material

## InnoTech Pull, all-inclusive sets

For carcase width mm	Capacity bins	Order no.	PU
400	29 l + 8 l	<b>9 304 683</b>	1 set
450	17 l + 17 l	<b>9 304 684</b>	1 set
450	29 l + 29 l	<b>9 304 685</b>	1 set
500	17 l + 17 l	<b>9 304 686</b>	1 set
500	29 l + 29 l	<b>9 304 687</b>	1 set
600	29 l + 29 l + 8 l + 8 l	<b>9 304 688</b>	1 set
600	40 l + 40 l	<b>9 304 689</b>	1 set

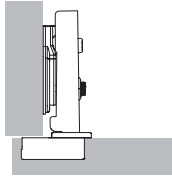
## Installation



# Technical information

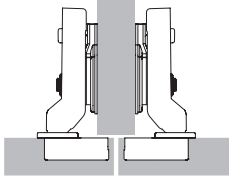
- ▶ Veosys
- ▶ Fitting information

### Full overlay door



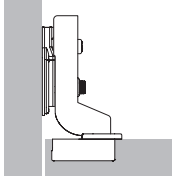
The door is in front of the cabinet side and only a small gap remains at the side within which the door can open reliably. Alternatively, the door can also be fully overlaid. In this case sufficient space must be allowed at the side for the required minimum reveal. Straight hinges are used.

### Half overlay door



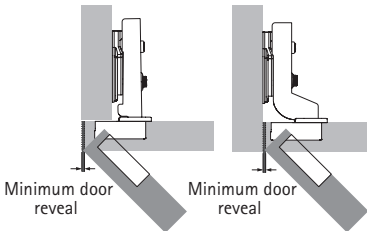
This is where two doors are positioned in front of a cabinet centre panel, with the required overall reveal between them (at least 2 x minimum reveal). In other words, each door has a smaller overlay and cranked hinges are therefore used.

### Inset door



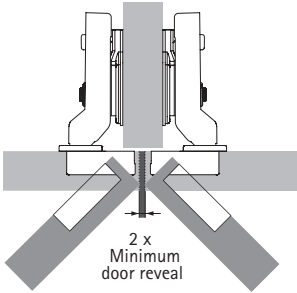
The door is positioned inside the cabinet body, i.e. next to the cabinet body side. Here too, a gap is needed so that the door can open reliably. Highly cranked hinges are used here. For an inset door, the mounting plate must be set back by the thickness of the door + 1 mm as well as by any chosen door offset.

### Minimum reveal



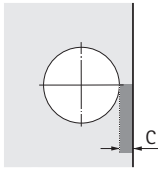
**For overlay and inset door**  
The minimum reveal (also known as the door clearance or minimum clearance) is the space required at the side for opening the door. The size of the minimum reveal depends on the cup distance C, the door thickness and the type of hinge selected. Radii on the door edges reduce the door clearance. The minimum reveal is shown in the table for the respective hinge types.

### Minimum reveal



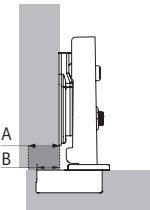
**For half overlay doors**  
The total reveal selected between the doors must be at least twice the door clearance. Both doors can then be opened at the same time.

### Cup distance C



Cup distance C is the distance between door edge and the edge of the cup drilling. The greater the distance selected for cup distance C, the smaller door clearance will be, i.e. the minimum reveal required.

### Overlay / Base



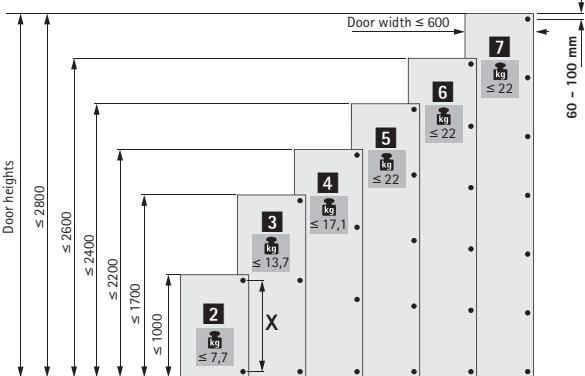
Overlay refers to the projection of the door in front of the cabinet body side. Base refers to the projection of the cup in front of the cabinet body side for a mounting plate distance of 0 mm.

A = Overlay  
B = Base

### Number of hinges per door

Door width, height and weight as well as the material quality of the door are decisive factors determining the number of hinges required.

The factors encountered in practice differ widely from case to case. For this reason, the number of hinges specified in the diagram must be understood as a guide only. If in doubt, it is recommended to carry out a trial mounting and adjust the number of hinges as necessary. For reasons of stability, space X between the hinges must always be made as large as possible. Distance X must be at least 280 mm.



Door height (mm)	Door weight (kg)	Number of hinges
≤ 1000	≤ 7,7	2
≤ 1700	≤ 13,7	3
≤ 2200	≤ 17,1	4
≤ 2400	≤ 22	5
≤ 2600	≤ 22	6
≤ 2800	≤ 22	7

Door width ≤ 600 mm  
Door height range: 60 - 100 mm  
Distance X between hinges: ≥ 280 mm

# Technical information

- ▶ Veosys
- ▶ Fitting information

## General calculation of distances

Mounting plates are available in various distances. The effective height of the mounting plate is defined by distance D. Distance D is embossed on the top of each mounting plate. A larger distance D reduces the overlay for full and half overlay applications. On inset doors, a larger distance D increases the door reveal. Before determining the required distance, check whether the desired reveal is equal to or greater than

the required minimum reveal. If the desired reveal is less than the required minimum reveal, the required minimum reveal can be reduced by increasing cup distance C or by producing radii on the door edges.

### Calculation of distances

#### For overlay and half overlay doors

The required distance D can be determined after checking the minimum reveal. Ideally, door overlay and cup distance should be selected to produce distance D that is available as mounting plate.

#### Example: Distance determined using the table

Overlay = 14 mm and cup distance C = 4.5 mm yield a distance of 3.0 mm.

#### Example: Distance determined using the calculation formula

Hinge for overlay door, basis B = 12.5 mm  
 Distance D = Cup distance C + Basis B - Overlay A  
 Distance D = 4.5 mm + 12.5 mm - 14 mm = 3.0 mm

Intermediate distances not available as mounting plate distances are achieved by adjusting the hinge overlay.

Overlay mm	Cup distance C mm					
	3,0	4,0	4,5	5,0	6,0	7,0
	Distance D mm					
10	5,5	6,5	7,0	7,5	8,5	9,5
11	4,5	5,5	6,0	6,5	7,5	8,5
12	3,5	4,5	5,0	5,5	6,5	7,5
13	2,5	3,5	4,0	4,5	5,5	6,5
14	1,5	2,5	3,0	3,5	4,5	5,5
15	0,5	1,5	2,0	2,5	3,5	4,5
16		0,5	1,0	1,5	2,5	3,5
17			0,0	0,5	1,5	2,5
18					0,5	1,5
19						0,5

### Calculation of distances

#### For inset doors

When calculating the mounting plate distance using the table for inset doors, allowance is automatically made for the reveal that is shown as the minimum reveal produced by cup distance C and door thickness in the table of minimum reveals. If a reveal is to be produced that is larger than this minimum reveal, select a mounting plate distance of the appropriate size.

#### Example: Distance determined using the table

From the table, a door thickness = 20 mm and cup distance C = 4.5 mm produces a mounting plate distance of 1.5 mm. This creates the required minimum reveal of 1 mm, for example. If a reveal of 2.5 mm is required instead, select a mounting plate distance 1.5 mm larger. In this example, that means a distance of 3 mm instead of 1.5 mm.

#### Example: Distance determined using the calculation formula

Hinge for inset application, basis B = - 4 mm  
 Distance D = cup distance C + basis B + reveal F  
 Distance D = 4.5 mm - 4 mm + 1 mm = 1.5 mm

Intermediate values not available as mounting plate distances are achieved by adjusting the hinge overlay.

Door thickness mm	Cup distance C mm					
	3,0	4,0	4,5	5,0	6,0	7,0
	Distance D mm					
15		0,2	0,7	1,2	2,2	3,2
16		0,3	0,8	1,3	2,3	3,3
17		0,4	0,9	1,4	2,4	3,4
18		0,6	1,1	1,6	2,6	3,5
19		0,8	1,3	1,8	2,7	3,7
20	0,1	1,0	1,5	2,0	3,0	3,9
21	0,4	1,3	1,8	2,3	3,2	4,2
22	1,2	1,8	2,2	2,6	3,6	4,5

# Quality criteria

## ► Concealed hinges

### Quality that meets all the demands

#### Quality that meets all the demands

The quality of hinges is subject to a process of continuous monitoring. Hettich fittings comply with the national and international quality standards of the markets our customers operate in. The diagrams below show examples of the principles behind some of the testing processes.

#### Application

Hettich hinges can be used in living room, kitchen, bathroom and office furniture.

#### Load capacity

The quality levels indicated on products comply with the requirements of EN 15570 and satisfy the overload tests at the specified level. We will be pleased to provide any further information you may require.

#### Corrosion test

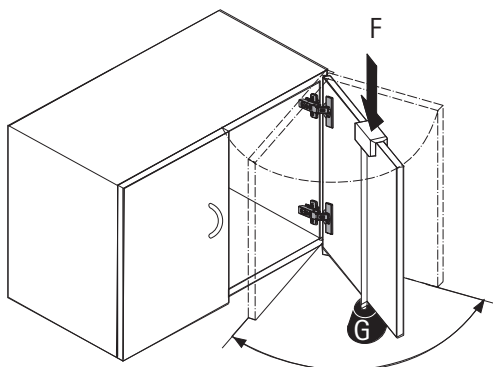
Hettich Veosys hinges satisfy the corrosion requirements under DIN EN ISO 9227-2012 in accordance with the 120 h neutral salt spray test (NSS) as well as DIN EN ISO 6270-2-2012 in accordance with the 120 h alternating condensation water climate test with alternating humidity and temperature (AHT).

#### Quality assurance

The processes for assuring the quality of Hettich hinges are certified under EN ISO 9001, Cert. No. DE8000209.

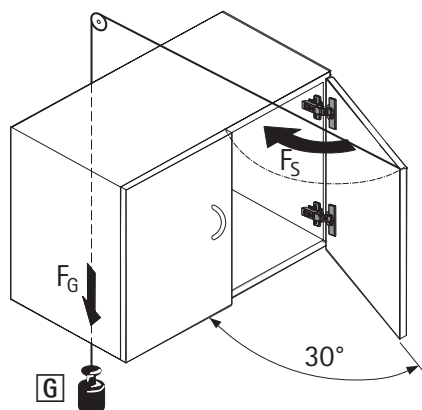
### Endurance test

The door is subjected to a specific number of opening and closing cycles.



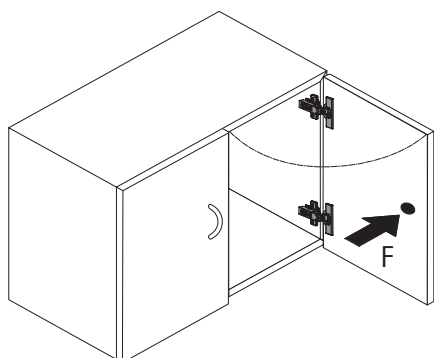
### Closing test

The door is opened by 30° and pushed closed from this position by means of a pulley and falling weight.



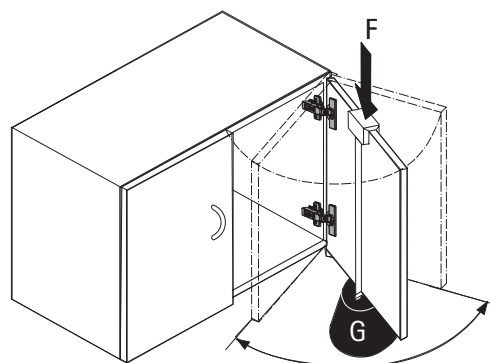
### Horizontal test

The door is over opened with a defined test force F. (This test only applies to hinges with an opening angle < 135°.)



### Vertical test

The door is subjected to a specific number of opening and closing cycles under a defined additional load G.



# Quality criteria

## ► Drawer systems

### Quality that meets all the demands

The quality of the drawer systems is monitored continuously. Hettich fittings comply with the national and international quality standards of the markets our customers operate in. The diagrams below show some of the tests Hettich fittings are required to pass.

#### Application

Hettich drawer systems are suitable for use in living room, kitchen, bathroom and office furniture both in the home and business environment.

#### Load capacity and pull-out guard

The load capacity (to DIN EN 15338) stated in the catalogue is understood to mean the weight of the drawer itself including front panel and contents in kg. The applicable level is shown on the product. Load capacity relates to a reference length of 500 mm. The load capacity may vary for other nominal lengths. All Hettich drawer

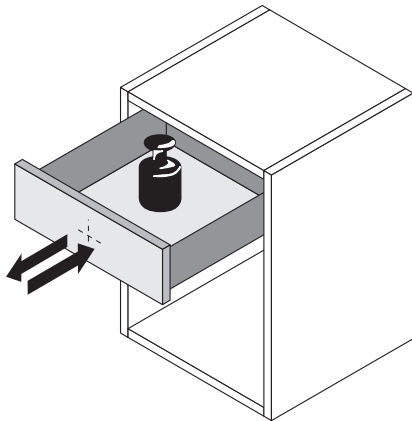
systems feature guards to prevent the drawer from rolling out and being removed unintentionally and meet the requirements of the impact test in a test frame to EN 15338. Fitted in the proper manner, the drawer systems are suitable for furniture defined in EN 14749. The maximum front panel height is governed in particular by material, drawer size and drawer runner. Testing is conducted on drawers with a 130 mm front panel height and pot-and-pan drawers with a 300 mm front panel height. We will be pleased to provide any further information you may require.

#### Corrosion test

Hettich runner systems satisfy the requirements on corrosion defined in EN 15338, 72-hour condensation water test to EN 6270.

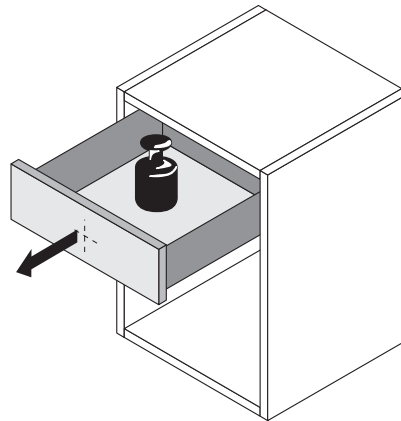
### Wear test

The fully laden drawer must remain in proper working order after a defined number of opening and closing operations at a defined test velocity.



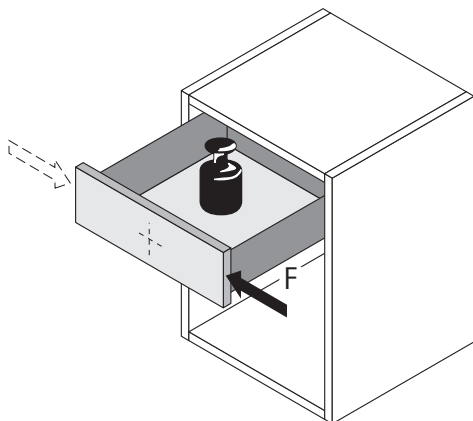
### Retention-on-opening test

The fully laden drawer is abruptly opened all the way several times at a defined test velocity.



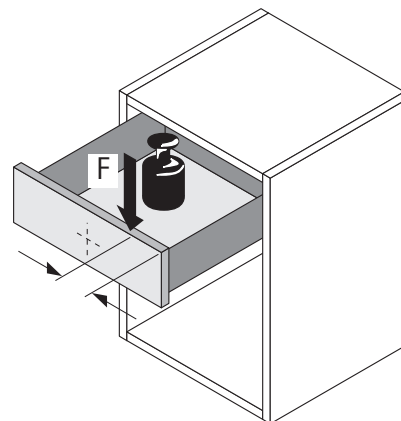
### Horizontal load test

Opened all the way, the fully laden drawer is additionally exposed to horizontal strain with a defined lateral force.



### Vertical strain test

Opened all the way, the drawer is additionally exposed to vertical strain with a defined eccentric force.



Order no.	Page	Order no.	Page	Order no.	Page
1 061 965	17, 21	9 194 887	30	9 289 595	5
1 062 501	15	9 194 888	30	9 289 598	5
1 062 502	15	9 194 889	30	9 289 609	5
1 063 801	13	9 194 891	30	9 289 610	7
1 063 802	13	9 194 892	30	9 289 611	7
1 065 191	13, 15, 18, 22	9 194 893	30	9 289 695	7
1 065 450	13, 15, 18, 22	9 194 894	30	9 293 516	25
9 002 503	17, 21	9 194 897	30	9 293 517	25
9 003 473	13	9 194 898	30	9 304 683	35
9 003 474	13	9 194 899	30	9 304 684	35
9 005 931	30	9 194 900	30	9 304 685	35
9 007 355	17	9 194 902	30	9 304 686	35
9 007 356	17	9 194 903	30	9 304 687	35
9 027 831	21	9 194 904	30	9 304 688	35
9 027 832	21	9 194 905	30	9 304 689	35
9 104 107	25	9 194 931	29	9 306 263	7
9 117 782	25	9 194 932	29	9 311 544	26
9 182 230	32	9 194 933	29	9 311 545	26
9 182 233	32	9 194 934	29	9 311 546	26
9 182 249	32	9 194 935	29	9 311 547	26
9 194 398	15, 17, 21	9 194 936	29		
9 194 399	15, 17, 21	9 194 937	29		
9 194 412	15, 17, 21	9 194 938	29		
9 194 413	15, 17, 21	9 194 939	29		
9 194 432	13	9 194 940	29		
9 194 433	13	9 194 942	29		
9 194 530	17, 21	9 194 962	29		
9 194 531	17, 21	9 194 963	29		
9 194 544	17, 21	9 194 964	29		
9 194 545	17, 21	9 194 965	29		
9 194 614	25, 31	9 194 966	29		
9 194 615	25, 31	9 194 967	29		
9 194 617	31	9 194 968	29		
9 194 618	31	9 194 969	29		
9 194 619	31	9 194 970	29		
9 194 620	31	9 194 971	29		
9 194 623	13	9 194 973	29		
9 194 624	13	9 196 348	25		
9 194 627	15	9 204 201	30		
9 194 628	15	9 204 229	30		
9 194 635	17	9 204 230	30		
9 194 636	17	9 204 230	30		
9 194 639	21	9 206 256	17		
9 194 640	21	9 206 257	17		
9 194 643	13, 15, 18, 22	9 216 529	14		
9 194 644	13, 15, 18, 22	9 216 536	16		
9 194 646	13, 15, 18, 22	9 216 543	20		
9 194 647	13, 15, 18, 22	9 216 550	14		
9 194 649	13, 15, 18, 22	9 216 557	16		
9 194 650	13, 15, 18, 22	9 216 564	20		
9 194 652	13, 15, 18, 22	9 235 838	25		
9 194 653	13, 15, 18, 22	9 279 390	34		
9 194 657	23	9 279 391	34		
9 194 658	23	9 279 392	34		
9 194 660	23	9 279 393	34		
9 194 661	23	9 279 394	34		
9 194 667	23	9 279 396	34		
9 194 674	23	9 279 397	34		
9 194 681	23	9 279 398	34		
9 194 688	23	9 279 399	34		
9 194 702	23	9 279 409	33		
9 194 709	23	9 279 410	33		
9 194 764	25	9 279 411	33		
9 194 765	25	9 279 412	33		
9 194 866	32	9 279 413	33		
9 194 867	32	9 279 414	33		
9 194 868	32	9 289 590	5		
9 194 886	30	9 289 592	5		



### **Special technical conditions for high exposure cabinetry fittings**

The specialised fittings featured in this catalogue are covered within Hettich's limited lifetime warranty and general terms and conditions. Hettich products are at a minimum tested to the requisite international standards for corrosion resistance. However, due to the nature of use, it is expected that fittings utilised in an outdoor setting may still experience corrosion and/or discoloration in some form after a period of time.

In meeting its warranty conditions for product replacement or repair Hettich is guided by the Consumer Guarantees Act 1993 and other New Zealand consumer protection regulation.

### **General technical conditions**

The fitting information, screw fixing points and load capacity information contained in this document assume proper attachment using screws specified by Hettich to a chipboard panel providing a screw pull out resistance of at least 1,000 N in accordance with EN 320.

Hettich accepts no responsibility for the load capacity of furniture and its components if materials or fastening methods are used other than those stated; the furniture manufacturer must verify load capacity.

The fitting situations show in this catalogue are only intended to illustrate the possible options. The furniture manufacturer is responsible for ensuring that furniture is designed in compliance with standards, in particular with regard to meeting the requirements on safety.

We will be pleased to provide any further information you may require.

### **General Terms of Sale and Delivery**

All products and services will be provided exclusively on the basis of our General Terms of Sale and Delivery published on our website at [www.hettich-agb.com](http://www.hettich-agb.com).

### **Legal notice**

© Hettich Marketing- und Vertriebs GmbH & Co. KG  
32602 Vlotho, Germany

April 2023

We reserve all rights to this catalogue under copyright law. It shall not be permissible to duplicate this catalogue in any form either in whole or in part without our written consent. Subject to technical alterations. Errors and omissions excepted. Subject to colour variations.

**DOI April 2023**

**Hettich New Zealand**  
18 Barmac Place  
East Tamaki, Auckland

Ph: 0800 438 842  
[sales-nz@hettich.com](mailto:sales-nz@hettich.com)  
[hettich.com](http://hettich.com)  
[shop.hettich.com](http://shop.hettich.com)  
[designwithhettich.co.nz](http://designwithhettich.co.nz)

