

Cadro

Aluminium frame system

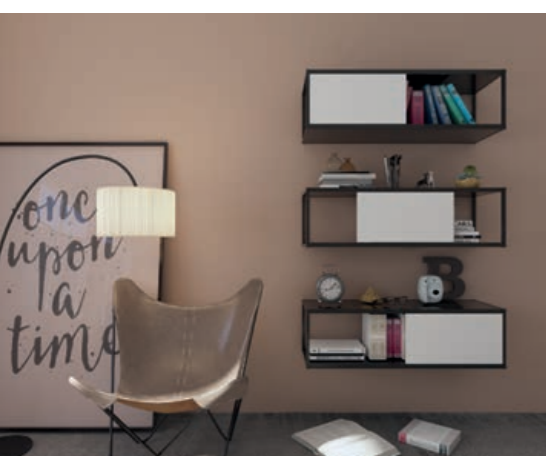


Cadro: the aluminium frame system for endlessly creative design

- ▶ Suitable for use in any application
- ▶ Clean cut, reduced design
- ▶ Whether open or enclosed cabinetry
- ▶ Wall fixed or floor standing
- ▶ Whether standing alone or connecting to existing furniture

The Cadro aluminium frame system uses a variety of aluminium profiles and connecting nodes. The profiles are designed for 16 mm shelves made of materials such as wood, or for 6 mm glass shelves. Glass display cabinet solutions are designed for 4 mm glass. The Cadro assembly aid guarantees components are fitted quickly, easily and with absolute precision.

- The system can be upgraded by adding:
- ▶ LED strip lighting
 - ▶ Feet or castors
 - ▶ A side hung door on Sensys hinge
 - ▶ A sliding door with the SlidLine M fitting
 - ▶ A closed drawer with AvanTech YOU





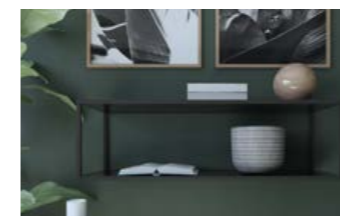
Profiles	
Basic profiles	8 - 9
Sliding doors profiles	10 - 11
Drawers profiles	12 - 13
Glass profiles	14 - 17



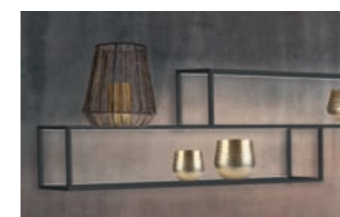
Connecting fittings	
Solutions for hinged doors	18



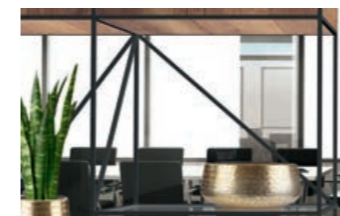
Connecting nodes	20 - 22
-------------------------	---------



Accessories	23 - 33
--------------------	---------



Lighting solutions	
Profiles	35
Connecting nodes	36

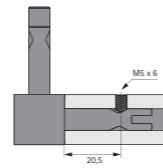
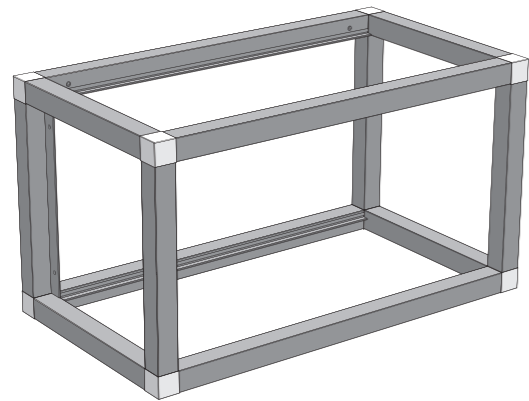


Customised solutions	38 - 40
-----------------------------	---------



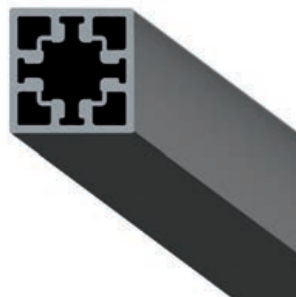
Assembly aids	42
----------------------	----

Base profile



The Cadro frame system consists of various profiles that are connected together with connecting nodes. M5 x 6 mm grub screws are screwed into the connecting nodes for optimum security and stability. For this purpose, a 4.5 mm drill bit for metal is used to drill one hole per connecting arm at a defined distance from the end profile. The Cadro assembly aid (see page 42) can be used to drill the holes for a precise fit.

The Cadro aluminium profiles can be cut to any chosen size. Please note: we recommend fitting a maximum profile length of 1200 mm. Determining the profile length is as easy as this: all nodes have an external dimension of 18.5 x 18.5 mm. For each node, this must be subtracted from the outer dimensions of the furniture as to obtain a profile in the exact cut size. For example, 2 nodes and an outer dimension of 600 mm produce the following size: outer dimension: 600 mm, 2 x nodes: - 37 mm, profile size: 563 mm



Profiles for shelves, bottom panels or sides
-> Page 8 - 9



Connecting nodes
-> Page 20 - 22



Grub screws and other accessories
-> Page 22



Alternative profile attachment
-> Page 24

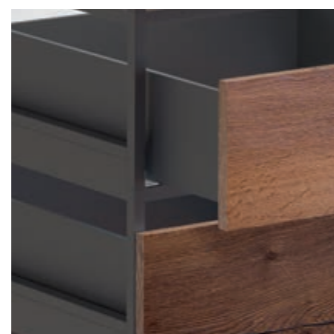


The Cadro range is available in matt black

Cabinetry fittings



Profiles for sliding doors
-> Page 10 - 11

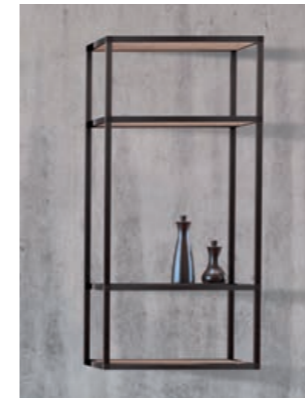


Profiles for drawers
-> Page 12 - 13



Solutions for hinged doors
-> Page 18

Shelves - on their own or in combination with existing furniture



A wide range of attachment solutions are available for mounting Cadro shelf units on the wall
-> page 25 - 27

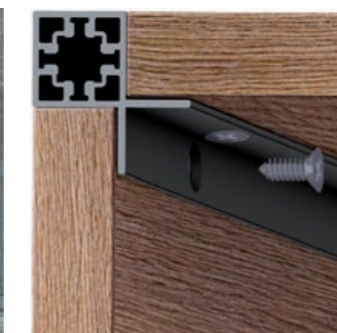
Please observe the following load capacities for shelf modules:
Shelf module W 600mm x D 250mm x H up to 450mm: 8.5 kg per level.
Shelf module W 900mm x D 250mm x H up to 450mm: 12.5 kg per level.
Shelf module W 1200mm x D 250mm x H up to 450mm: 16.5 kg per level.

The maximum recommended shelf width is 1200 mm.
When using shelf units in a depth of greater than 250mm, the maximum load capacity must be checked by the installer on a case by case basis.



Want to combine the Cadro shelf unit with an existing furniture element? You will find the solution on page 25

Other profiles



Side or corner profiles
-> Page 8 - 9



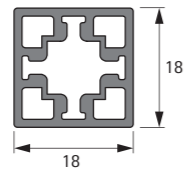
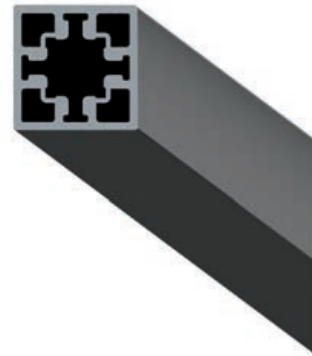
ball bearing locking fixture
-> Page 9

Cadro provides a variety of options for closing off sides and surfaces of a furniture element.



Another option for mounting side panels is to use eccentric systems, such as our VB 35. The eccentric system solution is only visible from one side so as not to spoil the aesthetic appeal of the furniture element. Channels are routed in the chosen side panels in line with the eccentric system dimensions. The holes for the dowels are now drilled on the opposite profile sides.

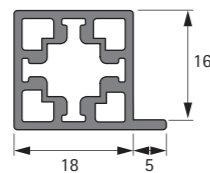
Base profile



- Basic profile, e.g. for use as vertical stay in shelf units
- Length 3000 mm, can be cut to length
- Aluminium

Order no. / Colour	PU
Matt black	
9 298 780	1 ea.

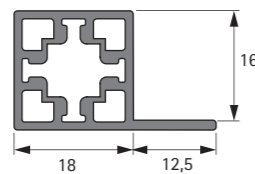
Shelf profile



- For mounting 16 mm shelves
- Length 3000 mm, can be cut to length
- Aluminium

Order no. / Colour	PU
Matt black	
9 298 792	1 ea.

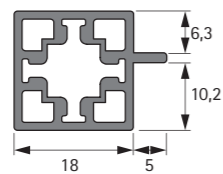
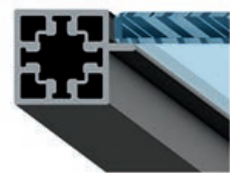
Side / shelf profile for screwing on



- For screw mounting 16 mm shelves
- Length 3000 mm, can be cut to length
- Aluminium

Order no. / Colour	PU
Matt black	
9 298 796	1 ea.

Glass shelf profile / side / shelf profile, grooved

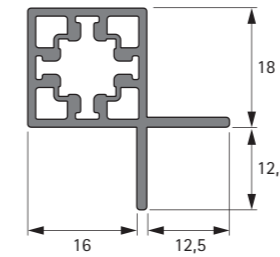


- For fitting 6 mm glass shelves or installing 16 mm grooved wooden shelves
- Length 3000 mm, can be cut to length
- Aluminium

Order no. / Colour	PU
Matt black	
9 298 794	1 ea.



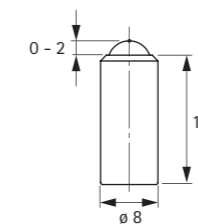
Corner profile for screwing on



- For screw mounting 16 mm shelves
- Length 3000 mm, can be cut to length
- Aluminium

Order no. / Colour	PU
Matt black	
9 303 886	1 ea.

Ball bearing locking fixture



- Alternative way of fitting sides and rear panels
- For recessing into side / rear panel
- With integrated metal spring
- The threaded pin holes (node attachment) can be used for clipping into the Cadro profile
- **Important note: not suitable for load bearing side walls or shelves**
- Stainless steel

Order no.	PU
9 298 863	4 ea.



Cadro is much more than a frame system. Combining it with the Hettich SlideLine M sliding door system produces new furniture creations in a perfect symbiosis of design and functionality. The Cadro sliding door profiles provide the capability of screwing the cabinet shelves directly into place while also serving as a runner and guide profile. Here, sliding doors can be installed as overlay or inset doors.

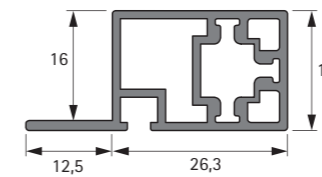


Cadro SlideLine M sliding door profiles for overlay doors



Cadro SlideLine M sliding door profiles for inset doors

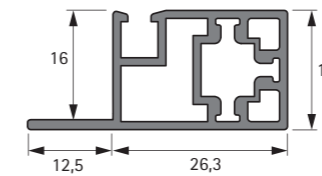
Sliding door profile, inset, top



- Top panel profile for flush fitting sliding door solutions
- Suitable for SlideLine M fitting
- For 16 mm panels, screw on type
- Length 3000 mm, can be cut to length
- Aluminium

Order no. / Colour	PU
Matt black	
9 298 802	1 ea.

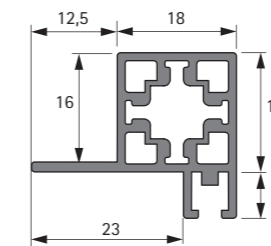
Sliding door profile, inset, bottom



- Bottom panel profile for flush fitting sliding door solutions
- Suitable for SlideLine M fitting
- For 16 mm panels, screw on type
- Length 3000 mm, can be cut to length
- Aluminium

Order no. / Colour	PU
Matt black	
9 298 804	1 ea.

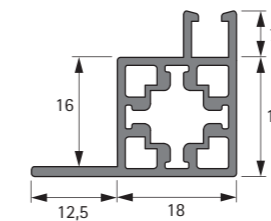
Sliding door profile, overlay, top



- Top panel profile for overlay sliding door solutions
- Suitable for SlideLine M fitting
- For 16 mm panels, screw on type
- Length 3000 mm, can be cut to length
- Aluminium

Order no. / Colour	PU
Matt black	
9 298 798	1 ea.

Sliding door profile, overlay, bottom



- Bottom panel profile for overlay sliding door solutions
- Suitable for SlideLine M fitting
- For 16 mm panels, screw on type
- Length 3000 mm, can be cut to length
- Aluminium

Order no. / Colour	PU
Matt black	
9 298 800	1 ea.

Cadro frame system

► AvanTech YOU / Actro YOU drawer profiles



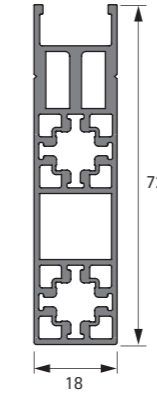
The innovative AvanTech YOU drawer system sets new standards in drawers thanks to its pure design and elegant look. In combination with the Cadro frame system, this produces countless options. AvanTech YOU drawers are easy to fit on the Cadro drawer profile. A small groove in the profile makes sure that the Actro YOU runner is mounted for an exact fit. The runner's cabinet body rail is completely hidden from view once the matching cover profiles are in place. This means it is even possible to produce open shelf unit designs with drawer elements for a visually appealing look with practical functionality. Alternatively, wooden drawers can also be used.



Cadro frame system

► AvanTech YOU / Actro YOU drawer profiles

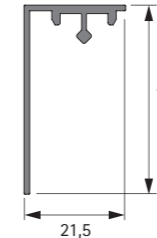
AvanTech YOU / Actro YOU



- For adapting the AvanTech YOU drawer system in combination with the Actro YOU runner
- Max. recommended nominal length (NL) 600 mm
- Length 3000 mm, can be cut to length
- Aluminium

Order no. / Colour	PU
Matt black	
9 298 806	1 ea.

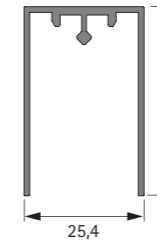
L profile, AvanTech YOU / Actro YOU



- L profile for concealing Actro YOU runner on one side
- The cover profile must be attached to the drawer profile, order no. 9 298 806
- Clip for mounting the cover profile, order no. 9 304 915, please order separately
- Length 3000 mm, can be cut to length
- Aluminium

Order no. / Colour	PU
Matt black	
9 298 808	1 ea.

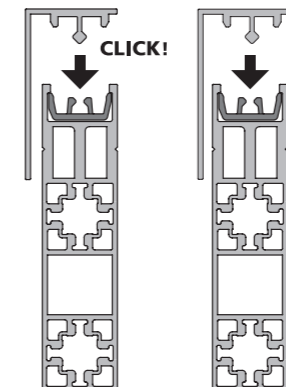
U profile, AvanTech YOU / Actro YOU



- U profile for concealing Actro YOU runner on both sides
- The cover profile must be attached to the drawer profile, order no. 9 298 806
- Clip for mounting the cover profile, order no. 9 304 915, please order separately
- Length 3000 mm, can be cut to length
- Aluminium

Order no. / Colour	PU
Matt black	
9 298 810	1 ea.

Clip for AvanTech YOU / Actro YOU



- Clip for mounting the L and U cover profiles
- The clip simply fits into the top of the basic drawer profile
- We recommend using 3 clips on each drawer side
- Plastic, black

Order no.	PU
9 304 915	30 ea.

Cadro frame system

► Glass display cabinet



Show off your treasured items with stunning effect. The Cadro glass display cabinet system is configured for glass in a thickness of 4 mm and provides everything for making high-quality and practical display cabinets and showcases. Optional lighting is also available here to accentuate display items. The individual components complement each other in terms of function and design, and integrate perfectly into the Cadro frame system.

Glass profiles can be used with either standard or lighting connecting nodes.



Important note:

Maximum recommended glass display cabinet dimensions

Width / Depth	Height
300 mm	1200 mm
400 mm	1100 mm
450 mm	1000 mm
500 mm	900 mm
600 mm	800 mm

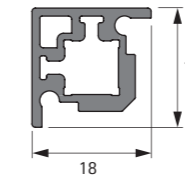
We recommend fitting toughened safety glass

Cadro frame system

► Glass display cabinet

► Profiles

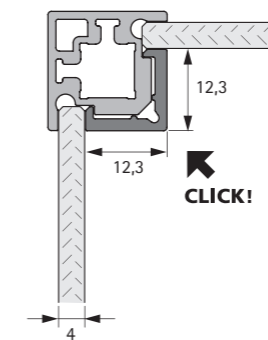
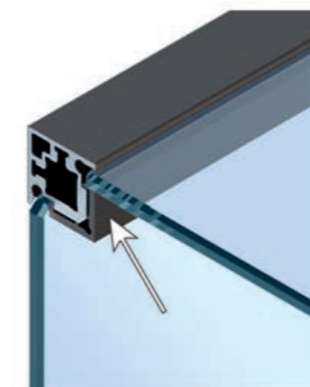
Glass corner profile



- Profile for receiving 4 mm glass elements (toughened safety glass)
- The glass display cabinet can be provided with optional indirect lighting
- Diagonal internal overlay suitable for using standard LED strips in a maximum width of 6 mm
- Please order required clip on corner covering profile separately
- Seals for fixing the glass elements in place, order no. 9 303 926 and 9 303 927, please order separately
- Length 3000 mm, can be cut to length
- aluminium

Order no. / Colour	PU
Matt black	
9 303 912	1 ea.

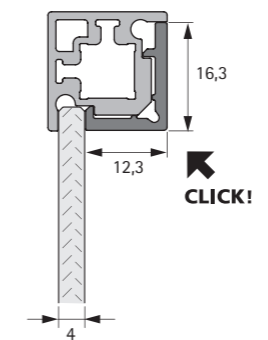
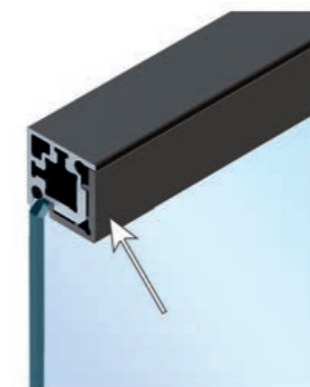
Clip on corner profile, for 2 side



- For fixing two 4 mm glass elements (toughened safety glass)
- For clipping onto the glass corner profile, order no. 9 303 912
- Length 3000 mm, can be cut to length
- Plastic

Order no. / Colour	PU
Matt black	
9 303 918	1 ea.

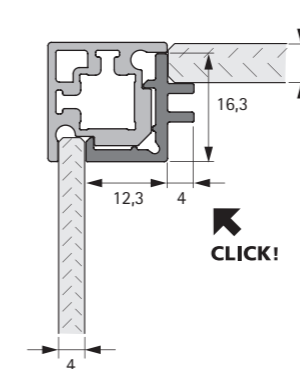
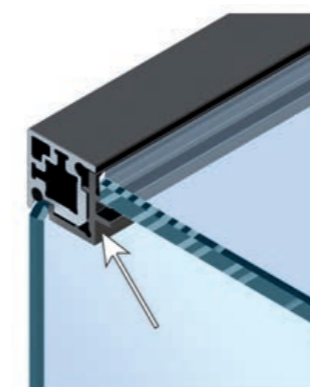
Clip on corner profile, for 1 side



- For fixing a 4 mm glass element (toughened safety glass); the other side of the profile is closed, e.g. for a door panel
- For clipping onto the glass corner profile, order no. 9 303 912
- Length 3000 mm, can be cut to length
- Plastic

Order no. / Colour	PU
Matt black	
9 303 916	1 ea.

Clip on corner profile with overlay



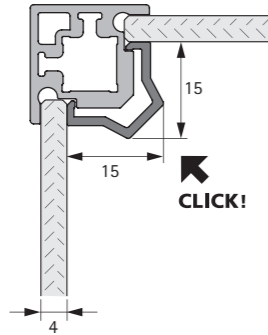
- For fixing a 4 mm glass element (toughened safety glass) on one profile side and for placing a 6 mm glass or plexiglass panel on the other profile side
- For clipping onto the glass corner profile, order no. 9 303 912
- Length 3000 mm, can be cut to length
- Plastic

Order no. / Colour	PU
Matt black	
9 303 920	1 ea.

Cadro frame system

- ▶ Glass display cabinet
- ▶ Profiles

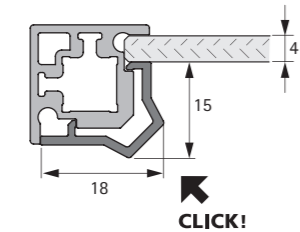
Clip on corner profile for two sides for indirect lighting



- ▶ For fixing two 4 mm glass elements (toughened safety glass) in combination with indirect lighting
- ▶ For clipping onto the glass corner profile, order no. 9 303 912
- ▶ The cabinet interior is illuminated through the translucent cover profile
- ▶ Length 3000 mm, can be cut to length
- ▶ Plastic, translucent

Order no.	PU
9 303 925	1 ea.

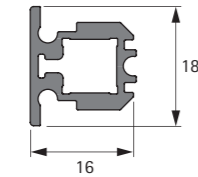
Clip on corner profile for one side for indirect lighting



- ▶ For fixing a 4 mm glass element (toughened safety glass) in combination with indirect lighting; the other side of the profile is closed (e.g. for a door panel)
- ▶ For clipping onto the glass corner profile, order no. 9 303 912
- ▶ The cabinet interior is illuminated through the translucent cover profile
- ▶ Length 3000 mm, can be cut to length
- ▶ Plastic, translucent

Order no.	PU
9 303 924	1 ea.

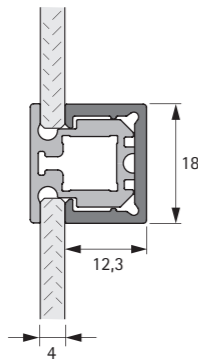
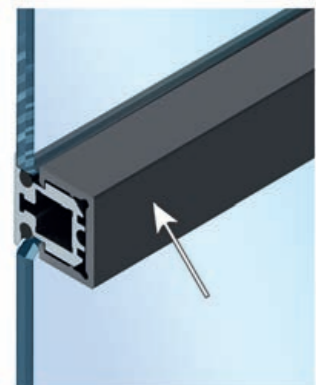
Glass centre profile



- ▶ Profile for connecting two 4 mm glass elements (toughened safety glass) in one plane, vertically or horizontally
- ▶ Please order suitable clip on corner covering profile separately, order no. 9 303 922
- ▶ Seals for fixing the glass elements in place, order no. 9 303 926 and 9 303 927, please order separately
- ▶ Length 3000 mm, can be cut to length
- ▶ aluminium

Order no. / Colour	PU
Matt black 9 303 914	1 ea.

Clip on centre profile



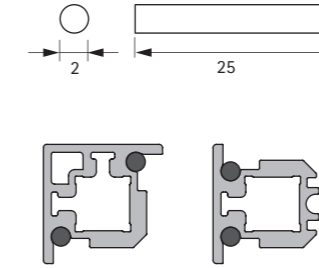
- ▶ For fixing two 4 mm glass elements (toughened safety glass)
- ▶ For clipping onto the glass centre profile, order no. 9 303 914
- ▶ Length 3000 mm, can be cut to length
- ▶ Plastic

Order no. / Colour	PU
Matt black 9 303 922	1 ea.

Cadro frame system

- ▶ Glass display cabinet
- ▶ Seals

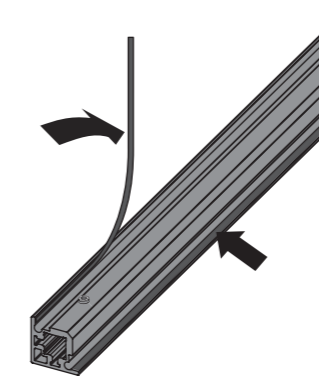
Round cord seal



- ▶ For fitting into the glass corner profile and the glass centre profile
- ▶ The flexible seal protects the glass elements from impacts and vibrations
- ▶ We recommend one sealing section at each end of the profile and at least one additional section every 250 mm
- ▶ The self-adhesive seal, order no. 9 303 927, is also required to fix the glass elements securely in place, please order separately
- ▶ Length 25 mm
- ▶ Silicone, black

Order no.	PU
9 303 926	50 ea.

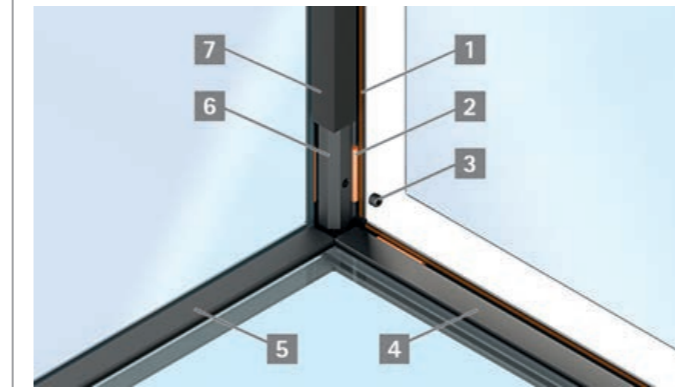
Seal, self adhesive



- ▶ For mounting on the inner sides of the glass corner profile and the glass centre profile
- ▶ The self adhesive seal securely fixes the glass elements in the glass profile
- ▶ Use of the round cord seal, order no. 9 303 926, is additionally required to protect the glass elements from impacts and vibrations, please order separately
- ▶ Width 2 mm
- ▶ Length 50 mm, can be cut to length
- ▶ Plastic, black

Order no.	PU
9 303 927	1 ea.

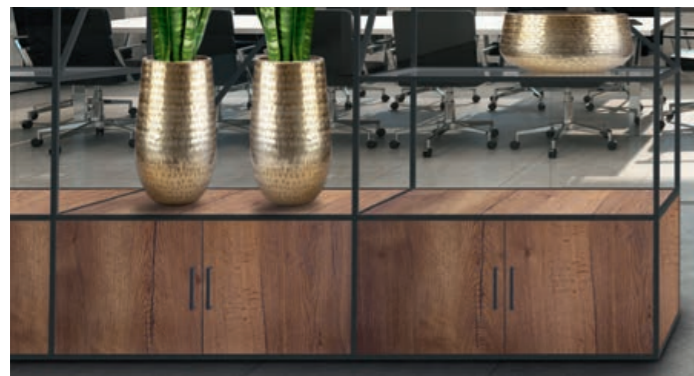
Installation note



- ▶ **1** 9 303 927 seal, self adhesive
- ▶ **2** 9 303 926 round cord seal
- ▶ **3** 9 303 930 grub screw M5 x 4 mm
- ▶ **4** 9 303 920 clip on corner profile with overlay
- ▶ **5** 9 303 916 clip on corner profile, for 1 side
- ▶ **6** 9 303 912 glass corner profile
- ▶ **7** 9 303 918 clip on corner profile, for 2 side

Cadro frame system

► Hinge connection



Hettich Sensys hinges provide a further option for creating your very own individualised piece of furniture. Besides fitting inset doors within the frame, it is also easily possible to mount overlay doors. This also makes it possible to construct furniture elements that are completely closed off.

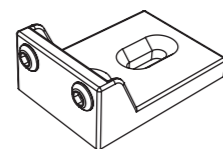


Inset doors
Sensys hinges for inset doors (base B-4) in combination with Sensys cross mounting plates. The mounting plate to select depends on the specific application, e.g. chosen type of reveal.
Example: 1 mm reveal / cup distance C = 4 mm
-> Sensys 110° hinge for inset doors + cross mounting plate distance 3 mm.

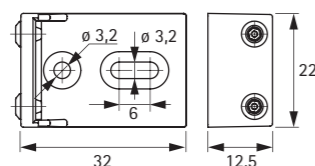


Overlay doors
Sensys hinges for overlay doors (base 12.5 mm) in combination with Sensys cross mounting plates for screwing on (attachment with $\varnothing 4.5 \times 18$ mm countersunk screws). The mounting plate to select depends on the specific application, e.g. chosen type of overlay.
Example: 17 mm overlay / 1 mm reveal / cup distance C = 4.5 mm
-> Sensys 110° hinge for overlay doors + cross mounting plate distance 0 mm.
It may be necessary to line the mounting plates with backing material.

Door mounting for hinged doors



- Prevents hinged doors from going in too far
- For screwing to the cabinet body side panel / top panel
- Plastic



Order no. / colour	PU
Black	
9 303 883	2 ea.

Connecting node, 2-way



- For connecting Cadro profiles
- One Cadro threaded stud per node arm is required for securing it in the profile, order no. 9 298 859, please order separately
- Die-cast zinc

Order no. / Colour	PU
Matt black	
9 298 821	1 ea.

Connecting node, 2-way, with height adjustment capability



- For connecting Cadro profiles
- Including leg, height 4 mm, height adjustable up to 5 mm
- One Cadro threaded stud per node arm is required for securing it in the profile, order no. 9 298 859, please order separately
- Max. load capacity 50 kg / leg
- Die-cast zinc

Order no. / Colour	PU
Matt black	
9 298 823	1 ea.

Connecting node, 3-way, 2D



- For connecting Cadro profiles
- One Cadro threaded stud per node arm is required for securing it in the profile, order no. 9 298 859, please order separately
- Die-cast zinc

Order no. / Colour	PU
Matt black	
9 298 825	1 ea.

Connecting node, 3-way, 2D, with height adjustment capability



- For connecting Cadro profiles
- Including leg, height 4 mm, height adjustable up to 5 mm
- One Cadro threaded stud per node arm is required for securing it in the profile, order no. 9 298 859, please order separately
- Max. load capacity 50 kg / leg
- Die-cast zinc

Order no. / Colour	PU
Matt black	
9 298 827	1 ea.

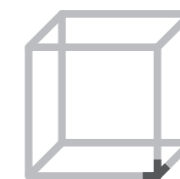
Connecting node, 3-way, 3D



- For connecting Cadro profiles
- One Cadro threaded stud per node arm is required for securing it in the profile, order no. 9 298 859, please order separately
- Die-cast zinc

Order no. / Colour	PU
Matt black	
9 298 829	1 ea.

Connecting node, 3-way, 3D, with height adjustment capability



- For connecting Cadro profiles
- Including leg, height 4 mm, height adjustable up to 5 mm
- One Cadro threaded stud per node arm is required for securing it in the profile, order no. 9 298 859, please order separately
- Max. load capacity 50 kg / leg
- Die-cast zinc

Order no. / Colour	PU
Matt black	
9 298 831	1 ea.

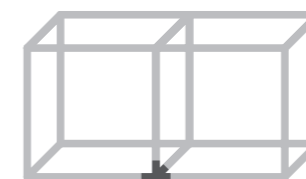
Connecting node, 4-way



- For connecting Cadro profiles
- One Cadro threaded stud per node arm is required for securing it in the profile, order no. 9 298 859, please order separately
- Die-cast zinc

Order no. / Colour	PU
Matt black	
9 298 833	1 ea.

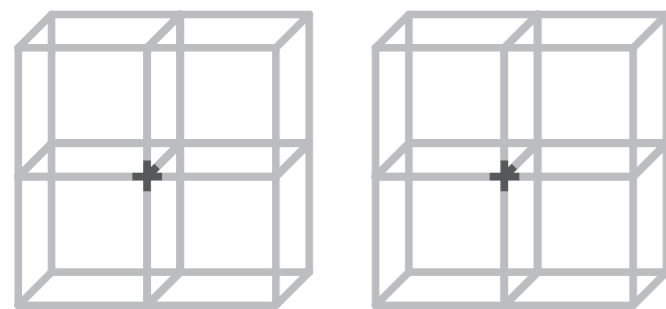
Connecting node, 4-way, with height adjustment capability



- For connecting Cadro profiles
- Including leg, height 4 mm, height adjustable up to 5 mm
- One Cadro threaded stud per node arm is required for securing it in the profile, order no. 9 298 859, please order separately
- Max. load capacity 50 kg / leg
- Die-cast zinc

Order no. / Colour	PU
Matt black	
9 298 835	1 ea.

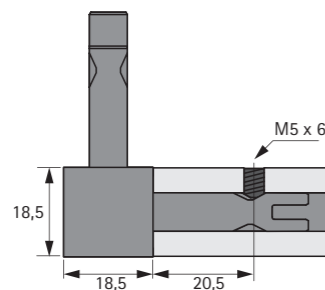
Connecting node, 5-way



- For connecting Cadro profiles
- One Cadro threaded stud per node arm is required for securing it in the profile, order no. 9 298 859, please order separately
- Die-cast zinc

Order no. / Colour	PU
Matt black	
9 298 837	1 ea.

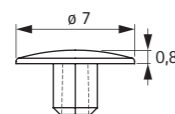
Threaded stud, M5 x 6 mm



- Self tapping grub screw, M5 x 6 mm, DIN 913
- For securely connecting profiles and connecting nodes without any gaps
- The threaded studs fit into the tapered depressions in the node arms
- We recommend using a 4.5 mm metal drill bit for drilling the hole required in the profile
- 0.8 - 1 Nm torque when using a cordless screwdriver
- Steel

Order no. / Colour	PU
Matt black	
9 298 859	25 ea.

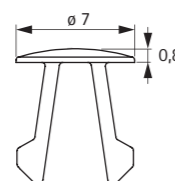
Cover cap for M5 threaded stud



- For covering M5 threaded studs screwed into the profile
- Plastic

Order no. / Colour	PU
black	
9 298 856	25 ea.

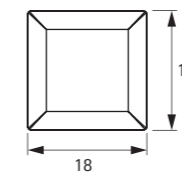
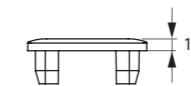
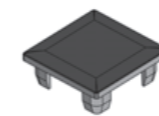
Dummy plug



- Cover clip for concealing \varnothing 4 - 6 mm drill holes in the profile
- Plastic black

Order no.	PU
9 298 858	25 ea.

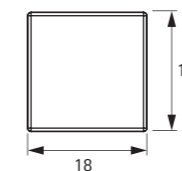
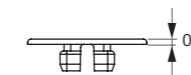
Profile cover cap, standard



- For fitting onto the profile end
- Plastic

Order no. / Colour	PU
black	
9 298 849	1 ea.

Slim profile cover cap



- For fitting onto the profile end
- Plastic

Order no. / Colour	PU
black	
9 298 851	1 ea.

Universal connector

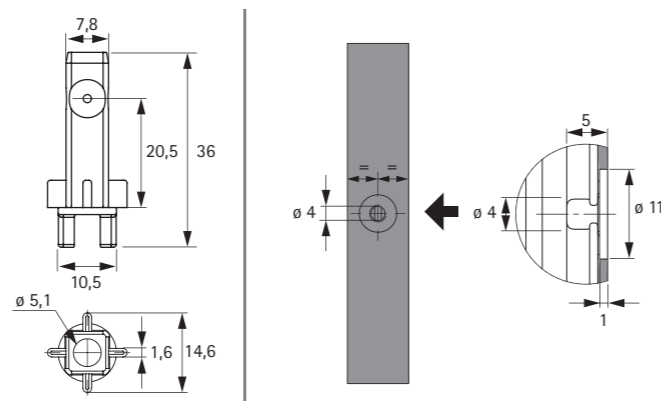


- Makes it possible to connect a profile without nodes on each flat profile side
- Two holes must be drilled in the profile for each universal connector, the universal connector is then gently knocked in and fixed to the profile with the cylinder head screw
- Can also be used for fitting additional cross stays to reinforce a piece of furniture
- One Cadro threaded stud per universal connector is required for securing it in the profile, order no. 9 298 859, please order separately

Set comprises:

- 4 universal connector, die-cast zinc
- 4 M5 x 35 mm cylinder head screw, galvanised steel

Order no.	PU
9 298 862	1 set

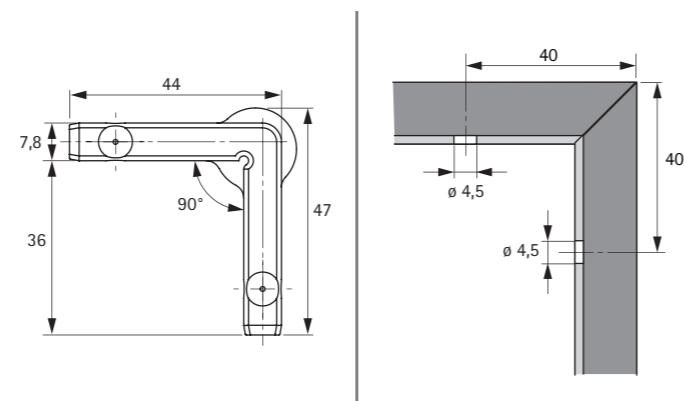


Corner connector, mitred at 90°

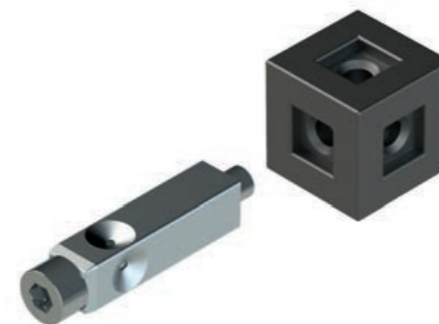


- For connecting Cadro profiles at right angles without nodes, e.g. for constructing frames
- The profile ends must be mitred and the corner connector pushed in and fixed securely in place with threaded studs
- One Cadro threaded stud per corner connector arm is required for securing it in the profile, order no. 9 298 859, please order separately
- Die-cast zinc
- Not compatible with glass cabinet profiles

Order no.	PU
9 298 861	4 ea.

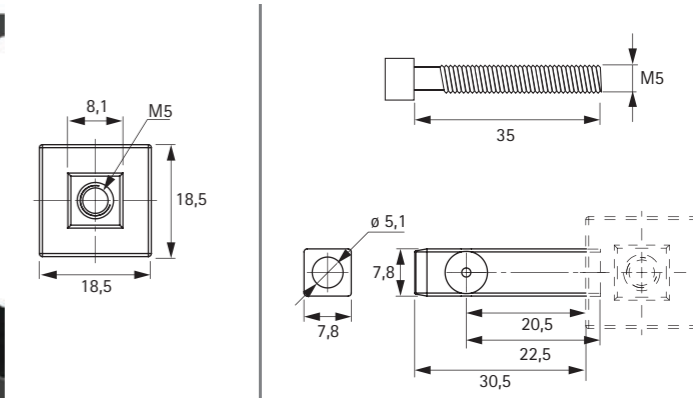
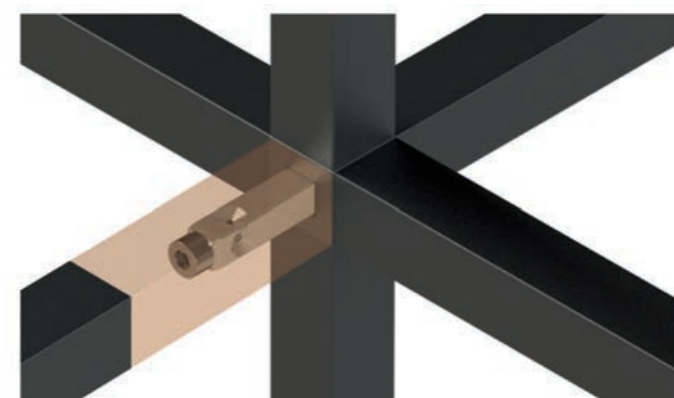


Universal connecting node



- For connecting up to six Cadro profiles
- One pin, including M5 cylinder head screw, order no. 9 303 956, is required for each profile being connected
- The pin must be screwed together with the universal connecting node
- One Cadro threaded stud per pin is required for securing it in the profile, order no. 9 298 859, please order separately
- Connecting nodes and pin: die-cast zinc

Article	Order no.	PU
Universal connecting node, matt black	9 303 954	1 ea.
Pin, including cylinder head screw, galvanised	9 303 956	1 ea.

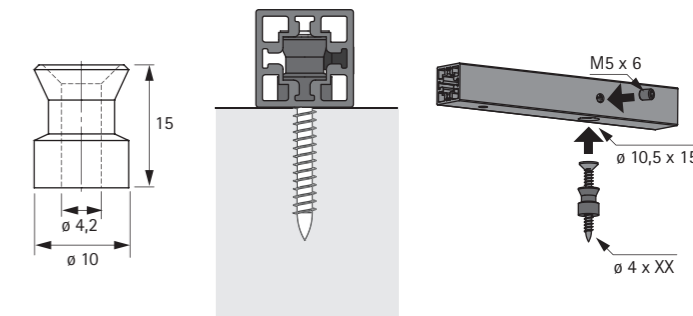
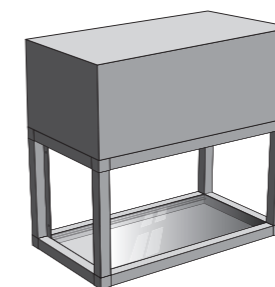
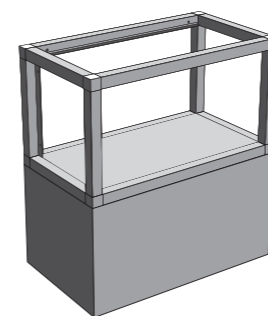


Fixing sleeve



- For connecting the Cadro system to existing furniture elements
- The fixing sleeve must be screwed to the existing furniture element, the predrilled Cadro profile is then positioned and secured by grub screw
- One Cadro threaded stud per fixing sleeve for securing it in the profile, order no. 9 298 859, please order separately
- Fixing screws are not included as they must suit the furniture element concerned
- Used in the proper way, four fixing sleeves provide a maximum load capacity of 30 kg when hanging a Cadro shelf unit on a cabinet.
- stainless steel
- Not compatible with glass cabinet profiles

Order no.	PU
9 298 848	2 ea.



Wall mount, concealed

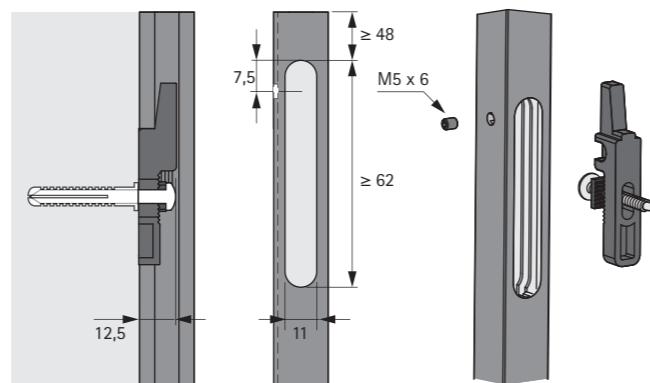
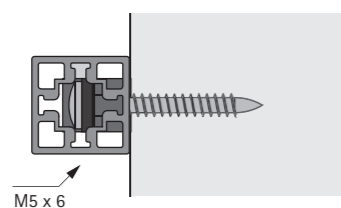
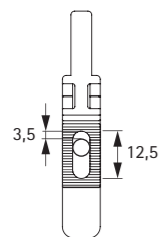


- Concealed wall mount for Cadro profiles
- The Cadro profiles must be routed out and predrilled
- Attach the mount to the wall, then hook on the furniture elements and fix in place
- Precision adjustment capability in height after fitting
- Max. load capacity 60 kg per set
- Please note: the mounting hardware provided is suitable for usual, firm brickwork. Its suitability must be verified on site
- **Not compatible with glass cabinet profiles**

Set comprises:

- 2 wall mounts, galvanised steel
- 2 flat head screws, 4 x 38 mm
- 2 plastic wall plugs, 7 x 35 mm
- 4 threaded studs, M5 x 6 mm, in 2 surface finishes

Order no.	PU
9 298 847	1 set

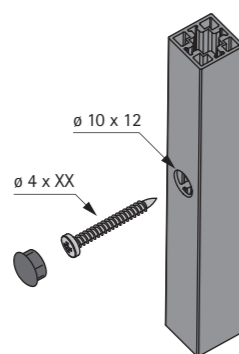
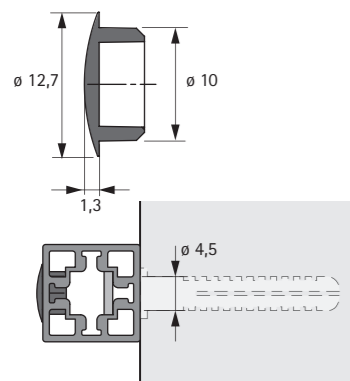


Cover cap, Ø 10 mm, for direct attachment to wall

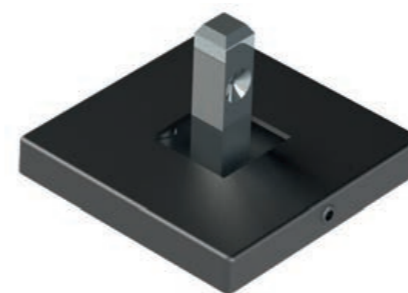


- To cover a Ø 10 mm hole when fixing the Cadro profile directly to the wall
- A Ø 4,5 mm through hole must be drilled at the centre of Cadro profile before drilling a further Ø 10 x 12 mm hole
- The profile must be fixed directly to the wall with a Ø 4 mm panhead screw; fixing screw not included
- The profile hole is concealed by the cover cap
- Plastic

Order no. / Colour	PU
black	
9 298 854	20 ea.



Wall / floor attachment, 55 x 55 mm

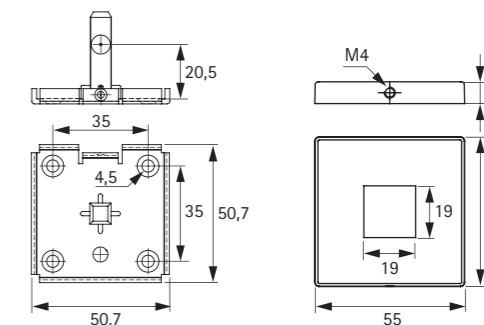


- For screwing onto the wall or floor
- Outer dimensions including cover 55 x 55 mm
- One Cadro threaded stud is required for fixing in the profile, order no. 9 298 859, please order separately
- Mounting hardware is not included as it must suit the type of wall concerned
- Loading capacity 25 kg / set

Set comprises:

- 1 base, die-cast zinc
- 1 cover cap, die-cast zinc
- 1 grub screw, M4 x 6 mm, for attaching the cover cap, steel

Order no. / Colour	PU
Matt black	
9 303 940	1 set

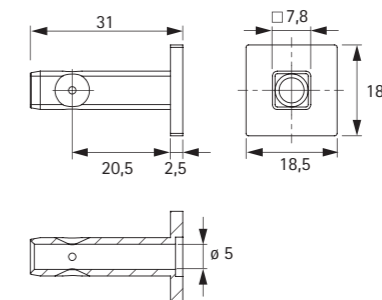
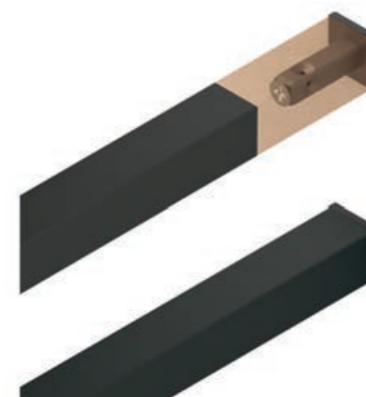


Wall / floor attachment, 18 x 18 mm



- Concealed wall / floor attachment
- For screwing onto the wall or floor
- Outer dimensions 18,5 x 18,5 mm
- One Cadro threaded stud per wall / floor mount is required for securing it in the profile, order no. 9 298 859, please order separately
- Mounting hardware is not included as it must suit the type of wall concerned
- Load capacity 25 kg / ea.
- Die-cast zinc

Order no. / Colour	PU
Matt black	
9 303 942	1 ea.



Adjustable leg with push fit thread

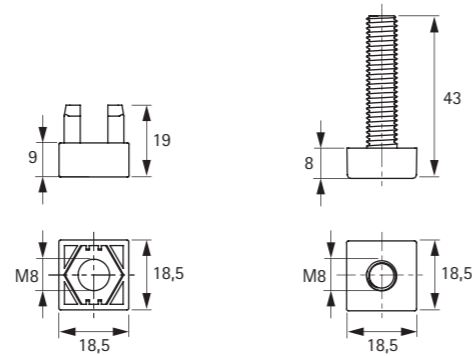


- Can be adjusted over a range of 0 to 20 mm
- The push fit thread must be inserted into the end of the profile and the foot screwed into the thread
- Max. load capacity 60 kg / set

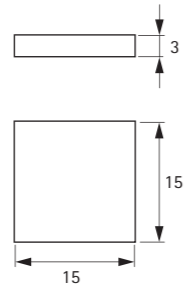
Set comprises:

- 1 leg, steel / black plastic
- 1 push fit thread, steel / black plastic

Order no.	PU
9 298 853	1 set



Felt slides

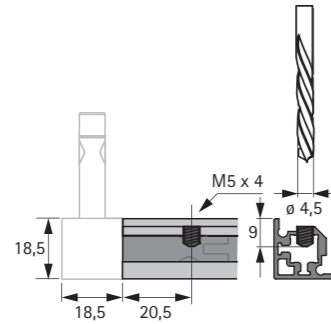


- 15 x 15 mm
- Self adhesive
- felt black

Order no.	PU
9 298 864	25 ea.

- ▶ Glass display cabinet
- ▶ Threaded stud, Glass door hinge

Glass profile threaded stud, M5 x 4 mm



- ▶ Self tapping grub screw, M5 x 4 mm, DIN 913
- ▶ For securely connecting profiles and connecting nodes without any gaps
- ▶ The threaded studs fit into the tapered depressions in the node arms
- ▶ Note: the glass profiles are drilled and screw mounted on the inside of the profiles, this work being completely concealed by the respective clip on profile. This is why it is necessary to use the shorter M5 x 4 mm threaded stud
- ▶ We recommend using a 4.5 mm metal drill bit for drilling the hole
- ▶ 0.8 - 1 Nm torque when using a cordless screwdriver
- ▶ Steel, black

Order no.	PU
9 303 930	25 ea.

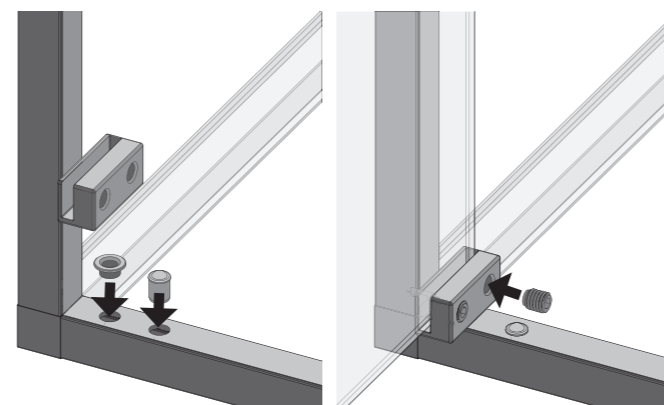
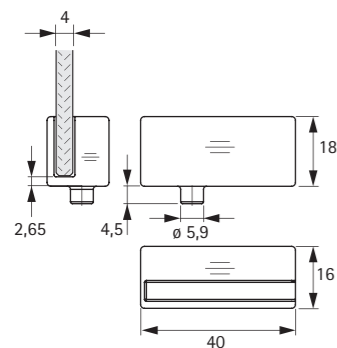
Glass door hinge



- ▶ For 4 mm glass doors (toughened safety glass)
- ▶ Max. recommended door size W 300 x H 1200 mm - W 600 x H 800 mm
- ▶ For use on left / right
- ▶ The glass door is pushed into the hinges at top and bottom as far as it will go and then fixed in place with grub screws
- ▶ Optional use of ball catches holds doors up to a max. size of W 500 x H 900 mm in the closed position
- ▶ In addition, we recommend using glass door stop, order no. 9 303 934 / 9 303 935, please order separately
- ▶ Die-cast zinc

- Set comprises:
- ▶ 1 set of top / bottom glass door mounts with premounted grub screw, die-cast zinc / steel
 - ▶ 2 bearing sleeves, plastic
 - ▶ 2 ball catches, plastic

Order no. / Colour	PU
Matt black 9 303 928	1 set



- ▶ Glass display cabinet
- ▶ Glass door lock

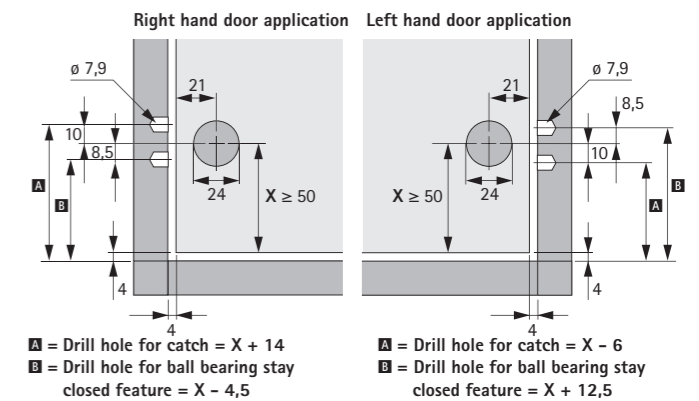
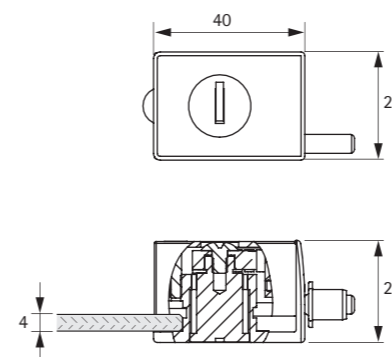
Glass door lock



- ▶ For 4 mm glass doors (toughened safety glass)
- ▶ Max. recommended door size W 300 x H 1200 mm - W 600 x H 800 mm
- ▶ For use on left / right
- ▶ The locking bolt is taken up by a sleeve fitted in the profile
- ▶ The holes that need to be drilled in the glass door and in the adjacent profiles must be drilled before the frame is mounted
- ▶ Optional use of a ball catch holds a door up to a max. size of W 500 x H 900 mm in the closed position
- ▶ In addition, we recommend using glass door stop, order no. 9 303 934, please order separately
- ▶ Die-cast zinc

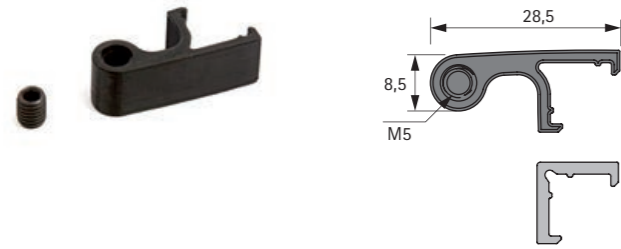
- Set comprises:
- ▶ 1 glass door lock, die-cast zinc / steel
 - ▶ 2 keys, steel / plastic
 - ▶ 1 bearing sleeve, plastic
 - ▶ 1 Ball bearing locking fixture, plastic

Order no. / Colour	PU
Matt black 9 303 932	1 set



- ▶ Glass display cabinet
- ▶ Glass shelf supports

Clip on glass shelf supports, both sides

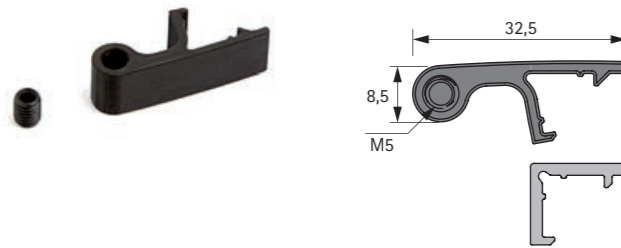


- ▶ For clipping onto the glass corner profile, order no. 9 303 912 in combination with clip on cover profiles on both sides, order no. 9 303 918 / 9 303 925
- ▶ A recess is made for the clip on cover profiles where the glass shelf support is fitted
- ▶ Including M5 screw for adjusting shelves to the right height
- ▶ Proper use of 4 shelf supports provides a maximum load capacity of 20 kg per level
- ▶ For use on left / right
- ▶ Plastic, black

- Set comprises:
- ▶ 10 clip on glass shelf supports, both sides, black plastic
 - ▶ 10 M5 x 6 mm adjustment screws, black plastic

Order no.	PU
9 317 667	1 set

Clip on glass shelf supports, both sides

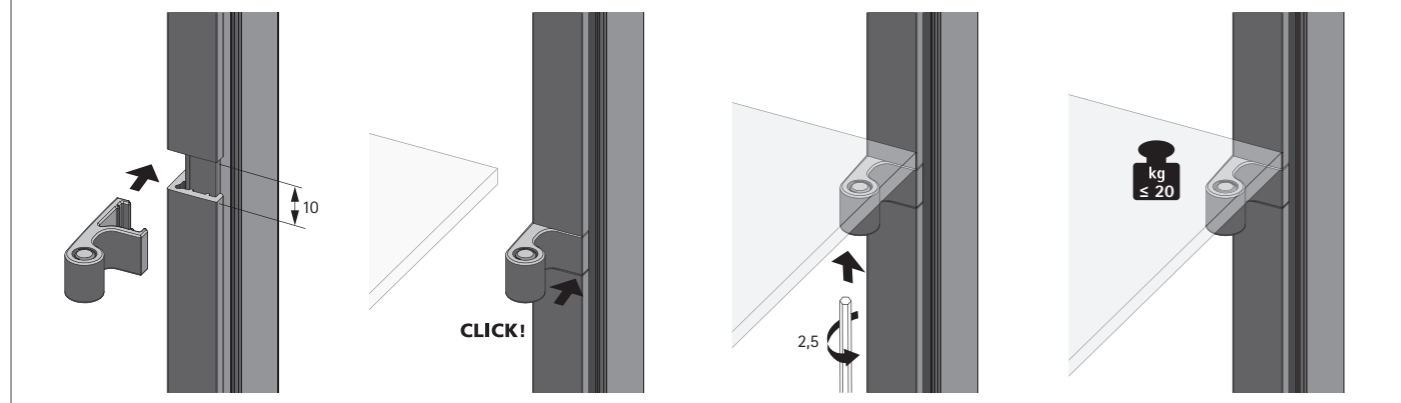


- ▶ For clipping onto the glass corner profile, order no. 9 303 912 in combination with clip on cover profiles on one side, order no. 9 303 916 / 9 303 924
- ▶ A recess is made for the clip on cover profiles where the glass shelf support is fitted
- ▶ Including M5 screw for adjusting shelves to the right height
- ▶ Proper use of 4 shelf supports provides a maximum load capacity of 20 kg per level
- ▶ For use on left / right
- ▶ Plastic, black

- Set comprises:
- ▶ 10 clip on glass shelf supports, one side, black plastic
 - ▶ 10 M5 x 6 mm adjustment screws, black plastic

Order no.	PU
9 317 669	1 set

Installation note



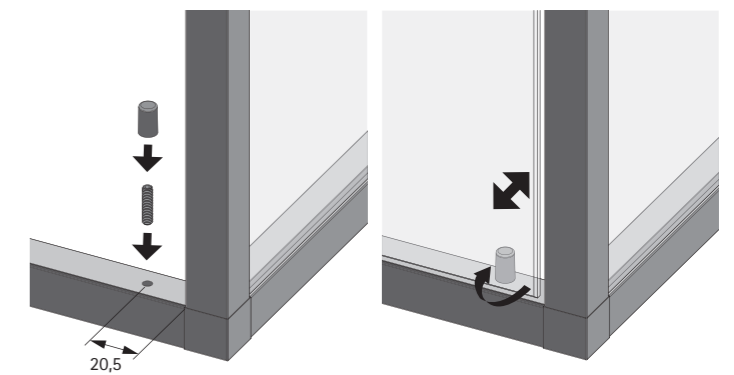
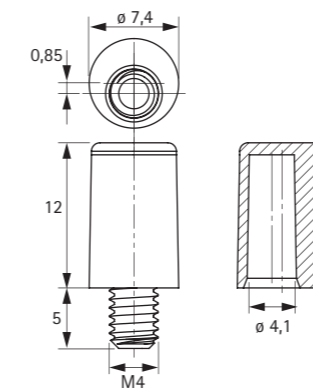
- ▶ Glass display cabinet
- ▶ Glass door mounting, Glass door adapter for knobs

Glass door mounting



- ▶ Prevents glass doors from going in too far
- ▶ 1 glass door stop consists of an M4 x 16 mm screw and a plastic sleeve
- ▶ The plastic sleeve has an eccentric hole; door depth can be adjusted by up to 2 mm by turning the sleeve
- ▶ Steel / plastic

Order no. / Colour	PU
black	
9 303 934	2 ea.





The Cadro light profiles provide space for standard LED lighting strips in a maximum width of 6 mm. Matching diffusion profiles diffuse the light or, if chosen, conceal the cables within the profile. The lineup is complemented by special connecting nodes that make it possible to feed through the light cabling or supply power.

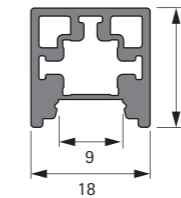
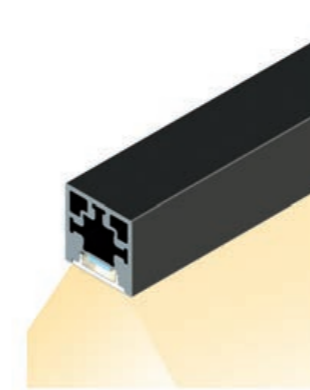


Lighting profiles
-> Page 35



Connecting node, LED connection
-> Page 36

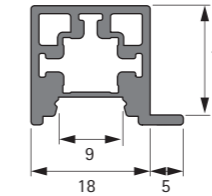
Light profile, basic



- Basic profile for accent lighting, e.g. for use as vertical stay in shelf units
- Suitable for using standard LED strips in a maximum width of 6 mm
- Please order covering diffusion profile separately
- Length 3000 mm, can be cut to length
- Aluminium

Order no. / Colour	PU
Matt black	
9 298 812	1 ea.

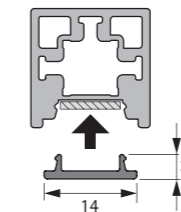
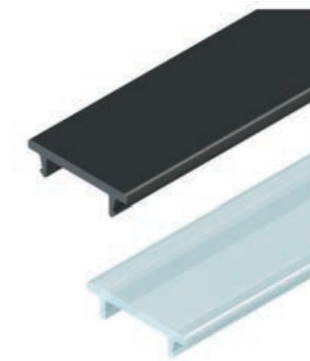
Light profile, shelf



- Shelf profile for accent lighting
- For mounting 16 mm shelves
- Suitable for using standard LED strips in a maximum width of 6 mm
- Please order suitable covering diffusion profile separately, order no. 9 298 819 / 9 298 818
- Length 3000 mm, can be cut to length
- Aluminium

Order no. / Colour	PU
Matt black	
9 298 814	1 ea.

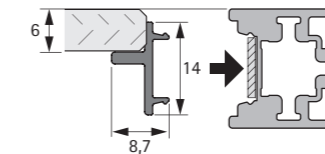
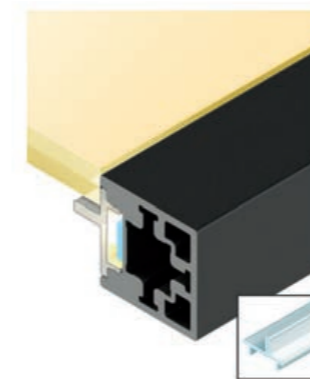
Diffusion profile



- For clipping onto the lighting profiles
- Translucent finish in combination with LED strips
- Black finish for covering power supply
- Length 3000 mm, can be cut to length
- Plastic

Order no. / Colour	PU
black	translucent
9 298 819	9 298 818
	1 ea.

Diffusion profile with rib



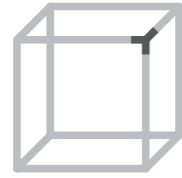
- For mounting 6 mm glass or Plexiglas acrylic glass shelves
- In combination with LED strips, the diffusion profile provides accent illumination for the shelves
- For clipping onto the lighting profile base, order no. 9 298 812
- Length 3000 mm, can be cut to length
- Plastic translucent

Order no.	PU
9 298 820	1 ea.

Cadro frame system

- ▶ Light
- ▶ Connecting nodes

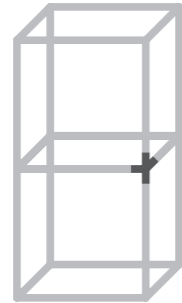
Connecting node, 3-way, LED connection



- ▶ For connecting Cadro lighting profiles and glass profiles (glass display cabinet)
- ▶ With recess for routing through the lighting cabling
- ▶ One Cadro threaded stud per node arm is required for securing it in the profile, please order separately
Light profile: order no. 9 298 859
Glass profile (glass display cabinet): order no. 9 303 930
- ▶ Die-cast zinc

Order no. / Colour	PU
Matt black	
9 298 839	1 ea.

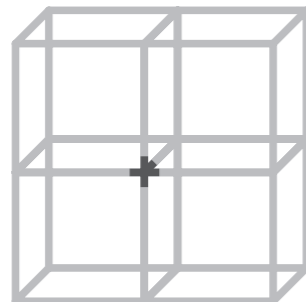
Connecting node, 4-way, LED connection



- ▶ For connecting Cadro lighting profiles and glass profiles (glass display cabinet)
- ▶ With recess for routing through the lighting cabling
- ▶ One Cadro threaded stud per node arm is required for securing it in the profile, please order separately
Light profile: order no. 9 298 859
Glass profile (glass display cabinet): order no. 9 303 930
- ▶ Die-cast zinc

Order no. / Colour	PU
Matt black	
9 298 841	1 ea.

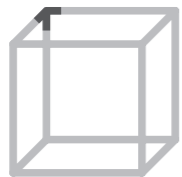
Connecting node, 5-way, LED connection



- ▶ For connecting Cadro lighting profiles and glass profiles (glass display cabinet)
- ▶ With recess for routing through the lighting cabling
- ▶ One Cadro threaded stud per node arm is required for securing it in the profile, please order separately
Light profile: order no. 9 298 859
Glass profile (glass display cabinet): order no. 9 303 930
- ▶ Die-cast zinc

Order no. / Colour	PU
Matt black	
9 303 881	1 ea.

Connecting node, 3-way, LED output



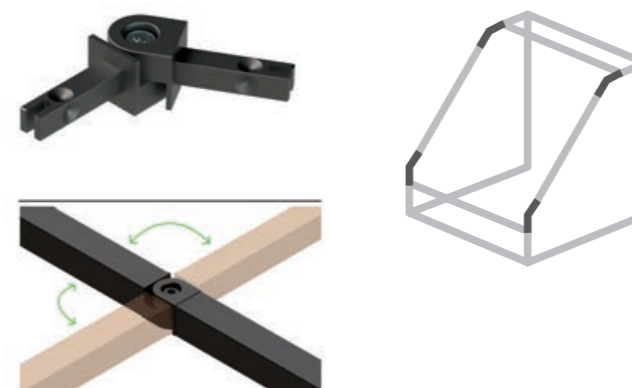
- ▶ For connecting Cadro lighting profiles and glass profiles (glass display cabinet) near power supply
- ▶ With \varnothing 10 mm hole for the power supply to the rear panel or to the outside
- ▶ One Cadro threaded stud per node arm is required for securing it in the profile, please order separately
Light profile: order no. 9 298 859
Glass profile (glass display cabinet): order no. 9 303 930
- ▶ Die-cast zinc

Order no. / Colour	PU
Matt black	
9 298 843	1 ea.



The Cadro connecting nodes for customised solutions permit boundless creativity using profile connections with variable angles of up to 360 degrees. This way, objects can be easily adapted to suit any spatial situation and can be stabilised with diagonal bracing. The variable connection nodes can be combined with the basic profiles (page 8 - 9).

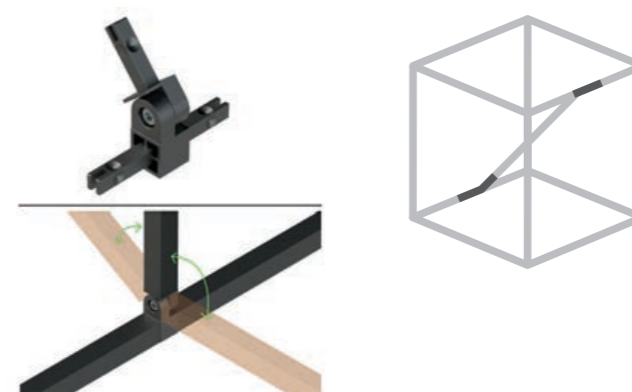
Flexible node, 180 degrees



- For connecting Cadro profiles at a variable angle of up to 180 degrees
- Node can be fixed in place at the chosen angle by means of a set screw
- One Cadro threaded stud per node arm is required for securing it in the profile, order no. 9 298 859, please order separately
- Die-cast zinc

Order no. / Colour	PU
Matt black	
9 303 946	1 ea.

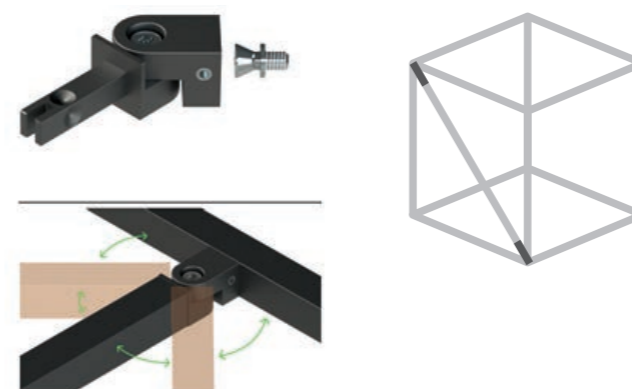
"T" connector, 180 degrees



- For connecting Cadro profiles
- The T connector is placed between two profiles, with the option of adding another one at a variable angle of up to 180 degrees
- The chosen angle can be fixed in place by means of a set screw
- One Cadro threaded stud per node arm is required for securing it in the profile, order no. 9 298 859, please order separately
- Die-cast zinc

Order no. / Colour	PU
Matt black	
9 303 950	1 ea.

Screw type connector, 180 degrees



- For screwing to Cadro profiles
- The screw connector can be screwed to any flat side of the profile, making it possible to add another profile at a variable angle of up to 180 degrees
- The fixing screw must be screwed into the centre of the profile, the connecting node must be placed on top and fixed in place with a premounted grub screw
- The chosen angle can be fixed in place by means of a set screw
- One Cadro threaded stud is required for the node arm to secure it in the profile, order no. 9 298 859, please order separately
- Die-cast zinc

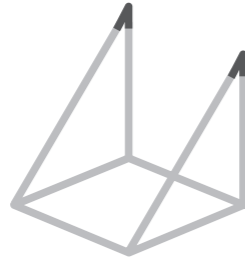
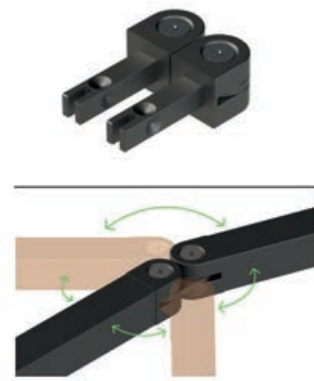
- Set comprises:
- 1 connecting node, die-cast zinc
 - 1 fixing screws, M5, steel

Order no. / Colour	PU
Matt black	
9 303 952	1 set

Cadro frame system

- ▶ Customised solutions
- ▶ Connecting nodes

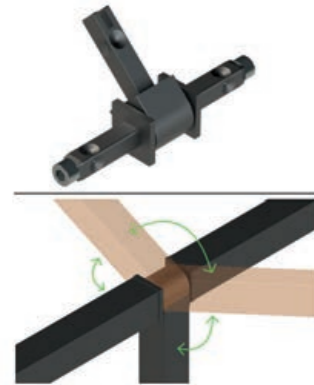
Flexible node, 360 degrees



- ▶ For connecting Cadro profiles at a variable angle of up to 360 degrees
- ▶ Node can be fixed in place at the chosen angle by means of a set screw
- ▶ One Cadro threaded stud per node arm is required for securing it in the profile, order no. 9 298 859, please order separately
- ▶ Die-cast zinc

Order no. / Colour	PU
Matt black	
9 298 845	1 ea.

"T" connector, 360 degrees



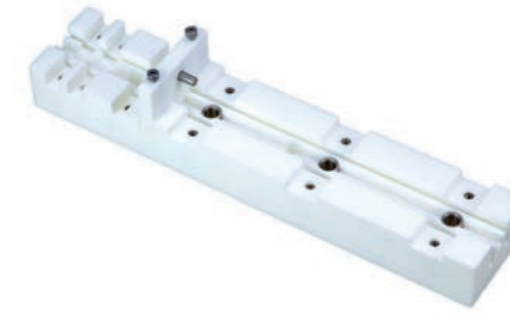
- ▶ For connecting Cadro profiles
- ▶ The T connector is placed between two profiles, with the option of adding another one at a variable angle of up to 360 degrees
- ▶ One Cadro threaded stud per node arm is required for securing it in the profile, order no. 9 298 859, please order separately
- ▶ Die-cast zinc

Order no. / Colour	PU
Matt black	
9 303 948	1 ea.

Cadro frame system

- ▶ Assembly aids

Cadro installation aid



- ▶ Jig for achieving perfectly fitting drill hole and threaded hole for the Cadro base and shelf profiles
- ▶ With movable fixing stop for fitting profiles
- ▶ We recommend fixing the installation aid on a pillar drill
- ▶ Optional upgrade with add on set for sliding door profiles, order no. 9 298 866
- ▶ Plastic, white

Order no.	PU
9 298 865	1 ea.

Add on set, installation aid for sliding door profiles



- ▶ Add-on set for achieving perfectly fitting drill hole and threaded hole for the Cadro sliding door profiles
- ▶ Suitable for Cadro installation aid, order no. 9 298 865, please order separately
- ▶ Plastic, white

Set comprises:

- ▶ 2 add on elements for sliding door profiles, inset
- ▶ 2 add on elements for sliding door profiles, overlay

Order no.	PU
9 298 866	1 set

Add on set, installation aid for glass door hinge



- ▶ Upgrade set for drilling the exact hole size for the Cadro glass door hinge
- ▶ Suitable for Cadro installation aid, order no. 9 298 865, please order separately
- ▶ Plastic, white

Set comprises:

- ▶ 1 attachment for 4 mm glass door hinge joint
- ▶ 1 attachment for 5 mm glass door hinge joint

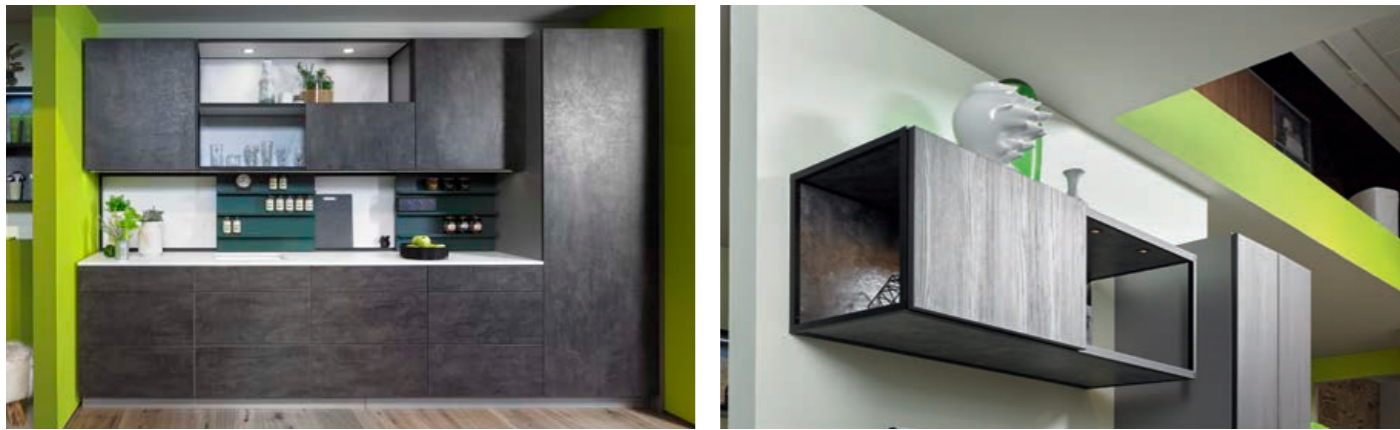
Order no.	PU
9 317 666	1 Set

Cadro drilling jig Mini



- ▶ Drilling jig for precise hole and thread drilling
- ▶ Compatible with a wide range of Cadro profiles
- ▶ Drilling distance 20.5 mm suitable for fastening the connecting nodes with Cadro profiles
- ▶ For use with a cordless drill
- ▶ Including drill bush for HSS drill \varnothing 4.5 mm
- ▶ With fixing stop for positioning the profiles
- ▶ Plastic, grey

Order no.	PU
9 316 176	1 ea.



Discover further creative furniture solutions and details on planning them for downloading from our design gallery at www.hettich.com



www.hettich.com/short/a5dc50

Order no.	Page
9 298 780	8
9 298 792	8
9 298 794	8
9 298 796	8
9 298 798	11
9 298 800	11
9 298 802	11
9 298 804	11
9 298 806	13
9 298 808	13
9 298 810	13
9 298 812	35
9 298 814	35
9 298 818	35
9 298 819	35
9 298 820	35
9 298 821	20
9 298 823	20
9 298 825	20
9 298 827	20
9 298 829	21
9 298 831	21
9 298 833	21
9 298 835	21
9 298 837	22
9 298 839	36
9 298 841	36
9 298 843	36
9 298 845	40
9 298 847	26
9 298 848	25
9 298 849	23
9 298 851	23
9 298 853	28
9 298 854	26
9 298 856	22
9 298 858	22
9 298 859	22
9 298 861	24
9 298 862	24
9 298 863	9
9 298 864	28
9 298 865	41
9 298 866	41
9 303 881	36

Order no.	Page
9 303 883	18
9 303 886	9
9 303 912	15
9 303 914	16
9 303 916	15
9 303 918	15
9 303 920	15
9 303 922	16
9 303 924	16
9 303 925	16
9 303 926	17
9 303 927	17
9 303 928	30
9 303 930	30
9 303 932	31
9 303 934	33
9 303 940	27
9 303 942	27
9 303 946	39
9 303 948	40
9 303 950	39
9 303 952	39
9 303 954	25
9 303 956	25
9 304 915	13
9 316 176	41
9 317 666	41
9 317 667	32
9 317 669	32

www.hettich.com

Hettich New Zealand

18 Barmac Place
East Tamaki, Auckland

Free Phone: 0800 438 842
sales-nz@hettich.com
shop.hettich.com
designwithhettich.co.nz