

InnoTech Atira

Double Walled Drawer System



Passionate about interiors


Hettich

InnoTech Atira by Hettich





18 Barmac Place,
East Tamaki, 2013
0800 438 842
www.hettich.com

Order no. 9218409
DOI: Sep 2021



@HettichNZ



@hettichnz



@Hettich New Zealand



About Hettich

We create the perfect combination of intelligent technology, functionality and design. It is with this claim that we develop and produce a variety of fittings for all sorts of different functions. Including drawer systems, runner systems, hinges and sliding and folding door systems. Because good furniture needs good solutions – for the home, working world and quality of life. Every day, over 6,600 members of staff take up the challenge of developing intelligent technology for furniture. The home of the family-owned business is in Kirchleugern, Germany.



Innovations for every environment

With numerous innovations and never ending new ideas, we have driven forward trends that help to shape the flexibility and multifunctionality of today's furniture concepts.

Our technology for furniture makes a valuable contribution to all this. We'll continue to be passionate about researching in the future too. Working on intelligent functions. And making this world's furniture come alive.

Passionate about interiors

You want to impress and stand apart from the competition? Offer hardware solutions in a wide range of designs and configurations? Meet customers' demands with individually tailored solutions? And all involving the least possible cost and effort in production and logistics?

In this case, the Hettich platform concept is just made for you. Its system based product diversity lets you differentiate your furniture range in a variety ways, with ease and extremely cost-effectively. Hettich are passionate about interiors and our passion is driven by the quality hardware that we offer. So, what do you say?



InnoTech Atira double walled drawer system



Striking, versatile, flexible

The InnoTech Atira drawer system impresses the moment you set eyes on it. Sharp contours, a choice of colours and diverse side elements produce plenty of creative potential.

Added to this are many different interior organisation solutions. All this on the basis of just one platform: no other drawer system provides this level of individuality.



One for all:

Thanks to the Hettich platform concept, all design solutions are based on a single drawer side profile. This also makes upgrades so effortlessly easy.



Effortlessly handleless:

The convenient Push to open Silent function opens the drawer in response to a light press while closing it again in a gently controlled action.



Perfect combination from any viewing angle:

All components are colour coordinated. This way, for example, design profiles let you create unmistakable combinations.

InnoTech Atira double walled drawer system

- ▶ Range summary
- ▶ Powder coated steel, silver / white



Drawer, height 54 mm

8



Drawer, height 70 mm

10



Pot-and-pan drawer with railing, height 144 mm

14



Pot-and-pan drawer with railing, height 176 mm

18



Internal drawer accessories

22



Narrow base unit

24



Pantry unit

25



Quadro drawer runners
Range summary

26



Push to open Silent

38



Other accessories

40



Interior organisation system
Range summary

44



Waste systems behind front panels
Range summary

54

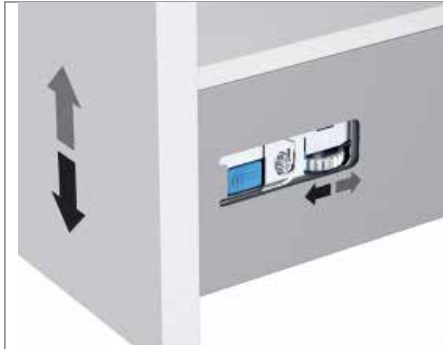
InnoTech Atira double walled drawer system

- ▶ Range summary
- ▶ Powder coated steel, silver / white



Assembly aids / jigs

67



Installation / adjustment

71

InnoTech Atira system components

Basic components

- 1 Drawer side profile, left and right
- 2 Drawer front connector for drawer side profile
- 3 Rear panel connector
- 4 Cover caps
- 5 Lengthwise railing
- 6 Drawer front connector for lengthwise railing
- 7 TopSide adapter
- 8 TopSide in glass
- 9 TopSide in metal
- 10 Adapter for lengthwise railing

Front panel options

- 15 Front panel for internal drawer / internal pot-and-pan drawer
- 16 Aluminium front
- 17 Railing for aluminium front panel
- 18 Connector for aluminium front panel
- 19 Follower for internal front panel
- 20 Front stabiliser

Drawer runners

- 23 Quadro drawer runners

Wooden elements cut to size

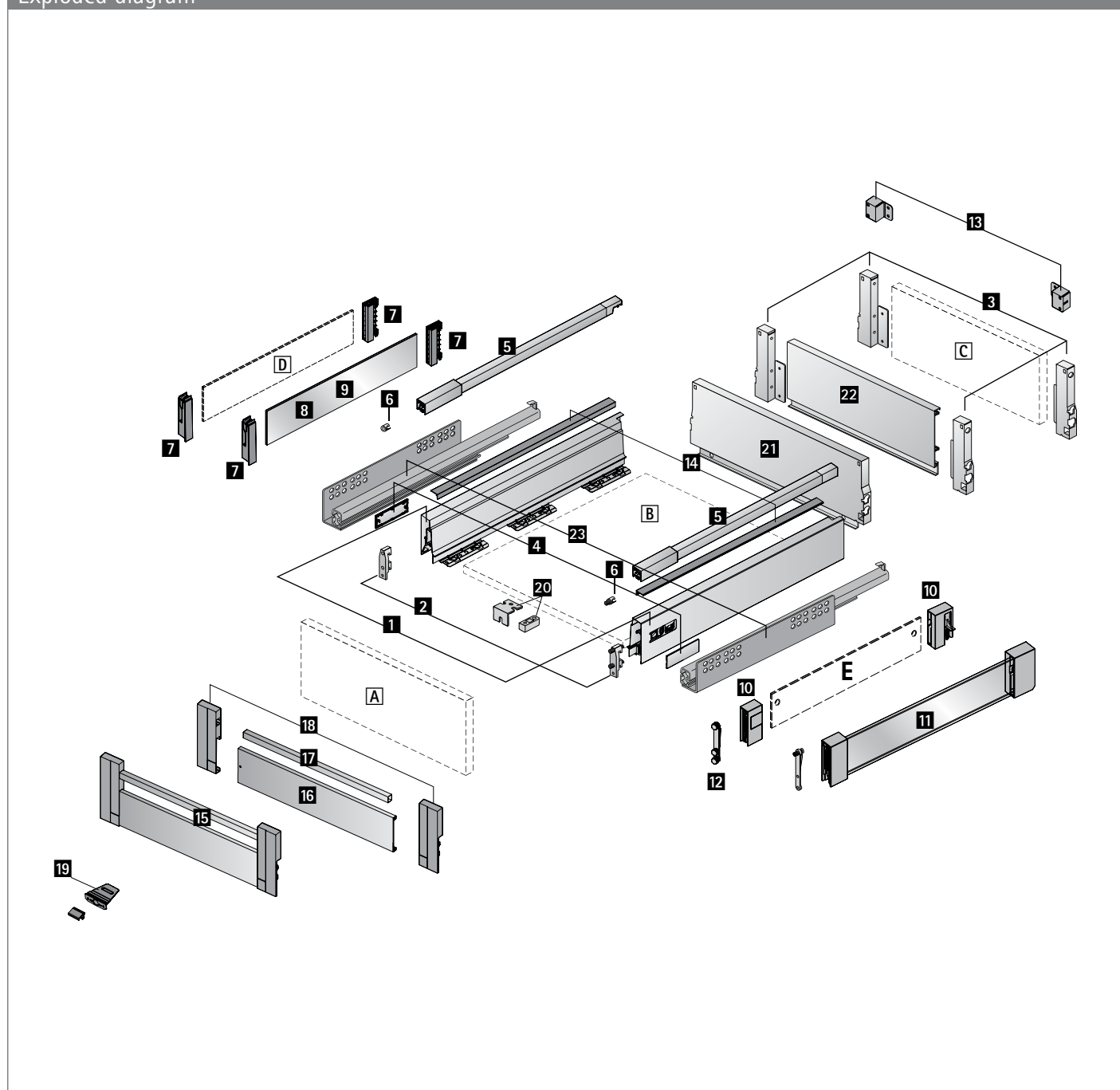
- A Front panel
- B Bottom panel
- C Wooden rear panel
- D TopSide - for use in any chosen material

InnoTech Atira double walled drawer system

► Exploded drawing / overview of components



Exploded diagram



InnoTech Aтира double walled drawer system

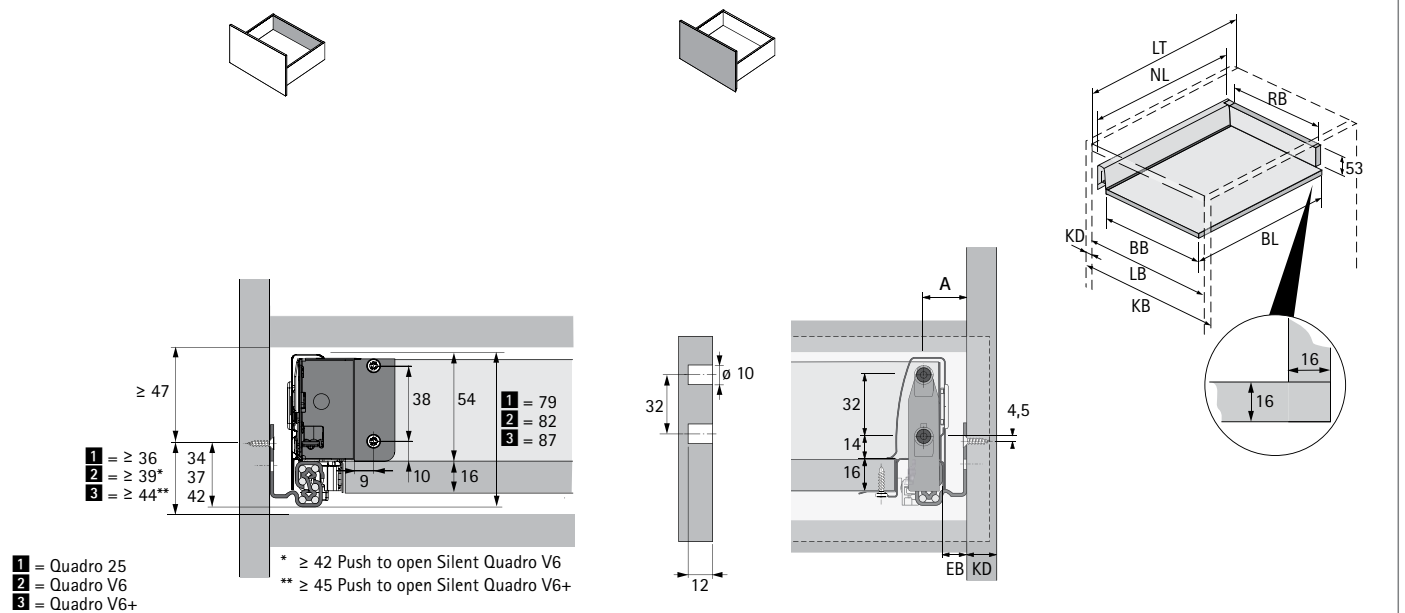
- ▶ Drawer height 54 mm
- ▶ Powder coated steel, silver / white



Useful Information:

- ▶ 54mm drawers do not come in sets. Quadro runners will need to be ordered separately.

Planning / installation dimensions



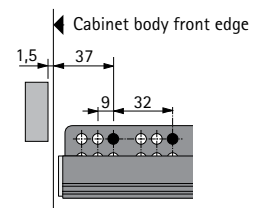
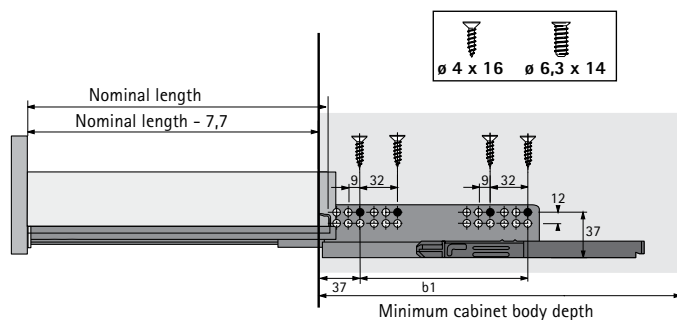
BB Bottom panel width	RB Rear panel width	LB Clear inside width
BL Bottom panel length	NL Nominal length	LT Clear inside depth
KB Cabinet body width	KD Cabinet body side thicknesses	EB Installation width

KD	16
EB	12,5
A	23

Dimension	mm
BL	NL + 10
BB	LB - 2 x EB - 51,5
RB	LB - 2 x EB - 63

Positions for attaching Quadro V6 drawer runner

Nominal length mm	Hole spacing b1 mm
260	160
300	160
350	160
420	224
470	256
520	256

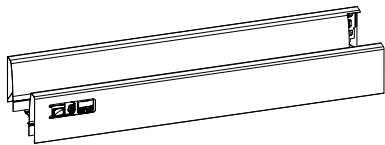


Note:
 For further information, please refer to the chapter on drawer runners.

InnoTech Atira double walled drawer system

- ▶ Drawer height 54 mm
- ▶ Powder coated steel, silver / white

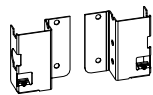
Drawer side profile, height 54 mm



- ▶ Integrated vertical and lateral adjustment
- ▶ Steel, powder coated

Nominal length mm	Order no. / surface finish / cabinet side				PU
	silver		white		
	left	right	left	right	
470	1 063 801	1 063 802	9 194 432	9 194 433	1/18 ea.

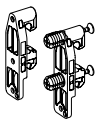
Rear panel connectors



- ▶ Powder coated steel

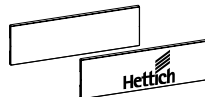
Nominal height mm	Order no. / surface finish / cabinet side				PU
	silver		white		
	left	right	left	right	
54	9 003 473	9 003 474	9 194 623	9 194 624	1/40 ea.

Drawer front connector for drawer side profile



- ▶ Plastic, white

Cover caps



- ▶ Plastic

Mounting option	Order no.	PU
for screwing on	1 065 191	1/400 ea.
with expanding socket	1 061 450	1/400 ea.

System colour	Finish	Order no.	PU
silver	grey with Hettich logo	9 194 646	1/300 ea.
silver	grey	9 194 643	1/300 ea.
silver	chrome look with Hettich logo	9 194 652	1/300 ea.
silver	chrome look	9 194 649	1/300 ea.
white	white with Hettich logo	9 194 647	1/300 ea.
white	white	9 194 644	1/300 ea.
white	chrome look with Hettich logo	9 194 653	1/300 ea.
white	chrome look	9 194 650	1/300 ea.

Useful Information

- | | | | |
|--------------------------------------|---------|------------------------------|---------|
| ▶ Quadro drawer runners | 28 - 35 | ▶ Installation / Adjustments | 73 - 80 |
| ▶ Push to open Silent opening system | 36 - 39 | ▶ Quality criteria | 81 |
| ▶ Other accessories | 40 - 43 | | |



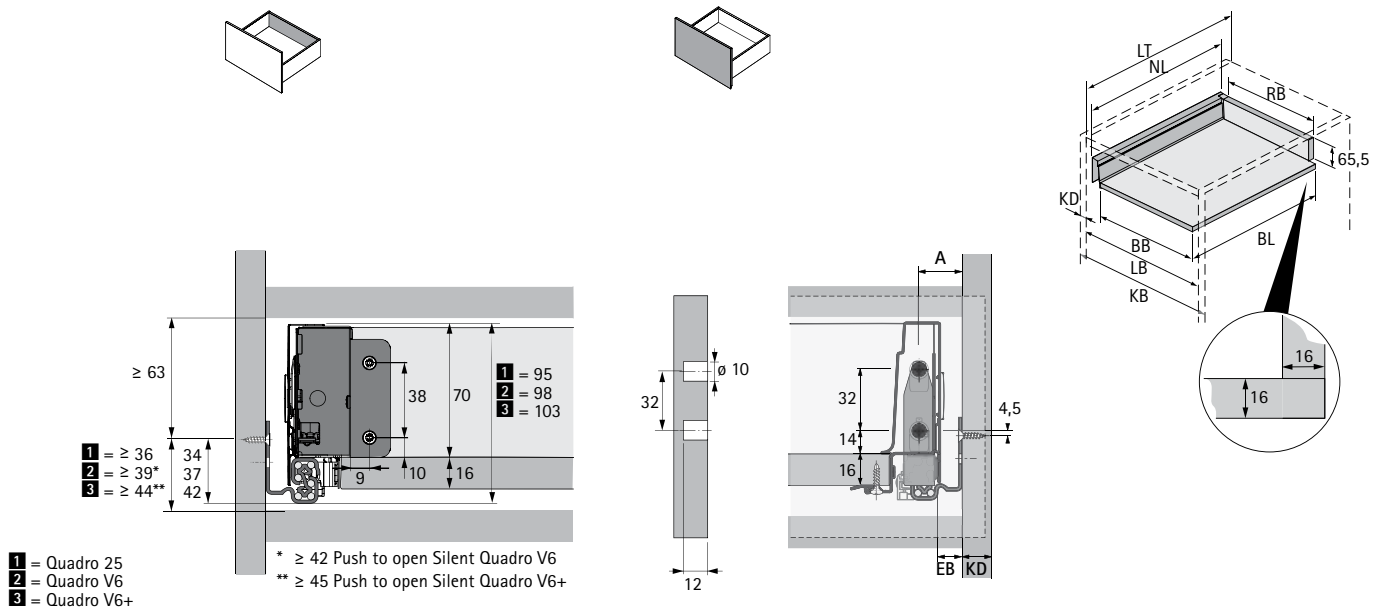
hettich.com/short/6077da

InnoTech Aтира double walled drawer system

- ▶ Drawer height 70 mm
- ▶ Powder coated steel, silver / white

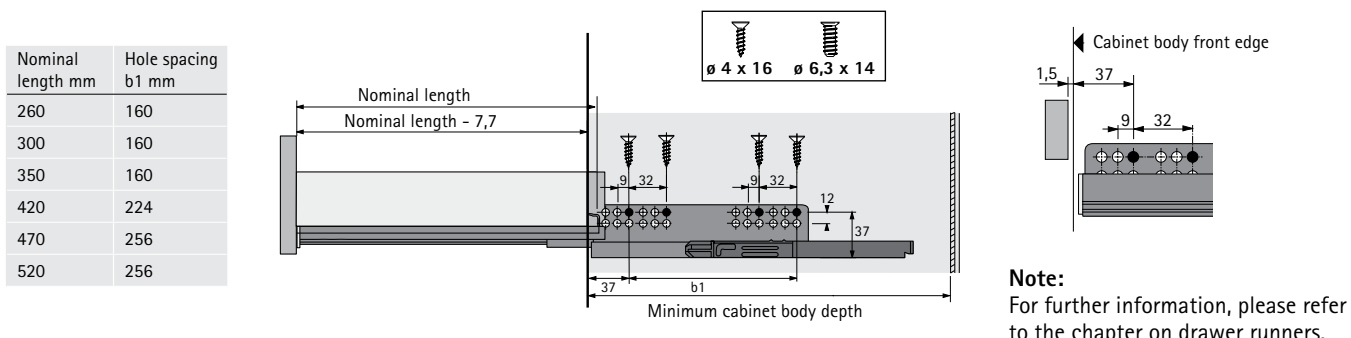


Planning / installation dimensions



Dimension	mm				
BB Bottom panel width	RB Rear panel width	LB Clear inside width	KD 16	BL	NL + 10
BL Bottom panel length	NL Nominal length	LT Clear inside depth	EB 12,5	BB	LB - 2 x EB - 51,5
KB Cabinet body width	KD Cabinet body side thicknesses	EB Installation width	A 23	RB	LB - 2 x EB - 63

Positions for attaching Quadro V6 drawer runner



InnoTech Atira double walled drawer system

- ▶ Drawer height 70 mm
- ▶ Powder coated steel, silver / white

All inclusive set, bulk packaging

Drawer set

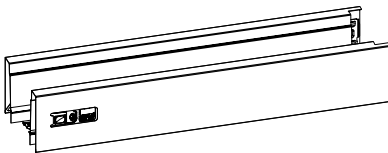
Set comprises:

- ▶ **1** 1 Drawer side profile, left and right
- ▶ **2** 2 Drawer front connectors with expanding dowel
- ▶ **3** 2 Cover caps, grey plastic with Hettich logo
- ▶ **7** 1 Rear panel connector, left and right
- ▶ **Optional: 4** 1 Drawer runner Quadro V6 with Silent System, left and right or for sets without Quadro.

Nominal length mm	Order no.		Drawer with Quadro - White	Drawer without Quadro - White	PU
	Drawer with Quadro - Silver	Drawer without Quadro - Silver			
260	9 216 507	9 216 546	9 216 479	9 216 525	18 sets
300	9 216 508	9 216 547	9 216 480	9 216 526	18 sets
350	9 216 509	9 216 548	9 216 481	9 216 527	18 sets
420	9 216 510	9 216 549	9 216 482	9 216 528	18 sets
470	9 216 511	9 216 550	9 216 483	9 216 529	18 sets
520	9 216 512	9 216 551	9 216 484	9 216 530	18 sets
620		9 216 552		9 216 531	18 sets

Individual components

Drawer side profile, height 70 mm



- ▶ Integrated vertical and lateral adjustment
- ▶ Steel, powder coated

Nominal length mm	Order no. / surface finish / cabinet side				PU
	silver		white		
	left	right	left	right	
260	9 194 390	9 194 391	9 194 404	9 194 405	1/18 ea.
300	9 194 392	9 194 393	9 194 406	9 194 407	1/18 ea.
350	9 194 394	9 194 395	9 194 408	9 194 409	1/18 ea.
420	9 194 396	9 194 397	9 194 410	9 194 411	1/18 ea.
470	9 194 398	9 194 399	9 194 412	9 194 413	1/18 ea.
520	9 194 400	9 194 401	9 194 414	9 194 415	1/18 ea.
620	9 194 402	9 194 403	9 194 416	9 194 417	1/18 ea.

Useful Information

- | | | | |
|--------------------------------------|---------|------------------------------|---------|
| ▶ Internal front panel options | 22 - 23 | ▶ Installation / Adjustments | 73 - 80 |
| ▶ Quadro drawer runners | 28 - 35 | ▶ Quality criteria | 81 |
| ▶ Push to open Silent opening system | 36 - 39 | | |
| ▶ Other accessories | 40 - 43 | | |

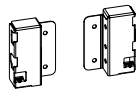


hettich.com/short/13aee4

InnoTech Atira double walled drawer system

- ▶ Drawer height 70 mm
- ▶ Powder coated steel, silver / white

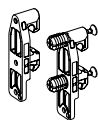
Rear panel connectors



▶ Powder coated steel

Nominal height mm	Order no. / surface finish / cabinet side				PU
	silver		white		
	left	right	left	right	
70	1 062 501	1 062 502	9 194 627	9 194 628	1/40 ea.

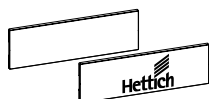
Drawer front connector for drawer side profile



▶ Plastic, white

Mounting option	Order no.	PU
for screwing on	1 065 191	1/400 ea.
with expanding socket	1 061 450	1/400 ea.

Cover caps



▶ Plastic

System colour	Finish	Order no.	PU
silver	grey with Hettich logo	9 194 646	1/300 ea.
silver	grey	9 194 643	1/300 ea.
silver	chrome look with Hettich logo	9 194 652	1/300 ea.
silver	chrome look	9 194 649	1/300 ea.
white	white with Hettich logo	9 194 647	1/300 ea.
white	white	9 194 644	1/300 ea.
white	chrome look with Hettich logo	9 194 653	1/300 ea.
white	chrome look	9 194 650	1/300 ea.

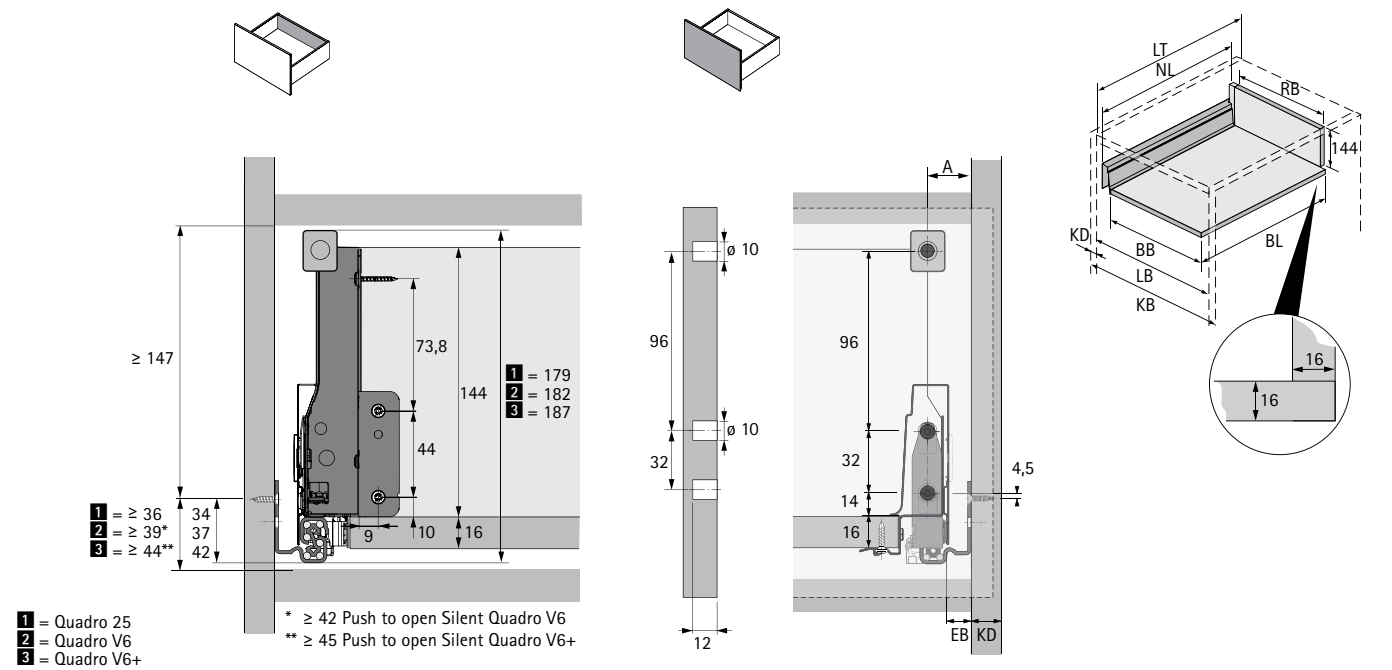
Useful Information			
▶ Internal front panel options	22 - 23	▶ Installation / Adjustments	73 - 80
▶ Quadro drawer runners	28 - 35	▶ Quality criteria	81
▶ Push to open Silent opening system	36 - 39		
▶ Other accessories	40 - 43		

InnoTech Atira double walled drawer system

- ▶ Pot-and-pan drawer with railing, height 144 mm
- ▶ Powder coated steel, silver / white

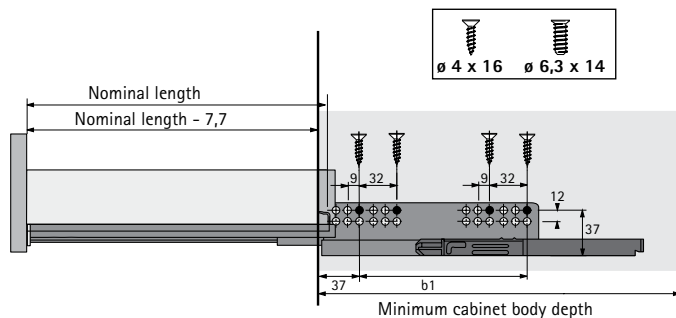


Planning / installation dimensions



Positions for attaching Quadro V6 drawer runner

Nominal length mm	Hole spacing b1 mm
260	160
300	160
350	160
420	224
470	256
520	256



Note:
For further information, please refer to the chapter on drawer runners.

InnoTech Atira double walled drawer system

- ▶ Pot-and-pan drawer with railing, height 144 mm
- ▶ Powder coated steel, silver / white

All inclusive sets, bulk packaging

Pot-and-pan drawer set with lengthwise railing

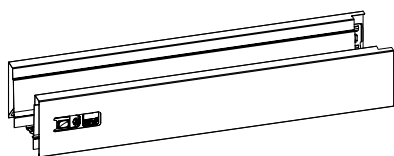
Set comprises:

- ▶ **1** 1 Drawer side profile, left and right
- ▶ **2** 2 Drawer front connectors for drawer side profile with expanding dowel
- ▶ **3** 2 Cover caps, grey plastic with Hettich logo
- ▶ **6** 1 Lengthwise railing, left and right
- ▶ **5** 2 Drawer front connectors for lengthwise railing with expanding dowel
- ▶ **9** 1 Rear panel connector, left and right
- ▶ **Optional: 4** 1 Drawer runner Quadro V6 with Silent System, left and right or for sets without Quadro see page 111

Nominal length mm	Order no.				PU
	Pot-and-pan drawer with Quadro - Silver	Pot-and-pan drawer without Quadro - Silver	Pot-and-pan drawer with Quadro - White	Pot-and-pan drawer without Quadro - White	
260	9 216 513	9 216 553	9 216 485	9 216 532	18 sets
300	9 216 514	9 216 554	9 216 486	9 216 533	18 sets
350	9 216 515	9 216 555	9 216 497	9 216 534	18 sets
420	9 216 516	9 216 556	9 216 498	9 216 535	18 sets
470	9 216 517	9 216 557	9 216 499	9 216 536	18 sets
520	9 216 518	9 216 558	9 216 500	9 216 537	18 sets
620		9 216 559		9 216 538	18 sets

Individual components

Drawer side profile, height 70 mm



- ▶ Integrated vertical and lateral adjustment
- ▶ Steel, powder coated

Nominal length mm	Order no. / surface finish / cabinet side				PU
	silver		white		
	left	right	left	right	
260	9 194 390	9 194 391	9 194 404	9 194 405	1/18 ea.
300	9 194 392	9 194 393	9 194 406	9 194 407	1/18 ea.
350	9 194 394	9 194 395	9 194 408	9 194 409	1/18 ea.
420	9 194 396	9 194 397	9 194 410	9 194 411	1/18 ea.
470	9 194 398	9 194 399	9 194 412	9 194 413	1/18 ea.
520	9 194 400	9 194 401	9 194 414	9 194 415	1/18 ea.
620	9 194 402	9 194 403	9 194 416	9 194 417	1/18 ea.

Useful Information

- | | | | |
|--------------------------------------|---------|------------------------------|---------|
| ▶ Internal front panel options | 22 - 23 | ▶ Installation / Adjustments | 73 - 80 |
| ▶ Quadro drawer runners | 28 - 35 | ▶ Quality criteria | 81 |
| ▶ Push to open Silent opening system | 36 - 39 | | |
| ▶ Other accessories | 40 - 43 | | |

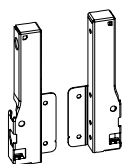


hettich.com/short/335697

InnoTech Atira double walled drawer system

- ▶ Pot-and-pan drawer with railing, height 144 mm
- ▶ Powder coated steel, silver / white

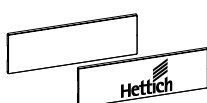
Rear panel connectors



▶ Powder coated steel

Nominal height mm	Order no. / surface finish / cabinet side				PU
	silver		white		
	left	right	left	right	
144	9 007 355	9 007 356	9 194 635	9 194 636	1/40 ea.

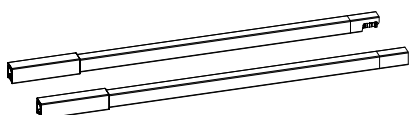
Cover caps



▶ Plastic

System colour	Finish	Order no.	PU
silver	grey with Hettich logo	9 194 646	1/300 ea.
silver	grey	9 194 643	1/300 ea.
silver	chrome look with Hettich logo	9 194 652	1/300 ea.
silver	chrome look	9 194 649	1/300 ea.
white	white with Hettich logo	9 194 647	1/300 ea.
white	white	9 194 644	1/300 ea.
white	chrome look with Hettich logo	9 194 653	1/300 ea.
white	chrome look	9 194 650	1/300 ea.

Lengthwise railing



▶ Powder coated steel

Nominal length mm	Order no. / surface finish / cabinet side				PU
	silver		white		
	left	right	left	right	
260	9 194 522	9 194 523	9 194 536	9 194 537	1/80 ea.
300	9 194 524	9 194 525	9 194 538	9 194 539	1/80 ea.
350	9 194 526	9 194 527	9 194 540	9 194 541	1/80 ea.
420	9 194 528	9 194 529	9 194 542	9 194 543	1/80 ea.
470	9 194 530	9 194 531	9 194 544	9 194 545	1/80 ea.
520	9 194 532	9 194 533	9 194 546	9 194 547	1/80 ea.
620	9 194 534	9 194 535	9 194 548	9 194 549	1/80 ea.

Useful Information

▶ Internal front panel options	22 - 23	▶ Installation / Adjustments	73 - 80
▶ Quadro drawer runners	28 - 35	▶ Quality criteria	81
▶ Push to open Silent opening system	36 - 39		
▶ Other accessories	40 - 43		

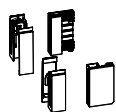


hettich.com/short/335697

InnoTech Atira double walled drawer system

- ▶ Pot-and-pan drawer with railing, height 144 mm
- ▶ Powder coated steel, silver / white

TopSide adapter

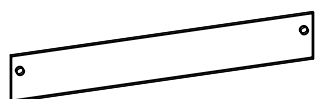


- ▶ For using the **8** TopSide in glass, **9** TopSide in metal or TopSide in any chosen materials
- ▶ Plastic

- Set comprises:
- ▶ 1 adapter, front, left and right
 - ▶ 1 adapter, rear, left and right

Order no. / colour		PU
grey	white	
9 194 657	9 194 658	1 set

TopSide in metal

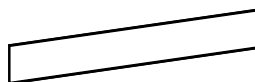


- ▶ **7** TopSide adapters must be ordered separately

- Set comprises:
- ▶ 2 TopSides

Nominal length mm	Order no. / surface finish		PU
	silver	white	
260	9 194 677	9 194 684	1 set
300	9 194 678	9 194 685	1 set
350	9 194 679	9 194 686	1 set
420	9 194 680	9 194 687	1 set
470	9 194 681	9 194 688	1 set
520	9 194 682	9 194 689	1 set
620	9 194 683	9 194 690	1 set

TopSide in glass

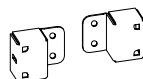


- ▶ **7** TopSide adapters must be ordered separately
- ▶ Float glass, clear

- Set comprises:
- ▶ 2 TopSides

Nominal length mm	Order no.	PU
260	9 194 663	1 set
300	9 194 664	1 set
350	9 194 665	1 set
420	9 194 666	1 set
470	9 194 667	1 set
520	9 194 668	1 set
620	9 194 669	1 set

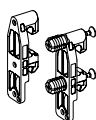
Adapter for lengthwise railing



- lengthwise railing
- ▶ Suitable for use on left or right
- ▶ For drilling dimensions refer to page 72

Order no. / colour		PU
grey	white	
9 206 256	9 206 257	1/80 ea.

Drawer front connector for drawer side profile



- ▶ Plastic, white

Mounting option	Order no.	PU
for screwing on	1 065 191	1/400 ea.
with expanding socket	1 061 450	1/400 ea.

Drawer front connector for lengthwise railing



- ▶ Plastic, white

Mounting option	Order no.	PU
for screwing on	9 002 503	1/400 ea.
with expanding socket	1 061 965	1/400 ea.

Useful Information

▶ Internal front panel options	22 - 23	▶ Installation / Adjustments	73 - 80
▶ Quadro drawer runners	28 - 35	▶ Quality criteria	81
▶ Push to open Silent opening system	36 - 39		
▶ Other accessories	40 - 43		



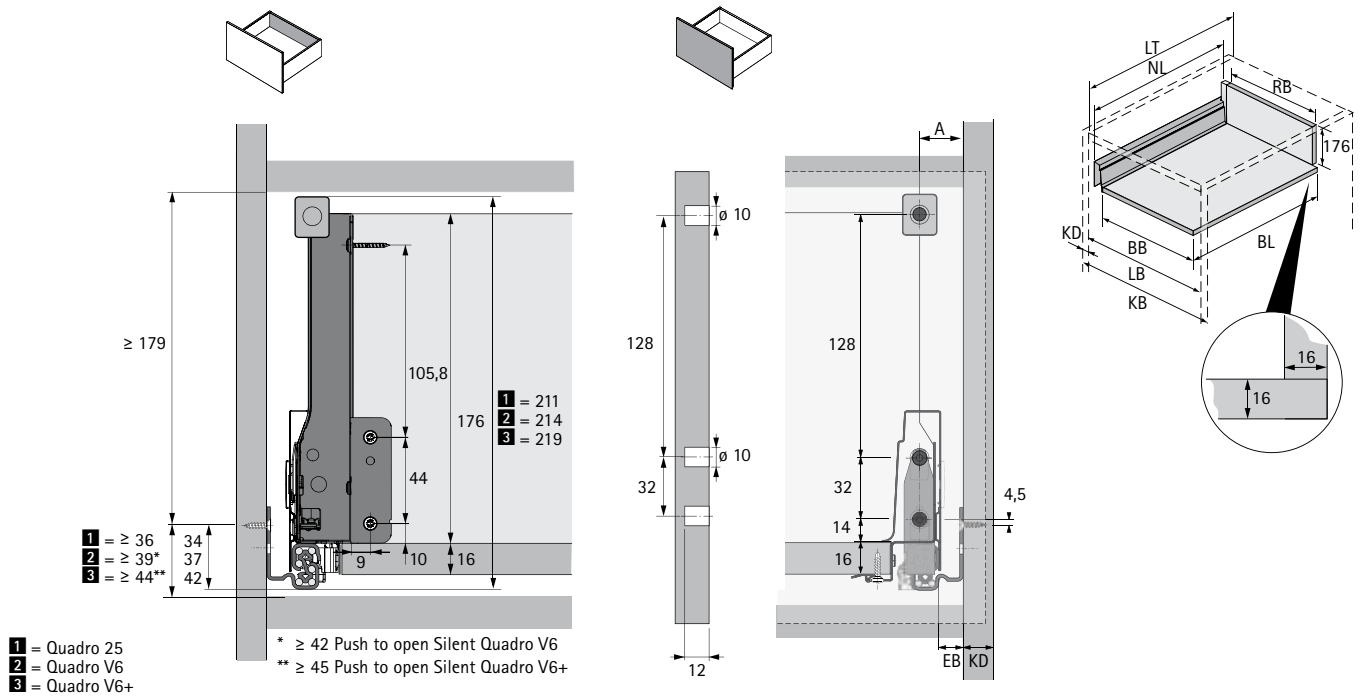
hettich.com/short/335697

InnoTech Atira double walled drawer system

- ▶ Pot-and-pan drawer with railing, height 176 mm
- ▶ Powder coated steel, silver / white



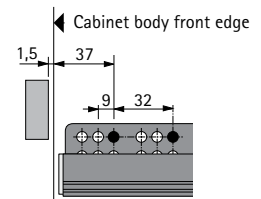
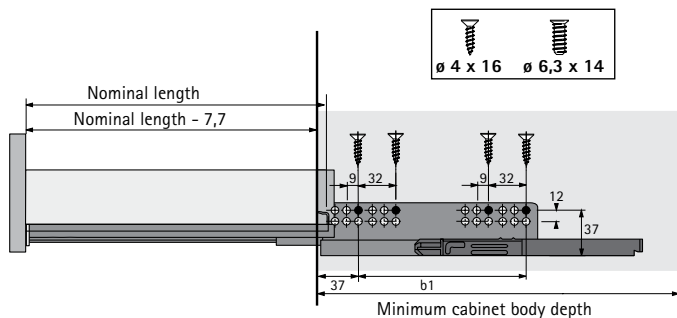
Planning / installation dimensions



Dimension	mm			
BB Bottom panel width	RB Rear panel width	LB Clear inside width	KD	16
BL Bottom panel length	NL Nominal length	LT Clear inside depth	EB	12,5
KB Cabinet body width	KD Cabinet body side thicknesses	EB Installation width	A	23

Positions for attaching Quadro V6 drawer runner

Nominal length mm	Hole spacing b1 mm
260	160
300	160
350	160
420	224
470	256
520	256



Note:
For further information, please refer to the chapter on drawer runners.

InnoTech Atira double walled drawer system

- ▶ Pot-and-pan drawer with railing, height 176 mm
- ▶ Powder coated steel, silver / white

All inclusive sets, bulk packaging

Pot-and-pan drawer set with lengthwise railing

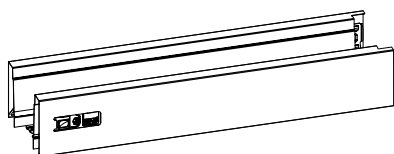
Set comprises:

- ▶ **1** 1 Drawer side profile, left and right
- ▶ **2** 2 Drawer front connectors for drawer side profile with expanding dowel
- ▶ **3** 2 Cover caps, grey plastic with Hettich logo
- ▶ **6** 1 Lengthwise railing, left and right
- ▶ **5** 2 Drawer front connectors for lengthwise railing with expanding dowel
- ▶ **8** 1 Rear panel connector, left and right
- ▶ **Optional: 4** 1 Drawer runner Quadro V6 with Silent System, left and right or for sets without Quadro

Nominal length mm	Order no.		Pot-and-pan drawer with Quadro - White	Pot-and-pan drawer without Quadro - White	PU
	Pot-and-pan drawer with Quadro - Silver	Pot-and-pan drawer without Quadro - Silver			
260	9 216 519	9 216 560	9 216 501	9 216 539	18 sets
300	9 216 520	9 216 561	9 216 502	9 216 540	18 sets
350	9 216 521	9 216 562	9 216 503	9 216 541	18 sets
420	9 216 522	9 216 563	9 216 504	9 216 542	18 sets
470	9 216 523	9 216 564	9 216 505	9 216 543	18 sets
520	9 216 524	9 216 565	9 216 506	9 216 544	18 sets
620		9 216 566		9 216 545	18 sets

Individual components

Drawer side profile, height 70 mm



- ▶ Integrated vertical and lateral adjustment
- ▶ Steel, powder coated

Nominal length mm	Order no. / surface finish / cabinet side				PU
	silver		white		
	left	right	left	right	
260	9 194 390	9 194 391	9 194 404	9 194 405	1/18 ea.
300	9 194 392	9 194 393	9 194 406	9 194 407	1/18 ea.
350	9 194 394	9 194 395	9 194 408	9 194 409	1/18 ea.
420	9 194 396	9 194 397	9 194 410	9 194 411	1/18 ea.
470	9 194 398	9 194 399	9 194 412	9 194 413	1/18 ea.
520	9 194 400	9 194 401	9 194 414	9 194 415	1/18 ea.
620	9 194 402	9 194 403	9 194 416	9 194 417	1/18 ea.

Useful Information

- | | | | |
|--------------------------------------|---------|------------------------------|---------|
| ▶ Internal front panel options | 22 - 23 | ▶ Installation / Adjustments | 73 - 80 |
| ▶ Quadro drawer runners | 28 - 35 | ▶ Quality criteria | 81 |
| ▶ Push to open Silent opening system | 36 - 39 | | |
| ▶ Other accessories | 40 - 43 | | |

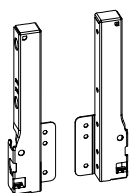


hettich.com/short/9a9ed1

InnoTech Atira double walled drawer system

- ▶ Pot-and-pan drawer with railing, height 176 mm
- ▶ Powder coated steel, silver / white

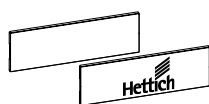
Rear panel connectors



▶ Powder coated steel

Nominal height mm	Order no. / surface finish / cabinet side				PU
	silver		white		
	left	right	left	right	
176	9 027 831	9 027 832	9 194 639	9 194 640	1/40 ea.

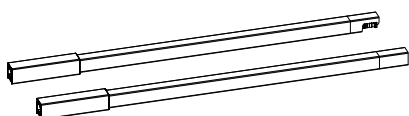
Cover caps



▶ Plastic

System colour	Finish	Order no.	PU
silver	grey with Hettich logo	9 194 646	1/300 ea.
silver	grey	9 194 643	1/300 ea.
silver	chrome look with Hettich logo	9 194 652	1/300 ea.
silver	chrome look	9 194 649	1/300 ea.
white	white with Hettich logo	9 194 647	1/300 ea.
white	white	9 194 644	1/300 ea.
white	chrome look with Hettich logo	9 194 653	1/300 ea.
white	chrome look	9 194 650	1/300 ea.

Lengthwise railing



▶ Powder coated steel

Nominal length mm	Order no. / surface finish / cabinet side				PU
	silver		white		
	left	right	left	right	
260	9 194 522	9 194 523	9 194 536	9 194 537	1/80 ea.
300	9 194 524	9 194 525	9 194 538	9 194 539	1/80 ea.
350	9 194 526	9 194 527	9 194 540	9 194 541	1/80 ea.
420	9 194 528	9 194 529	9 194 542	9 194 543	1/80 ea.
470	9 194 530	9 194 531	9 194 544	9 194 545	1/80 ea.
520	9 194 532	9 194 533	9 194 546	9 194 547	1/80 ea.
620	9 194 534	9 194 535	9 194 548	9 194 549	1/80 ea.

Useful Information

▶ Internal front pannel options	22 - 23	▶ Installation / Adjustments	73 - 80
▶ Quadro drawer runners	28 - 35	▶ Quality criteria	81
▶ Push to open Silent opening system	36 - 39		
▶ Other accessories	40 - 43		

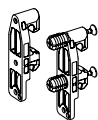


hettich.com/short/9a9ed1

InnoTech Atira double walled drawer system

- ▶ Pot-and-pan drawer with railing, height 176 mm
- ▶ Powder coated steel, silver / white

Drawer front connector for drawer side profile



- ▶ Plastic, white

Mounting option	Order no.	PU
for screwing on	1 065 191	1/400 ea.
with expanding socket	1 061 450	1/400 ea.

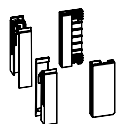
Drawer front connector for lengthwise railing



- ▶ Plastic, white

Mounting option	Order no.	PU
for screwing on	9 002 503	1/400 ea.
with expanding socket	1 061 965	1/400 ea.

TopSide adapter



- ▶ For using the **8** TopSide in glass, **9** TopSide in metal or TopSide in any chosen materials
- ▶ Plastic

Set comprises:

- ▶ 1 adapter, front, left and right
- ▶ 1 adapter, rear, left and right

Order no. / colour		PU
grey	white	
9 194 660	9 194 661	1 set

TopSide in glass



- ▶ **7** TopSide adapters must be ordered separately
- ▶ Float glass, clear

Set comprises:

- ▶ 2 TopSides

Nominal length mm	Order no.	PU
260	9 194 670	1 set
300	9 194 671	1 set
350	9 194 672	1 set
420	9 194 673	1 set
470	9 194 674	1 set
520	9 194 675	1 set
620	9 194 676	1 set

TopSide in metal



- ▶ **7** TopSide adapters must be ordered separately

Set comprises:

- ▶ 2 TopSides

Nominal length mm	Order no. / surface finish		PU
	silver	white	
260	9 194 698	9 194 705	1 set
300	9 194 699	9 194 706	1 set
350	9 194 700	9 194 707	1 set
420	9 194 701	9 194 708	1 set
470	9 194 702	9 194 709	1 set
520	9 194 703	9 194 710	1 set
620	9 194 704	9 194 711	1 set

Useful Information

▶ Internal front panel options	22 - 23	▶ Installation / Adjustments	73 - 80
▶ Quadro drawer runners	28 - 35	▶ Quality criteria	81
▶ Push to open Silent opening system	36 - 39		
▶ Other accessories	40 - 43		



hettich.com/short/9a9ed1

InnoTech Atira double walled drawer system

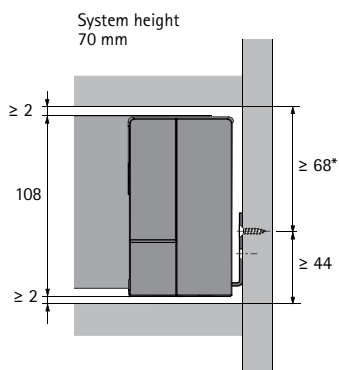
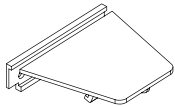
- ▶ Internal drawers/pot-and-pan drawers
- ▶ Powder coated steel, silver/white



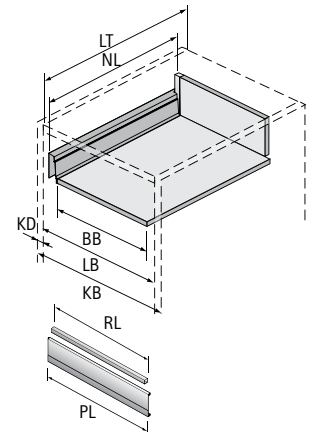
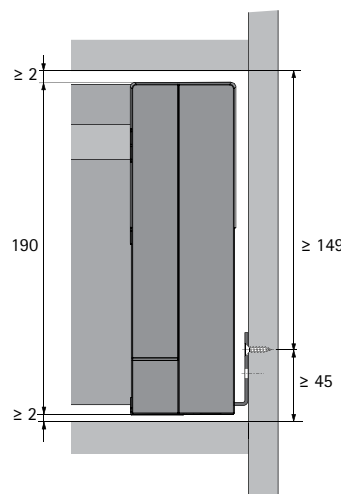
- ▶ For nominal height of 70, 144 mm
- ▶ For optional use with catch for front panel
- ▶ Cannot be combined with DesignSide / TopSide

Planning / installation dimensions

**When using the driver for internal front panel ≥ 93



System height 144 mm



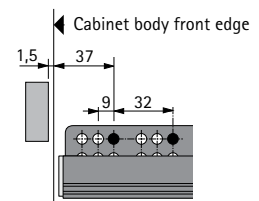
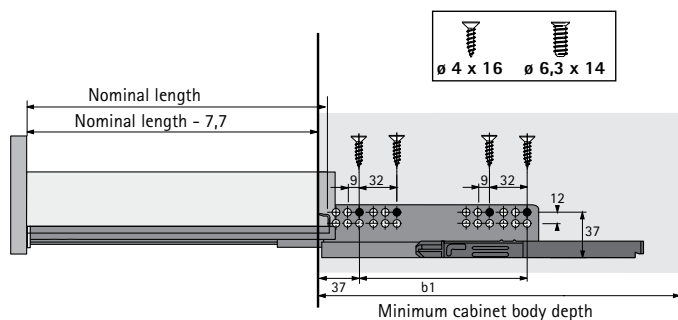
KB Cabinet body width	PL Profile length / Front panel width
RL Railing length	LB Clear inside width
NL Nominal length	LT Clear inside depth
KD Cabinet body side thicknesses	EB Installation width

KD	16
EB	12,5
A	23

Dimension	mm
PL	LB - 2 x EB - 57,6
RL	LB - 2 x EB - 90,5
LT Internal drawer NL 260	NL + 28
LT Internal drawer > NL 260	NL + 24

Positions for attaching Quadro V6 drawer runner

Nominal length mm	Hole spacing b1 mm
260	160
300	160
350	160
420	224
470	256
520	256

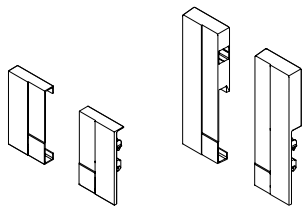


Note:
For further information, please refer to the chapter on drawer runners.

InnoTech Atira double walled drawer system

- ▶ Internal drawers/pot-and-pan drawers
- ▶ Powder coated steel, silver/white

Connector for front panel



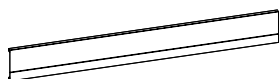
- ▶ For combining with profile for front panel
- ▶ Plastic
- ▶ Please use standard length gallery rail

Set comprises:

- ▶ 1 connector for front panel, left and right

Colour	Order no. / Nominal height mm		PU
	70	144	
silver	9 104 107	9 293 516	1 set
white	9 196 348	9 293 517	1 set

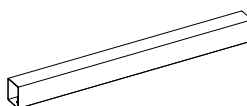
Aluminium front panel



- ▶ For cutting to length
- ▶ Length 2000 mm
- ▶ Powder coated aluminium

Colour	Order no.	PU
silver	9 194 764	1 ea.
white	9 194 765	1 ea.

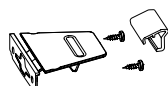
Railing for front panel



- ▶ For cutting to length
- ▶ Length 2000 mm
- ▶ Powder coated steel

Colour	Order no.	PU
silver	9 194 614	1/30 ea.
white	9 194 615	1/30 ea.

Catch



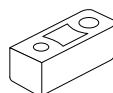
- ▶ For screwing on
- ▶ Plastic

Set comprises:

- ▶ 1 follower
- ▶ 1 profile height increaser
- ▶ Fixing material

System colour	Colour	Order no.	PU
silver / white	grey	9 235 838	1 set

Front stabiliser



- ▶ For stabilising wide front panels
- ▶ Recommended for use with cabinet bodies in a width of 600 mm and over
- ▶ Plastic, white

Order no.	PU
9 117 782	1/100 ea.



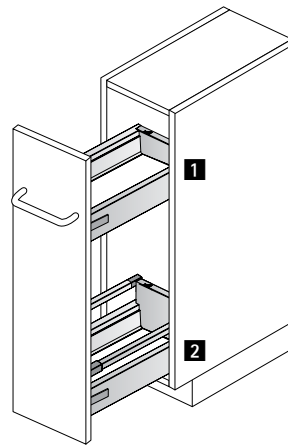
hettich.com/short/4a58b5

InnoTech Atira double walled drawer system

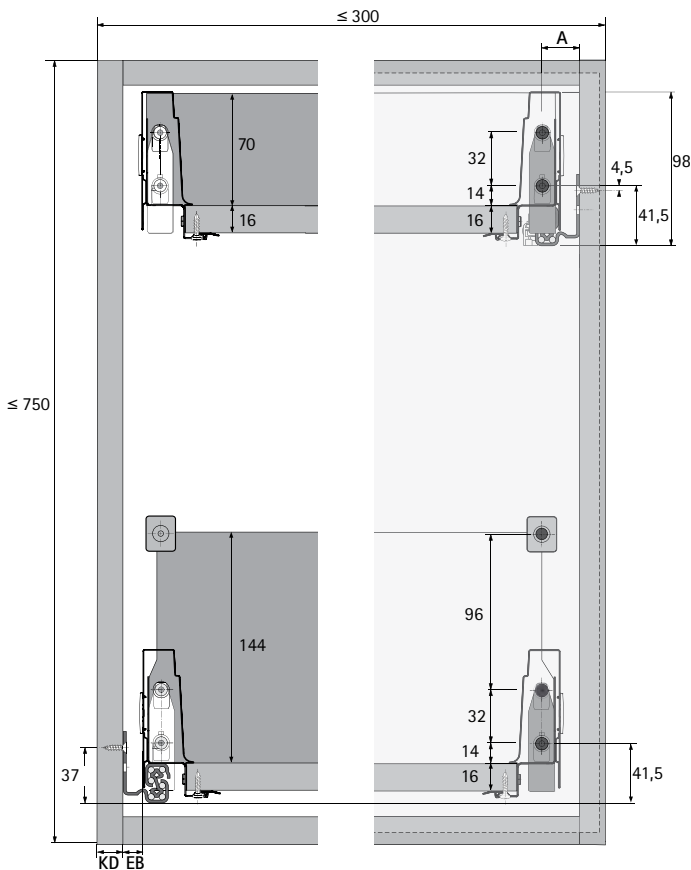
- ▶ Narrow base unit
- ▶ Powder coated steel, silver / white



- ▶ Cabinet body height max. 750 mm
- ▶ Cabinet body width max. 300 mm
- ▶ Quadro drawer runner is required on the left and right, mounted diagonally
- ▶ Total load capacity 20 kg max.
- ▶ Other configurations are also possible



Example application



Set comprises:

- ▶ 2 Drawer side profiles, left and right
- ▶ 4 Rear panel connectors, left and right
- ▶ 1 Lengthwise railing, left and right
- ▶ 4 Drawer front connectors for drawer side profile with expanding dowel
- ▶ 2 Drawer front connectors for lengthwise railing with expanding dowel
- ▶ 4 Cover caps, grey plastic with Hettich logo
- ▶ 1 Drawer runner Quadro V6 with Silent System, left and right

Nominal length mm	Silver	White	PU
470	9 214 729	9 214 727	1 set
520	9 214 730	9 214 728	1 set

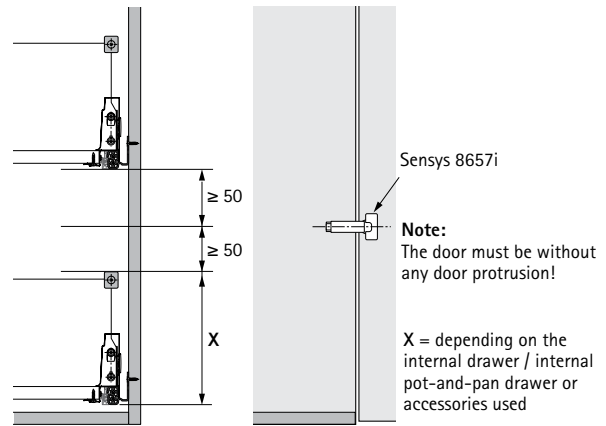
InnoTech Atira double walled drawer system

- ▶ **Pantry unit**
- ▶ **Powder coated steel, silver / white**

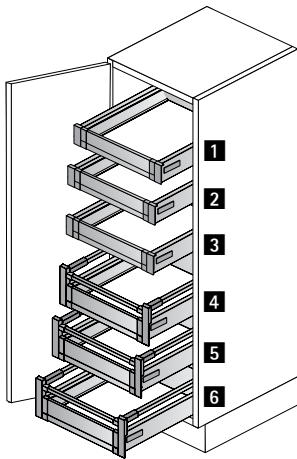


For individual cabinet body heights and widths

- ▶ Optimum use of storage space
- ▶ Recommended cabinet body widths of 450 - 1200 mm, wider than 600 mm with 2 hinged doors
- ▶ Recommended hinge: Sensys 8657i fast assembly concealed hinge
- ▶ Other configurations are also possible



Example application



Set comprises:

- ▶ 5 Drawer side profiles, left and right
- ▶ 5 Rear panel connectors, left and right
- ▶ 4 Lengthwise railing, left and right
- ▶ 1 Front for internal drawer **or**
- ▶ 1 connector for aluminium front panel, left and right
- ▶ 4 Fronts for internal pot-and-pan drawer **or**
- ▶ 4 connectors for aluminium front panel, left and right
- ▶ 10 Cover caps, grey plastic with Hettich logo
- ▶ 5 Drawer runner Quadro V6 with Silent System, left and right

***Note:**

- ▶ Internal front panel and front railing must be ordered separately, see page 29

Pantry cabinet width	Order no. / nominal length mm				PU
	Silver 470	Silver 520	White 470	White 520	
300	9 214 712	9 214 722	9 214 707	9 214 717	1 set
400	9 214 713	9 214 723	9 214 708	9 214 718	1 set
450	9 214 714	9 214 724	9 214 709	9 214 719	1 set
500	9 214 715	9 214 725	9 214 710	9 214 720	1 set
Variable width*	9 214 716	9 214 726	9 214 711	9 214 721	1 set

InnoTech Atira double walled drawer system

- ▶ Range summary
- ▶ Quadro drawer runners



Quadro 25 partial extension runner
Load capacity up to 25 kg

- ▶ with Silent System

28



Quadro V6 full extension runner
load capacity up to 30 kg

- ▶ with Silent System or Push to open

30



Quadro V6+ full extension runner
load capacity up to 50 kg

- ▶ with Silent System or Push to open

32



Synchronisation / multi synchronisation
for Push to open

34



Drawer runners for Push to open Silent

36

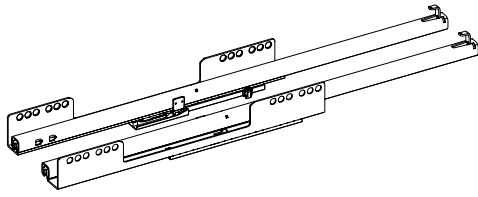


Push to open Silent opening system

38

InnoTech Atira double walled drawer system

- ▶ Quadro 25 drawer runner
- ▶ Partial extension runner, load capacity up to 25 kg



- ▶ Partial extension runner
- ▶ Slide on installation
- ▶ Load capacity to EN 15338 Level 3
- ▶ Galvanised steel

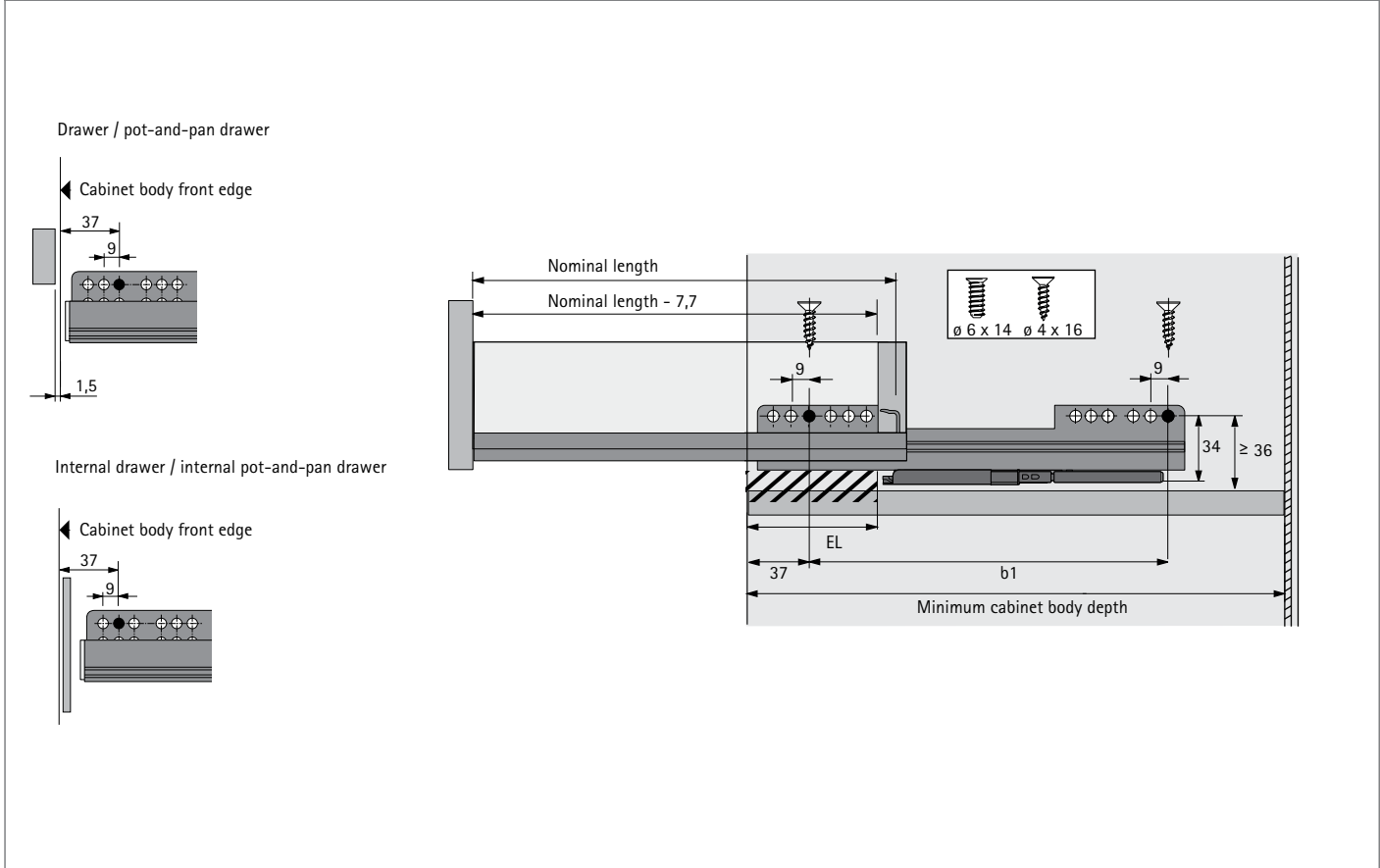
Drawer Runner (installed width EB 12.5)

Nominal length mm	Order No.		PU
	Silent system		
	left	right	
350	9 158 954	9 158 955	1/30 ea.
420	9 158 956	9 158 957	1/30 ea.
470	9 158 958	9 158 959	1/30 ea.
520	9 158 960	9 158 961	1/30 ea.

InnoTech Aтира double walled drawer system

- ▶ Quadro 25 drawer runner
- ▶ Partial extension runner, load capacity up to 25 kg

Lengthwise cross-section



Installation dimensions

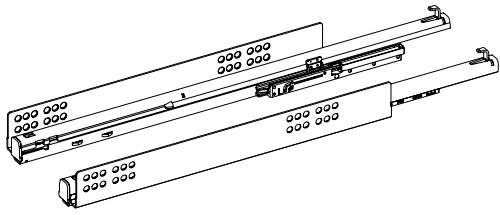
Nominal length mm	Hole spacing b1 mm	Extension loss EL mm	Drawer / pot-and-pan drawer Minimum cabinet body depth mm	Internal drawer / internal pot-and-pan drawer Minimum cabinet body depth mm
260	160	50	279	288
300	160	70	315	324
350	160	70	365	374
420	256	82	435	444
470	256	94	485	494
520	256	106	535	544



hettich.com/short/956b9b

InnoTech Atira double walled drawer system

- ▶ Quadro V6 drawer runner
- ▶ Full extension runner, load capacity up to 30 kg



- ▶ Full extension runner
- ▶ Slide on installation
- ▶ Load capacity to EN 15338 Level 3
- ▶ Galvanised steel

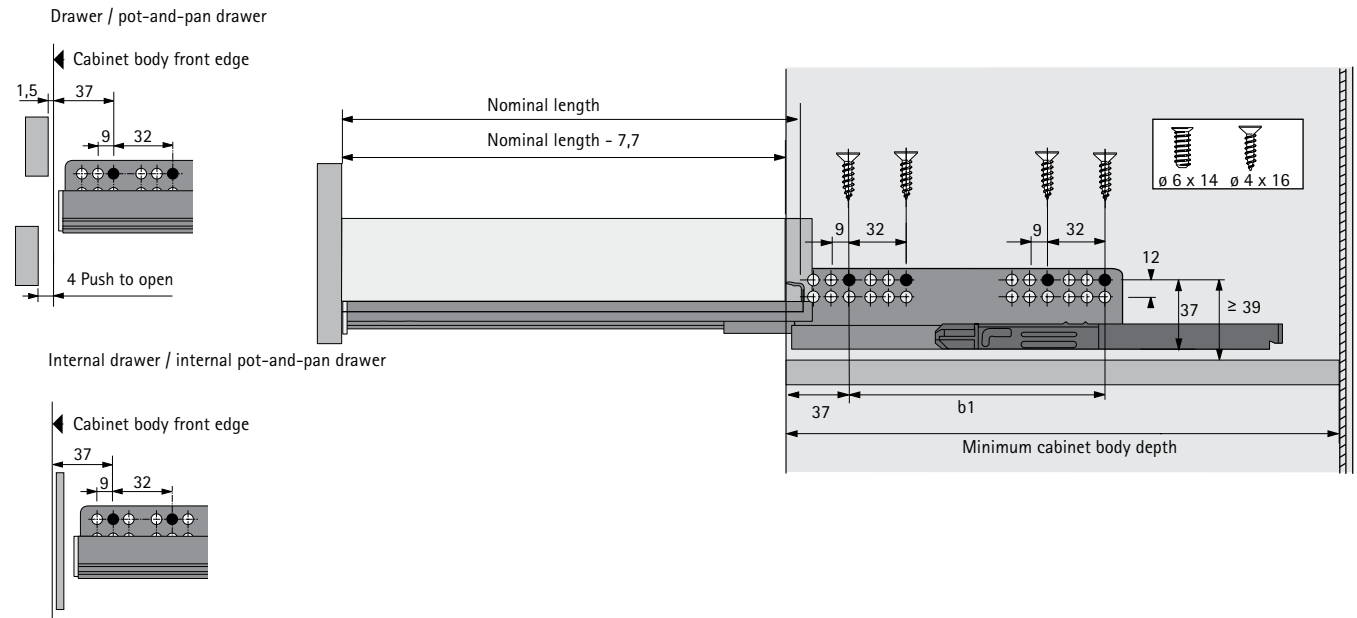
Drawer Runner (installed width EB 12.5)

Nominal length mm	Order no.				PU
	Silent system		Push to open		
	left	right	left	right	
260	9 118 019	9 118 020	9 116 754	9 116 775	1/20 ea.
300	9 117 988	9 117 991	9 117 490	9 117 501	1/20 ea.
350	9 118 013	9 118 014	9 117 473	9 117 474	1/20 ea.
420	9 101 300	9 101 301	9 116 789	9 116 790	1/20 ea.
470	9 118 054	9 118 055	9 115 820	9 115 821	1/20 ea.
520	9 118 016	9 118 018	9 117 871	9 117 872	1/20 ea.

InnoTech Aтира double walled drawer system

- ▶ **Quadro V6 drawer runner**
- ▶ **Full extension runner, load capacity up to 30 kg**

Lengthwise cross-section



Installation dimensions

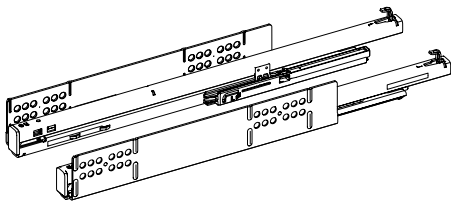
Nominal length mm	Hole spacing b1 mm	Drawer / pot-and-pan drawer Minimum cabinet body depth mm	Internal drawer / internal pot-and-pan drawer Minimum cabinet body depth mm
260	160	279	288
300	160	315	324
350	160	365	374
420	224	435	444
470	256	485	494
520	256	535	544



hettich.com/short/8c2567

InnoTech Atira double walled drawer system

- ▶ Quadro V6+ drawer runner
- ▶ Full extension runner, load capacity up to 50 kg



- ▶ Full extension runner
- ▶ Slide on installation
- ▶ Load capacity to EN 15338 Level 3
- ▶ Galvanised steel

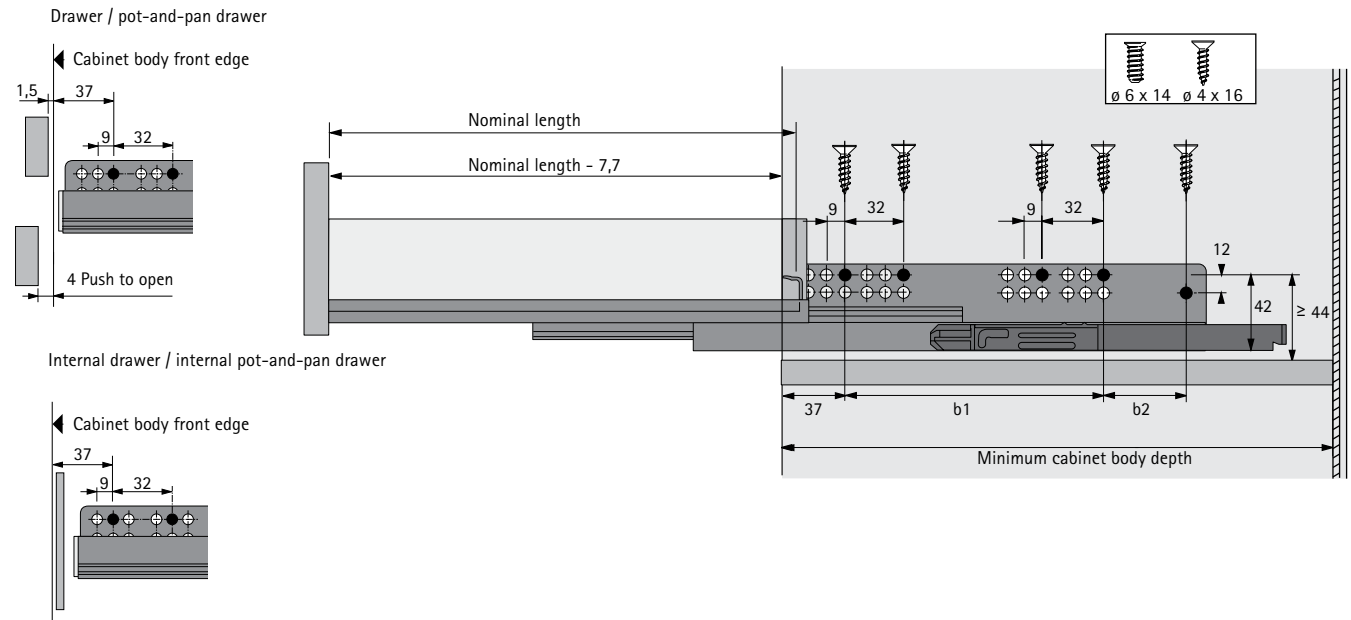
Drawer Runner (installed width EB 12.5)

Nominal length mm	Order no. / user friendly function / cabinet side			PU
	Silent system		Push to open sets	
	left	right		
420	9 126 345	9 126 346	9 143 503	1/16 ea.
470	9 117 993	9 117 994	9 143 504	1/16 ea.
520	9 117 995	9 117 997	9 143 505	1/16 ea.
620	9 126 347	9 126 348	9 143 506	1/8 ea.

InnoTech Aтира double walled drawer system

- ▶ **Quadro V6+ drawer runner**
- ▶ **Full extension runner, load capacity up to 50 kg**

Lengthwise cross-section



Installation dimensions

Nominal length mm	Hole spacing b1 mm	Hole spacing b2 mm	Drawer / pot-and-pan drawer Minimum cabinet body depth mm	Internal drawer / internal pot-and-pan drawer Minimum cabinet body depth mm
300	160		315	324
350	192		365	374
420	224		435	444
470	256		485	494
520	256		535	544
620	352	64	635	644

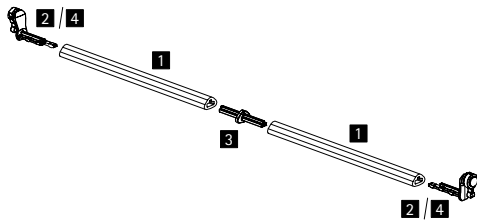


hettich.com/short/85ec6b

InnoTech Atira double walled drawer system

- ▶ Quadro V6 and Quadro V6+ drawer runners
- ▶ Synchronisation for Push to open

Synchronisation for Quadro Push to open



- ▶ Highly recommended for cabinet widths of 600mm and over
- ▶ For nominal lengths of 260 - 620 mm
- ▶ Synchronisation bar for cutting to length, up to max. cabinet body width of 2000 mm, can be extended with connector
- ▶ Cannot be used with Quadro partial extension runners

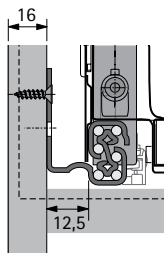
The following items are required for use:

- ▶ 1 synchronisation bar
- ▶ 2 adapters
- ▶ Waste can be minimised using the connector

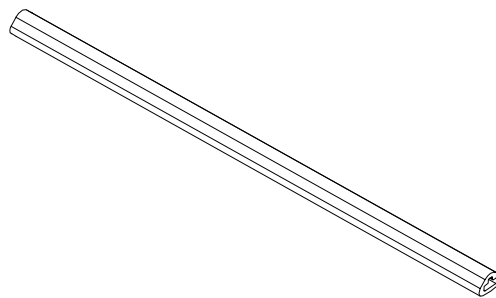
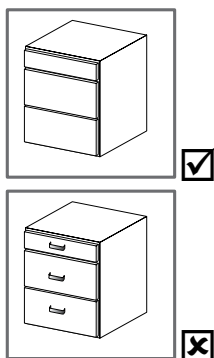
Article	Order no.	PU
1 synchronisation bar	9 236 718	1/100 ea.
2 adapters, type A	9 219 966	1/200 ea.
3 connectors	9 221 295	1/20 ea.
4 adapters, type B	9 219 965	1/200 ea.

Quadro installed width

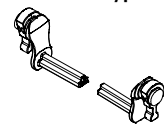
KD mm	16
EB mm	12,5



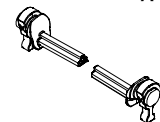
Push to open with optional synchronisation



Quadro V6 type B



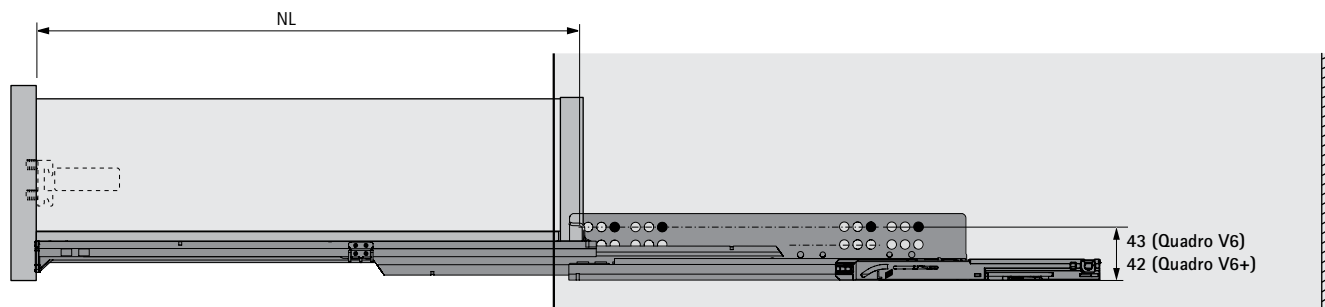
Quadro V6+ type A



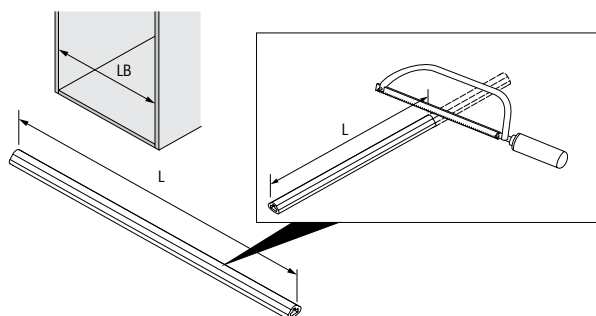
InnoTech Aтира double walled drawer system

- ▶ Quadro V6 and Quadro V6+ drawer runners
- ▶ Synchronisation for Push to open

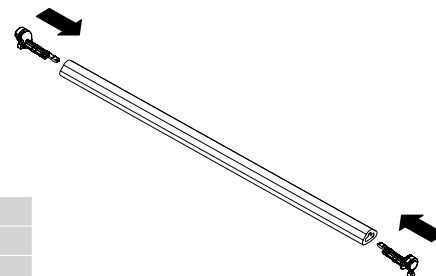
Lengthwise cross-section



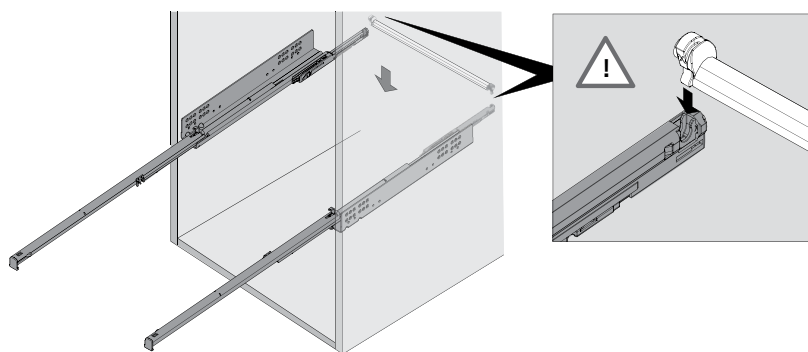
Dimensions for cutting to size



L
EB 12,5
Quadro V6
Quadro V6+
LB - 71



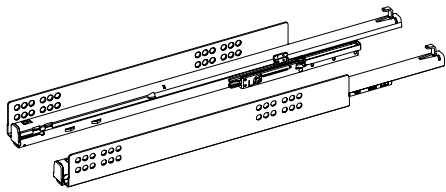
Installation



hettich.com/short/690699

InnoTech Atira double walled drawer system

- ▶ Quadro drawer runners for Push to open Silent
- ▶ Full extension runner



- ▶ Only used with the Push to open Silent opening system (see next page)
- ▶ Full extension runner
- ▶ Slide on installation
- ▶ Load capacity to EN 15338 Level 3
- ▶ Galvanised steel

Drawer Runner (installed width EB 12.5)

Nominal length mm	Order no.			PU
	Quadro V6 Push to open Silent 10 kg sets	30kg sets	Quadro V6+ 50 kg sets	
260	9 243 709	9 243 718		1 set
300	9 243 712	9 243 721		1 set
350	9 243 715	9 243 724		1 set
420		9 243 727	9 243 778	1 set
470		9 243 730	9 243 781	1 set
520		9 243 733	9 243 784	1 set
620			9 243 787	1 set

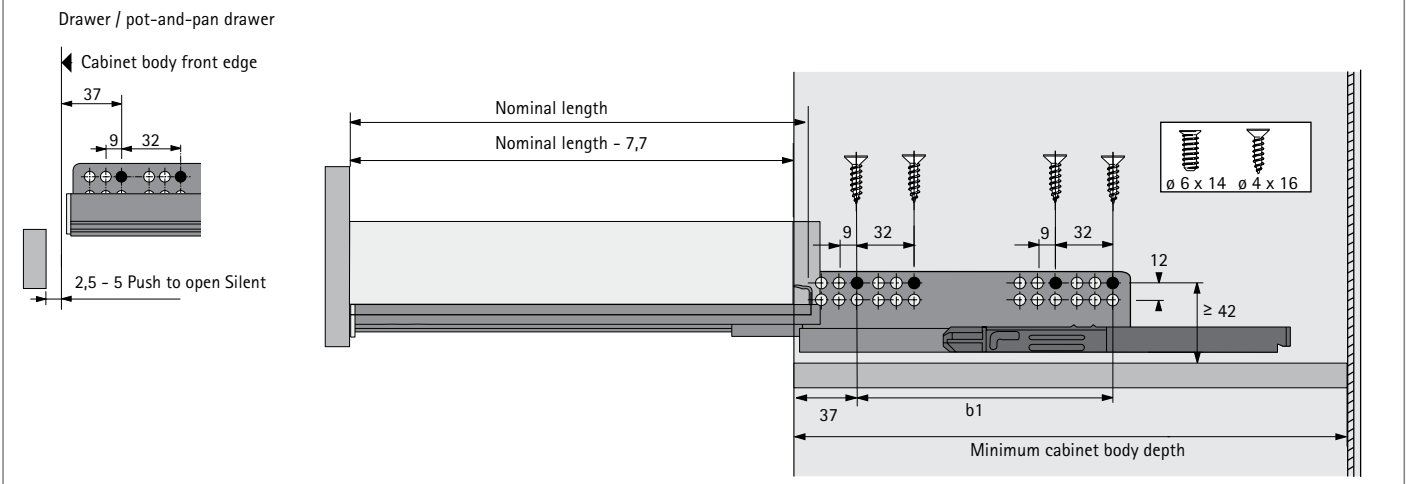


hettich.com/short/6625fd

InnoTech Aтира double walled drawer system

- ▶ Quadro drawer runners for Push to open Silent
- ▶ Full extension runner

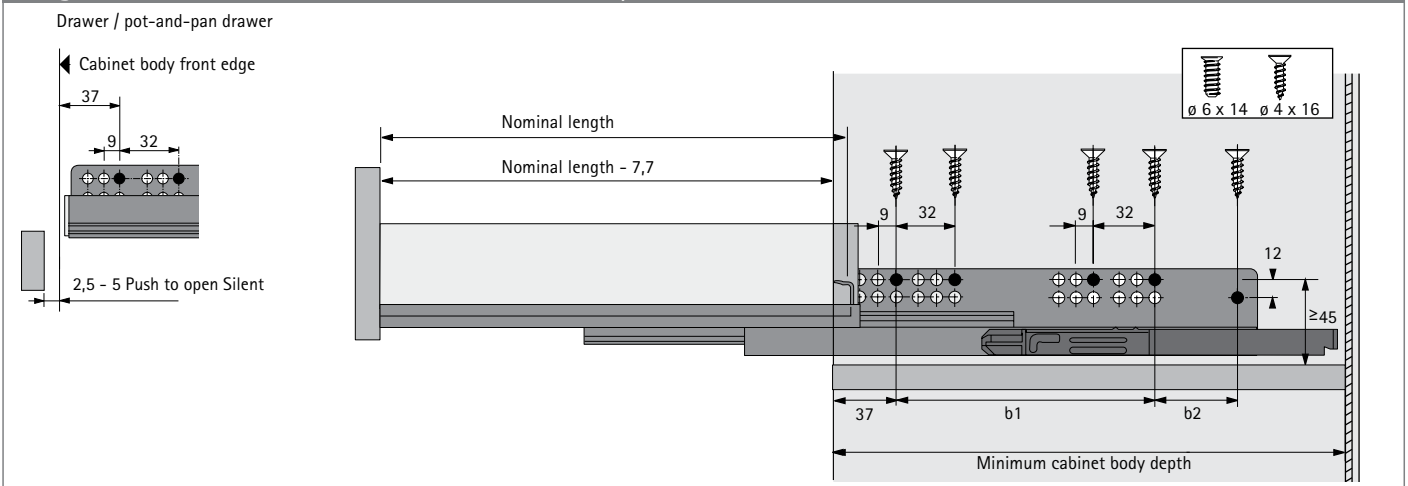
Lengthwise cross-section Quadro V6 Push to open Silent



Installation dimensions

Nominal length mm	Hole spacing b1 mm	Drawer / pot-and-pan drawer Minimum cabinet body depth mm	Internal drawer / internal pot-and-pan drawer Minimum cabinet body depth mm
260	160	279	288
300	160	315	324
350	160	365	374
420	224	435	444
470	256	485	494
520	256	535	544

Lengthwise cross-section Quadro V6+ Push to open Silent



Installation dimensions

Nominal length mm	Hole spacing b1 mm	Hole spacing b2 mm	Drawer / pot-and-pan drawer Minimum cabinet body depth mm	Internal drawer / internal pot-and-pan drawer Minimum cabinet body depth mm
260				
300	160		315	324
350	192		365	374
420	224		435	444
470	256		485	494
520	256		535	544
620	352	64	635	644

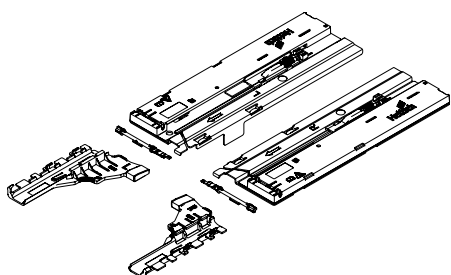
InnoTech Atira double walled drawer system

► Push to open Silent opening system



- Opening system combined with Silent System
- System permits minimum drawer front gap of 2.5 mm
- For optimum performance and activation, we recommend fitting an optional synchronisation function
- With the flexible adapter, synchronisation is also possible on curved or angled front panels
- 3-dimensional front panel adjustment for the drawer, 4-dimensional for the pot-and-pan drawer
- A system that stores pushing energy helps to slow down closing action
- Drawers can still be pulled open / guided closed
- Tool-less assembly
- Suitable for all nominal drawer lengths and cabinet body widths of 275 mm and over

Push to open Silent opening system for InnoTech Atira



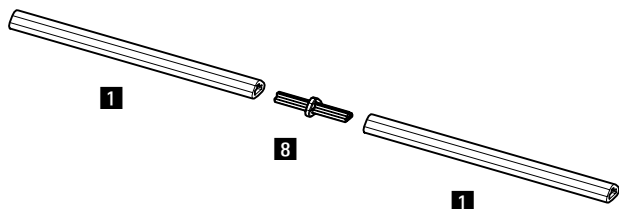
- For optimum performance and activation, we recommend fitting an optional synchronisation function

Set comprises:

- 1 Push to open Silent unit, left and right
- 1 activator, left and right
- 2 adapters for synchronisation

Total weight kg	Quadro kg	Nominal length mm	Order no.	PU
<10	10 (V6)	260 - 350	9 240 161	1 set
8 - 20	30 (V6)	260 - 520	9 240 162	1 set
10 - 30	30 (V6)	260 - 520	9 240 163	1 set
20 - 50	50 (V6+)	300 - 520	9 240 164	1 set

Synchronisation bar and connector



Synchronisation bar:

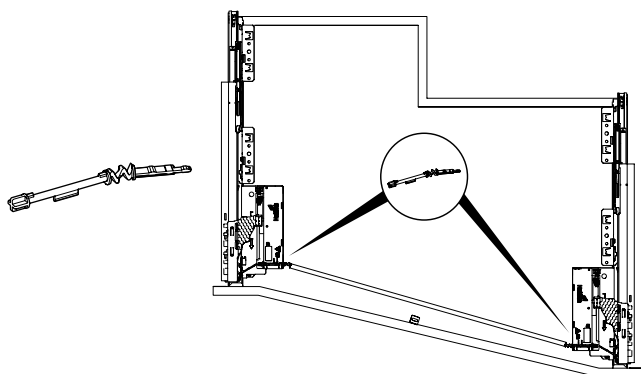
- For cutting to size
- Length 2000 mm
- Aluminium anodised

Connector:

- For extending synchronisation bar / optimising synchronisation bar offcut waste
- Plastic, grey

Article	Order no.	PU
1 synchronisation bar	9 236 718	1/100 ea.
8 connectors	9 221 295	1/20 ea.

Flexible adapter



- For use in conjunction with lowered drawer runners with angled or curved fronts
- Replaces the adapter for synchronisation in the Push to open Silent set

Order no.	PU
9 262 213	1/20 ea.

InnoTech Atira double walled drawer system

► Push to open Silent opening system

Recommendation for drawer (front panel height up to approx. 150 mm)*

Nominal length mm	Nominal width mm											
	275	300	350	400	500	600	700	800	900	1000	1100	1200
260												
300												
350												
420												
470												
520												
620												

Recommendation for pot-and-pan drawer (front panel height up to approx. 300 mm, light to medium duty loading)*

Nominal length mm	Nominal width mm											
	275	300	350	400	500	600	700	800	900	1000	1100	1200
260												
300												
350												
420												
470												
520												
620												

Recommendation for pot-and-pan drawer, heavy duty (front panel height up to approx. 300 mm, heavy duty loading, e.g. with stacks of plates)*

Nominal length mm	Nominal width mm											
	275	300	350	400	500	600	700	800	900	1000	1100	1200
260												
300												
350												
420												
470												
520												
620												

Order no. Push to open Silent:

9 240 161

9 240 162

9 240 163

9 240 164

* Recommendations for applications (front panel 19 mm chipboard, normal household loading), please refer to our online configurator to get more exact recommendations for customer chosen front panel dimensions and materials.



For further information:
<http://www.hettich.com/short/3e1c7c>



hettich.com/short/577293

InnoTech Atira double walled drawer system

- ▶ Optional accessories
- ▶ Front / side stabiliser

Side stabiliser



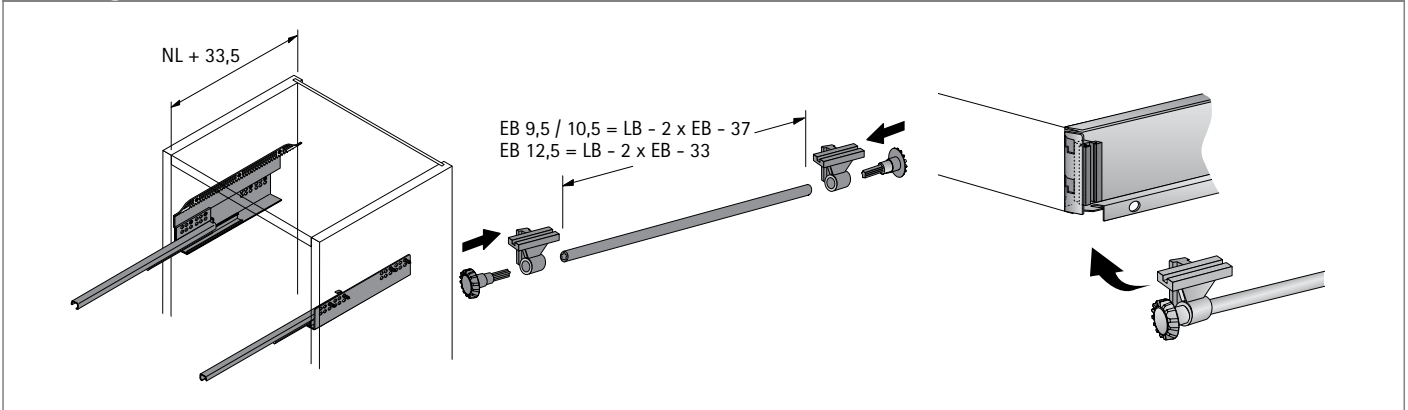
- ▶ Use recommended on cabinet bodies in a width of 800 mm and over
- ▶ For nominal lengths of 260 - 620 mm
- ▶ Cannot be used with Quadro drawer runner with Push to open

Set comprises:

- ▶ 2 gear racks, plastic
- ▶ 1 shaft for cutting to length, for max. cabinet body width of 1200 mm, aluminium
- ▶ 2 cogwheels, plastic
- ▶ 2 retainers, plastic
- ▶ 2 bearings for shaft, plastic

Order no.	PU
9 079 333	1 set

Planning dimensions / installation



EB drilling jig for InnoTech side stabiliser



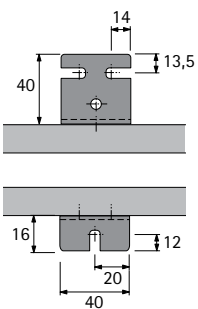
- ▶ Jig for drilling positions for attaching InnoTech / InnoTech Atira side stabiliser (order no. 9 079 333)
- ▶ Plastic, white

Installed width mm	Order no.	PU
12.5	9 080 311	1 ea.

InnoTech Aтира double walled drawer system

- ▶ Optional accessories
- ▶ Front / side stabiliser

Front bracket



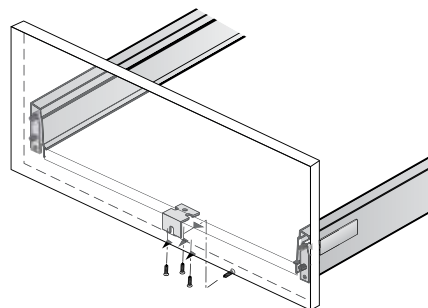
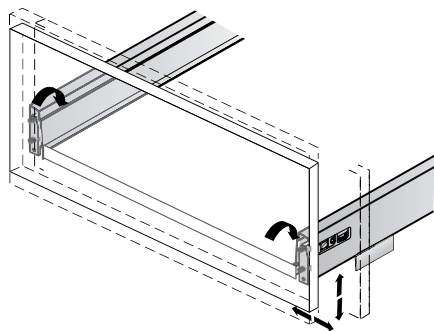
- ▶ For stabilising wide and / or high fronts
- ▶ Recommended for use with cabinet bodies over 600 mm wide and / or front heights over 450 mm
- ▶ For mounting under the drawer / pot-and-pan drawer after adjusting the drawer front

Set comprises:

- ▶ 1 front bracket, chromated steel
- ▶ 3 special screws, $\varnothing 5 \times 14$ mm
- ▶ 1 panhead screw, $\varnothing 4.0 \times 12$ mm

Order no.	PU
9 079 232	1 set

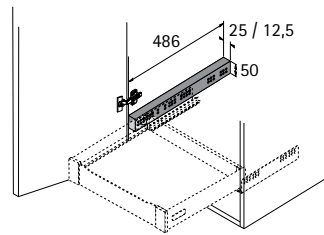
Installation



InnoTech Atira double walled drawer system

► Other accessories

Spacer profile



- For bridging the hinge protrusion when using internal pot-and-pan drawers
- To span greater spaces, several profiles can be clipped on top of one another
- The spacer profiles can also be used for tolerance compensation
- Plastic, white

Width x depth x height mm	Order no.	PU
25 x 486 x 50	0 013 952	1 ea.

Direct fixing screw



- For attaching the Quadro drawer runner
- \varnothing 6.3 x 14 mm
- Shallow countersunk head
- Pozidrive screw
- Steel, galvanised

Order no.	PU
0 051 265	200 ea.

Chipboard screw, countersunk head



- For attaching Quadro runners
- \varnothing 4 x 16 mm
- Pozidrive screw
- Steel, nickel plated

Order no.	PU
0 010 085	200 ea.

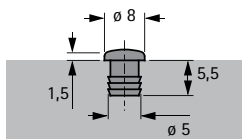
Chipboard screw, pan head



- For installing the drawer base as well as the wooden or aluminium rear panel
- Pozidrive screw
- Galvanised steel

Dimensions mm	Order no.	PU
\varnothing 3.5 x 12	0 045 167	200 ea.
\varnothing 3.5 x 20	0 045 168	200 ea.

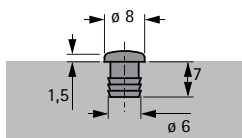
Drawer damper for pressing in



- For drilling $\varnothing 5 \times 5.5$ mm
- Plastic, transparent

Order no.	PU
9 079 298	1/1000 ea.

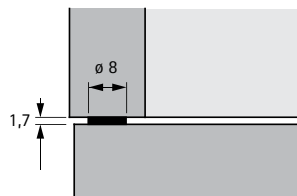
Drawer damper for pressing in



- For drilling $\varnothing 6 \times 7$ mm
- Plastic

Colour	Order no.	PU
white	0 025 048	1/1000 ea.

Drawer damper for sticking on



- Self adhesive
- Plastic, transparent

Order no.	PU
0 072 120	50 ea.

InnoTech Atira double walled drawer system

- ▶ Range summary, interior organisation
- ▶ Powder coated steel, white



OrgaTray 440
for drawers / internal drawers

45



OrgaTray 490
for drawers / internal drawers

46



OrgaTray 590
for drawers / internal drawers

47



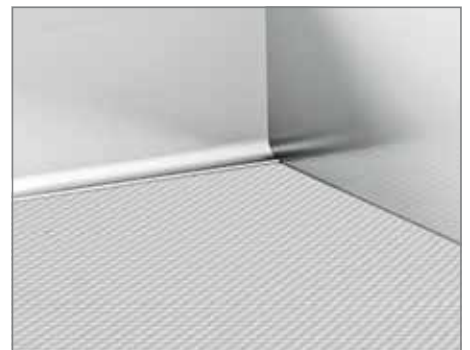
OrgaStore 410 for pot-and-pan drawers /
internal pot-and-pan drawers

48



OrgaStore 820 for pot-and-pan drawers /
internal pot-and-pan drawers

49



Accessories

50

InnoTech Aтира double walled drawer system

- ▶ Internal organisation system for drawers and internal drawers
- ▶ Plastic, Silver/White



- ▶ For general-purpose use
- ▶ Knife and spice rack can be incorporated, see page 50
- ▶ Plastic.

OrgaTray 440

Tray width mm	Minimum cabinet width mm	Nominal width mm	white		silver		PU
			Order no. / Depth mm		Order no. / Depth mm		
			370 - 440	441 - 520			
201 - 250	310 - 359	350	9 194 949	9 194 962	9 194 918	9 194 931	1 ea.
251 - 300	360 - 409	400	9 194 950	9 194 963	9 194 919	9 194 932	1 ea.
301 - 350	410 - 459	450	9 194 951	9 194 964	9 194 920	9 194 933	1 ea.
351 - 400	460 - 509	500	9 194 952	9 194 965	9 194 921	9 194 934	1 ea.
401 - 450	510 - 559	550	9 194 953	9 194 966	9 194 922	9 194 935	1 ea.
451 - 500	560 - 609	600	9 194 954	9 194 967	9 194 923	9 194 936	1 ea.
501 - 600	610 - 709	700	9 194 955	9 194 968	9 194 924	9 194 937	1 ea.
601 - 700	710 - 809	800	9 194 956	9 194 969	9 194 925	9 194 938	1 ea.
701 - 800	810 - 909	900	9 194 957	9 194 970	9 194 926	9 194 939	1 ea.
801 - 900	910 - 1009	1000	9 194 958	9 194 971	9 194 927	9 194 940	1 ea.
1091 - 1150	1200 - 1259	1200	9 194 960	9 194 973	9 194 929	9 194 942	1 ea.

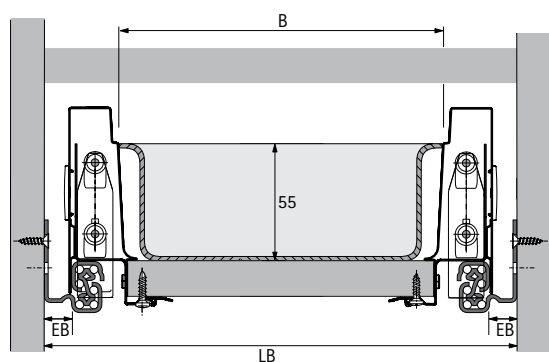
Partitioning

D 370 - 440													
D 441 - 520													
D 581 - 620													
W	175-200	201-250	251-300	301-350	351-400	401-450	451-500	501-600	601-700	701-800	801-900	901-1000	1091-1150
NW	275	300	350	400	450	500	550	600	700	800	900	1000	1200

* = knife and spice rack can be incorporated

D = Depth W = Width NW = Nominal width

Dimensional drawing



- ▶ Trimmed width (B) = LB - 62
- ▶ When using edge profiles, see page 104:
Trimmed width (B) = LB - 66
- ▶ Trimmed depth = nominal length - 7.7

InnoTech Atira double walled drawer system

- ▶ Internal organisation system for drawers and internal drawers
- ▶ Plastic, Silver/White



- ▶ Variable in width, suitable for cabinet width starting from 450 mm
- ▶ Two trays can be fitted in a cabinet width starting from 800 mm
- ▶ Plastic.

OrgaTray 490

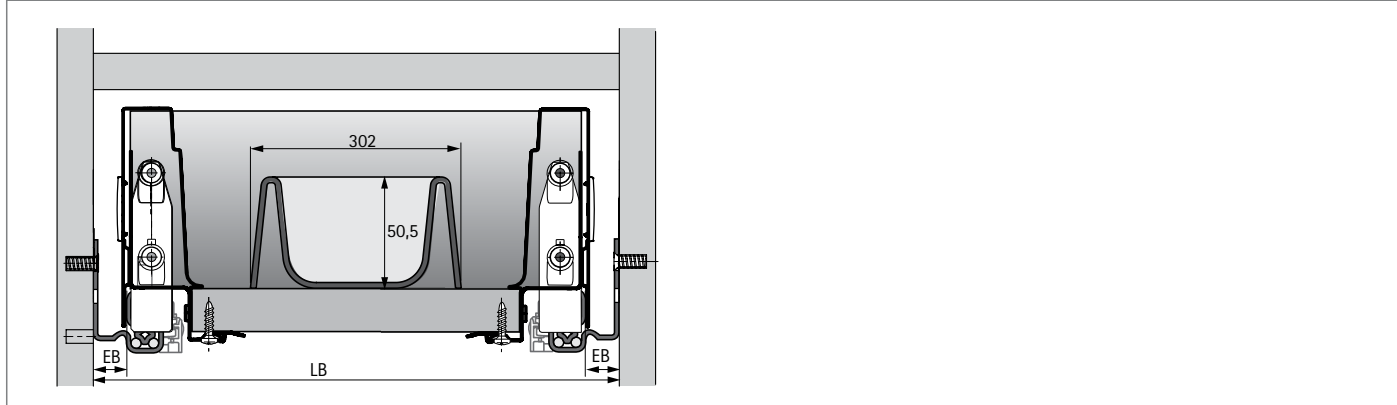
Order no. / nominal length mm				PU
Silver		White		
470	520	470	520	
9 207 243	9 207 242	9 207 243	9 207 245	1 ea.

Partitioning

NL	D	
470	462	
520	512	
W	326	
CW	≥ 450	

NL = Nominal length D = Depth W = Width CW = Cabinet body width

Dimensional drawing



InnoTech Atira double walled drawer system

- ▶ Internal organisation system for drawers and internal drawers
- ▶ Plastic, Silver/White



- ▶ For nominal length 470 mm
- ▶ Suitable for standard cabinet width
- ▶ Plastic, white

- Set comprises:
- ▶ 1 plastic cutlery tray
 - ▶ Dividing elements for partitioning drawer to suit needs (quantity differs depending on width, see illustration of partitioning)

OrgaTray, 590

Cabinet width mm	Order no.	Order no.	PU
	Silver	White	
300	9 194 886	9 194 897	1 set
400	9 194 887	9 194 898	1 set
450	9 194 888	9 194 899	1 set
500	9 194 889	9 194 900	1 set
600	9 194 891	9 194 902	1 set
800	9 194 892	9 194 903	1 set
900	9 194 893	9 194 904	1 set
1000	9 194 894	9 194 905	1 set

Partitioning

NL	D	Partitioning diagrams								
470	462									
W		207	307	357	407	457	507	707	807	907
CW		300	400	450	500	550	600	800	900	1000

NL = Nominal length D = Depth W = Width CW = Cabinet body width

Dividing elements



- ▶ For OrgaTray 590

Nominal length mm	Order no.	Order no.	PU
	Silver	White	
68	9 204 229	9 204 230	1/50 ea.
128	9 005 931	9 204 201	1/50 ea.

InnoTech Atira double walled drawer system

- ▶ Internal organisation system for pot-and-pan drawers and internal pot-and-pan drawers
- ▶ Plastic, Silver/White



- ▶ For pot-and-pan drawer or internal pot-and-pan drawer with railing
- ▶ Crosswise railings and lengthwise dividers must be ordered separately
- ▶ It is recommended to fit an anti-slip mat

OrgaStore 410 cut to size



- ▶ Suitable for customised carcass widths
- ▶ Crosswise railing, adapter and lengthwise divider must be ordered separately
- ▶ B = LB - 65.5
- ▶ Adapter, plastic

Article	Length mm	Silver	White	PU
Crosswise railing	2000	9 194 614	9 194 615	1/30 ea.
Adapter		9 194 617	9 194 619	1/20 ea.

OrgaStore 410 lengthwise divider



- ▶ Plastic

Silver	White	PU
9 194 618	9 194 620	1/10 ea.

InnoTech Aтира double walled drawer system

- ▶ Internal organisation system for pot-and-pan drawers and internal pot-and-pan drawers
- ▶ Plastic, Silver/White



- ▶ Suitable for standard cabinet width
- ▶ Aluminium profile can be trimmed to suit variable widths
- ▶ Available for cabinet width starting from 300 mm
- ▶ Plastic elements, white

Set comprises:

- ▶ 1 aluminium profile with plastic adapters
- ▶ Plastic dividing elements

OrgaStore 820 divider



- ▶ Height 125 mm
- ▶ Also available for adding to set

Silver	White	PU
9 194 867	9 182 230	1/15 ea.

Adapter



- ▶ Height 125 mm
- ▶ Plugs onto aluminium profile without the need for tools
- ▶ 2 adapters are required for a set

Silver	White	PU
9 194 866	9 182 233	1/30 ea.

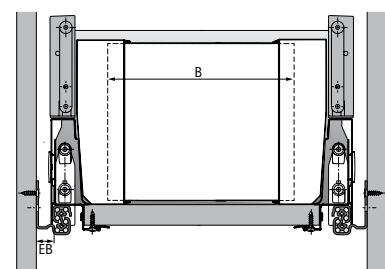
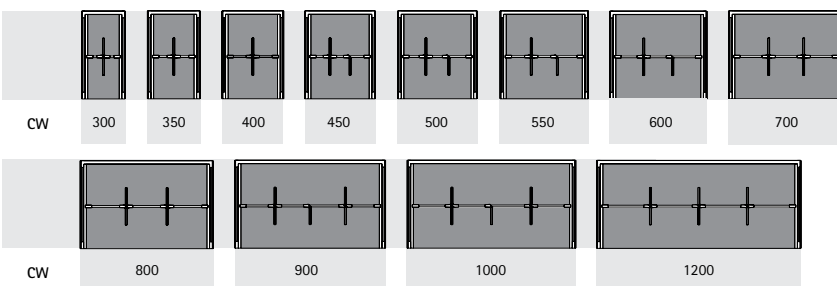
OrgaStore 820 aluminium profile



- ▶ Height 120 mm
- ▶ Length 2000 mm
- ▶ Cut to size

Silver	White	PU
9 194 868	9 182 249	1 ea.

Partitioning

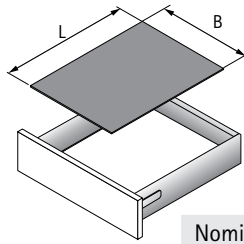


▶ B = LB - 97

InnoTech Atira double walled drawer system

► Accessories for interior organisation

Anti-slip mat



- For inserting into the drawer or pot-and-pan drawer
- 5 m roll
- Plastic, white

Advice:

- Trimmed width (B) = LB - 84
- Cut length (L) = nominal length - 7.7

Nominal length mm	Silver	White	PU
470	9 209 533	9 209 572	1 ea.
520	9 209 536	9 209 574	1 ea.
650	9 209 568	9 209 575	1 ea.

Knife holder and spice rack



- For OrgaTray 440
- Beech, lacquered

Article	Order no.	PU
1 Knife holder	0 074 430	1 ea.
2 Spice rack, standing, ø 53 mm	0 044 934	1 ea.
3 Spice rack, lying flat	9 079 207	1 ea.

InnoTech Atira double walled drawer system

- ▶ Range summary - solutions with bottom cutout
- ▶ Powder coated steel, white



**Banio
for drawers / pot-and-pan drawers
52**



**Metal surround for under sink solutions
for drawers / pot-and-pan drawers
53**

InnoTech Atira double walled drawer system

- ▶ Solutions with bottom cutout
- ▶ Plastic, Silver/White



- ▶ For drawer or pot-and-pan drawer
- ▶ Can be used for nominal lengths up to 470 mm
- ▶ Suitable for cabinet width starting from 600 mm
- ▶ Total frame height 87 mm
- ▶ Frame set and container set must be ordered separately

Banio frame set



- ▶ Plastic

Silver	White	PU
9 153 387	9 153 385	1 set

Banio container set



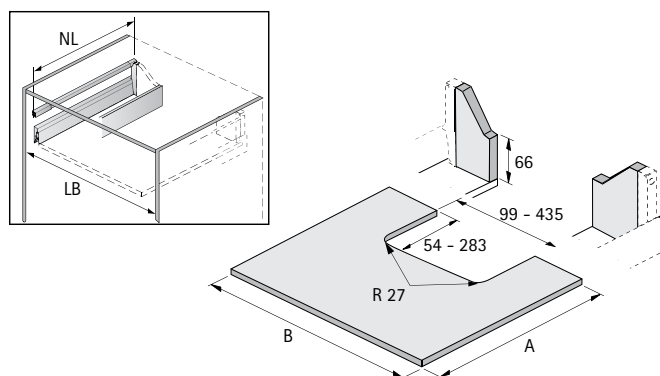
- ▶ The set comprises 3 trays
- ▶ 84 mm x 84 mm / 84 mm x 168 mm / 84 mm x 252 mm
- ▶ Plastic, translucent white

Set comprises:

- ▶ 3 trays, translucent plastic

Order no.	PU
9 153 388	1 set

Dimensions for cutting to size



- ▶ Dimension A = NL + 10
- ▶ Dimension B = LB - 76.5

InnoTech Atira double walled drawer system

- ▶ Solutions with bottom cutout
- ▶ Powder coated steel, silver/white

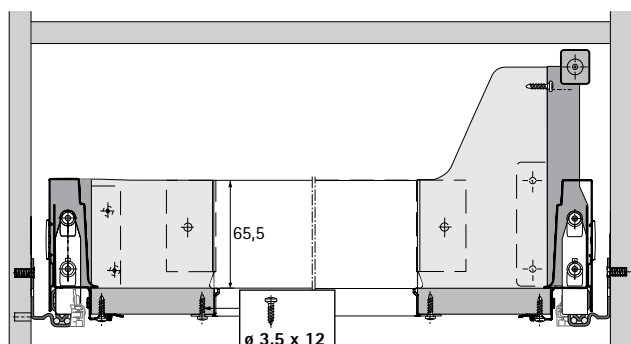


- ▶ For utilising the space below the sink
- ▶ For drawers and pot-and-pan drawers

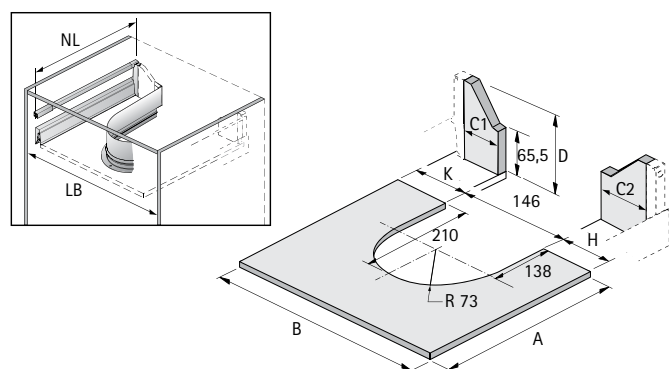
Metal surround

Silver	White	PU
9 204 282	9 204 283	1 ea.

Dimensional drawing



Dimensions for cutting to size



- ▶ Dimension A = NL + 10
- ▶ Dimension B = LB - 76.5
- ▶ Dimension C1 = K - 20
- ▶ Dimension C2 = H - 20

InnoTech Atira double walled drawer system

- ▶ Waste collecting systems
- ▶ Summary



InnoTech Pull

56



InsertFlex

59



Bin.it Vario

61



Bin.it Flex

62



**Replacement bin / lid
Summary**

63







Laundry basket pull-out InnoTech Pull Laundry

65

InnoTech Atira double walled drawer system

- ▶ Waste collecting systems
- ▶ Range summary / technical comparison

	InnoTech Pull	InsertFlex	Bin.it Vario	Bin.it Flex
				
Page	56	59	61	62
Description	<ul style="list-style-type: none"> ▶ Top running for <ul style="list-style-type: none"> - InnoTech Atira drawers - Quadro full extension runner ▶ Silent System 	<ul style="list-style-type: none"> ▶ Bottom running for pot-and-pan drawers ▶ Bin system can be installed later as long as enough space is available inside the cabinet 	<ul style="list-style-type: none"> ▶ Bottom running for pot-and-pan drawers ▶ Bin system can be installed later as long as enough space is available inside the cabinet 	<ul style="list-style-type: none"> ▶ Bottom running for pot-and-pan drawers ▶ Bin system can be installed later as long as enough space is available inside the cabinet
For cabinet width mm	<ul style="list-style-type: none"> ▶ 300, 400, 450, 500 or 600 mm 	<ul style="list-style-type: none"> ▶ 450, 500, 600 or 900 mm 	<ul style="list-style-type: none"> ▶ 300 mm ▶ 450 - 600 mm ▶ 600 - 1200 mm 	<ul style="list-style-type: none"> ▶ 600 mm ▶ 900 mm
Capacity l	<p>Various bin combinations can be used ensuring the flexibility of this system</p>	<ul style="list-style-type: none"> ▶ 18L + 2x 8L ▶ 2x 18L + 2x 8L 	<ul style="list-style-type: none"> ▶ 17L + 8L ▶ 17L + 2x 8L ▶ 17L + 11L + 8L + 5L ▶ 40L 	<ul style="list-style-type: none"> ▶ 2x 12L ▶ 2x 12L + 2x 5.5L
Optional opening systems	<ul style="list-style-type: none"> ▶ Easys electromechanical opening system ▶ Push to open ▶ Foot pedal 	<ul style="list-style-type: none"> ▶ Easys electromechanical opening system ▶ Push to open 	<ul style="list-style-type: none"> ▶ Easys electromechanical opening system ▶ Push to open 	<ul style="list-style-type: none"> ▶ Easys electromechanical opening system ▶ Push to open

InnoTech Atira double walled drawer system

- ▶ Waste collecting systems behind front panels
- ▶ InnoTech Pull



- ▶ Top running waste collector for InnoTech Atira drawer, height 70 mm
- ▶ The InnoTech Pull frame is fitted instead of the drawer base
- ▶ Frame can be equipped as required with various bins and accessories
- ▶ Please order bin separately
- ▶ InnoTech Atira drawer components must be ordered separately
- ▶ Bin system can be used with Quadro V6 full extension Silent System and Push to open
- ▶ Powder coated steel, anthracite

Set comprises:

- ▶ 1 fitted frame including front stay and lid
- ▶ Fixing material

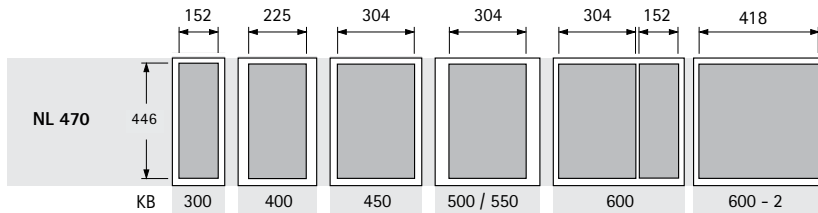
Page reference:

- ▶ For bins, see page 57
- ▶ For InnoTech Atira drawer components, see pages 10 - 12

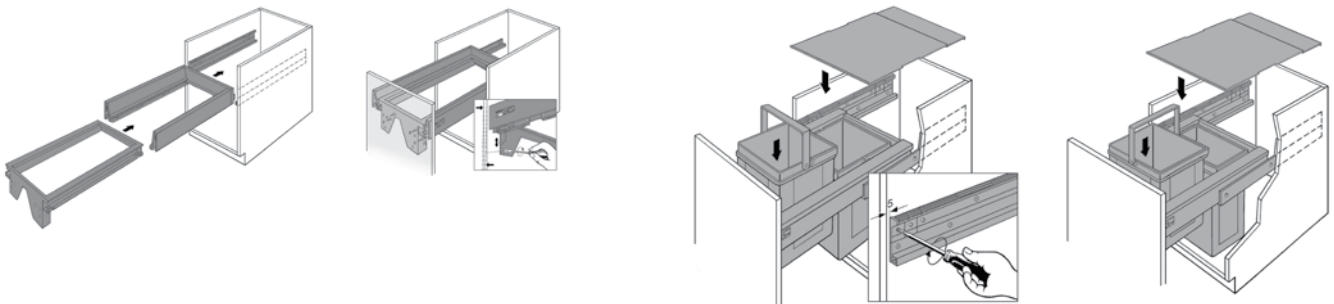
InnoTech Pull frame

For carcase width mm	Type	Order no. / nominal length	PU
		470	
300		9 279 409	1 set
400		9 279 410	1 set
450		9 279 411	1 set
500		9 279 412	1 set
600		9 279 413	1 set
600	600 - 2 (for 2 x 40 l)	9 279 414	1 set

Partitioning

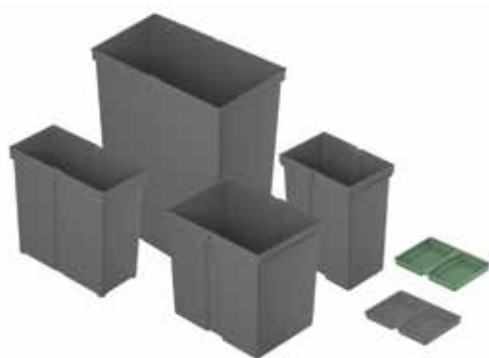


Installation



InnoTech Atira double walled drawer system

- ▶ Waste collecting systems behind front panels
- ▶ InnoTech Pull



- ▶ For fitting any chosen component in the InnoTech Pull frame
- ▶ Plastic bin with sturdy double handle
- ▶ As standard, all bins are supplied without lid
- ▶ Lids must be ordered separately, see below
- ▶ The lid heights specified below are total dimensions, the overlay height for all lids is 2 mm

Page reference:

- ▶ For InnoTech Pull frame, see page 56

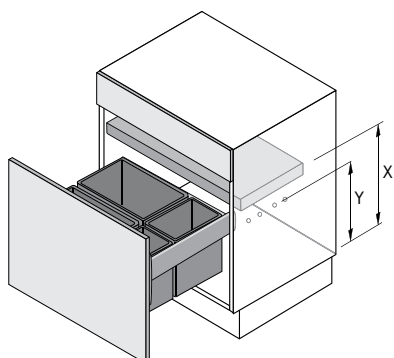
Bin

Article	Material / finish	Width mm	Depth mm	Height mm	Order no.	PU
Bin 8 l	Plastic, anthracite	152	225	295	9 279 390	1 ea.
Bin 11 l	Plastic, anthracite	152	304	295	9 279 391	1 ea.
Bin 17 l	Plastic, anthracite	225	304	295	9 279 392	1 ea.
Bin 29 l	Plastic, anthracite	225	304	460	9 279 393	1 ea.
Bin 40 l	Plastic, anthracite	223	418	505	9 279 394	1 ea.

Lid

Article	Material / finish	Width mm	Depth mm	Height mm	Order no.	PU
Lid 8 l	Plastic, anthracite	152	225	21	9 279 396	1 ea.
Lid 11 l	Plastic, anthracite	152	304	21	9 279 397	1 ea.
Lid 17 / 29 l	Plastic, anthracite	225	304	21	9 279 398	1 ea.
Lid 40 l	Plastic, anthracite	223	418	21	9 279 399	1 ea.

Planning dimensions



Bin height mm	X mm	Y mm
295	395	295
460	560	460
505	605	505

InnoTech Atira double walled drawer system

- ▶ Waste collecting systems behind front panels
- ▶ InnoTech Pull, all-inclusive sets



- ▶ Top running waste collector for InnoTech Atira drawer, height 70 mm
- ▶ The InnoTech Pull frame is fitted instead of the drawer base
- ▶ Frame can be equipped as required with various bins and accessories
- ▶ Please order bin separately
- ▶ InnoTech Atira drawer components must be ordered separately
- ▶ Bin system can be used with Quadro V6 full extension Silent System and Push to open
- ▶ Powder coated steel, anthracite

Set comprises:

- ▶ 1 fitted frame including front stay and lid
- ▶ Bins
- ▶ Fixing material

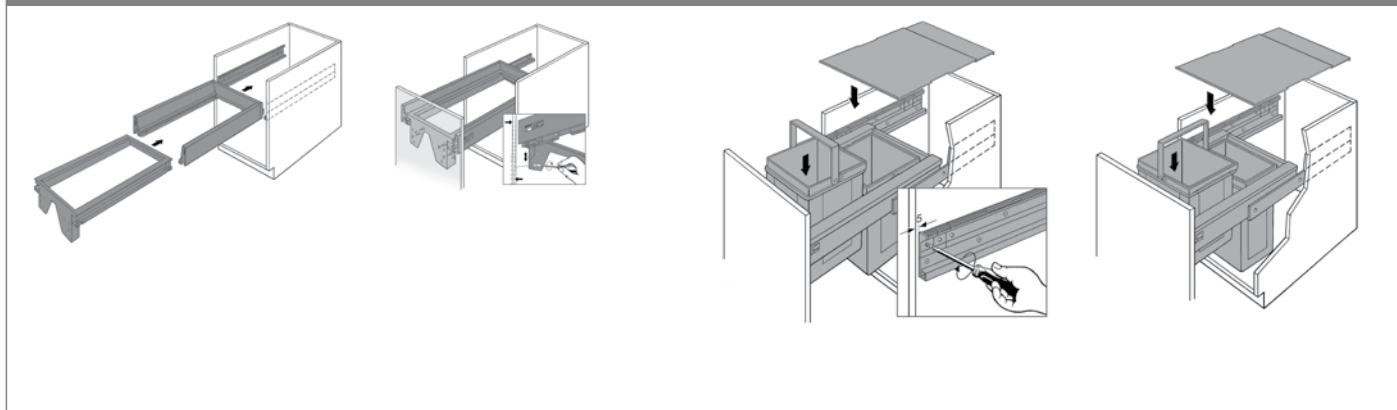
Page reference:

- ▶ For InnoTech Atira drawer components, see pages 10 - 12

InnoTech Pull, all-inclusive sets

For carcase width mm	Capacity bins	Order no.	PU
400	29 l + 8 l	9 304 683	1 set
450	17 l + 17 l	9 304 684	1 set
450	29 l + 29 l	9 304 685	1 set
500	17 l + 17 l	9 304 686	1 set
500	29 l + 29 l	9 304 687	1 set
600	29 l + 29 l + 8 l + 8 l	9 304 688	1 set
600	40 l + 40 l	9 304 689	1 set

Installation



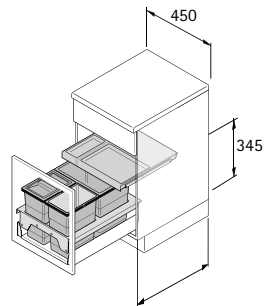
InnoTech Atira double walled drawer system

- ▶ Waste collecting systems behind front panels
- ▶ InsertFlex



- ▶ Can be used in ArciTech pot-and-pan drawers, height 186 mm or 218 mm, nominal length (NL) 500 mm, or InnoTech Atira, height 144 mm or 176 mm, nominal length (NL) 470 mm
- ▶ Installed height 345 mm from upper edge of drawer base
- ▶ The fitted frame is installed on the railing and fixed in place at front panel and drawer base
- ▶ The lid with partial extension runner provides an additional storage area
- ▶ Fitted frame, pull-out lid, bin and lid, grey plastic

InsertFlex 450



ArciTech = NL 500
InnoTech Atira = NL 470

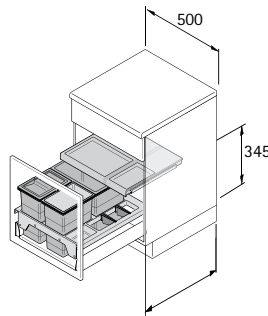
- ▶ For cabinet width 450 mm

Set comprises:

- ▶ 1 fitted frame
- ▶ 1 pull-out lid with runners
- ▶ 1 bin 18L
- ▶ 2 bins, 8L, one of which with lid
- ▶ Fixing material

Order no.	PU
9 207 638	1 set

InsertFlex 500



ArciTech = NL 500
InnoTech Atira = NL 470

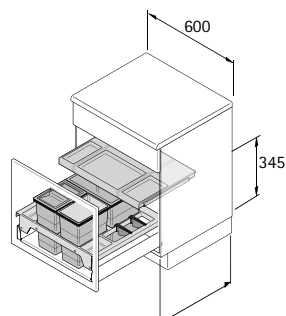
- ▶ For cabinet width 500 mm

Set comprises:

- ▶ 1 fitted frame with storage compartment on right
- ▶ 1 pull-out lid with runners
- ▶ 1 bin 18L
- ▶ 2 bins, 8L, one of which with lid
- ▶ Fixing material and 2 dividers

Order no.	PU
9 207 641	1 set

InsertFlex 600



ArciTech = NL 500
InnoTech Atira = NL 470

- ▶ For cabinet width 600 mm

Set comprises:

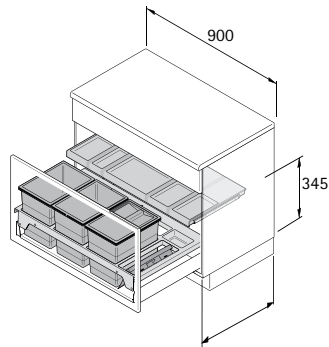
- ▶ 1 fitted frame with 1 storage compartment each on right and left
- ▶ 1 pull-out lid with runners
- ▶ 1 bin 18L
- ▶ 2 bins, 8L, one of which with lid
- ▶ Fixing material and 4 dividers

Order no.	PU
9 207 642	1 set

InnoTech Atira double walled drawer system

- ▶ Waste collecting systems behind front panels
- ▶ InsertFlex

InsertFlex 900



ArciTech = NL 500
InnoTech Atira = NL 470

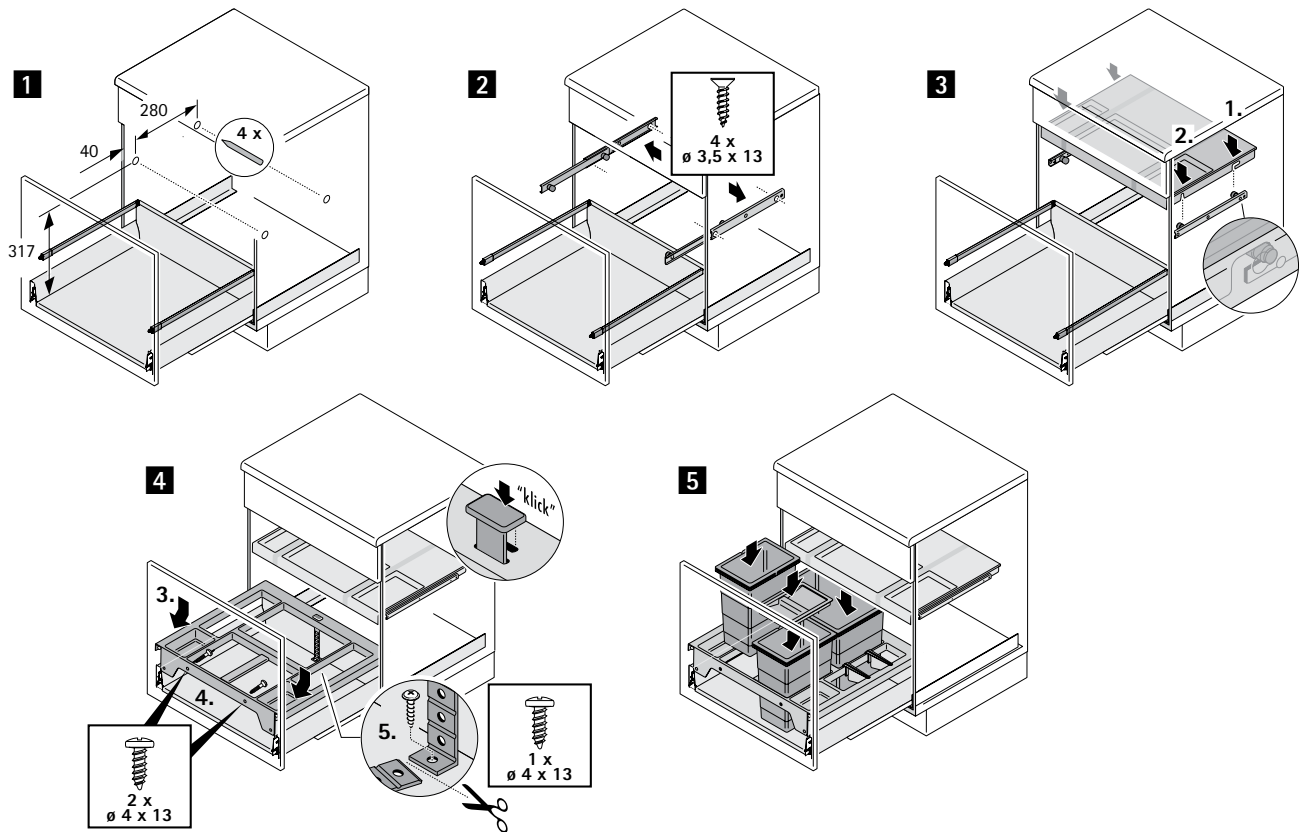
- ▶ For cabinet width 900 mm

Set comprises:

- ▶ 1 fitted frame with 1 storage compartment at rear
- ▶ 1 pull-out lid with runners
- ▶ 2 bins 18L
- ▶ 2 bins, 8L, one of which with lid
- ▶ 1 sweeping set, red plastic
- ▶ Fixing material and 3 dividers

Order no.	PU
9 207 644	1 set

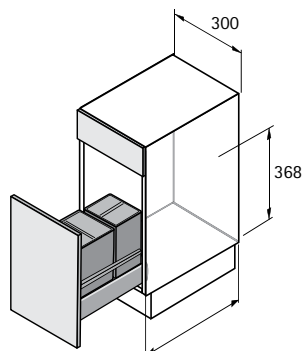
Installation



InnoTech Atira double walled drawer system

- ▶ Waste collecting systems behind front panels
- ▶ Bin.it Vario

Bin.it Vario 300



AvanTech YOU / ArciTech = NL 500
InnoTech Atira = NL 470 / 520

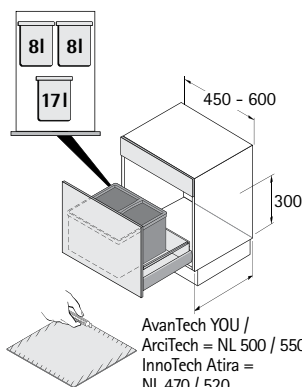
- ▶ For use in pot-and-pan drawer, e.g. InnoTech Atira, nominal length (NL) 470 / 520 mm or for ArciTech, nominal length (NL) 500 mm
- ▶ For cabinet width 300 mm
- ▶ Capacity 25 litres
- ▶ Installed height 312 mm
- ▶ Cut dimensions of insert tray:
max. width 220 mm, max. depth 565 mm
min. width 205 mm, min. depth 400 mm
- ▶ Insert tray, bin and lid, grey plastic

Set comprises:

- ▶ 2 bins with lid 17L + 8L
- ▶ 1 insert tray

Order no.	PU
9 207 645	1 set

Bin.it Vario 450 - 600



AvanTech YOU / ArciTech = NL 500 / 550
InnoTech Atira = NL 470 / 520

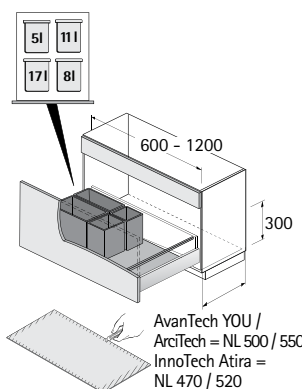
- ▶ For use in pot-and-pan drawer, e.g. InnoTech Atira, nominal length (NL) 470 / 520 mm or for ArciTech, nominal length (NL) 500 mm
- ▶ For cabinet width 450 - 600 mm by cutting the anti-slip insert mat to size
- ▶ Capacity 33 litres
- ▶ Installed height 297 mm
- ▶ Cut dimensions of the insert mat:
max. width 565 mm, max. depth 565 mm
min. width 311 mm, min. depth 456 mm
- ▶ Insert mat, bin and lid, grey plastic

Set comprises:

- ▶ 3 bins with lid 17L + 8L + 8L
- ▶ 1 insert mat

Order no.	PU
9 105 101	1 set

Bin.it Vario 600 - 1200



AvanTech YOU / ArciTech = NL 500 / 550
InnoTech Atira = NL 470 / 520

- ▶ For use in pot-and-pan drawer, e.g. InnoTech Atira, nominal length (NL) 470 / 520 mm or for ArciTech, nominal length (NL) 500 mm
- ▶ For cabinet width 600 - 1200 mm by cutting the anti-slip insert mat to size
- ▶ Capacity 41 litres
- ▶ Installed height 297 mm
- ▶ Cut dimensions of the insert mat:
max. width 1125 mm, max. depth 565 mm
min. width 468 mm, min. depth 456 mm
- ▶ Insert mat, bin and lid, grey plastic

Set comprises:

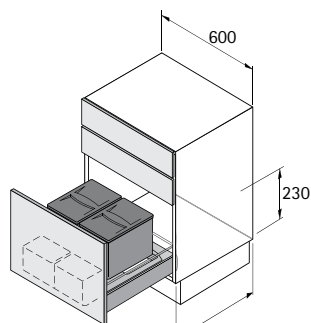
- ▶ 4 bins with lid 17L + 11L + 8L + 5L
- ▶ 1 insert mat

Order no.	PU
9 079 921	1 set

InnoTech Atira double walled drawer system

- ▶ Waste collecting systems behind front panels
- ▶ Bin.it Flex

Bin.it Flex 600



AvanTech YOU /
ArciTech = NL 450 / 500
InnoTech Atira = NL 470

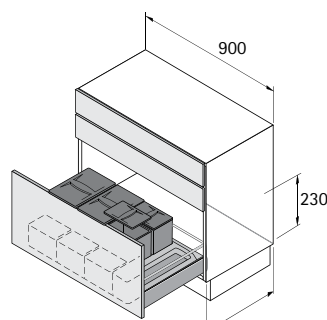
- ▶ For use in pot-and-pan drawer, e.g. ArciTech, nominal length (NL) 450 / 500 mm or for InnoTech Atira, nominal length (NL) 470 mm
- ▶ For cabinet width 600 mm
- ▶ Capacity 24 litres
- ▶ Installed height 230 mm from upper edge of drawer base
- ▶ Insert tray can be cut to size, dimensions for cutting to size: max. width 540 mm, max. depth 490 mm min. width 503 mm, min. depth 422 mm
- ▶ Insert tray, bin and lid, grey plastic
- ▶ Storage trays, translucent plastic

Set comprises:

- ▶ 2 bins with lid 12L + 12L
- ▶ 2 storage trays
- ▶ 1 insert tray

Order no.	PU
9 132 349	1 set

Bin.it Flex 900



AvanTech YOU /
ArciTech = NL 450 / 500
InnoTech Atira = NL 470

- ▶ For use in pot-and-pan drawer, e.g. ArciTech, nominal length (NL) 450 / 500 mm or for InnoTech Atira, nominal length (NL) 470 mm
- ▶ For cabinet width 900 mm
- ▶ Capacity 35 litres
- ▶ Installed height 230 mm from upper edge of drawer base
- ▶ Insert tray can be cut to size, dimensions for cutting to size: max. width 840 mm, max. depth 490 mm min. width 803 mm, min. depth 422 mm
- ▶ Insert tray, bin and lid, grey plastic
- ▶ Storage trays, translucent plastic

Set comprises:

- ▶ 4 bins with lid 12L + 12L + 5.5L + 5.5L
- ▶ 3 storage trays
- ▶ 1 insert tray

Order no.	PU
9 132 350	1 set

InnoTech Atira double walled drawer system

► Replacement bin / lid

► Summary

ArciTech Pull / InnoTech Pull						
Catalogue page	For waste system	For order number	Replacement bin / lid	W x D x H mm	Order no.	PU
122, 124	ArciTech / InnoTech Pull	various	5 l, grey plastic	152 x 152 x 295	9 132 375	1 ea.
122, 124	ArciTech / InnoTech Pull	9 132 375	Lid 5 l, grey, plastic	152 x 152 x 21	9 132 383	1 ea.
122, 124	ArciTech / InnoTech Pull	9 132 375	Lid 5 l, green plastic	152 x 152 x 21	9 132 344	1 ea.
122, 124	ArciTech / InnoTech Pull	various	7 l, grey plastic	152 x 225 x 260	9 132 376	1 ea.
122, 124	ArciTech / InnoTech Pull	various	8 l, grey plastic	152 x 225 x 295	9 132 377	1 ea.
122, 124	ArciTech / InnoTech Pull	9 132 376, 9 132 377	Lid 7 / 8 l, grey, plastic	152 x 225 x 21	9 132 384	1 ea.
122, 124	ArciTech / InnoTech Pull	9 132 376, 9 132 377	Lid 7 / 8 l, green plastic	152 x 225 x 21	9 132 382	1 ea.
122, 124	ArciTech / InnoTech Pull	various	11 l, grey plastic	152 x 304 x 295	9 132 378	1 ea.
122, 124	ArciTech / InnoTech Pull	9 132 378	Lid 11 l, grey, plastic	152 x 304 x 21	9 132 385	1 ea.
122, 124	ArciTech / InnoTech Pull	various	15 l, grey plastic	225 x 304 x 260	9 132 379	1 ea.
122, 124	ArciTech / InnoTech Pull	various	17 l, grey plastic	225 x 304 x 295	9 132 380	1 ea.
122, 124	ArciTech / InnoTech Pull	various	29 l, grey plastic	225 x 304 x 460	9 132 381	1 ea.
122, 124	ArciTech / InnoTech Pull	9 132 379, 9 132 380, 9 132 381	Lid 15 / 17 / 29 l, grey plastic	225 x 304 x 21	9 132 386	1 ea.
122, 124	ArciTech / InnoTech Pull	9 134 772, 9 134 771	42 l, grey plastic	225 x 456 x 495	9 134 859	1 ea.
122, 124	ArciTech / InnoTech Pull	9 134 859	Lid 42 l, grey plastic	225 x 456 x 21	9 134 860	1 ea.

Note: All replacement bins are supplied without lid.

InsertFlex						
Catalogue page	For waste system	For order number	Replacement bin / lid	W x D x H mm	Order no.	PU
126 - 127	InsertFlex	9 207 638, 9 207 641, 9 207 642, 9 207 644	8 l, grey plastic	226 x 156 x 295	9 207 651	1 ea.
126 - 127	InsertFlex	9 207 638, 9 207 641, 9 207 642, 9 207 644	18 l, grey plastic	320 x 226 x 295	9 207 652	1 ea.
126 - 127	InsertFlex	9 207 638, 9 207 641, 9 207 642, 9 207 644	Lid 8 l, grey plastic	226 x 156 x 15	9 207 653	1 ea.

Note: All replacement bins are supplied without lid.

InnoTech Atira double walled drawer system

- ▶ Replacement bin / lid
- ▶ Summary

Bin.it Vario

Catalogue page	For waste system	For order number	Replacement bin / lid	W x D x H mm	Order no.	PU
128	Bin.it Vario	9 079 921	5 l, grey plastic	152 x 152 x 295	9 132 375	1 ea.
128	Bin.it Vario	9 132 375	Lid 5 l, grey plastic	152 x 152 x 21	9 132 383	1 ea.
128	Bin.it Vario	9 132 375	Lid 5 l, green plastic	152 x 152 x 21	9 132 344	1 ea.
128	Bin.it Vario	9 105 101, 9 079 921, 9 207 645	8 l, grey plastic	152 x 225 x 295	9 132 377	1 ea.
128	Bin.it Vario	9 132 377, 9 207 645	Lid 7 / 8 l, grey plastic	152 x 225 x 21	9 132 384	1 ea.
128	Bin.it Vario	9 132 377	Lid 7 / 8 l, green plastic	152 x 225 x 21	9 132 382	1 ea.
128	Bin.it Vario	9 079 921	11 l, grey plastic	152 x 304 x 295	9 132 378	1 ea.
128	Bin.it Vario	9 132 378	Lid 11 l, grey plastic	152 x 304 x 21	9 132 385	1 ea.
128	Bin.it Vario	9 105 101, 9 079 921, 9 207 645	17 l, grey plastic	225 x 304 x 295	9 132 380	1 ea.
128	Bin.it Vario	9 132 380, 9 207 645	Lid 15 / 17 / 29 l, grey plastic	225 x 304 x 21	9 132 386	1 ea.

Note: All replacement bins are supplied without lid.

Bin.it Flex

Catalogue page	For waste system	For order number	Replacement bin / lid	W x D x H mm	Order no.	PU
129	Bin.it Flex	9 132 350	5.5 l, grey plastic	155 x 223 x 230	9 136 188	1 ea.
129	Bin.it Flex	9 132 349, 9 132 350	12 l, grey plastic	310 x 223 x 230	9 136 187	1 ea.

Note: All replacement bins are supplied without lid.

InnoTech Atira double walled drawer system

► Laundry basket pull-out InnoTech Pull Laundry



- Laundry basket pull-out for InnoTech Atira drawers, height 70 mm
- For nominal length (NL) 470 mm
- For carcass width 600 mm
- The InnoTech Pull Laundry frame is fitted instead of a drawer bottom panel
- Including two removable laundry baskets with handles
- InnoTech Atira drawer components must be ordered separately
- Frame, powder coated, silver
- Laundry baskets, white plastic

InnoTech Pull Laundry



Set comprises:

- 1 fitted frame including front stay

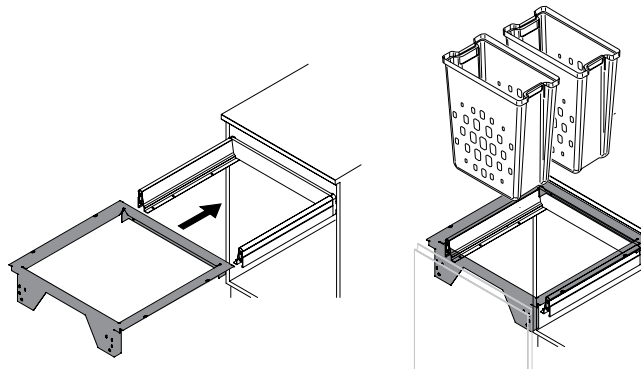
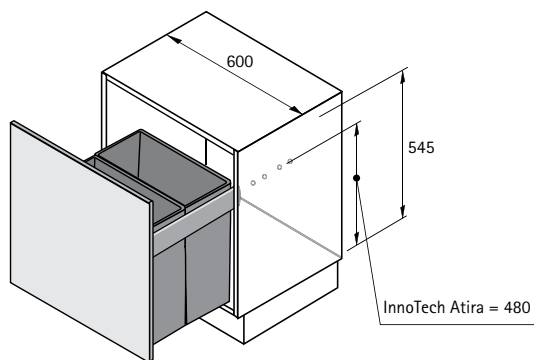
- 2 laundry baskets, 40L each
- Fixing material

Page reference:

- For InnoTech Atira drawer components, see pages 14 - 16

Order no.	PU
9 207 636	1 set

Planning dimensions



InnoTech Atira double walled drawer system

- ▶ Assembly aids and drilling jigs
- ▶ Summary



Assembly aids for drawers

67



Drilling jigs and hole marking jigs

68

InnoTech Atira double walled drawer system

- ▶ Assembly aids for drawers
- ▶ InnoFit / InnoFit Atira

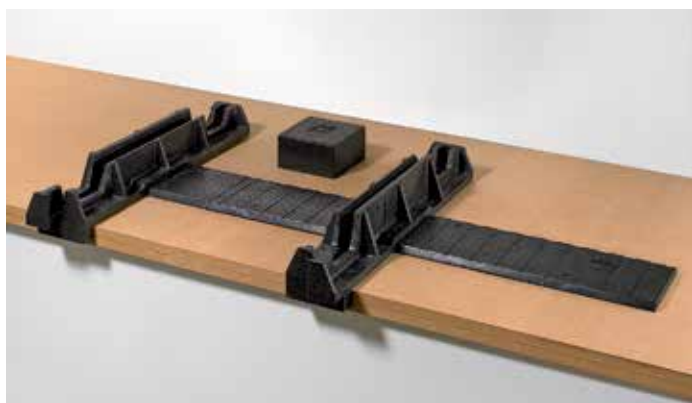
InnoFit 300



- ▶ For assembling InnoTech / InnoTech Atira drawers and pot-and-pan drawers
- ▶ Manual component positioning, pneumatic pressing
- ▶ All settings can be made without the need for tools
- ▶ Air pressure 6 - 8 bar / 100 psi
- ▶ Capacity: up to 65 drawers an hour
- ▶ Metal frame

Order no.	PU
9 019 743	1 ea.

InnoFit 100



- ▶ For assembling InnoTech / InnoTech Atira drawers and pot-and-pan drawers
- ▶ Manual component positioning and assembling
- ▶ All settings can be made without the need for tools
- ▶ Capacity: up to 15 drawers an hour

Order no.	PU
0 045 555	1 ea.

Assembly jig InnoTech Atira wooden rear panel



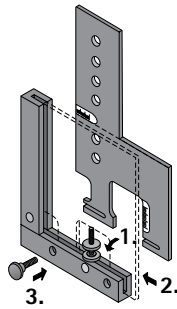
- ▶ For installing ArciTech / InnoTech / InnoTech Atira wooden and aluminium rear panels
- ▶ Manual component positioning and assembling
- ▶ All settings can be made without the need for tools

Order no.	PU
9 184 693	1 ea.

InnoTech Atira double walled drawer system

- ▶ Drilling jigs and hole marking jigs
- ▶ Face angle application, Practica and sleeve drills

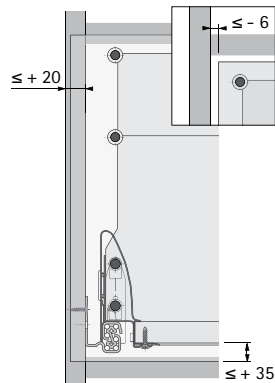
Face angle application



- ▶ Face angle application for combination with Practica drilling jig for InnoTech Atira
- ▶ Aluminium

Order no.	PU
0 078 093	1 ea.

Practica for InnoTech



- ▶ For fitting the front panel connector for
 - InnoTech Atira drawer / pot-and-pan drawer
- ▶ Adjustment range
 - Side front panel overlay: up to - 6 mm, up to + 20 mm
 - Front panel height: up to + 35 mm from bottom edge of base
- ▶ Aluminium
- ▶ Please order sleeve drill accessories separately

Page reference:

- ▶ For accessory sleeve drill, see below

Order no.	PU
0 013 392	1 ea.

Sleeve drill



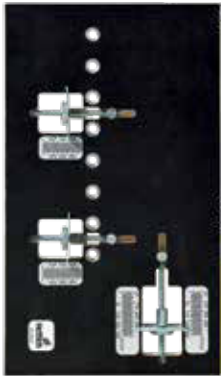
- ▶ Minimal drill wear as the drill bit does not come into contact with the jig
- ▶ Precision drill bit guidance through sleeve
- ▶ Adjustable drill depth stop
- ▶ Can be used with Accura, Practica, Lift Advanced drilling jigs

Diameter mm	Order no.	PU
3	0 078 095	1 ea.
10	0 078 096	1 ea.

InnoTech Atira double walled drawer system

- ▶ Drilling jigs and hole marking jigs
- ▶ Practica 200

Practica 200 fo InnoTech Atira



- ▶ For fitting the front panel connector
- ▶ Plywood
- ▶ Hardened steel drilling bushes for 10 mm drill bits with depth setting ring
- ▶ Adjustment range
 - Side front panel overlay: up to -6 mm, up to +20 mm
 - Front panel height: up to +35 mm from bottom edge of base

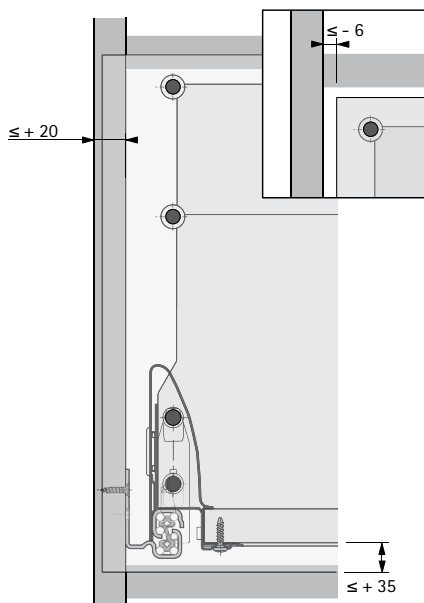
Order no.	PU
9 162 018	1 ea.

Planning Dimension

<http://www.hettich.com/short/5b9550>



InnoTech Atira



InnoTech Atira double walled drawer system

- ▶ Drilling jigs and hole marking jigs
- ▶ BlueJig IT and EB drilling jig

BlueJig IT

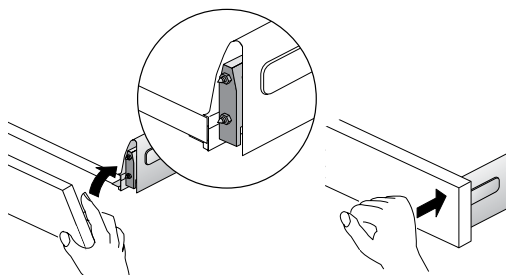


- ▶ For marking the holes for fitting InnoTech / InnoTech Atira drawer front connector
- ▶ Plastic / steel

Set comprises:

- ▶ 2 BlueJig IT

Order no.	PU
0 078 097	1 set



Insert hole marking jig
in drawer profile

Align front panel
and mark drilling
pattern

EB drilling jig



- ▶ Drilling jig for drilling positions for attaching InnoTech side stabiliser (order no. 9 079 333)
- ▶ Plastic, white

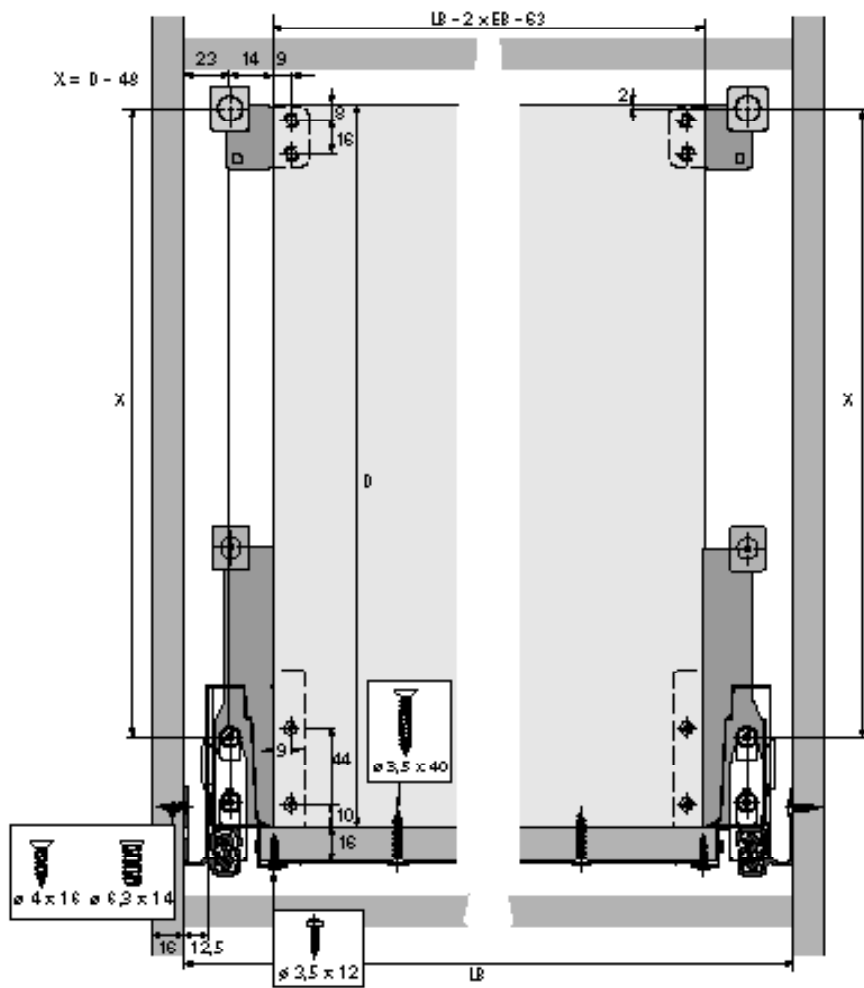
Installed width mm	Order no.	PU
12,5	9 080 311	1 ea.

Installation, Adjustments and Technical Information

InnoTech Atira double walled drawer system

- ▶ Pot-and-pan drawer with railing, customised rear panel height
- ▶ Technical information

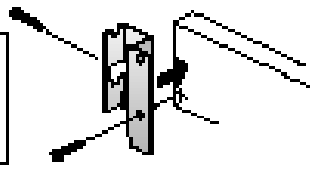
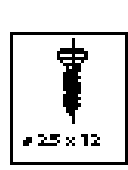
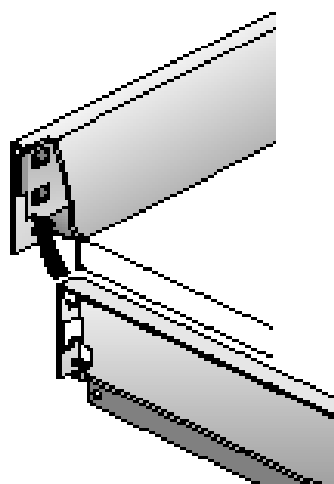
Planning dimensions



InnoTech Atira double walled drawer system

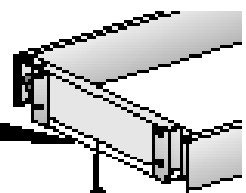
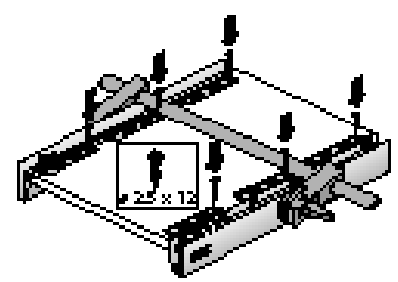
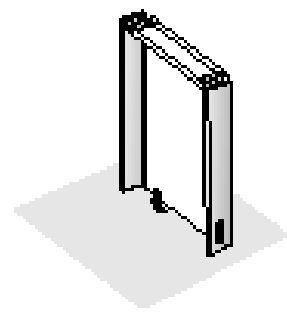
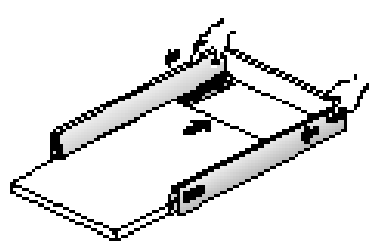
► Installation, adjustment, removal

Assembling drawer, height 54 mm



InnoFit 300

<http://www.hettich.com/direct/3d/219>

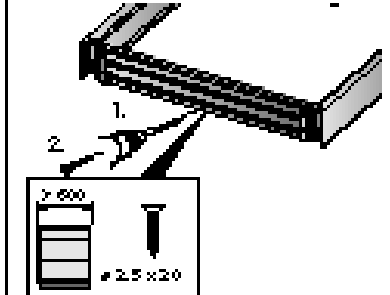
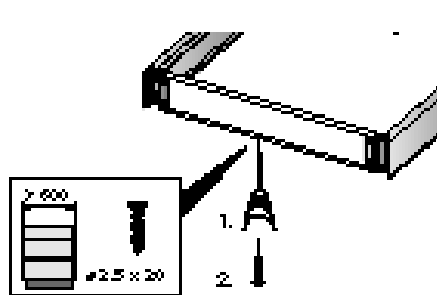
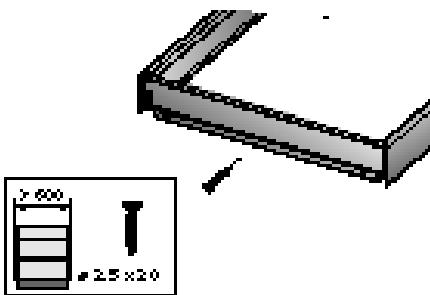
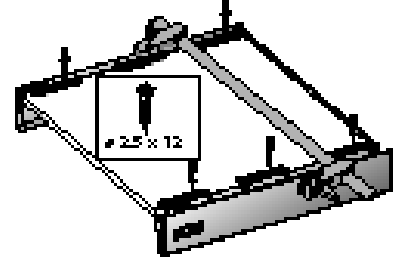
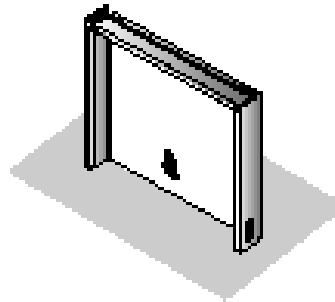
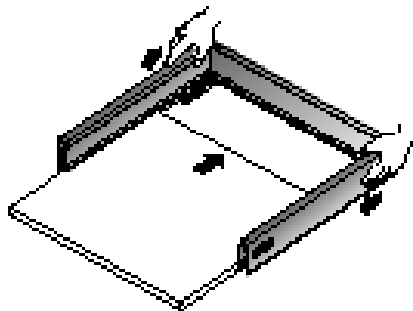
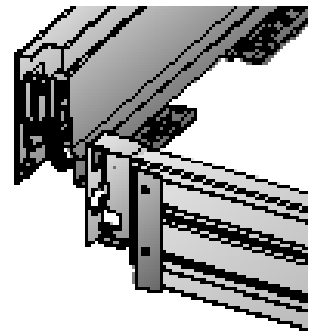
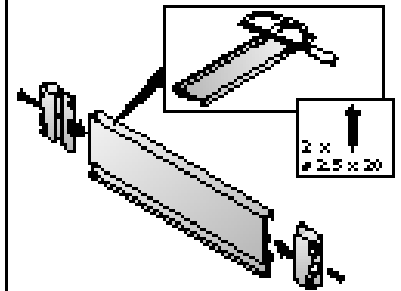
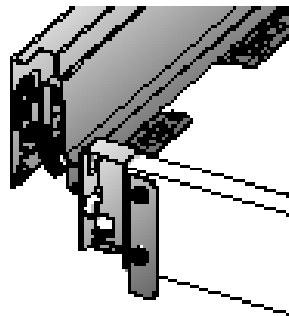
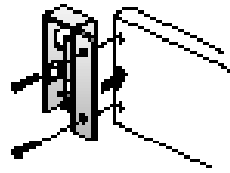
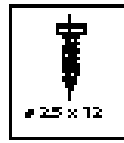
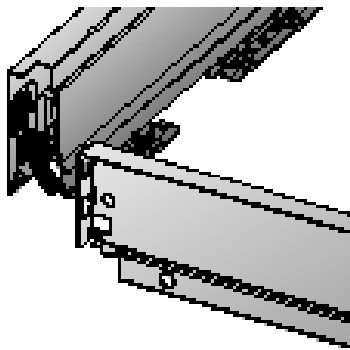


- 1.
- 2.

InnoTech Atira double walled drawer system

► Installation, adjustment, removal

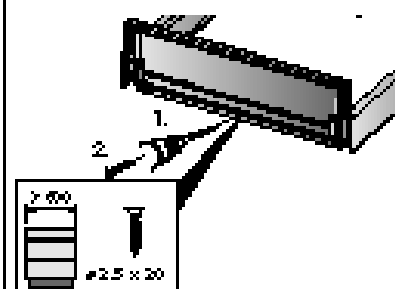
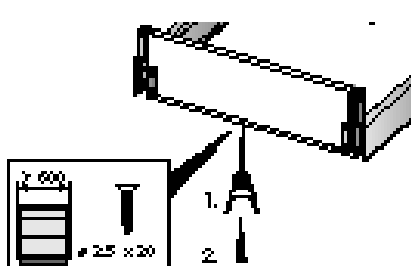
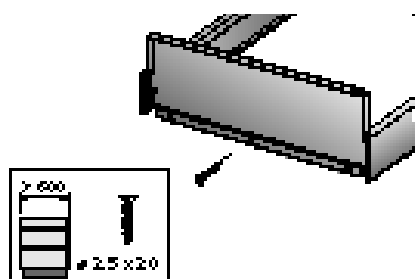
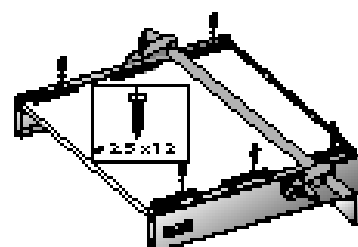
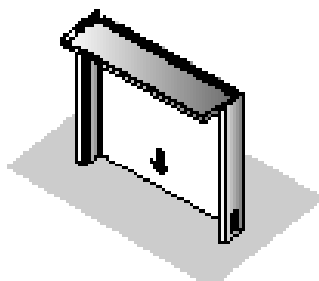
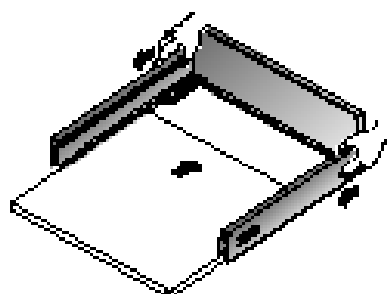
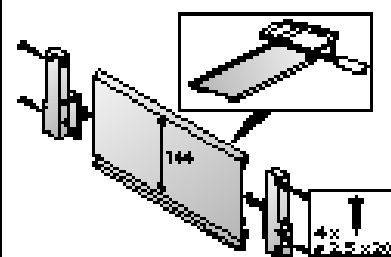
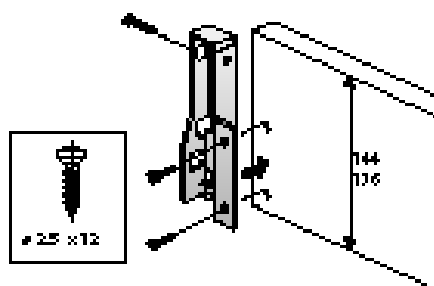
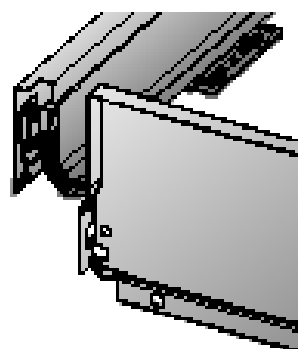
Assembling drawer, height 70 mm



InnoTech Atira double walled drawer system

► Installation, adjustment, removal

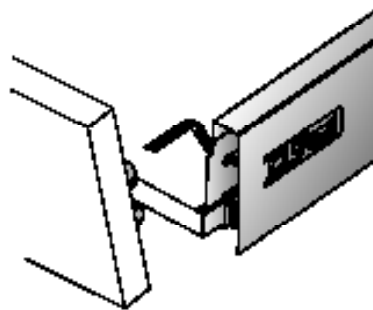
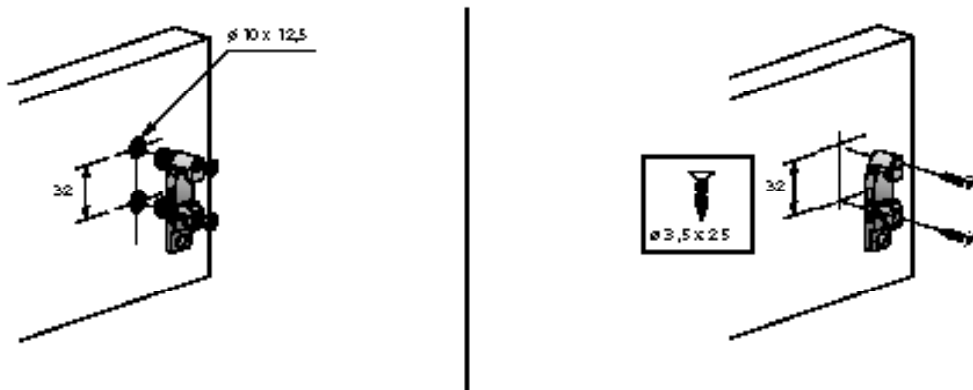
Assembling pot-and-pan drawer, height 144 mm / 176 mm



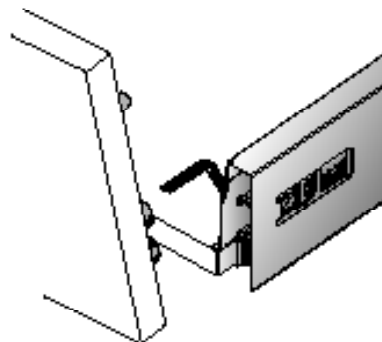
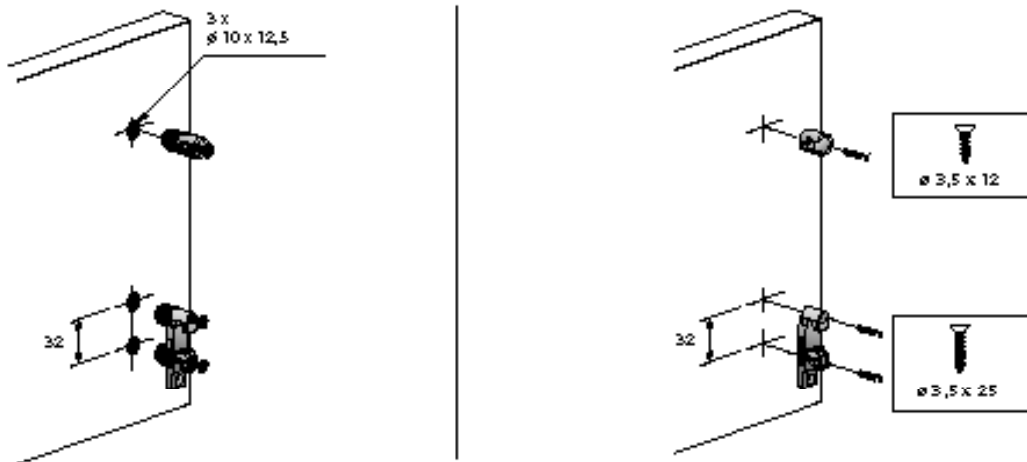
InnoTech Atira double walled drawer system

► Installation, adjustment, removal

Installing front panel, drawer, height 54 mm / 70 mm



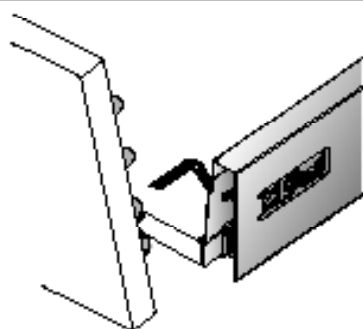
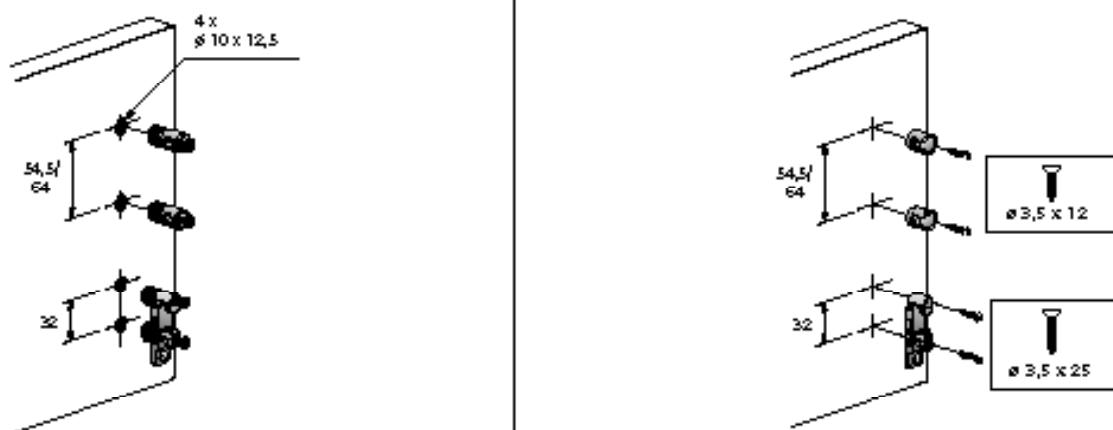
Installing front panel, pot-and-pan drawer with railing, height 144 mm / 176 mm



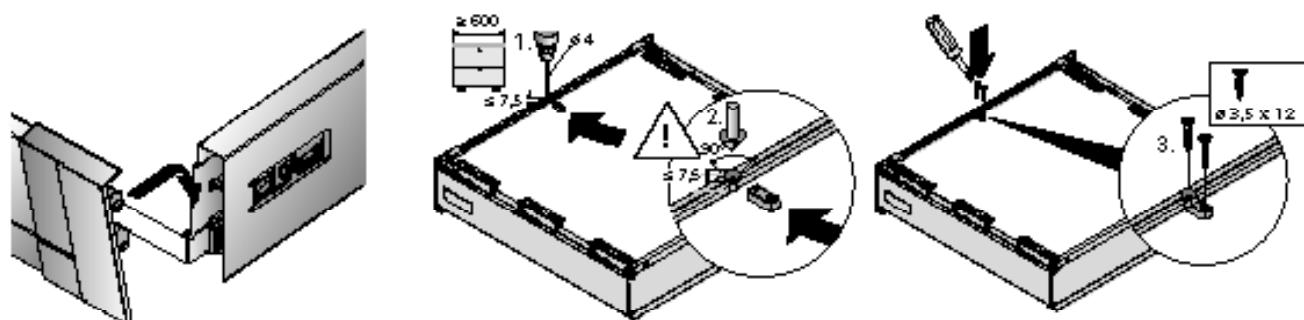
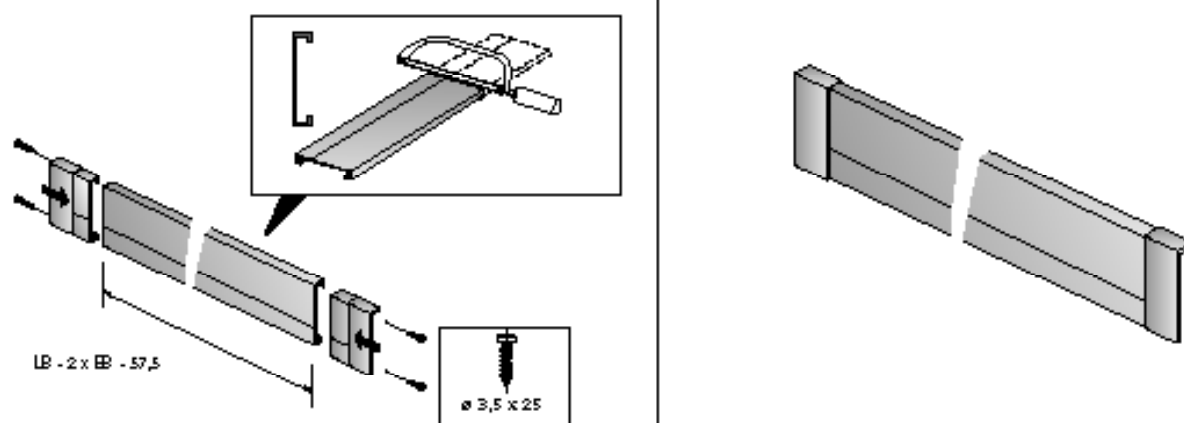
InnoTech Atira double walled drawer system

► Installation, adjustment, removal

Installing front panel, pot-and-pan drawer with double railing, height 176 mm



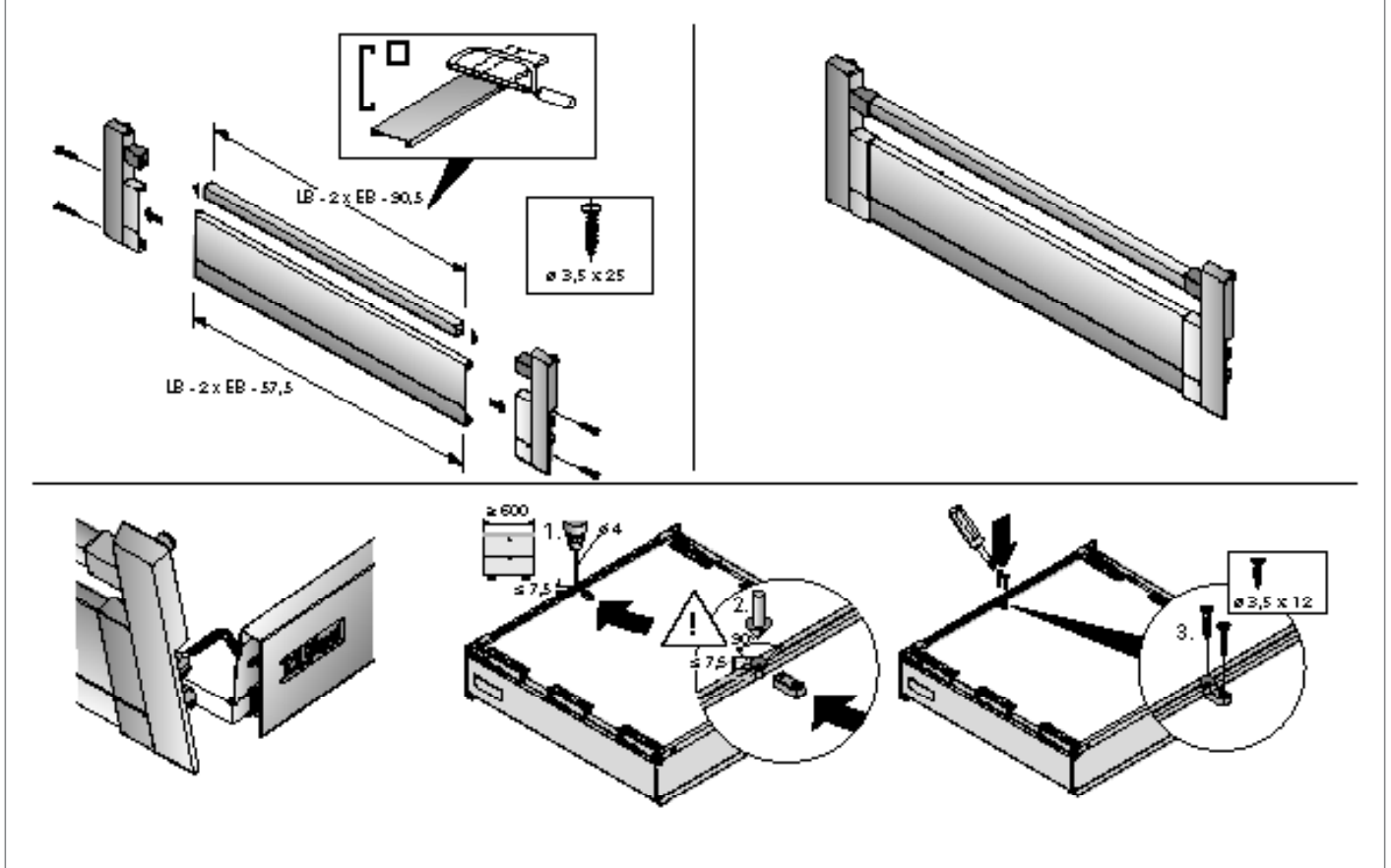
Installing front panel, internal drawer 100, height 70 mm



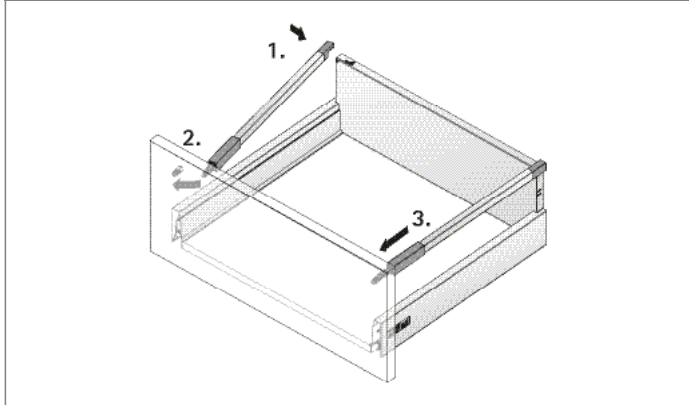
InnoTech Atira double walled drawer system

► Installation, adjustment, removal

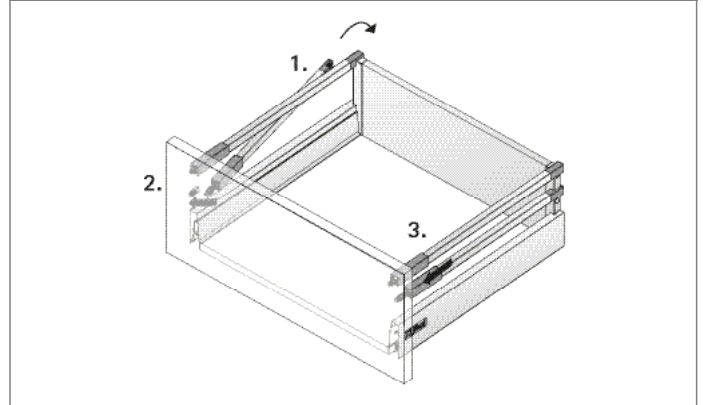
Installing front panel, internal pot-and-pan drawer 100 with railing, height 144 mm



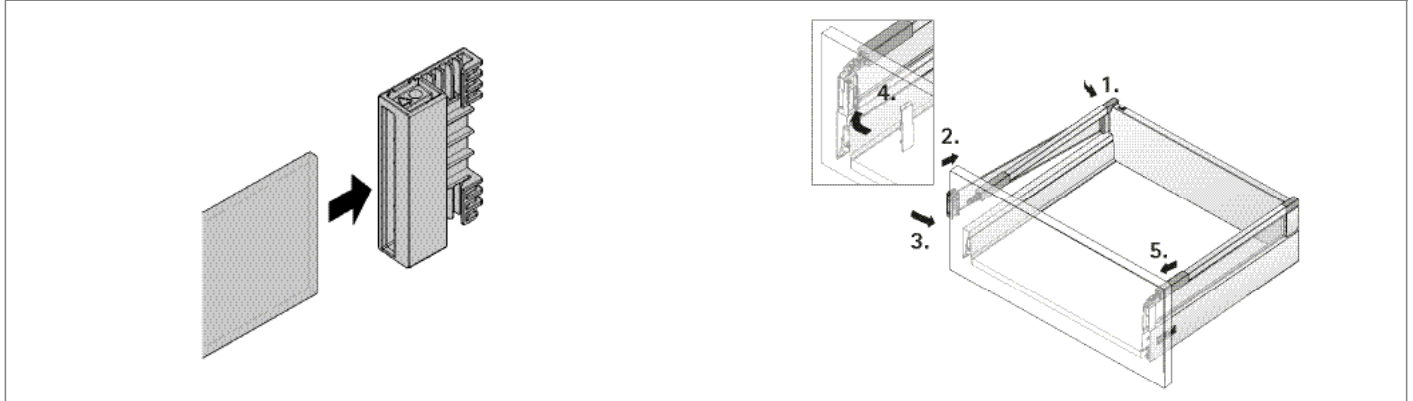
Installing lengthwise railing



Installing double railing, height 176 mm



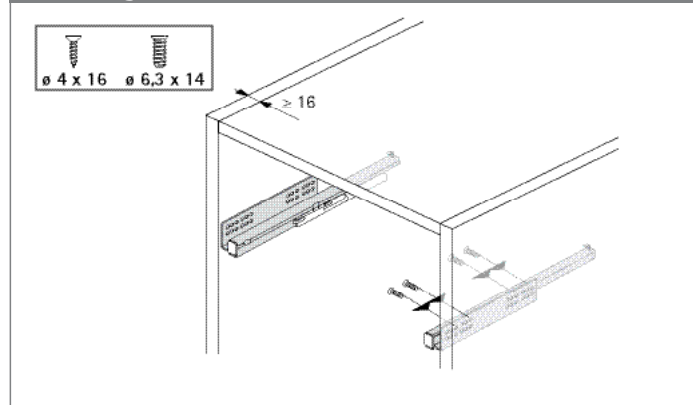
Installing TopSide



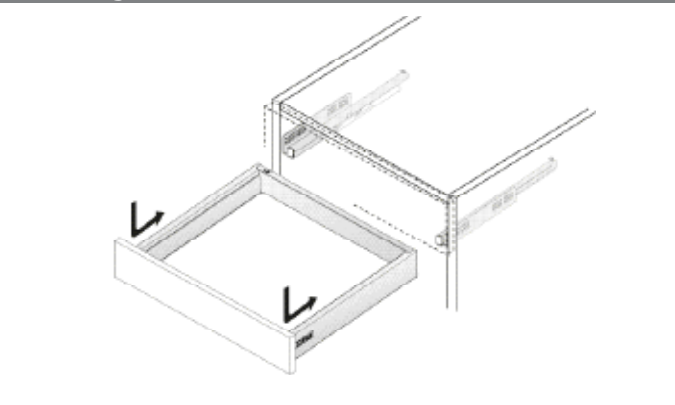
InnoTech Atira double walled drawer system

► Installation, adjustment, removal

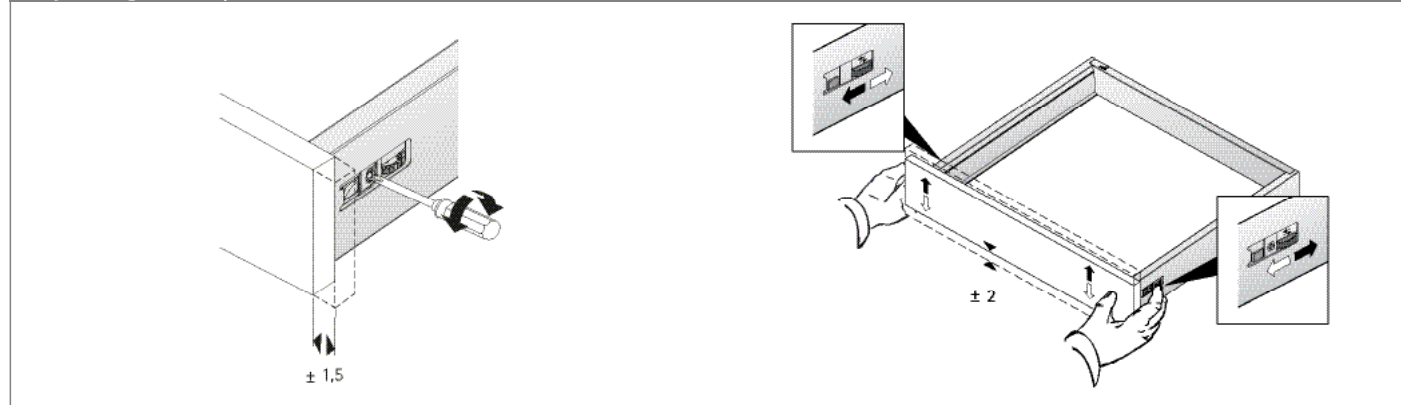
Installing Quadro drawer runner



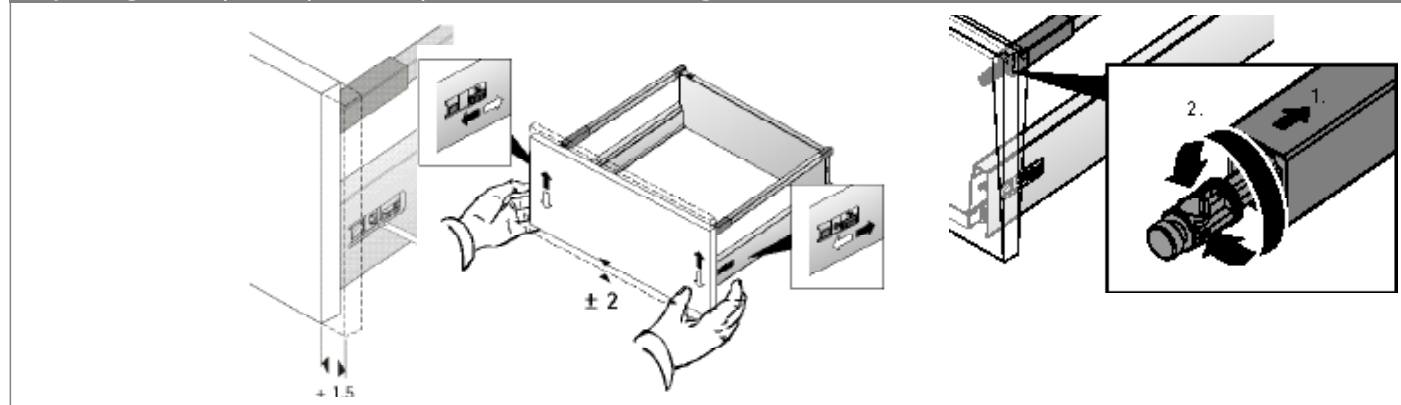
Installing drawer



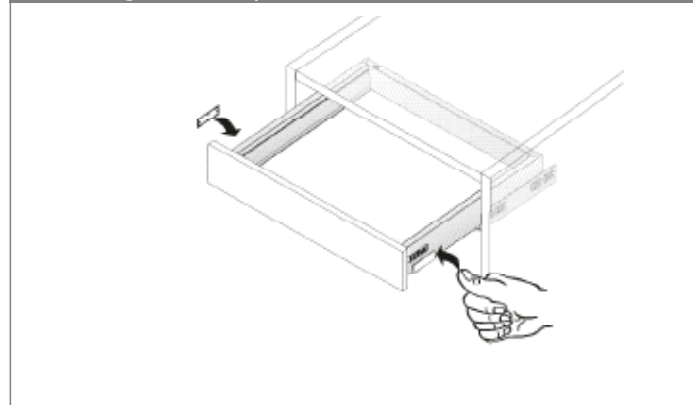
Adjusting front panel, drawer



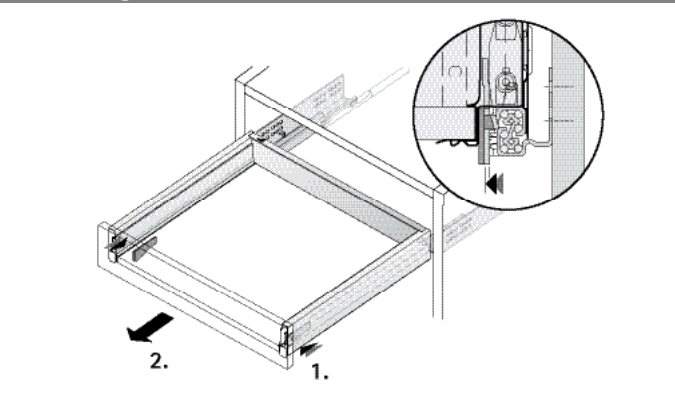
Adjusting front panel, pot-and-pan drawer with railing



Installing cover cap



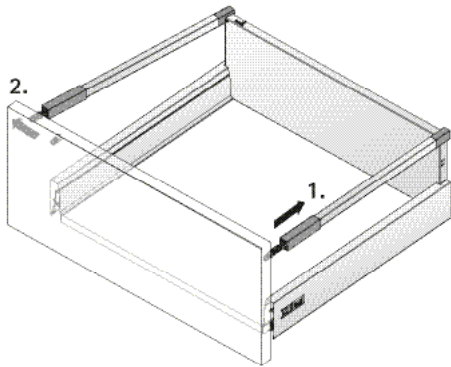
Removing drawer



InnoTech Atira double walled drawer system

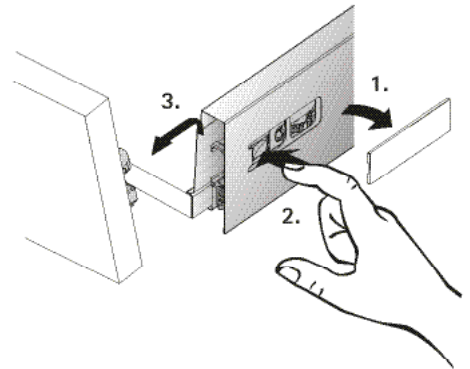
► Installation, adjustment, removal

Removing railing

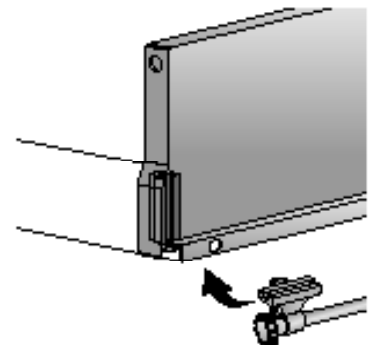
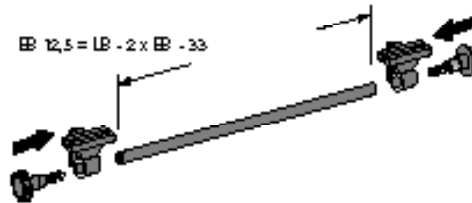
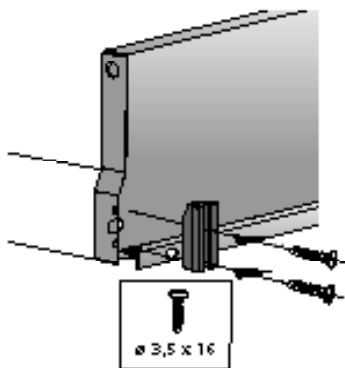
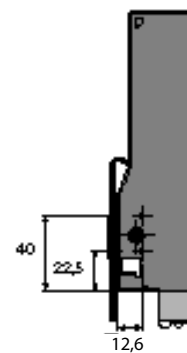
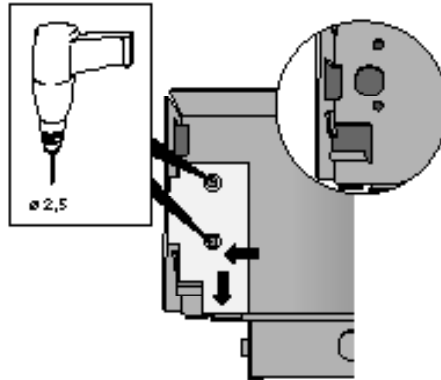
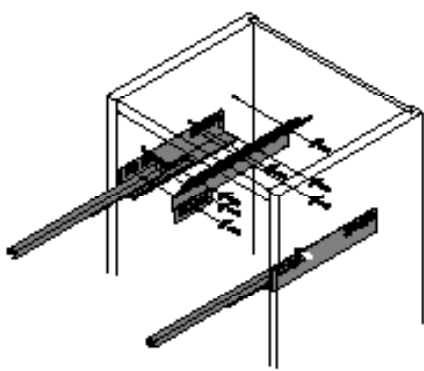


Removing front panel

Drawer
Pot-and-pan drawer
Internal drawer 100
Internal pot-and-pan drawer 100



Installing side stabiliser



Drawer systems

► Quality criteria

Quality that meets all the demands

The quality of the drawer systems is monitored continuously. Hettich fittings comply with the national and international quality standards of the markets our customers operate in. The diagrams below show some of the tests Hettich fittings are required to pass.

Application

Hettich drawer systems are suitable for use in living room, kitchen, bathroom and office furniture both in the home and business environment.

Load capacity and pull-out guard

The load capacity (to DIN EN 15338) stated in the catalogue is understood to mean the weight of the drawer itself including front panel and contents in kg. The applicable level is shown on the product. Load capacity relates to a reference length of 500 mm. The load capacity may vary for other nominal lengths. All Hettich drawer

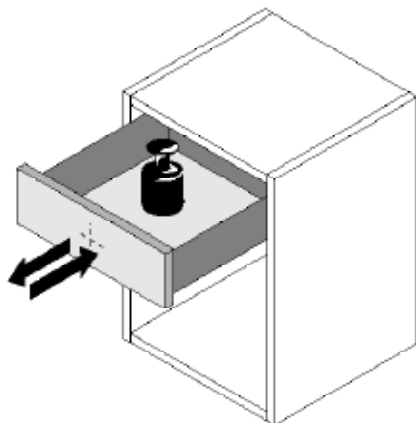
systems feature guards to prevent the drawer from rolling out and being removed unintentionally and meet the requirements of the impact test in a test frame to EN 15338. Fitted in the proper manner, the drawer systems are suitable for furniture defined in EN 14749. The maximum front panel height is governed in particular by material, drawer size and drawer runner. Testing is conducted on drawers with a 130 mm front panel height and pot-and-pan drawers with a 300 mm front panel height. We will be pleased to provide any further information you may require.

Corrosion test

Hettich runner systems satisfy the requirements on corrosion defined in EN 15338, 72-hour condensation water test to EN 6270.

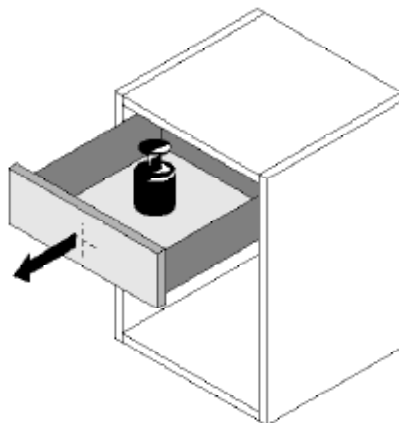
Wear test

The fully laden drawer must remain in proper working order after a defined number of opening and closing operations at a defined test velocity.



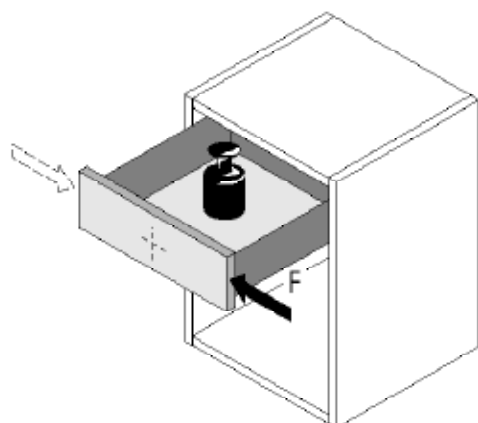
Retention-on-opening test

The fully laden drawer is abruptly opened all the way several times at a defined test velocity.



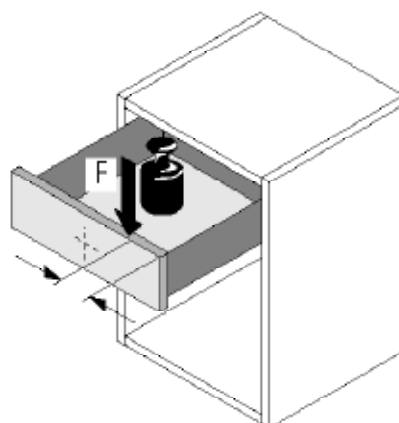
Horizontal load test

Opened all the way, the fully laden drawer is additionally exposed to horizontal strain with a defined lateral force.



Vertical strain test

Opened all the way, the drawer is additionally exposed to vertical strain with a defined eccentric force.



Order number index

Order no.	Page	Order no.	Page	Order no.	Page	Order no.	Page	Order no.	Page
0 010 085	42	9 117 995	32	9 194 391	15	9 194 414	11	9 194 549	16
0 013 392	68	9 117 997	32	9 194 391	19	9 194 414	15	9 194 549	20
0 013 952	42	9 118 013	30	9 194 392	11	9 194 414	19	9 194 614	23
0 025 048	43	9 118 014	30	9 194 392	15	9 194 415	11	9 194 614	48
0 044 934	50	9 118 016	30	9 194 392	19	9 194 415	15	9 194 615	23
0 045 167	42	9 118 018	30	9 194 393	11	9 194 415	19	9 194 615	48
0 045 168	42	9 118 019	30	9 194 393	15	9 194 416	11	9 194 617	48
0 045 555	67	9 118 020	30	9 194 393	19	9 194 416	15	9 194 618	48
0 051 265	42	9 118 054	30	9 194 394	11	9 194 416	19	9 194 619	48
0 072 120	43	9 118 055	30	9 194 394	15	9 194 417	11	9 194 620	48
0 074 430	50	9 126 345	32	9 194 394	19	9 194 417	15	9 194 623	9
0 078 093	68	9 126 346	32	9 194 395	11	9 194 417	19	9 194 624	9
0 078 095	68	9 126 347	32	9 194 395	15	9 194 432	9	9 194 627	12
0 078 096	68	9 126 348	32	9 194 395	19	9 194 433	9	9 194 628	12
0 078 097	70	9 132 344	63	9 194 396	11	9 194 522	16	9 194 635	16
1 061 450	9	9 132 344	64	9 194 396	15	9 194 522	20	9 194 636	16
1 061 450	12	9 132 349	62	9 194 396	19	9 194 523	16	9 194 639	20
1 061 450	17	9 132 350	62	9 194 397	11	9 194 523	20	9 194 640	20
1 061 450	21	9 132 375	63	9 194 397	15	9 194 524	16	9 194 643	9
1 061 965	17	9 132 375	64	9 194 397	19	9 194 524	20	9 194 643	12
1 061 965	21	9 132 376	63	9 194 398	11	9 194 525	16	9 194 643	16
1 062 501	12	9 132 377	63	9 194 398	15	9 194 525	20	9 194 643	20
1 062 502	12	9 132 377	64	9 194 398	19	9 194 526	16	9 194 644	9
1 063 801	9	9 132 378	63	9 194 399	11	9 194 526	20	9 194 644	12
1 063 802	9	9 132 378	64	9 194 399	15	9 194 527	16	9 194 644	16
1 065 191	9	9 132 379	63	9 194 399	19	9 194 527	20	9 194 644	20
1 065 191	12	9 132 380	63	9 194 400	11	9 194 528	16	9 194 646	9
1 065 191	17	9 132 380	64	9 194 400	15	9 194 528	20	9 194 646	12
1 065 191	21	9 132 381	63	9 194 400	19	9 194 529	16	9 194 646	16
9 002 503	17	9 132 382	63	9 194 401	11	9 194 529	20	9 194 646	20
9 002 503	21	9 132 382	64	9 194 401	15	9 194 530	16	9 194 647	9
9 003 473	9	9 132 383	63	9 194 401	19	9 194 530	20	9 194 647	12
9 003 474	9	9 132 383	64	9 194 402	11	9 194 531	16	9 194 647	16
9 005 931	47	9 132 384	63	9 194 402	15	9 194 531	20	9 194 647	20
9 007 355	16	9 132 384	64	9 194 402	19	9 194 532	16	9 194 649	9
9 007 356	16	9 132 385	63	9 194 403	11	9 194 532	20	9 194 649	12
9 019 743	67	9 132 385	64	9 194 403	15	9 194 533	16	9 194 649	16
9 027 831	20	9 132 386	63	9 194 403	19	9 194 533	20	9 194 649	20
9 027 832	20	9 132 386	64	9 194 404	11	9 194 534	16	9 194 650	9
9 079 207	50	9 134 859	63	9 194 404	15	9 194 534	20	9 194 650	12
9 079 232	41	9 134 860	63	9 194 404	19	9 194 535	16	9 194 650	16
9 079 298	43	9 136 187	64	9 194 405	11	9 194 535	20	9 194 650	20
9 079 333	40	9 136 188	64	9 194 405	15	9 194 536	16	9 194 652	9
9 080 311	40	9 143 503	32	9 194 405	19	9 194 536	20	9 194 652	12
9 080 311	70	9 143 504	32	9 194 406	11	9 194 537	16	9 194 652	16
9 101 300	30	9 143 505	32	9 194 406	15	9 194 537	20	9 194 652	20
9 101 301	30	9 143 506	32	9 194 406	19	9 194 538	16	9 194 653	9
9 104 107	23	9 153 385	52	9 194 407	11	9 194 538	20	9 194 653	12
9 104 107	23	9 153 387	52	9 194 407	15	9 194 539	16	9 194 653	16
9 105 101	61	9 153 388	52	9 194 407	19	9 194 539	20	9 194 653	20
9 105 101	61	9 158 954	28	9 194 408	11	9 194 540	16	9 194 657	17
9 115 820	30	9 158 955	28	9 194 408	15	9 194 540	20	9 194 658	17
9 115 821	30	9 158 956	28	9 194 408	19	9 194 541	16	9 194 660	21
9 116 754	30	9 158 957	28	9 194 409	11	9 194 541	20	9 194 661	21
9 116 775	30	9 158 958	28	9 194 409	15	9 194 542	16	9 194 663	17
9 116 789	30	9 158 959	28	9 194 409	19	9 194 542	20	9 194 664	17
9 116 790	30	9 158 960	28	9 194 410	11	9 194 543	16	9 194 665	17
9 117 473	30	9 158 961	28	9 194 410	15	9 194 543	20	9 194 666	17
9 117 474	30	9 162 018	69	9 194 410	19	9 194 544	16	9 194 667	17
9 117 490	30	9 182 230	49	9 194 411	11	9 194 544	20	9 194 668	17
9 117 501	30	9 182 230	49	9 194 411	15	9 194 545	16	9 194 669	17
9 117 782	23	9 182 233	49	9 194 411	19	9 194 545	20	9 194 670	21
9 117 871	30	9 182 249	49	9 194 412	11	9 194 546	16	9 194 671	21
9 117 872	30	9 184 693	67	9 194 412	15	9 194 546	20	9 194 672	21
9 117 988	30	9 194 390	11	9 194 412	19	9 194 547	16	9 194 673	21
9 117 991	30	9 194 390	15	9 194 413	11	9 194 547	20	9 194 674	21
9 117 993	32	9 194 390	19	9 194 413	15	9 194 548	16	9 194 675	21
9 117 994	32	9 194 391	11	9 194 413	19	9 194 548	20	9 194 676	21

Order number index

Order no.	Page	Order no.	Page	Order no.	Page	Order no.	Page
9 194 677	17	9 194 940	45	9 214 723	25	9 216 549	11
9 194 678	17	9 194 942	45	9 214 724	25	9 216 550	11
9 194 679	17	9 194 949	45	9 214 725	25	9 216 551	11
9 194 680	17	9 194 950	45	9 214 726	25	9 216 552	11
9 194 681	17	9 194 951	45	9 214 727	24	9 216 553	15
9 194 682	17	9 194 952	45	9 214 728	24	9 216 554	15
9 194 683	17	9 194 953	45	9 214 729	24	9 216 555	15
9 194 684	17	9 194 954	45	9 214 730	24	9 216 556	15
9 194 685	17	9 194 955	45	9 216 479	11	9 216 557	15
9 194 686	17	9 194 956	45	9 216 480	11	9 216 558	15
9 194 687	17	9 194 957	45	9 216 481	11	9 216 559	15
9 194 688	17	9 194 958	45	9 216 482	11	9 216 560	19
9 194 689	17	9 194 960	45	9 216 483	11	9 216 561	19
9 194 690	17	9 194 962	45	9 216 484	11	9 216 562	19
9 194 698	21	9 194 963	45	9 216 485	15	9 216 563	19
9 194 699	21	9 194 964	45	9 216 486	15	9 216 564	19
9 194 700	21	9 194 965	45	9 216 497	15	9 216 565	19
9 194 701	21	9 194 966	45	9 216 498	15	9 216 566	19
9 194 702	21	9 194 967	45	9 216 499	15	9 219 965	34
9 194 703	21	9 194 968	45	9 216 500	15	9 219 966	34
9 194 704	21	9 194 969	45	9 216 501	19	9 221 295	34
9 194 705	21	9 194 970	45	9 216 502	19	9 221 295	38
9 194 706	21	9 194 971	45	9 216 503	19	9 235 838	23
9 194 707	21	9 194 973	45	9 216 504	19	9 236 718	34
9 194 708	21	9 196 348	23	9 216 505	19	9 236 718	38
9 194 709	21	9 196 348	23	9 216 506	19	9 240 161	38
9 194 710	21	9 204 201	47	9 216 507	11	9 240 162	38
9 194 711	21	9 204 229	47	9 216 508	11	9 240 163	38
9 194 764	23	9 204 230	47	9 216 509	11	9 240 164	38
9 194 765	23	9 204 282	53	9 216 510	11	9 243 709	36
9 194 867	49	9 204 283	53	9 216 511	11	9 243 712	36
9 194 868	49	9 206 256	17	9 216 512	11	9 243 715	36
9 194 886	47	9 206 257	17	9 216 513	15	9 243 718	36
9 194 887	47	9 207 242	46	9 216 514	15	9 243 721	36
9 194 888	47	9 207 243	46	9 216 515	15	9 243 724	36
9 194 889	47	9 207 243	46	9 216 516	15	9 243 727	36
9 194 891	47	9 207 245	46	9 216 517	15	9 243 730	36
9 194 892	47	9 207 636	65	9 216 518	15	9 243 733	36
9 194 893	47	9 207 638	59	9 216 519	19	9 243 778	36
9 194 894	47	9 207 641	59	9 216 520	19	9 243 781	36
9 194 897	47	9 207 642	59	9 216 521	19	9 243 784	36
9 194 898	47	9 207 644	60	9 216 522	19	9 243 787	36
9 194 899	47	9 207 645	61	9 216 523	19	9 262 213	38
9 194 900	47	9 207 651	63	9 216 524	19	9 279 390	57
9 194 902	47	9 207 652	63	9 216 525	11	9 279 391	57
9 194 903	47	9 207 653	63	9 216 526	11	9 279 392	57
9 194 904	47	9 209 533	50	9 216 527	11	9 279 393	57
9 194 905	47	9 209 536	50	9 216 528	11	9 279 394	57
9 194 918	45	9 209 568	50	9 216 529	11	9 279 396	57
9 194 919	45	9 209 572	50	9 216 530	11	9 279 397	57
9 194 920	45	9 209 574	50	9 216 531	11	9 279 398	57
9 194 921	45	9 209 575	50	9 216 532	15	9 279 399	57
9 194 922	45	9 214 707	25	9 216 533	15	9 279 409	56
9 194 923	45	9 214 708	25	9 216 534	15	9 279 410	56
9 194 924	45	9 214 709	25	9 216 535	15	9 279 411	56
9 194 925	45	9 214 710	25	9 216 536	15	9 279 412	56
9 194 926	45	9 214 711	25	9 216 537	15	9 279 413	56
9 194 927	45	9 214 712	25	9 216 538	15	9 279 414	56
9 194 929	45	9 214 713	25	9 216 539	19	9 304 683	58
9 194 931	45	9 214 714	25	9 216 540	19	9 304 684	58
9 194 932	45	9 214 715	25	9 216 541	19	9 304 685	58
9 194 933	45	9 214 716	25	9 216 542	19	9 304 686	58
9 194 934	45	9 214 717	25	9 216 543	19	9 304 687	58
9 194 935	45	9 214 718	25	9 216 544	19	9 304 688	58
9 194 936	45	9 214 719	25	9 216 545	19	9 304 689	58
9 194 937	45	9 214 720	25	9 216 546	11		
9 194 938	45	9 214 721	25	9 216 547	11		
9 194 939	45	9 214 722	25	9 216 548	11		





General technical conditions

The fitting information, screw fixing points and load capacity information contained in this document assume proper attachment using screws specified by Hettich to a chipboard panel providing a screw pull out resistance of at least 1,000 N in accordance with EN 320.

Hettich accepts no responsibility for the load capacity of furniture and its components if materials or fastening methods are used other than those stated; the furniture manufacturer must verify load capacity.

The fitting situations show in this catalogue are only intended to illustrate the possible options. The furniture manufacturer is responsible for ensuring that furniture is designed in compliance with standards, in particular with regard to meeting the requirements on safety.

We will be pleased to provide any further information you may require.

General Terms of Sale and Delivery

All products and services will be provided exclusively on the basis of our General Terms of Sale and Delivery published on our website at www.hettich-agb.com.

Legal notice

© Hettich Marketing- und Vertriebs GmbH & Co. KG
32602 Vlotho, Germany

September 2021

We reserve all rights to this catalogue under copyright law. It shall not be permissible to duplicate this catalogue in any form either in whole or in part without our written consent. Subject to technical alterations. Errors and omissions excepted. Subject to colour variations.